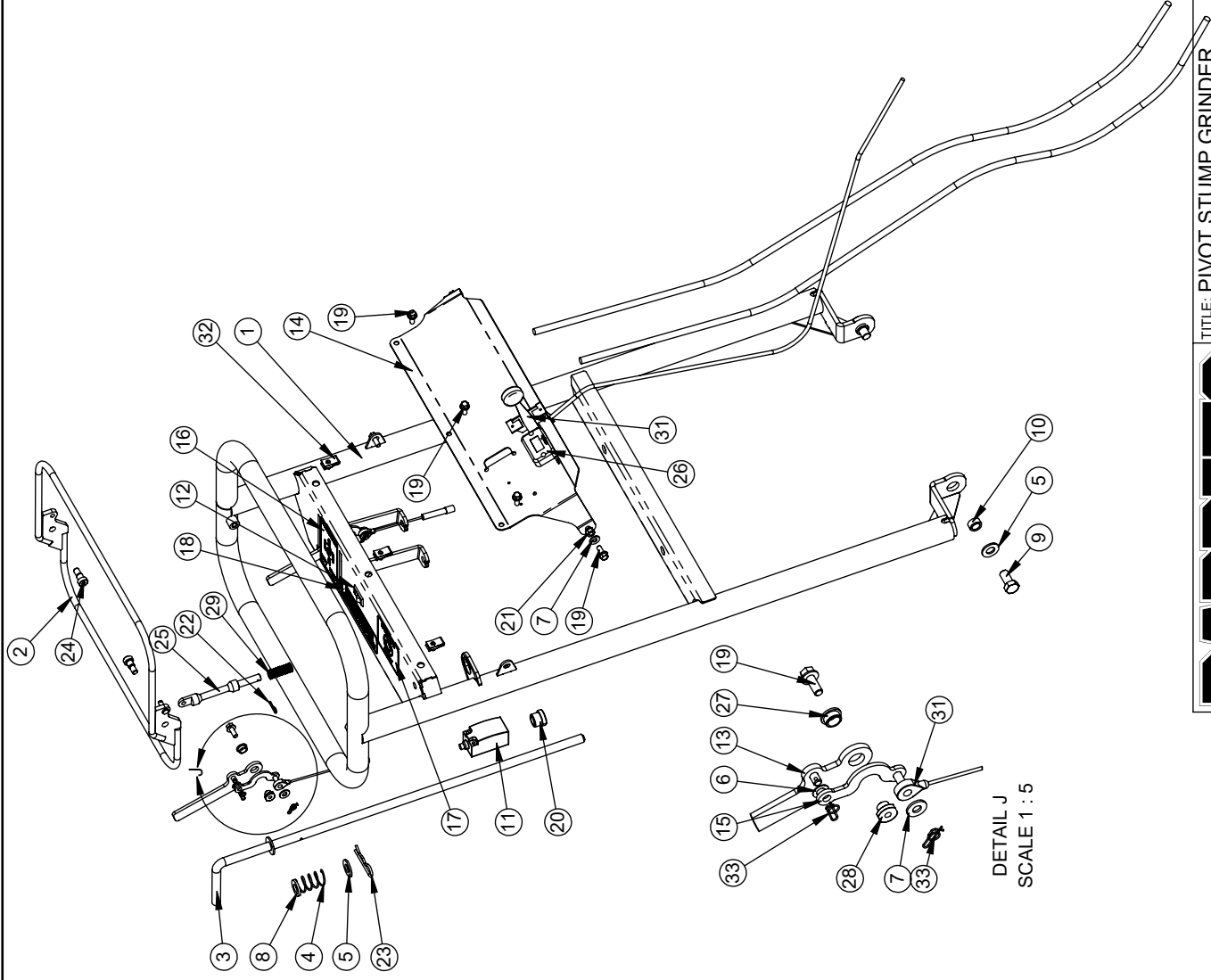


| ITEM NO. | PART NUMBER | DESCRIPTION | QTY. |
|----------|-------------|---|------|
| 1 | 14007 | PIVOT SG UPRIGHT | 1 |
| 2 | 14014 | SWITCH BAIL | 1 |
| 3 | 14015 | UPRIGHT LOCK PIN | 1 |
| 4 | 03352 | SPRING, CENTURY 3385 | 1 |
| 5 | 05102 | WASHER, 1/2 SAE ZINC HARDENED | 3 |
| 6 | 03029-03 | WASHER, 1/4 NYLON | 1 |
| 7 | 05081 | WASHER, 1/4 SAE ZINC | 4 |
| 8 | 10469 | THRUST WASHER, .500 X 1.000 X .125 NYLATRON | 1 |
| 9 | 05067 | HH CAP SCREW, 1/2-13 NC X 1 G5 ZINC | 2 |
| 10 | 14029 | PIVOT BUSHING | 2 |
| 11 | 14030 | EATON MOELLER LS-S11S | 1 |
| 12 | 06420 | ROCKER SWITCH, IGNITION OFF/ON | 1 |
| 13 | 14031 | BRAKE LEVER | 2 |
| 14 | 14040 | COVER PLATE | 1 |
| 15 | 14044 | CABLE LINK | 2 |
| 16 | 14048 | WHEEL LOCK DECAL | 1 |
| 17 | 14049 | ADJUSTMENT BAR DECAL | 1 |
| 18 | 14050 | OPERATION DECAL | 1 |
| 19 | 05069 | WHIZ-LOCK 1/4 - 20 X 5/8 | 8 |
| 20 | 14051 | SWITCH BOLT | 1 |
| 21 | 05096 | NUT, NYLOCK, 1/4-20 NC ZINC | 2 |
| 22 | 05310 | HAIR SPRING COTTER #2 | 1 |
| 23 | 05142 | HAIR SPRING COTTER #8 | 1 |
| 24 | 05111 | SHSB, 3/8S X 3/8SL X 5/16 NC, BK OX | 2 |
| 25 | 14034 | SWITCH ROD | 1 |
| 26 | 03009 R1 | HOUR METER, WITH FLASH ALERT | 1 |
| 27 | 11291 | BUSHING, IGUS MFI-0608-04 | 2 |
| 28 | 14067 | LEVER PIVOT | 2 |
| 29 | 14055 | SPRING - CENTURY 10700 | 1 |
| 30 | 14035 | BRAKE CABLE | 2 |
| 31 | 03535 | THROTTLE CABLE | 1 |
| 32 | 05365 | CLIP NUT, 1/4-20 | 3 |
| 33 | 05038 | RUE RING COTTER #8 | 4 |

1 HONDA THROTTLE CABLE PN: 03515T



DETAIL J
SCALE 1 : 5

BARRETO

TITLE: PIVOT STUMP GRINDER

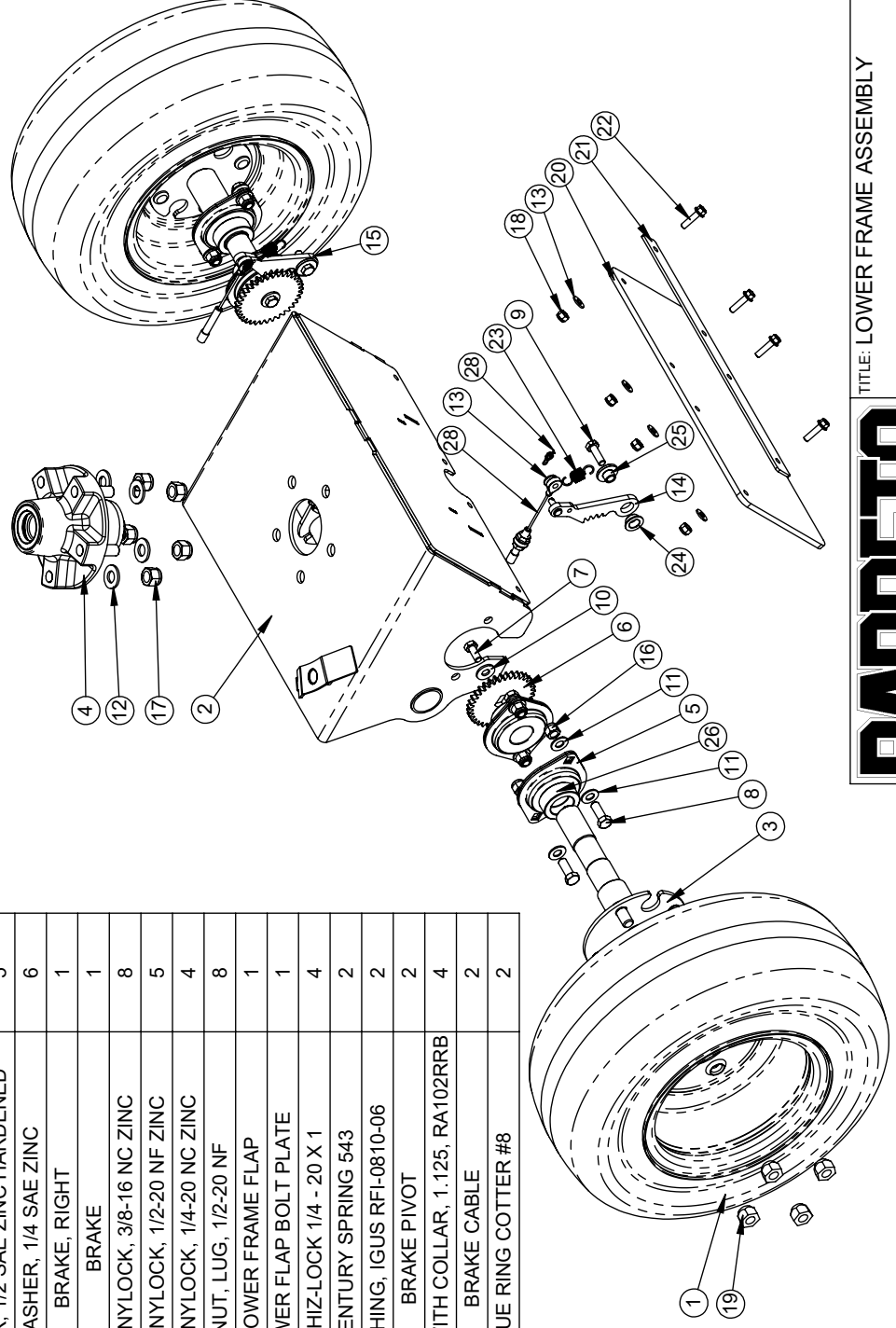
PRODUCT LINE:

SCALE: 1:10

SHEET 7 OF 7

DWG# 00750

| ITEM NO. | PART NUMBER | DESCRIPTION | QTY. |
|----------|-------------|--|------|
| 1 | 14003 | TURF SAVER II TIRE | 2 |
| 2 | 14001 | WHEEL FRAME | 1 |
| 3 | 14004 | PIVOT SG AXLE | 2 |
| 4 | 03804 | WHEEL HUB, 5 ON 4.5 BC | 1 |
| 5 | 03283 | BEARING FLANGE SET | 4 |
| 6 | 14045 | BRAKE PLATE | 2 |
| 7 | 05247 | HH CAP SCREW, 5/16-18 NC X 3/4 G5 ZINC | 2 |
| 8 | 05059 | HH CAP SCREW, 3/8-16 NC X 1 G5 ZINC | 8 |
| 9 | 05315 | HH CAP SCREW, 5/16-18 NC X 1 G5 ZINC | 2 |
| 10 | 10615 | WASHER, 5/16 USS ZINC | 2 |
| 11 | 05101 | WASHER, 3/8 SAE ZINC | 16 |
| 12 | 05102 | WASHER, 1/2 SAE ZINC HARDENED | 5 |
| 13 | 05081 | WASHER, 1/4 SAE ZINC | 6 |
| 14 | 14041R | BRAKE, RIGHT | 1 |
| 15 | 14041 | BRAKE | 1 |
| 16 | 05073 | NUT, NYLOCK, 3/8-16 NC ZINC | 8 |
| 17 | 05075 | NUT, NYLOCK, 1/2-20 NF ZINC | 5 |
| 18 | 05096 | NUT, NYLOCK, 1/4-20 NC ZINC | 4 |
| 19 | 05042 | NUT, LUG, 1/2-20 NF | 8 |
| 20 | 14047 | LOWER FRAME FLAP | 1 |
| 21 | 14054 | LOWER FLAP BOLT PLATE | 1 |
| 22 | 05368 | WHIZ-LOCK 1/4 - 20 X 1 | 4 |
| 23 | 14056 | CENTURY SPRING 543 | 2 |
| 24 | 10100 | BUSHING, IGUS RFI-0810-06 | 2 |
| 25 | 14065 | BRAKE PIVOT | 2 |
| 26 | 03306 | BEARING WITH COLLAR, 1.125, RA102RRB | 4 |
| 27 | 14035 | BRAKE CABLE | 2 |
| 28 | 05038 | RUE RING COTTER #8 | 2 |



BARRETO

TITLE: LOWER FRAME ASSEMBLY

PRODUCT LINE:

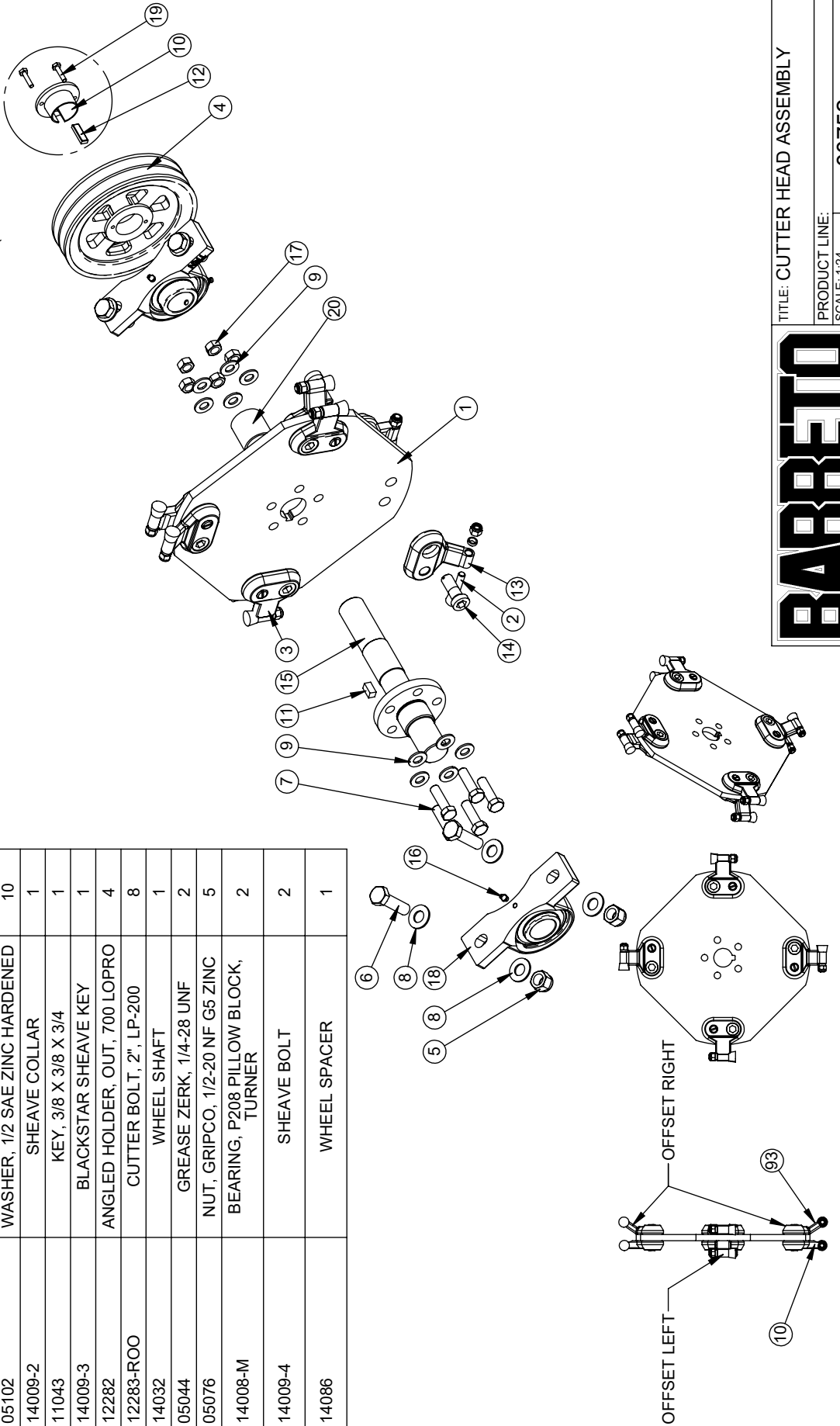
SCALE: 1:8

SHEET 3 OF 7

DWG# 00751

| ITEM NO. | PART NUMBER | DESCRIPTION | QTY. |
|----------|-------------|---|------|
| 1 | 14010 | CUTTER WHEEL | 1 |
| 2 | 12280 | CUT TOOTH, 700 LOPRO GREEN | 8 |
| 3 | 12281 | STRAIGHT HOLDER, 700 LOPRO | 4 |
| 4 | 14009-1 | BLACKSTAR 2BK80H SHEAVE | 1 |
| 5 | 05099 | NUT, NYLOCK, 5/8-11 NC ZINC | 4 |
| 6 | 05332 | HH CAP SCREW, 5/8-11 NC X 2-1/4 G5 ZINC | 4 |
| 7 | 10257 | HH CAP SCREW, 1/2-20 NF X 1-3/4 G5 ZINC | 5 |
| 8 | 05272 | WASHER, 5/8 SAE ZINC HARDENED | 8 |
| 9 | 05102 | WASHER, 1/2 SAE ZINC HARDENED | 10 |
| 10 | 14009-2 | SHEAVE COLLAR | 1 |
| 11 | 11043 | KEY, 3/8 X 3/8 X 3/4 | 1 |
| 12 | 14009-3 | BLACKSTAR SHEAVE KEY | 1 |
| 13 | 12282 | ANGLED HOLDER, OUT, 700 LOPRO | 4 |
| 14 | 12283-ROO | CUTTER BOLT, 2", LP-200 | 8 |
| 15 | 14032 | WHEEL SHAFT | 1 |
| 16 | 05044 | GREASE ZERK, 1/4-28 UNF | 2 |
| 17 | 05076 | NUT, GRIPCO, 1/2-20 NF G5 ZINC | 5 |
| 18 | 14008-M | BEARING, P208 PILLOW BLOCK, TURNER | 2 |
| 19 | 14009-4 | SHEAVE BOLT | 2 |
| 20 | 14086 | WHEEL SPACER | 1 |

(PARTS INCLUDED WITH SHEAVE)



BARRETO

TITLE: CUTTER HEAD ASSEMBLY

PRODUCT LINE:

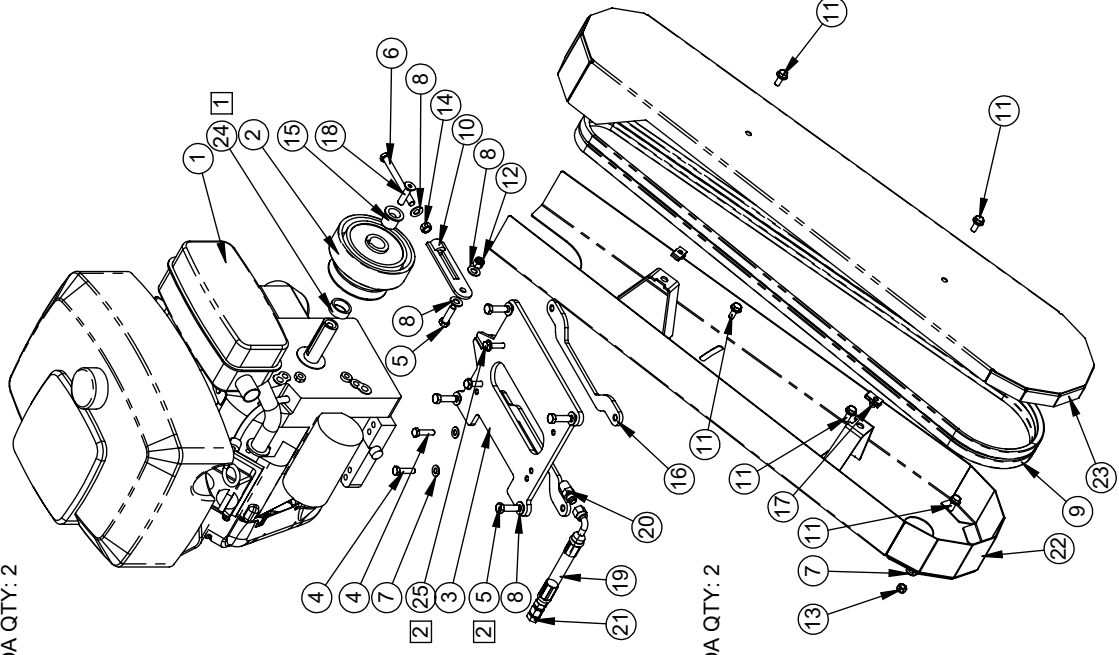
SCALE: 1:24

SHEET 4 OF 7

DWG# 00752

| ITEM NO. | PART NUMBER | DESCRIPTION | QTY. |
|----------|-------------|---|------|
| 1 | 07001 | ENGINE, 16 HP B&S | 1 |
| 2 | 14012 | NORAM 180009 CLUTCH | 1 |
| 3 | 14016 | ENGINE TENSION PLATE | 1 |
| 4 | 05297 | HH CAP SCREW, 5/16-18 NC X 1-1/4 G5 ZINC | 3 |
| 5 | 05091 | HH CAP SCREW, 3/8-16 NC X 1-1/4 G5 ZINC | 5 |
| 6 | 14079 | HH CAP SCREW, 3/8-16 NC X 4 G5 ZINC FULL THREAD | 1 |
| 7 | 05068 | WASHER, 5/16 SAE ZINC | 5 |
| 8 | 05101 | WASHER, 3/8 SAE ZINC | 7 |
| 9 | 14018 | ARAMAX BK74 BELT | 2 |
| 10 | 14027 | ENGINE TENSIONER | 1 |
| 11 | 05140 | WHIZ-LOCK 5/16 - 18 X 3/4 | 5 |
| 12 | 05073 | NUT, NYLOCK, 3/8-16 NC ZINC | 1 |
| 13 | 05273 | NUT, NYLOCK, 5/16-18 NC ZINC | 1 |
| 14 | 10928 | NUT, 3/8-16 NC GRB PLAIN | 1 |
| 15 | 14060 | ENGINE SHAFT SPACER | 1 |
| 16 | 14066 | ENGINE NUT BAR | 2 |
| 17 | 05359 | CLIP NUT, 5/16-18 | 2 |
| 18 | 14058 | FLAT SOCKET CAP SCREW 3/8-24 X 1-1/2" | 1 |
| 19 | 12340T | HOSE, CYLINDER VALVE - RETURN JCT | 1 |
| 20 | 10863 | HYD ADAPTER 2404-6-6 | 1 |
| 21 | 04539 | FITTING, 2408-6 | 1 |
| 22 | 14023 R1 | INSIDE BELT COVER | 1 |
| 23 | 14028 R1 | BELT COVER | 1 |
| 24 | 14057 | CLUTCH SPACER | 1 |
| 25 | 05294 | HH CAP SCREW, 5/16-18 NC X 1-1/2 G5 ZINC | 1 |

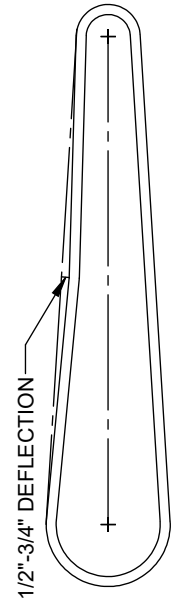
2 HONDA QTY: 2



2 HONDA QTY: 2

1 HONDA SHAFT SPACER PN: 14078

V-BELT TENSION



TITLE: ENGINE-BELT ASSEMBLY

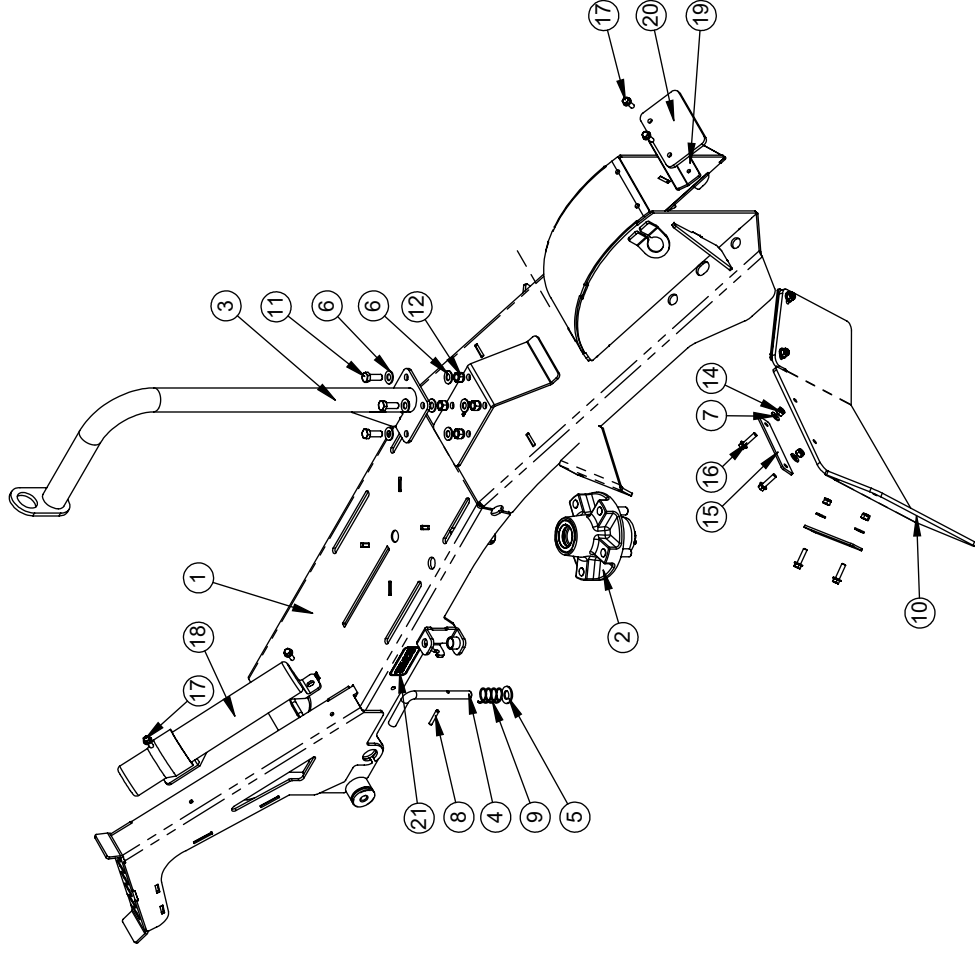
PRODUCT LINE:

SCALE: 1:24

SHEET 5 OF 7

DWG# 00753

| ITEM NO. | PART NUMBER | DESCRIPTION | QTY. |
|----------|-------------|--|------|
| 1 | 14000 | PIVOT GRINDER FRAME | 1 |
| 2 | 03804 | WHEEL HUB, 5 ON 4.5 BC | 1 |
| 3 | 14022 | LIFT EYE | 1 |
| 4 | 14024 | LOCK PIN | 1 |
| 5 | 05102 | WASHER, 1/2 SAE ZINC HARDENED | 1 |
| 6 | 05101 | WASHER, 3/8 SAE ZINC | 8 |
| 7 | 05081 | WASHER, 1/4 SAE ZINC | 6 |
| 8 | 10290 | ROLL PIN (SLOTTED SPRING), 3/16 X 1-1/8 ZINC | 1 |
| 9 | 03352 | SPRING, CENTURY 3385 | 1 |
| 10 | 14046 | WHEEL FLAP | 1 |
| 11 | 05059 | HH CAP SCREW, 3/8-16 NC X 1 G5 ZINC | 4 |
| 12 | 05073 | NUT, NYLOCK, 3/8-16 NC ZINC | 4 |
| 14 | 05096 | NUT, NYLOCK, 1/4-20 NC ZINC | 6 |
| 15 | 14053 | FLAP BOLT PLATE | 3 |
| 16 | 05368 | WHIZ-LOCK 1/4 - 20 X 1 | 6 |
| 17 | 05049 | WHIZ-LOCK 1/4 - 20 X 3/4 | 4 |
| 18 | 12090 | INSTRUCTION CANISTER | 1 |
| 19 | 14068 | WHEEL FLAP PLATE | 1 |
| 20 | 14069 | CUTTER FLAP | 1 |
| 21 | 14081 | OPERATION DECAL | 1 |



BARRETO

TITLE: FRAME ASSEMBLY

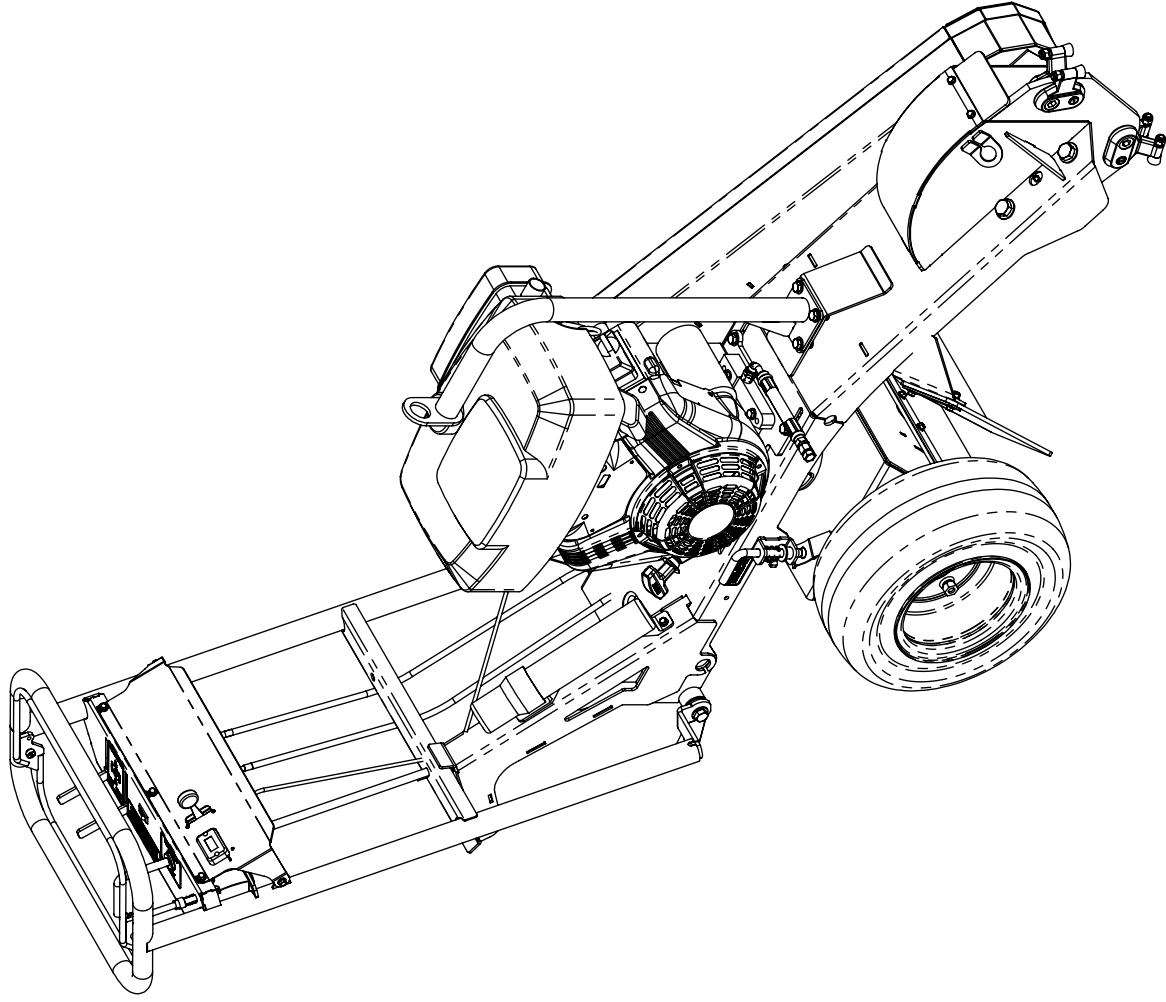
PRODUCT LINE:

SCALE: 1:12

SHEET 6 OF 7

DWG# 000754

| | |
|--------------|------------|
| RELEASE DATE | 12/15/2016 |
| REVISED DATE | NEW |
| REVISION # | 0 |



TITLE: PIVOT STUMP GRINDER

PRODUCT LINE:

SCALE: 1/24

SHEET 1 OF 14

DWG# E16SG

BARRETO

SMALL CUTTER WHEEL REPLACEMENT PARTS

| <u>Part#</u> | <u>Description</u> | | | | |
|---------------------|---|--|--|--|--|
| 12280 | Cutter tooth, includes collar and nut, 700 series Wearsharp | | | | |
| 12280-K2 | Set of 8 cutter teeth, 700 series Wearsharp | | | | |
| 12280-COMP2 | Complete set of teeth, holders and bolts for the cutter wheel | | | | |
| 12281 | Tooth holder, straight. 700 Wearsharp | | | | |
| 12281-K2 | Tooth holder set of 8, includes 4 straight and 4 angled | | | | |
| 12282 | Tooth holder, angled, 700 Wearsharp | | | | |
| 12283-ROO | Cutter bolt, 2", LP-200 | | | | |
| 12283-ROO-K | Set of 8, 2" cutter bolts | | | | |
| 12284 | Tooth collar, 700 series Wearsharp (included with tooth, 12280) | | | | |
| 05273 | Tooth nut, 700 series Wearsharp (included with tooth, 12280) | | | | |

ORDER PART# SGP-DECALS FOR THE COMPLETE SET.