

TFX 766I K38.5 A

2/16/2026



DISCLAIMER: Content of this PDF is information in possession of Altoz at the time of creation of this PDF and may not represent future changes. Altoz recommends using the electronic version of the parts catalog for the most current information. Product specifications and appearance are subject to change.

Table of Contents

1055249, TFX 766I K38.5 A..... 4

9990468, Drive..... 6

2000647, ASM,DRIVE TENSIONER,5 8

4000027, FLUID RESERVIOR 5400 10

9990631, Parking Brake 12

2000926, ASM,BRAKE HANDLE,TRX610/660..... 14

2000820, ASM,BRAKE CAM ARM,XPHD/TRX 16

2000927, ASM,BRAKE HANDLE WELD,TRX610/660..... 18

9990632, Speed Control..... 20

2000222, ASM,TWO SPEED LINKAGE,XCZ/TRX 22

2000883, ASM,TWO SPEED HANDLE,TRX610/660..... 24

2000884, ASM,TWO SPEED CAM ARM,TRX610/660 26

2000885, ASM,TWO SPEED HANDLE WELD,TRX610/660 28

9990693, FOOT REST,SYSTEM,TRX766,2020-24 30

9990814, SYS,ENGINE/EXH,TRX/TFX 766 K38.5,2023-26..... 32

9991013, SYS,TRACK,TFX766,2026..... 34

2001650, ASM,TORSION AXLE/IDLERS,TRX/TFX 766 36

2001641, ASM,TORSION AXLE/TUBE,CTRG,TRX766,01/24..... 38

2001654, ASM,CAST IDLER WHEEL,OUTER,6 40

2001655, ASM,CAST IDLER WHEEL,OUTER,10 42

2001841, ASM,HALF WHEEL,CTR DR SPROCK,INNER,TFX76..... 44

2001842, ASM,HALF WHEEL,CTR DR SPROCK,OUTER,TFX76 46

9991014, SYS,DECK,REVERSE ROTATION,TFX766 AT,2026 48

2001036, ASM,DECK STABLZR ARM,LH,RND,TRX610/660 50

2001037, ASM,DECK STABLZR ARM,RH,RND,TRX610/660 52

2001447, ASM,DECK DEBRIS SHIELD,TRX766 AT 54

2001844, ASM,AT DECK,REVERSE ROTATION,TFX766 56

2001178, ASM,DECK TENSIONER,XCZ/XPHD/TRX 60

2001357, ASM,FRONT CHAIN GUARD,LH,TRX766 AT 62

2001358, ASM,FRONT CHAIN GUARD,RH,TRX766 AT 64

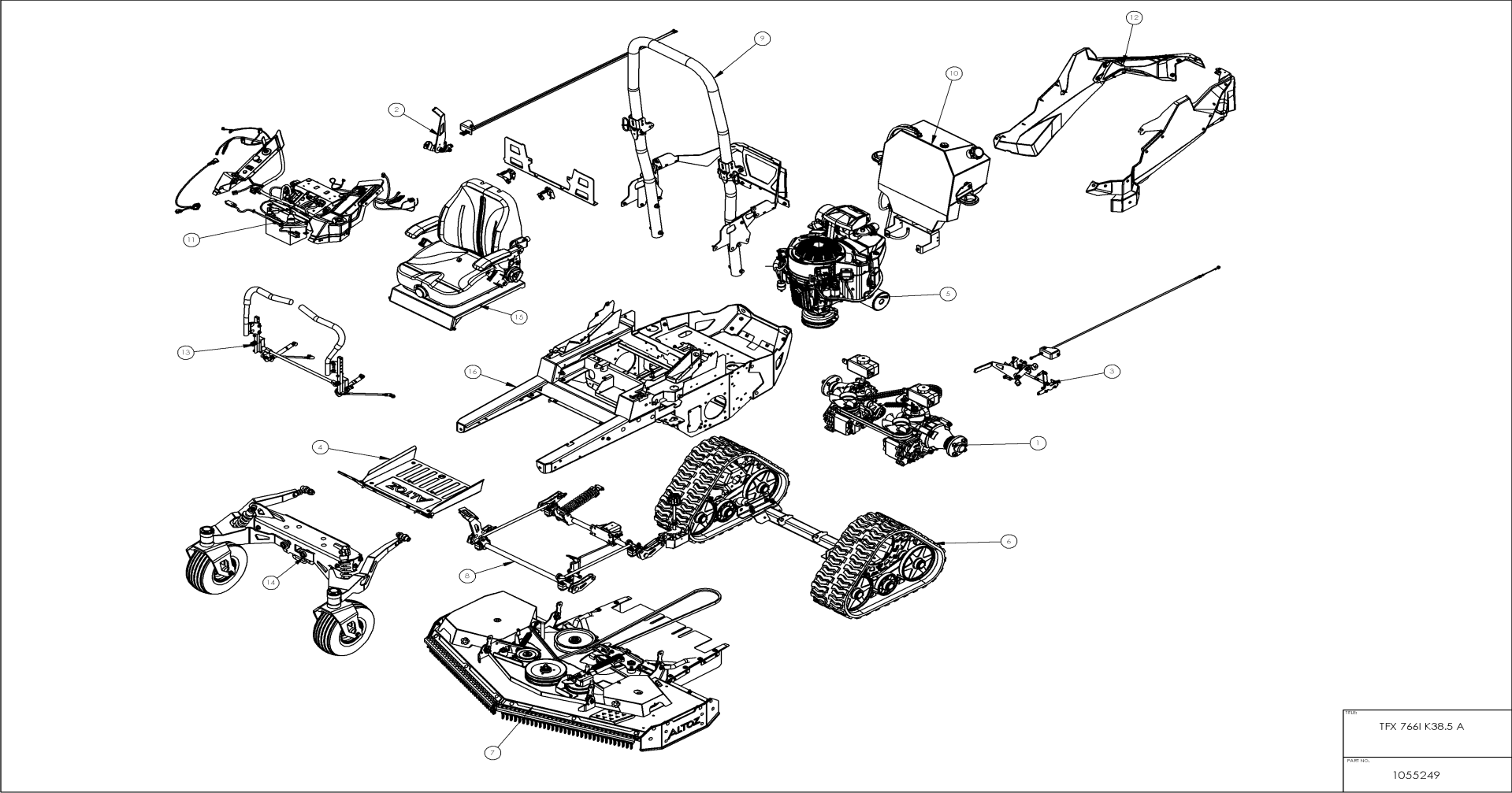
2001443, ASM,REAR GUARD,RBR,LH,TRX561 AT 66

2001444, ASM,REAR GUARD,RBR,RH,TRX561 AT 68

	3
2001620, ASM,BB DECK TENSIONER,REV RTN,TRX/TFX766	70
2001621, ASM,BLADE HUB,DUAL EDGE,TRX/FX/66	72
2900746, SPINDLE ASM,CLAMP STYLE,W/GREASE,AT DECK.....	74
2900749, SPINDLE ASM,CLMP,EXT.SHAFT,W/GREASE,TSX	76
9991024, DECK LIFT,SYSTEM,TFX,2026	78
2000195, ASM,DECK HEIGHT LINK,XC/XPHD/TRX	82
2000350, ASM,DECK RELEASE PEDAL,ARG,XC/XPHD/TRX.....	84
2000351, ASM,DECK LIFT CATCH MNT,XC/XPHD/TRX.....	86
2000349, ASM,DECK STOP CATCH W/BUSH,XC/XPHD/TRX	88
2000352, ASM,LIFT SPRING SHAFT W/BUSH,XC/XPHD/TRX.....	90
2000366, ASM,SPRING RETAIN/BUSH,LIFT,XC/XPHD/TRX.....	92
2000771, ASM,ADJ KNOB,DK HEIGHT,XC/XP/TRX/TSX/TFX	94
2000936, ASM,CAM ARM PIVOT ARM,HOC,TRX610/660	96
9991027, SYS,FUEL,TFX K38.5,2026	98
2001855, ASM,FUEL TANK,TFX.....	100
2000133, PICK-UP ASM,FUELTANK,31	102
2001857, ASM,FUEL LINE,TFX.....	104
9991029, SYS,ELECTRICAL,TFX766 K38.5,2026	106
2000868, BATTERY CABLE,POSITIVE,32	109
2000869, BATTERY CABLE,NEGATIVE,36	111
2001206, ASM,ELECT CNTRL PAN,TRX766,2020	113
2001859, ASM,CONSOLE,RH,KEY/PTO,TFX	115
2000925, ASM,LED LIGHT,RED,12VDC,W/NUT,XP/TRX.....	117
9991032, SYS,PLASTICS,TFX K38.5,2026	119
9991037, STEERING,TFX,2026	121
2000879, ASM,STEERING CONTROL,RH,TRX610/660	123
2000881, ASM,STEERING CONTROL ROD,XPHD/TRX	125
2000880, ASM,STEERING CONTROL,LH,TRX610/660.....	127
9991044, SYS,FRONT AXLE,TFX766,2026	129
6100054, WHEEL,FRONT,15/6X6,RIBBED,TPRD BRG,BC	132
9991045, SEAT,SYSTEM,TFX,2026	134
9991053, FRAME,TFX766,2026	136
2001854, ASM,REAR BUMPER,TFX	139

1055249, TFX 766I K38.5 A

UNCONTROLLED DOCUMENT IF PRINTED

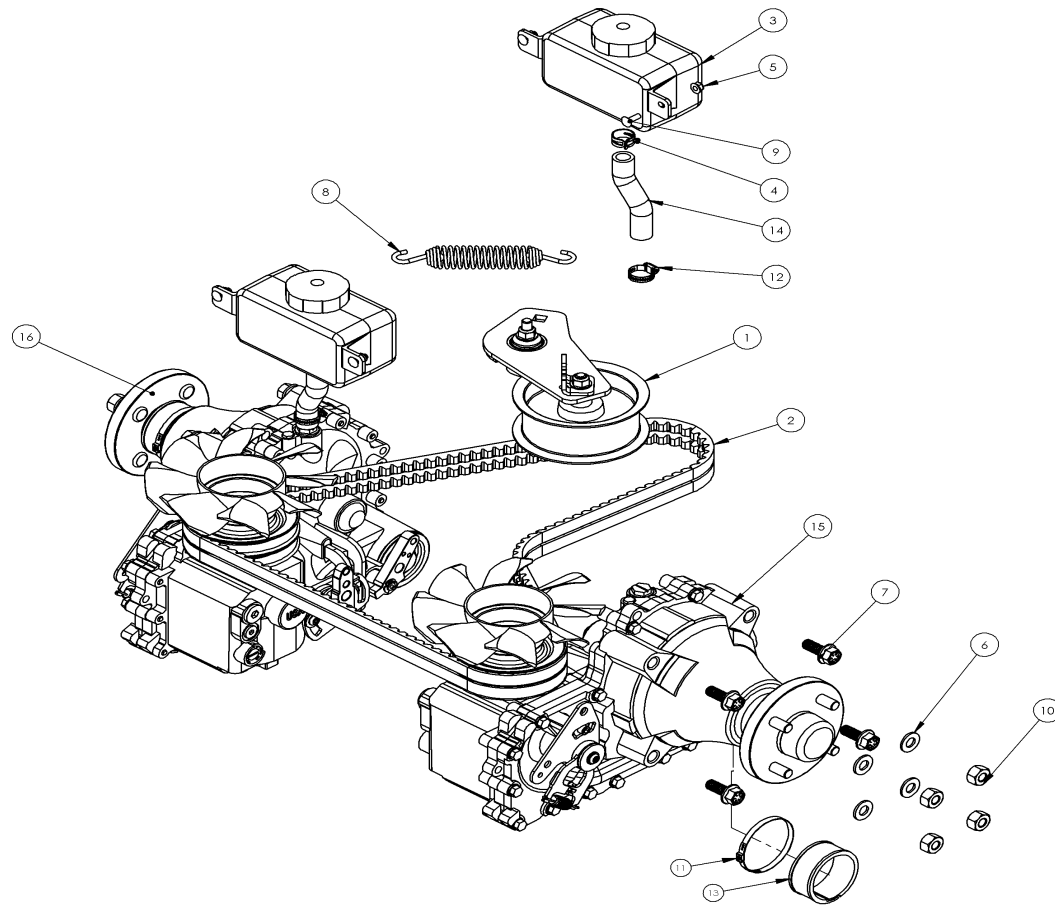


TITLE	TFX 766I K38.5 A
PART NO.	1055249

Ref#	Part#	Description	Qty
1	9990468	Drive	1
2	9990631	Parking Brake	1
3	9990632	Speed Control	1
4	9990693	FOOT REST,SYSTEM,TRX766,2020-24	1
5	9990814	SYS,ENGINE/EXH,TRX/TFX 766 K38.5,2023-26	1
6	9991013	SYS,TRACK,TFX766,2026	1
7	9991014	SYS,DECK,REVERSE ROTATION,TFX766 AT,2026	1
8	9991024	DECK LIFT,SYSTEM,TFX,2026	1
9	9991026	ROPS,TFX,2026	1
10	9991027	SYS,FUEL,TFX K38.5,2026	1
11	9991029	SYS,ELECTRICAL,TFX766 K38.5,2026	1
12	9991032	SYS,PLASTICS,TFX K38.5,2026	1
13	9991037	STEERING,TFX,2026	1
14	9991044	SYS,FRONT AXLE,TFX766,2026	1
15	9991045	SEAT,SYSTEM,TFX,2026	1
16	9991053	FRAME,TFX766,2026	1

9990468, Drive

UNCONTROLLED DOCUMENT IF PRINTED

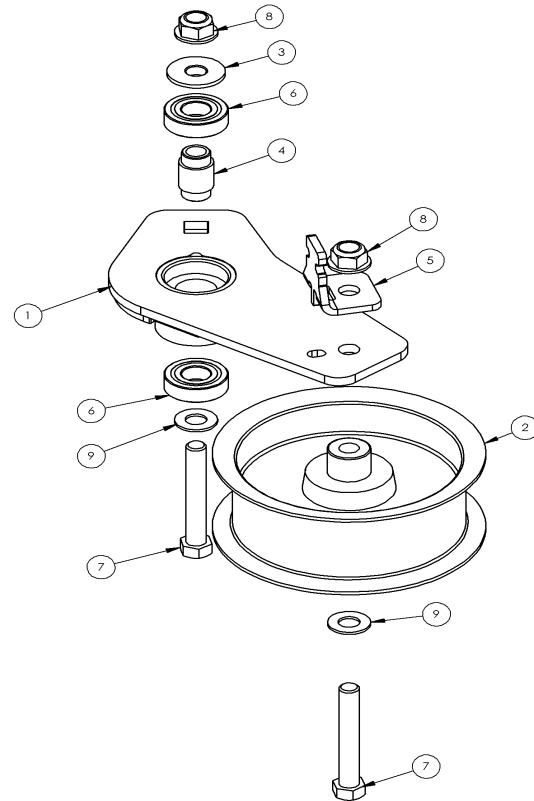


TITLE	Drive, TRX
PART NO.	9990468

Ref#	Part#	Description	Qty
1	2000647	ASM,DRIVE TENSIONER,5",TRX610/660	1
2	2900606	BELT,DRIVE,NOTCHED,BX69,11/18	2
3	4000027	FLUID RESERVIOR 5400	2
4	5000084	UNICLAMP	2
5	5000156	NUT, PKG QTY 20	4
6	5000176	WASHER, PKG QTY (10)	8
7	5000243	BOLT,1/2"-13X1-1/4",PKG QTY 5	8
8	5000295	SPRING	1
9	5000492	BOLT	4
10	5000571	NUT, HEAVY HEX, PKG QTY (10)	8
11	5000692	PINCH CLAMP,2.968"ID,0.281"WIDE,304SS	2
12	5000885	CLAMP,WORM DRIVE,SAE#10,5/16"WIDE,SS	2
13	5500057	TRANS GUARD,MOLDED,2.5"IDX1.25",TRX766	2
14	5700071	HOSE,HYDR,5/8"IDx4.875",CTL,TRX610/66	2
15	6200044	TRANS,LH,2 SPEED,ZT 5400,2018	1
16	6200045	TRANS,RH,2 SPEED,ZT 5400,2018	1

2000647, ASM,DRIVE TENSIONER,5",TRX610/660

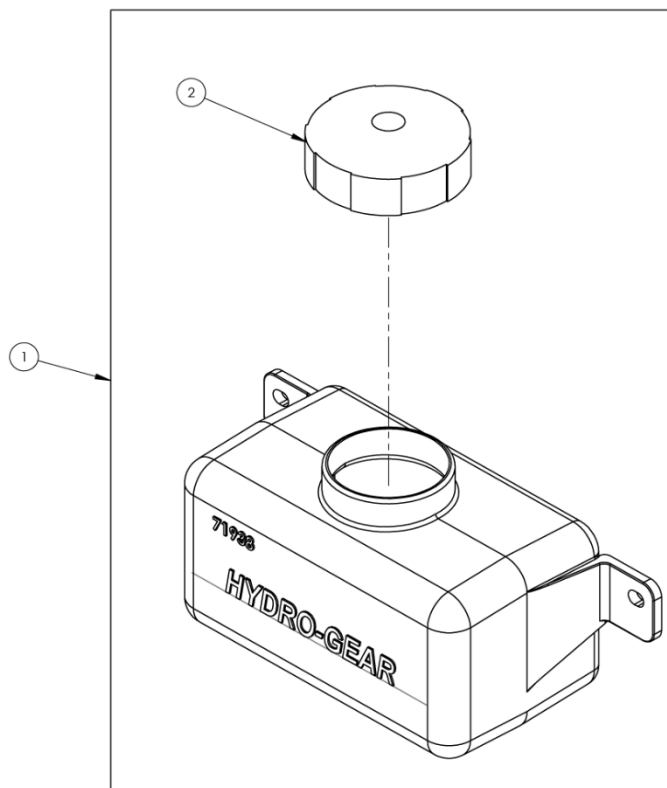
UNCONTROLLED DOCUMENT IF PRINTED



TITLE	Asm, Drive Tensioner, TRX,5in
PART NO.	2000647

Ref#	Part#	Description	Qty
1	1200634	WELD,DRIVE TENSIONER,5",TRX610/660/766	1
2	2900523	PULLEY,IDLER,DRIVE,5.85"ODX0.438"IDX2"W	1
3	3100502	LOWER SPACER	1
4	3100503	SLEEVE	1
5	3104092	BRKT,TENSIONER SPRING HOOK,7GA,TRX610/66	1
6	5000082	BEARING	2
7	5000139	SCREW	2
8	5000161	NUT, PKG QTY 10	2
9	5000175	WASHER, PKG QTY (10)	2

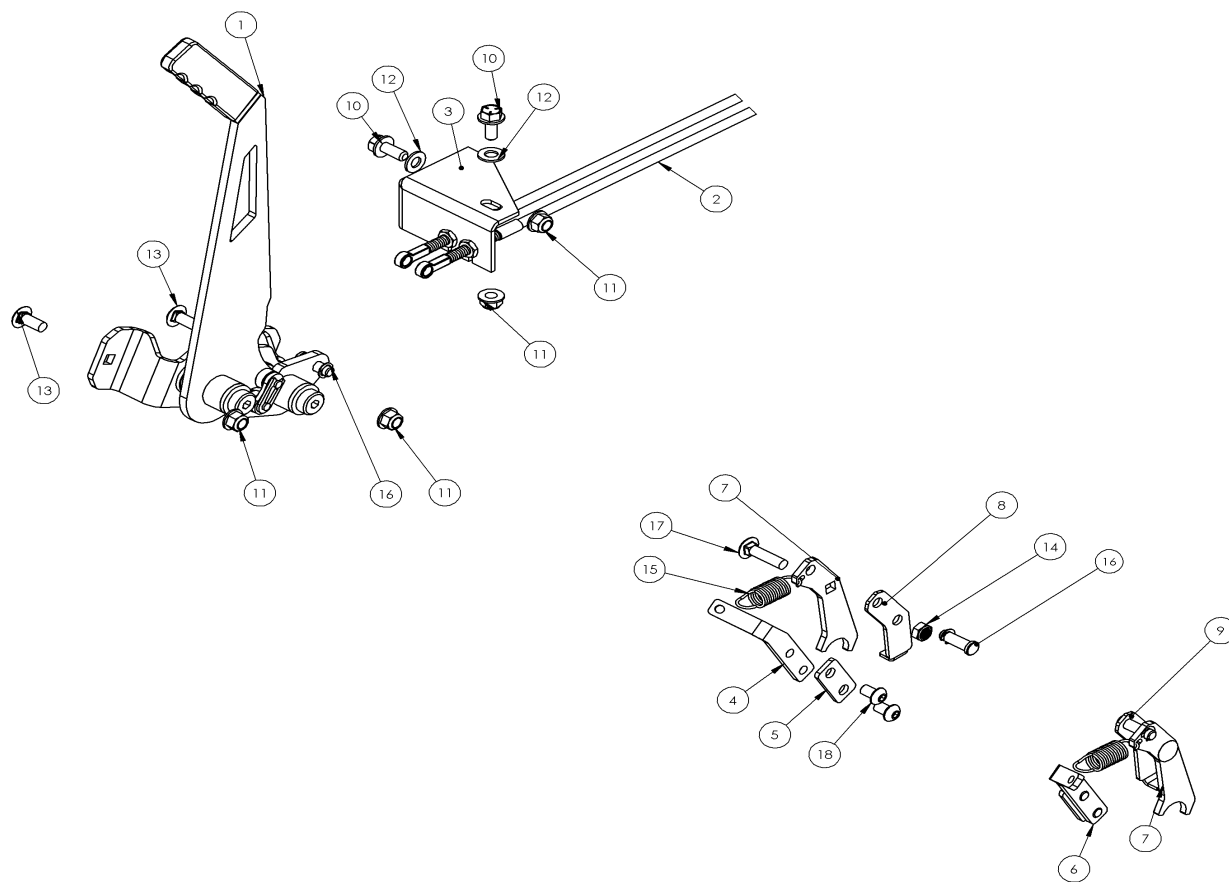
4000027, FLUID RESERVIOR 5400



Ref#	Part#	Description	Qty
2	4000065	CAP,FLUID RESERVOIR,TRANSMISSION	1

9990631, Parking Brake

UNCONTROLLED DOCUMENT IF PRINTED



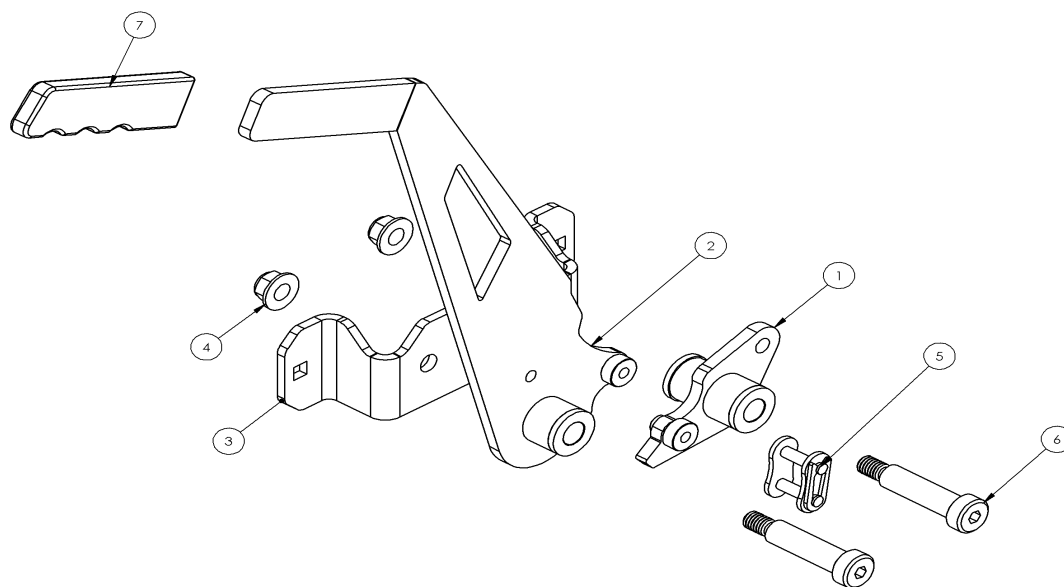
Title Brake,TRX766

PART NO. 9990631

Ref#	Part#	Description	Qty
1	2000926	ASM,BRAKE HANDLE,TRX610/660	1
2	2900491	CABLE,BRAKE,XPHD/TRX561/766	2
3	3103728	BRAKE,UPPER CABLE MNT,10GA,XPHD/TRX	1
4	3104060	BRAKE,RH SPRING RTN BRKT,7GA,TRX 61/66	1
5	3104061	BRAKE,RTN BRKT RETAINER,10GA,TRX 61/66	2
6	3104062	BRAKE,LH SPRING RTN BRKT,7GA,TRX 61/66	1
7	3104093	BRAKE,EXT BRKT,RH/LH,7GA,TRX 61/66	2
8	3105191	BRAKE ARM EXT,INTERNAL,RH,12GA,TRX766	1
9	3105192	BRAKE ARM EXT,INTERNAL,LH,12GA,TRX766	1
10	5000127	BOLT, PKG QTY (10)	2
11	5000157	NUT, PKG QTY 10	4
12	5000173	WASHER, PKG QTY (10)	2
13	5000196	BOLT	2
14	5000274	NUT, PKG QTY (10)	2
15	5000489	SPRING,EXT,HOOKS,0.069"Wx0.625"ODx2",ZC	2
16	5000553	PIN	3
17	5000559	BOLT	2
18	5000568	SCREW	4

2000926, ASM,BRAKE HANDLE,TRX610/660

UNCONTROLLED DOCUMENT IF PRINTED

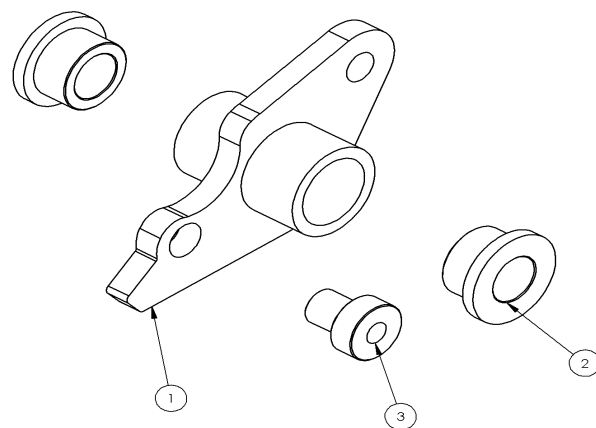


TITLE	Asm,Brake Handle, TRX
PART NO.	2000926

Ref#	Part#	Description	Qty
1	2000820	ASM,BRAKE CAM ARM,XPHD/TRX	1
2	2000927	ASM,BRAKE HANDLE WELD,TRX610/660	1
3	3103729	BRKT,BRAKE/TWO SPEED MNT,7GA,XPHD/TRX	1
4	5000159	NUT, PKG QTY 20	2
5	5000398	CONNECTING LINK,60H,AQUA,CRSN RESISTANT	1
6	5000549	BOLT	2
7	5500025	GRIP,BRK/2SPD HNDL,BLK,1"X4-11/16"(6/PK)	1

2000820, ASM, BRAKE CAM ARM, XPHD/TRX

UNCONTROLLED DOCUMENT IF PRINTED

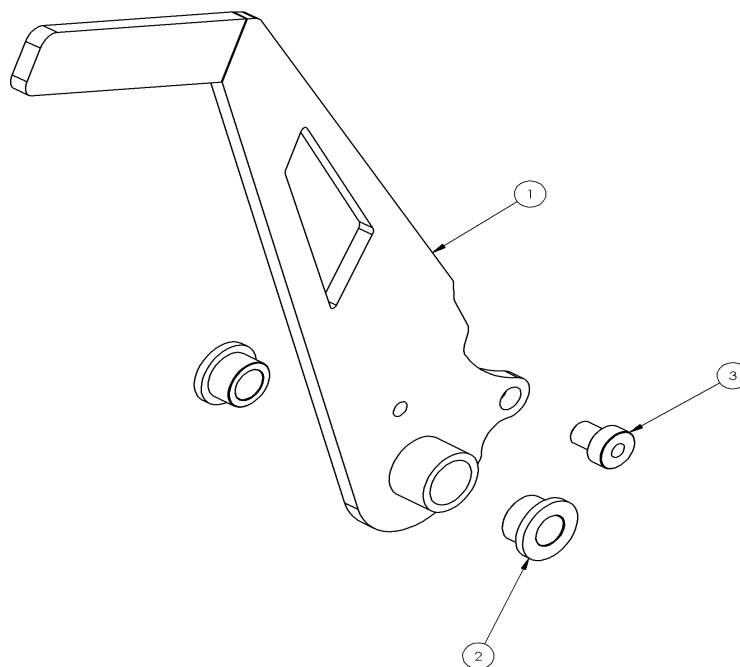


FILE	Asm, Brake Cam, XPHD
PART NO.	2000820

Ref#	Part#	Description	Qty
1	1200580	WELD,BRAKE/TWO SPEED CAM,XPHD/TRX	1
2	5000090	BUSHING	2
3	5000399	SLEEVE,HARD RC 40,ZY	1

2000927, ASM, BRAKE HANDLE WELD, TRX610/660

UNCONTROLLED DOCUMENT IF PRINTED

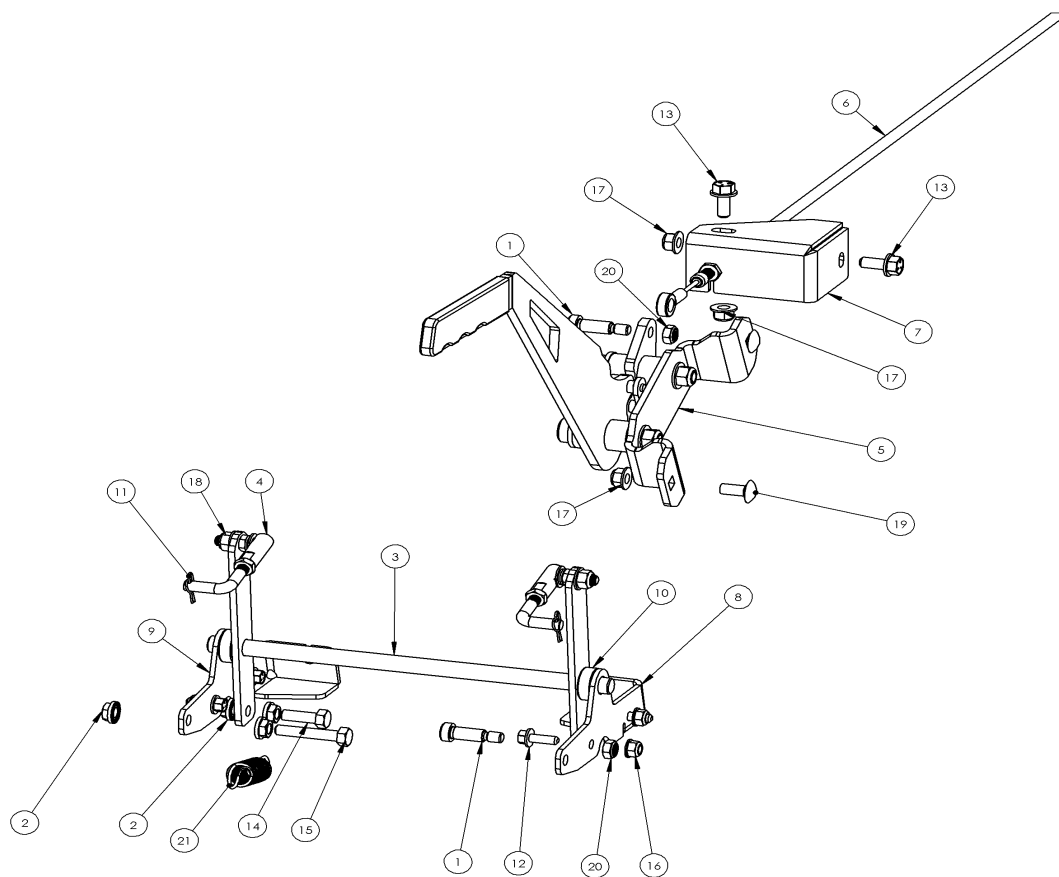


TITLE	Asm, Brake Handle, TRX
PART NO.	2000927

Ref#	Part#	Description	Qty
1	1200633	WELD,BRAKE HANDLE,TRX610/660/766	1
2	5000090	BUSHING	2
3	5000399	SLEEVE,HARD RC 40,ZY	1

9990632, Speed Control

UNCONTROLLED DOCUMENT IF PRINTED

Speed Control,
TRX766

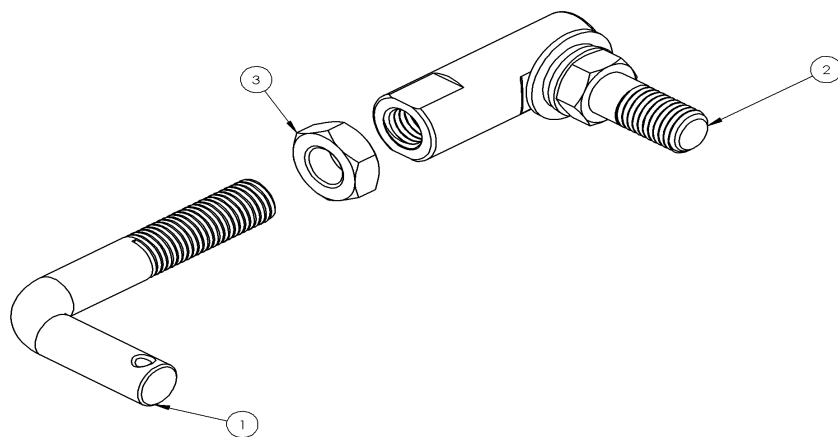
PART NO.

9990632

Ref#	Part#	Description	Qty
1	5095	BOLT	2
2	5424	NUT, PKG QTY (10)	4
3	1200648	WELD,TWO SPEED LINKG ARM,TRX610/660/766	1
4	2000222	ASM,TWO SPEED LINKAGE,XCZ/TRX	2
5	2000883	ASM,TWO SPEED HANDLE,TRX610/660	1
6	2900604	CABLE,TWO SPEED,TRX766	1
7	3105181	BRKT,CABLE MNT,TWO SPEED,10GA,TRX/TFX766	1
8	3105182	BRKT,TWO SPEED MNT,LH,10GA,TRX766	1
9	3105183	BRKT,TWO SPEED MNT,RH,10GA,TRX766	1
10	4000042	SPACER	2
11	5000096	COTTER PIN	2
12	5000126	BOLT, PKG QTY (10)	4
13	5000127	BOLT, PKG QTY (10)	2
14	5000134	SCREW	1
15	5000135	SCREW, PKG QTY (10)	1
16	5000156	NUT, PKG QTY 20	4
17	5000157	NUT, PKG QTY 10	4
18	5000158	NUT	2
19	5000196	BOLT	2
20	5000274	NUT, PKG QTY (10)	2
21	5000316	SPRING	1

2000222, ASM,TWO SPEED LINKAGE,XCZ/TRX

UNCONTROLLED DOCUMENT IF PRINTED

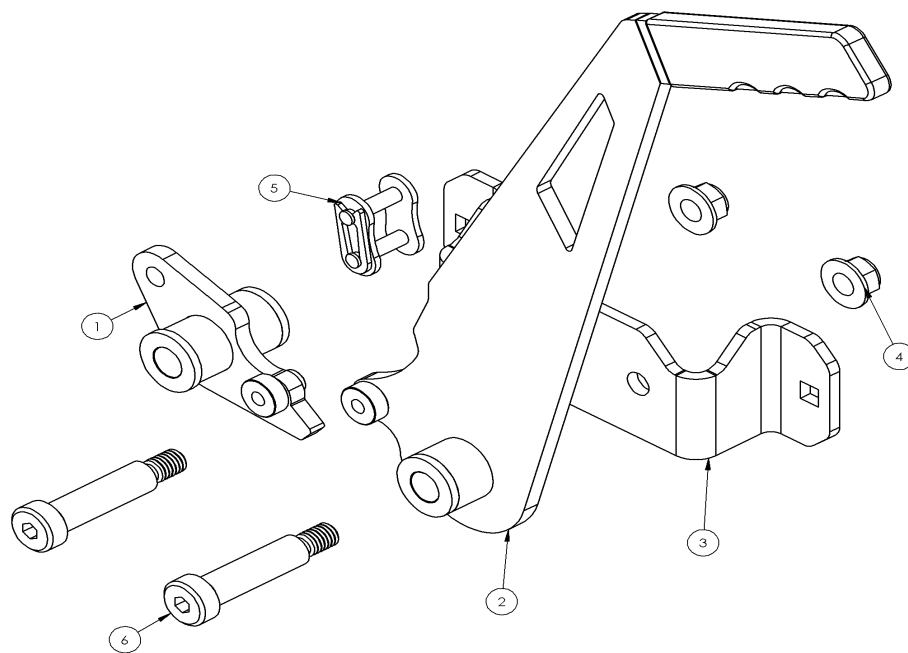


TITLE	Asm,Two Speed, Linkage
PART NO.	2000222

Ref#	Part#	Description	Qty
1	3100492	LINK	1
2	5000068	BALL JOINT	1
3	5000166	NUT	1

2000883, ASM,TWO SPEED HANDLE,TRX610/660

UNCONTROLLED DOCUMENT IF PRINTED

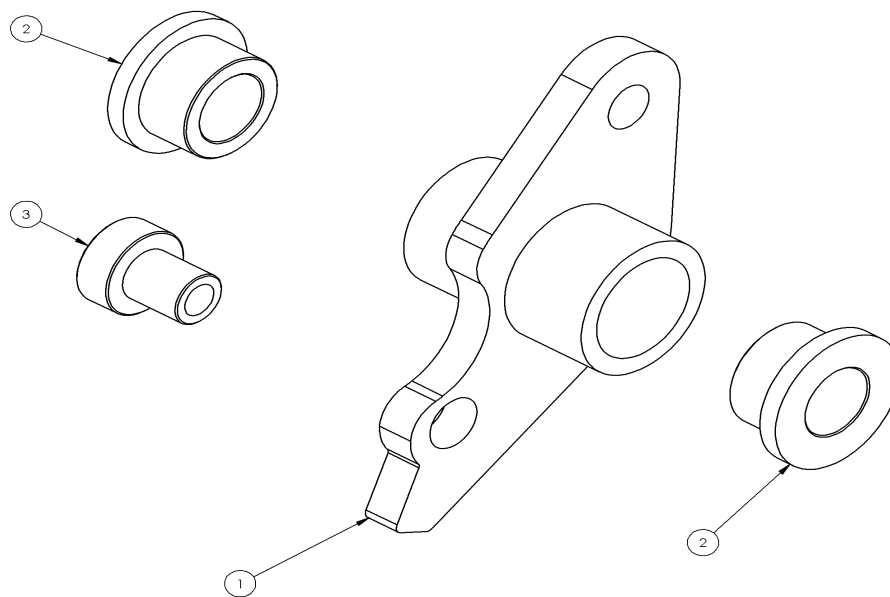


TITLE	Asm,2Spd,TRX
PART NO.	2000883

Ref#	Part#	Description	Qty
1	2000884	ASM,TWO SPEED CAM ARM,TRX610/660	1
2	2000885	ASM,TWO SPEED HANDLE WELD,TRX610/660	1
3	3103729	BRKT,BRAKE/TWO SPEED MNT,7GA,XPHD/TRX	1
4	5000159	NUT, PKG QTY 20	2
5	5000398	CONNECTING LINK,60H,AQUA,CRSN RESISTANT	1
6	5000549	BOLT	2

2000884, ASM, TWO SPEED CAM ARM, TRX610/660

UNCONTROLLED DOCUMENT IF PRINTED

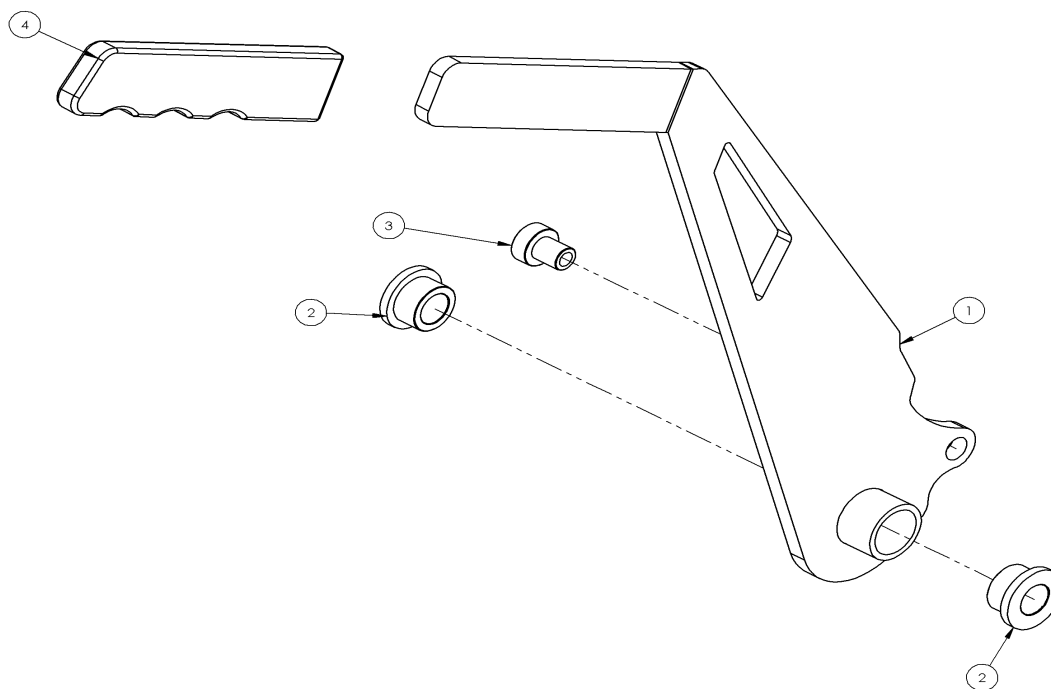


TITLE	Asm, 2Spd Cam Arm, TRX
PART NO.	2000884

Ref#	Part#	Description	Qty
1	1200580	WELD,BRAKE/TWO SPEED CAM,XPHD/TRX	1
2	5000090	BUSHING	2
3	5000399	SLEEVE,HARD RC 40,ZY	1

2000885, ASM,TWO SPEED HANDLE WELD,TRX610/660

UNCONTROLLED DOCUMENT IF PRINTED

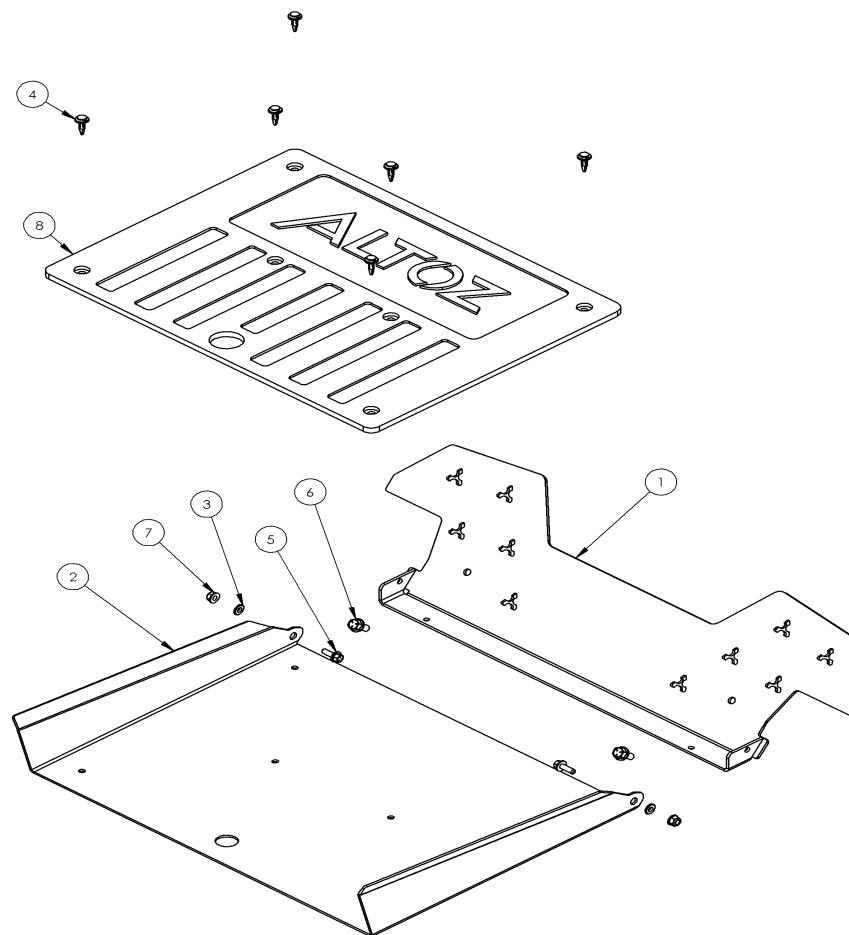


TITLE	Asm,2Spd Handle,TRX
PART NO.	2000885

Ref#	Part#	Description	Qty
1	1200650	WELD,TWO SPEED HANDLE,TRX610/660/766	1
2	5000090	BUSHING	2
3	5000399	SLEEVE,HARD RC 40,ZY	1
4	5500025	GRIP,BRK/2SPD HNDL,BLK,1"X4-11/16"(6/PK)	1

9990693, FOOT REST,SYSTEM,TRX766,2020-24

UNCONTROLLED DOCUMENT IF PRINTED



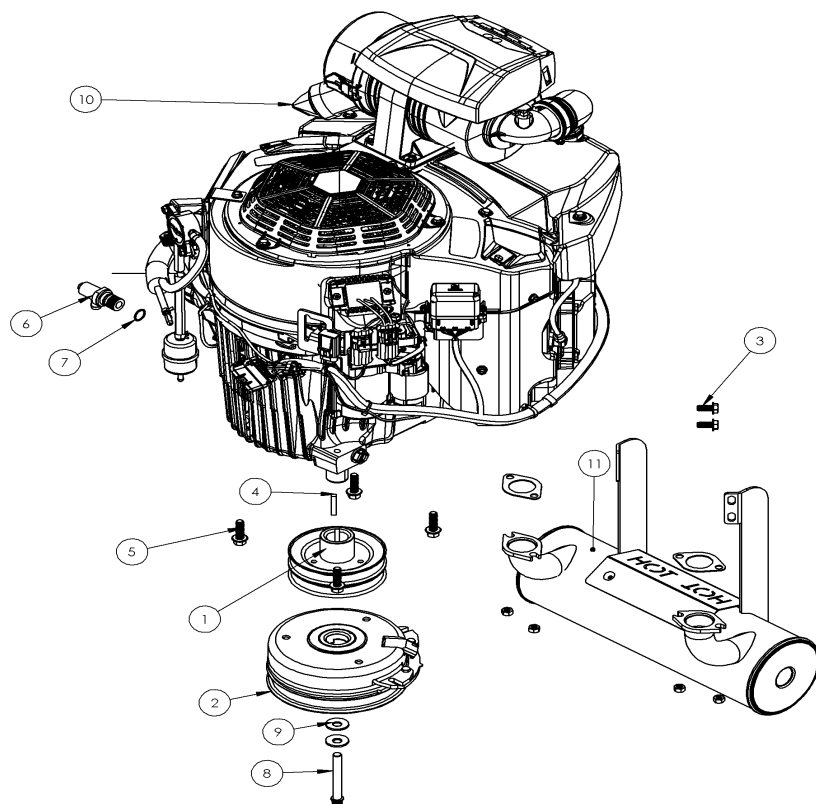
Foot Pan, TRX766

PART NO.
9990693

Ref#	Part#	Description	Qty
1	3104050	FOOT REST,10GA,TRX/TFX	1
2	3105391	FLOOR PAN,12GA,TRX/TFX766	1
3	4000076	SPACER,PLASTIC,FLOOR PAN	2
4	5000115	RIVET	6
5	5000126	BOLT, PKG QTY (10)	2
6	5000127	BOLT, PKG QTY (10)	2
7	5000156	NUT, PKG QTY 20	2
8	5500049	RUBBER MAT,LARGE,ALTOZ,15.38"X20"	1

9990814, SYS,ENGINE/EXH,TRX/TFX 766 K38.5,2023-26

UNCONTROLLED DOCUMENT IF PRINTED

ENGINE/EXHAUST,
TRX766 K38.5

PART NO.

9990814

Ref#	Part#	Description	Qty
1	2900569	PULLEY,DRIVE,DOUBLE,5.0"OD	1
2	2900613	CLUTCH,DUAL STRAP,250FT LBS,CCW,1.125	1
3	5000256	BOLT	4
4	5000365	KEY,SQUARE,.25"X1.375"L,ZC	1
5	5000460	BOLT	4
6	5000821	OIL DRAIN,W/O O-RING,KAWASAKI ENGINE	1
7	5000822	O-RING,OIL DRAIN,KAWASAKI ENGINE	1
8	5000930	BOLT,7/16"-20X3-1/4",FLANGE,12PT,GR9,PL	1
9	5000934	WASHER,BELLEVILLE,.453IDX1.188ODX.089,PL	2
10	6200068	ENGINE,KAWASAKI,FX,38.5HP,EFI	1
11	6500019	MUFFLER	1

9991013, SYS,TRACK,TFX766,2026

UNCONTROLLED DOCUMENT IF PRINTED

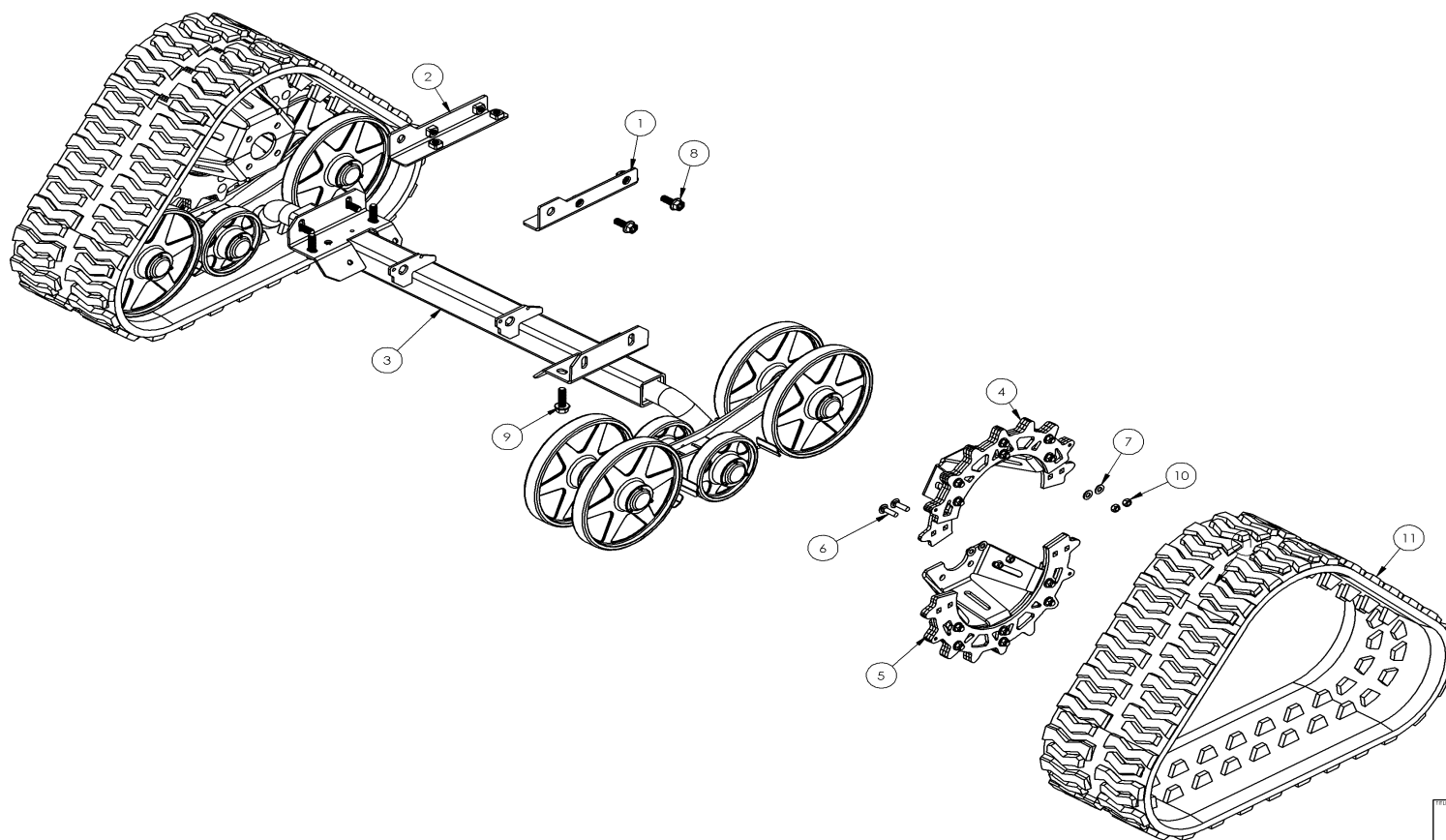
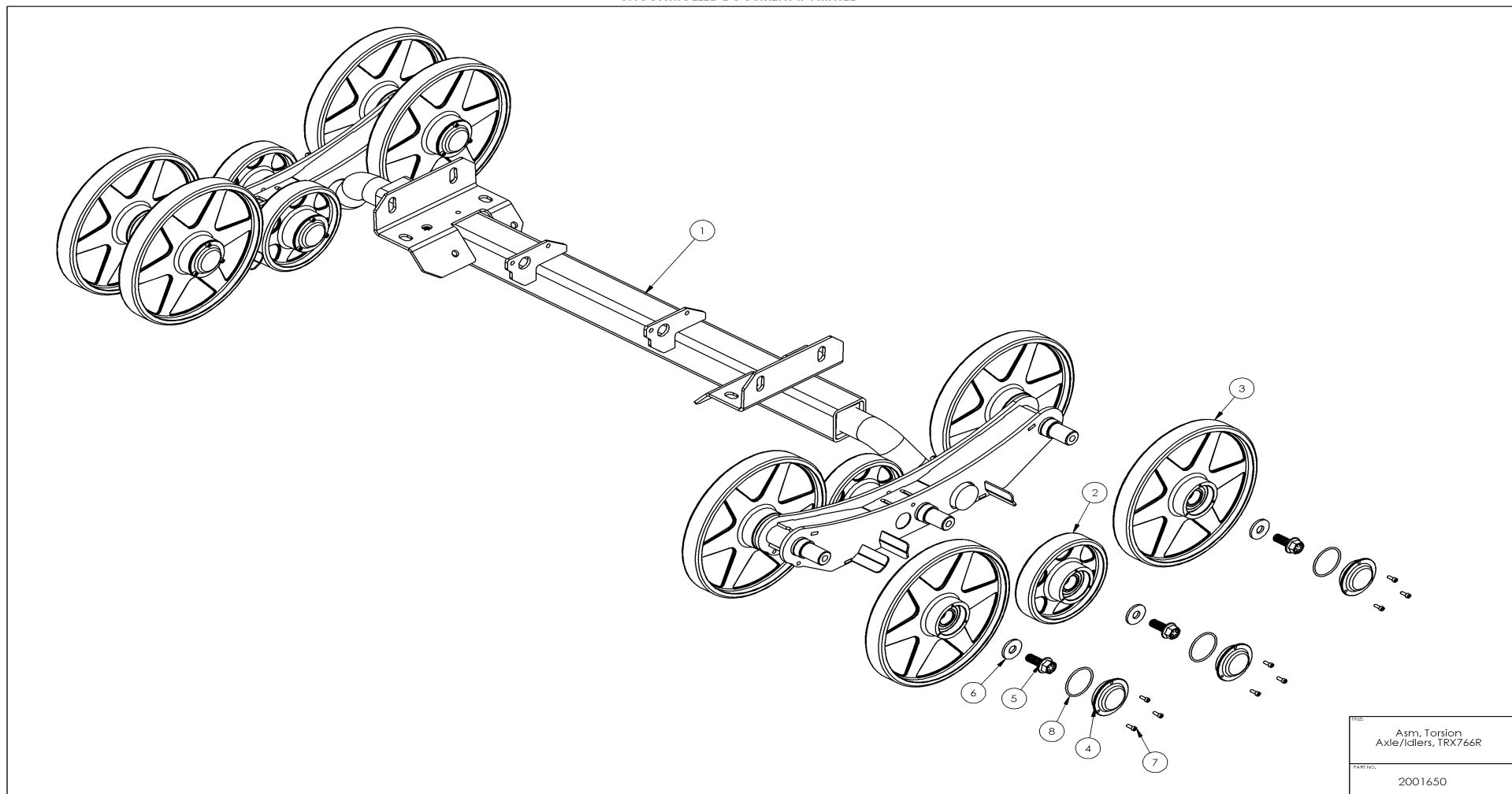


FIG.	Track, System, TFX766
PART NO.	9991013

Ref#	Part#	Description	Qty
1	1200827	WELD,TRACK MNT NUT BAR,LH,TRX766	1
2	1200828	WELD,TRACK MNT NUT BAR,RH,TRX766	1
3	2001650	ASM,TORSION AXLE/IDLERS,TRX/TFX 766	1
4	2001841	ASM,HALF WHEEL,CTR DR SPROCK,INNER,TFX76	2
5	2001842	ASM,HALF WHEEL,CTR DR SPROCK,OUTER,TFX76	2
6	5000147	BOLT	8
7	5000174	WASHER, PKG QTY (10)	8
8	5000243	BOLT,1/2"-13X1-1/4",PKG QTY 5	4
9	5000588	BOLT	4
10	5000634	NUT, PKG QTY 20	8
11	5500107	TRACK,255MMx72MMx29P,ZZ TREAD,TRX766	2

2001650, ASM,TORSION AXLE/IDLERS,TRX/TFX 766

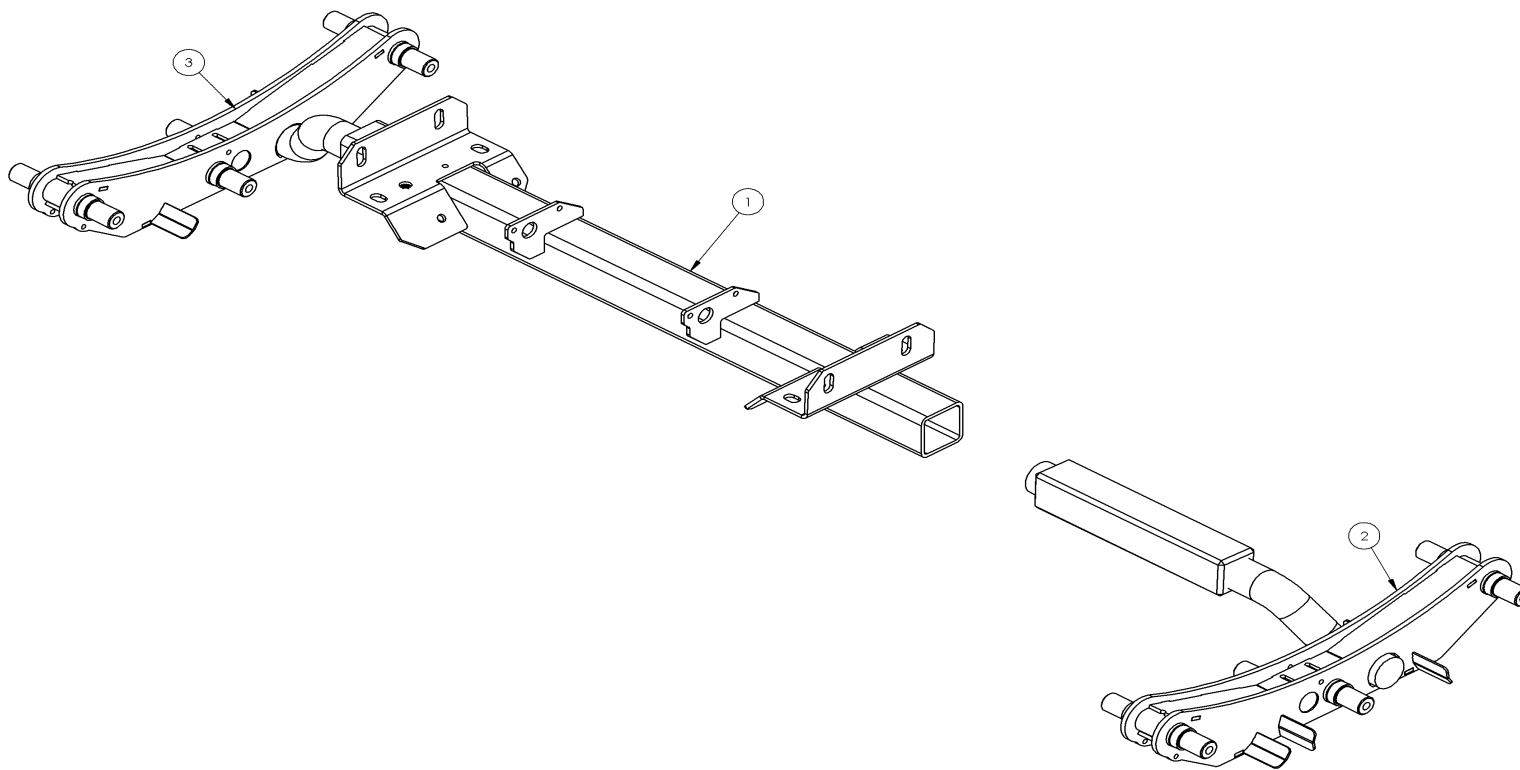
UNCONTROLLED DOCUMENT IF PRINTED



Ref#	Part#	Description	Qty
1	2001641	ASM,TORSION AXLE/TUBE,CTRG,TRX766,01/24	1
2	2001654	ASM,CAST IDLER WHEEL,OUTER,6",ANG CONT	4
3	2001655	ASM,CAST IDLER WHEEL,OUTER,10",ANG CONT	8
4	3106379	HUB CAP,TRACK WHEEL,6061 ALUM	12
5	5000243	BOLT,1/2"-13X1-1/4",PKG QTY 5	12
6	5000261	WASHER	12
7	5000567	SCREW, PKG QTY 10	36
8	5000577	O-RING,SIZE-134,BUNA-N	12

2001641, ASM,TORSION AXLE/TUBE,CTRG,TRX766,01/24

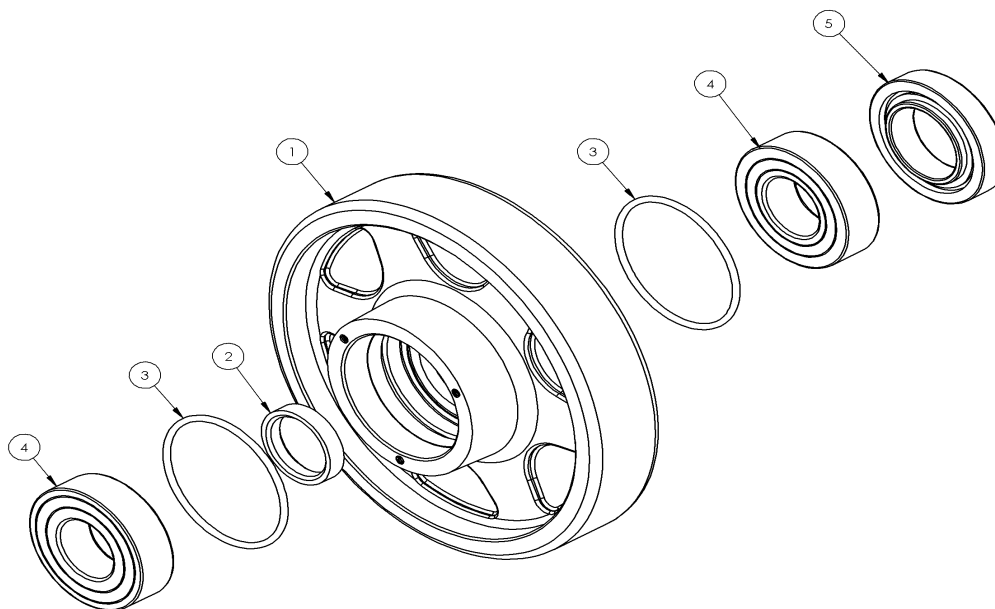
UNCONTROLLED DOCUMENT IF PRINTED

TITL
Asm, Torsion
Axle/Tube, TRX766PART NO.
2001641

Ref#	Part#	Description	Qty
1	1201087	WELD,CROSS TUBE,TRSN AXLE,TRX766,3/22	1
2	1201316	WELD,WALKING BEAM,LH,TRX766,4/24	1
3	1201317	WELD,WALKING BEAM,RH,TRX766,4/24	1

2001654, ASM,CAST IDLER WHEEL,OUTER,6",ANG CONT

UNCONTROLLED DOCUMENT IF PRINTED

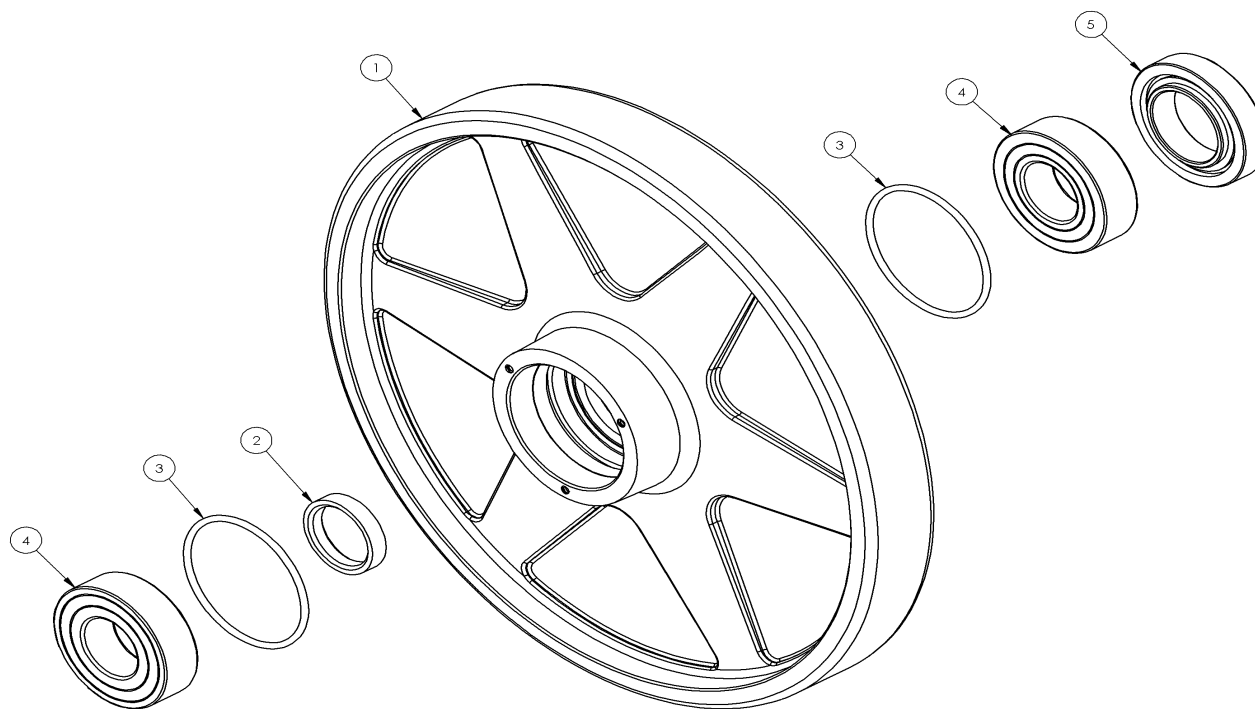


TITLE	Asm, Cast Idler Wheel, 6in
PART NO.	2001654

Ref#	Part#	Description	Qty
1	1500021	WHEEL,CAST IRON,BLK,6"OD,TRX561/766/TSX	1
2	3104112	BEARING SPACER,TRACK WHEEL,TRX,PL	1
3	5000674	O-RING,SIZE-137,BUNA-N	0
4	5000916	BEARING,ANG CONT BALL,7205-2RS,25MM ID	2
5	6000052	SEAL,CASSETTE,IDLER WHEEL,TRX/TSX	1

2001655, ASM,CAST IDLER WHEEL,OUTER,10",ANG CONT

UNCONTROLLED DOCUMENT IF PRINTED

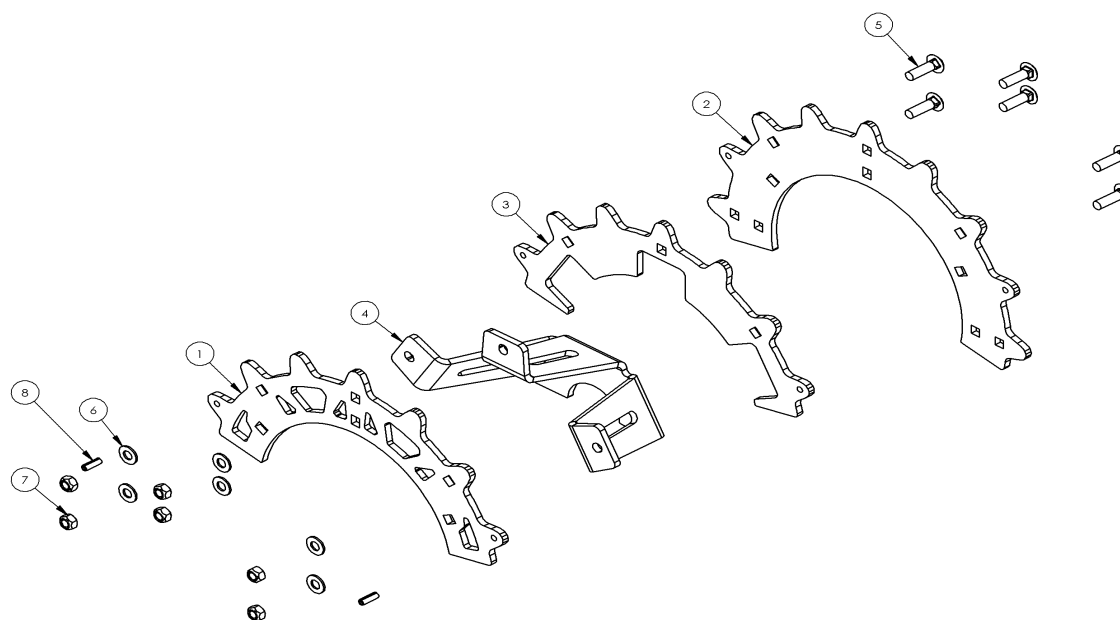


FILE	Asm, Cast Idler Wheel, 10in
PART NO.	2001655

Ref#	Part#	Description	Qty
1	1500022	WHEEL,CAST IRON,BLK,10"OD,TRX766	1
2	3104112	BEARING SPACER,TRACK WHEEL,TRX,PL	1
3	5000674	O-RING,SIZE-137,BUNA-N	0
4	5000916	BEARING,ANG CONT BALL,7205-2RS,25MM ID	2
5	6000052	SEAL,CASSETTE,IDLER WHEEL,TRX/TSX	1

2001841, ASM, HALF WHEEL, CTR DR SPROCK, INNER, TFX76

UNCONTROLLED DOCUMENT IF PRINTED



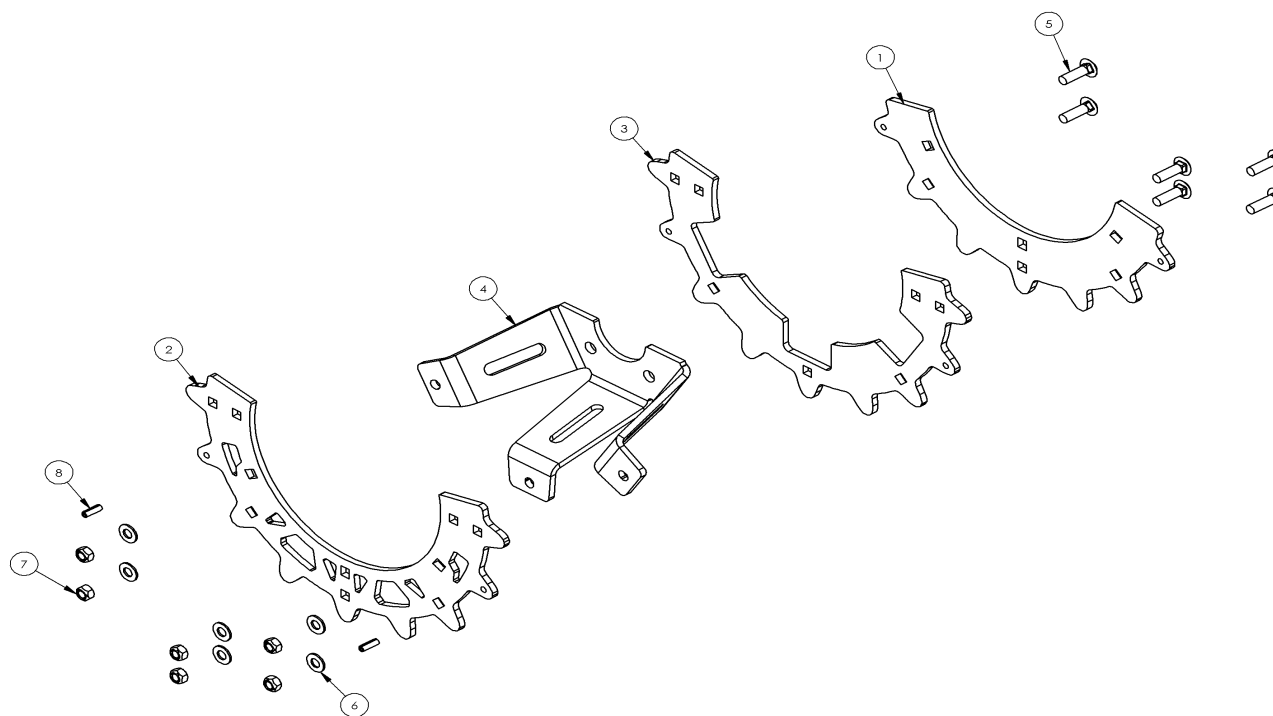
Half Wheel, Center
Drive Sprocket, Inner,
TFX766

PART NO.
2001841

Ref#	Part#	Description	Qty
1	3108743	CENTER DR SPROCK,SMALL RING,.25",TFX766	1
2	3107688	CENTER DRV SPROCKET,LARGE RING,.25",766	1
3	3107689	CTR DR SPROCK,SMALL CTR RING,.25",TRX766	1
4	3107691	HUB,CENTER DRV SPROCKET,16P,.25",TRX766	1
5	5000147	BOLT	6
6	5000174	WASHER, PKG QTY (10)	6
7	5000634	NUT, PKG QTY 20	6
8	5000876	SPRING PIN,COILED,.25"ODX.75"L,PL	2

2001842, ASM, HALF WHEEL, CTR DR SPROCK, OUTER, TFX76

UNCONTROLLED DOCUMENT IF PRINTED

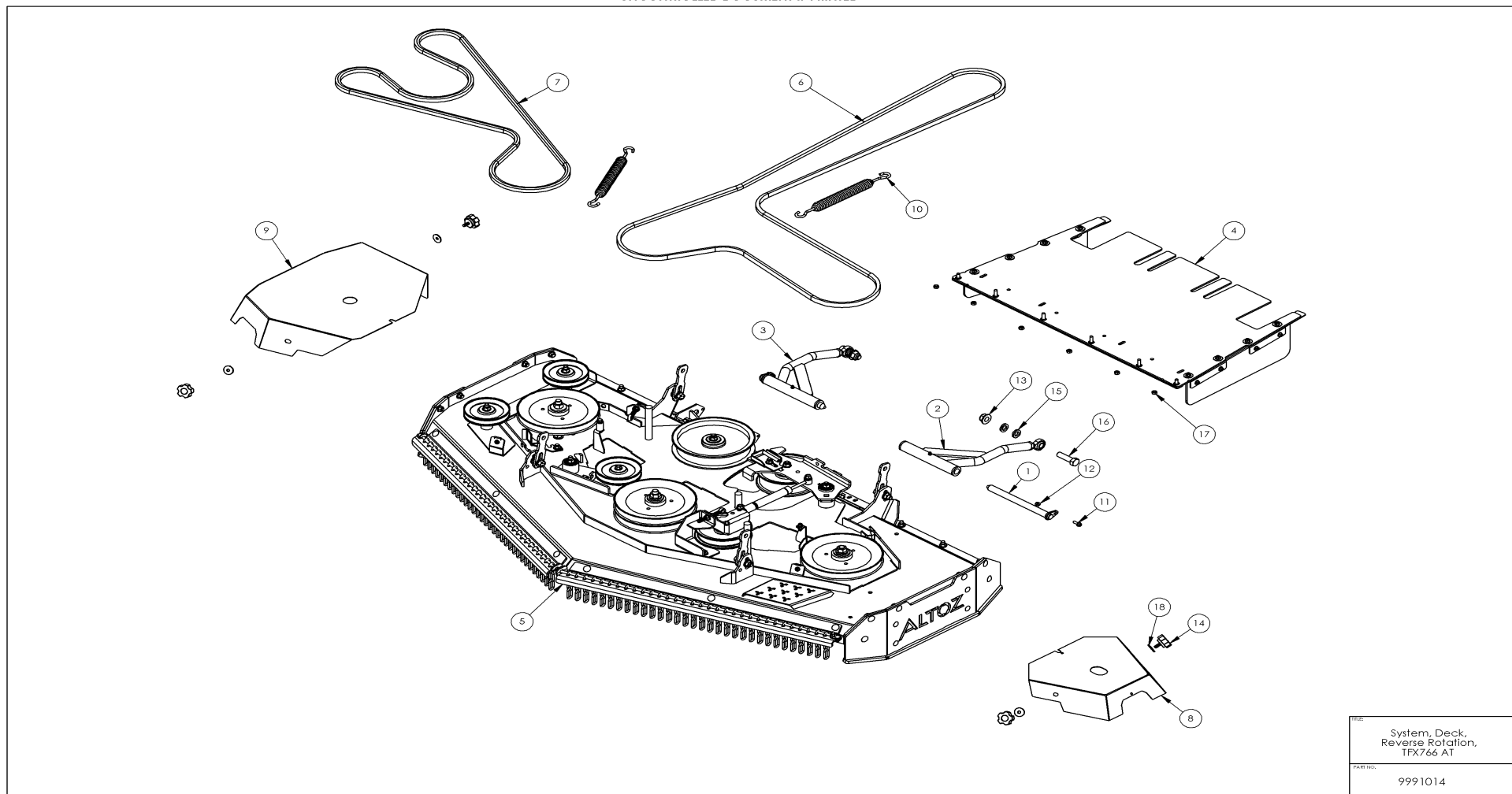


TITLE	Half Wheel, Center Drive Sprocket, Outer, TFX766
PART NO.	2001842

Ref#	Part#	Description	Qty
1	3107687	CENTER DRV SPROCKET,SMALL RING,.25",766	1
2	3108744	CENTER DR SPROCK,LARGE RING,.25",TFX766	1
3	3107690	CTR DR SPROCK,LARGE CTR RING,.25",TRX766	1
4	3107691	HUB,CENTER DRV SPROCKET,16P,.25",TRX766	1
5	5000147	BOLT	6
6	5000174	WASHER, PKG QTY (10)	6
7	5000634	NUT, PKG QTY 20	6
8	5000876	SPRING PIN,COILED,.25"ODX.75"L,PL	2

9991014, SYS,DECK,REVERSE ROTATION,TFX766 AT,2026

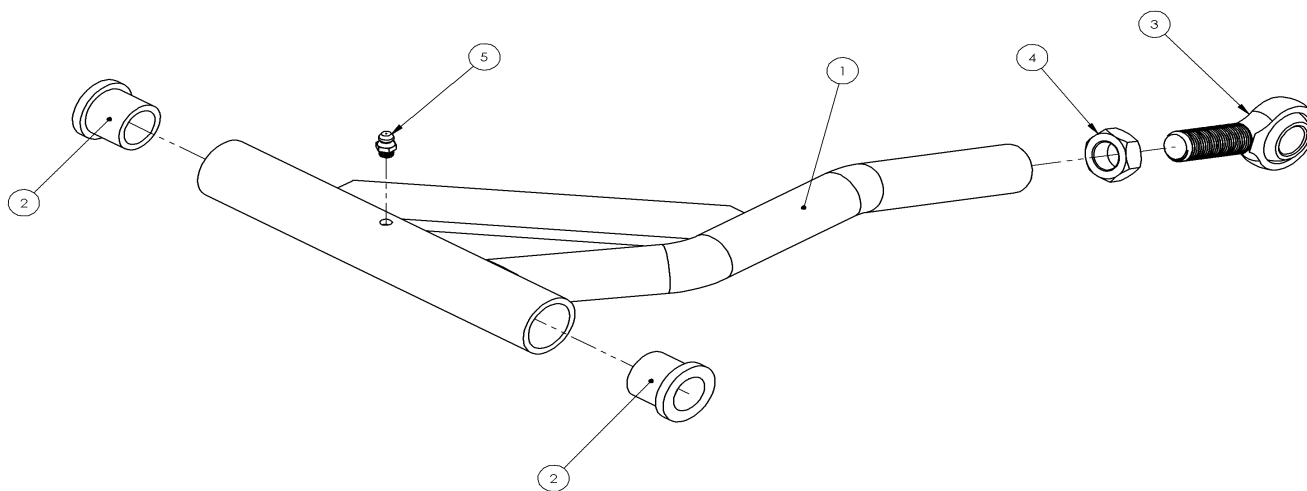
UNCONTROLLED DOCUMENT IF PRINTED



Ref#	Part#	Description	Qty
1	1200678	WELD,DECK STABZ PIN,REAR,ZY,TRX/XPHD	2
2	2001036	ASM,DECK STABLZR ARM,LH,RND,TRX610/660	1
3	2001037	ASM,DECK STABLZR ARM,RH,RND,TRX610/660	1
4	2001447	ASM,DECK DEBRIS SHIELD,TRX766 AT	1
5	2001844	ASM,AT DECK,REVERSE ROTATION,TFX766	1
6	2900333	VBELT	1
7	2900732	HEX BELT,KEVLAR,BB112	1
8	3103946	DECK COVER,PULLEY,16GA,XPHD/TRX/561A/660	1
9	3107582	PULLEY COVER,RH,REV RTN,16GA,TRX/TFX766	1
10	5000077	SPRING	2
11	5000126	BOLT, PKG QTY (10)	2
12	5000156	NUT, PKG QTY 20	2
13	5000163	NUT, PKG QTY (10)	2
14	5000183	KNOB	4
15	5000293	WASHER	4
16	5000548	SCREW	2
17	5000628	NUT, PKG QTY (10)	6
18	5000965	WASHER,5/16"X1.125"OD,18-8,SS,NEOPRENE	4

2001036, ASM,DECK STABLZR ARM,LH,RND,TRX610/660

UNCONTROLLED DOCUMENT IF PRINTED

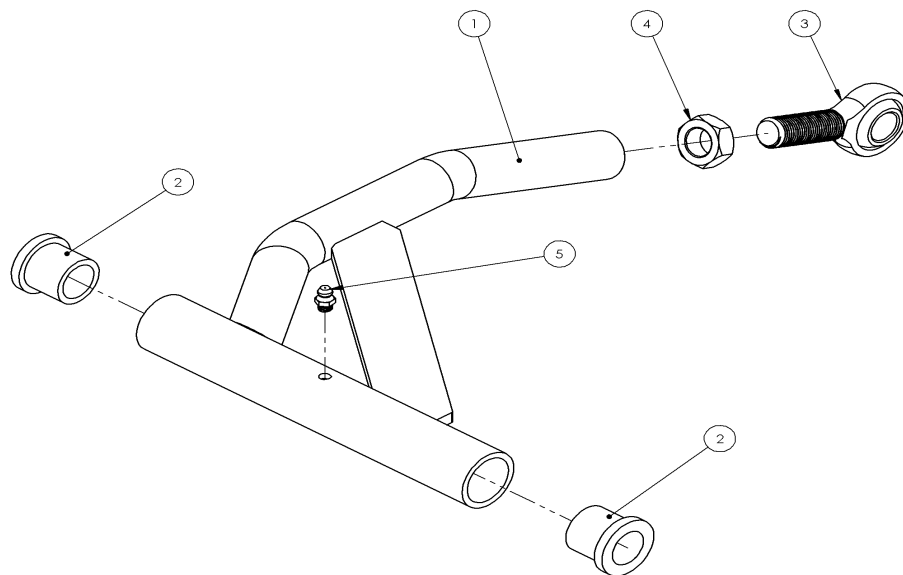


ITEM	ASM,ROUND STABILIZER ARM,LH, TRX
PART NO.	2001036

Ref#	Part#	Description	Qty
1	1200743	WELD,DECK STABILIZER ARM,LH,ROUND,TRX	1
2	5000093	BUSHING	2
3	5000570	ROD END,MALE,SPHER,5/8"-18 RH,5/8"ID,ZC	1
4	5000573	NUT, PKG QTY (10)	1
5	5000787	GREASE FITTING,STRAIGHT,1/4-28	1

2001037, ASM,DECK STABLZR ARM,RH,RND,TRX610/660

UNCONTROLLED DOCUMENT IF PRINTED

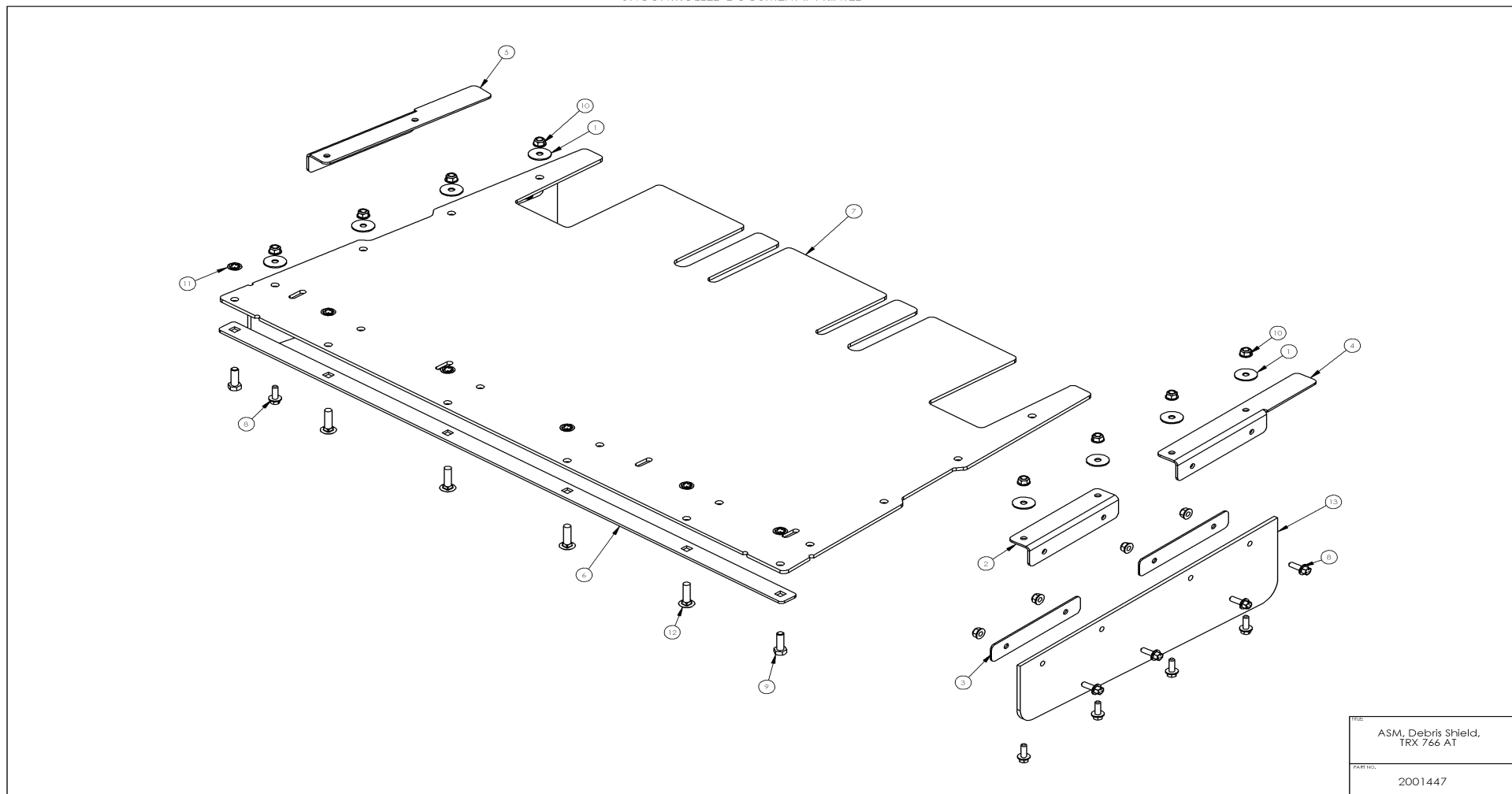


ITEM	ASM,ROUND STABILIZER ARM,RH, TRX
PART NO.	2001037

Ref#	Part#	Description	Qty
1	1200752	WELD,DECK STABILIZER ARM,RH,ROUND,TRX	1
2	5000093	BUSHING	2
3	5000570	ROD END,MALE,SPHER,5/8"-18 RH,5/8"ID,ZC	1
4	5000573	NUT, PKG QTY (10)	1
5	5000787	GREASE FITTING,STRAIGHT,1/4-28	1

2001447, ASM,DECK DEBRIS SHIELD,TRX766 AT

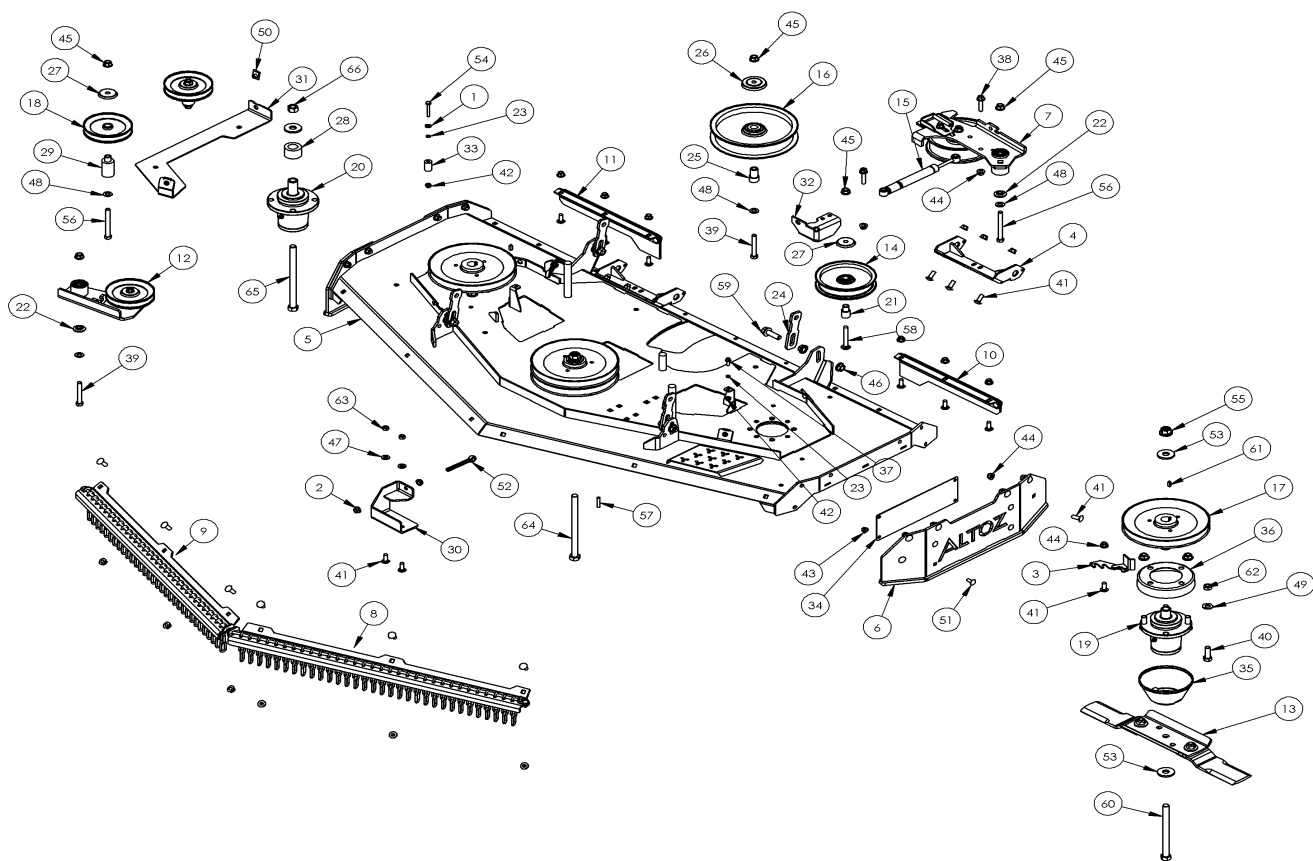
UNCONTROLLED DOCUMENT IF PRINTED



Ref#	Part#	Description	Qty
1	5083	WASHER	8
2	3106630	MNT,TRACK GUARD,FRONT,12GA,TRX766 AT	2
3	3106631	STRAP,TRACK GUARD,DEBRIS,14GA,TRX766 AT	4
4	3106647	BRKT,DEBRIS SHIELD,LH REAR,12GA,TRX766AT	1
5	3106648	BRKT,DEBRIS SHIELD,RH REAR,12GA,TRX766AT	1
6	3106686	PLATE,DEBRIS SHIELD,SQ,34.625,10GA,766AT	1
7	4000161	DEBRIS SHIELD,DECK,TRX AT,20.75X34,HDPE	1
8	5000126	BOLT, PKG QTY (10)	16
9	5000134	SCREW	2
10	5000156	NUT, PKG QTY 20	16
11	5000428	NUT	6
12	5000559	BOLT	4
13	5500077	TRACK GUARD,3PLY RUBBER,BLK,TRX766 AT	2

2001844, ASM,AT DECK,REVERSE ROTATION,TFX766

UNCONTROLLED DOCUMENT IF PRINTED



Asm. AT Deck,
Reverse Rotation,
TFX766

PART NO.

2001844

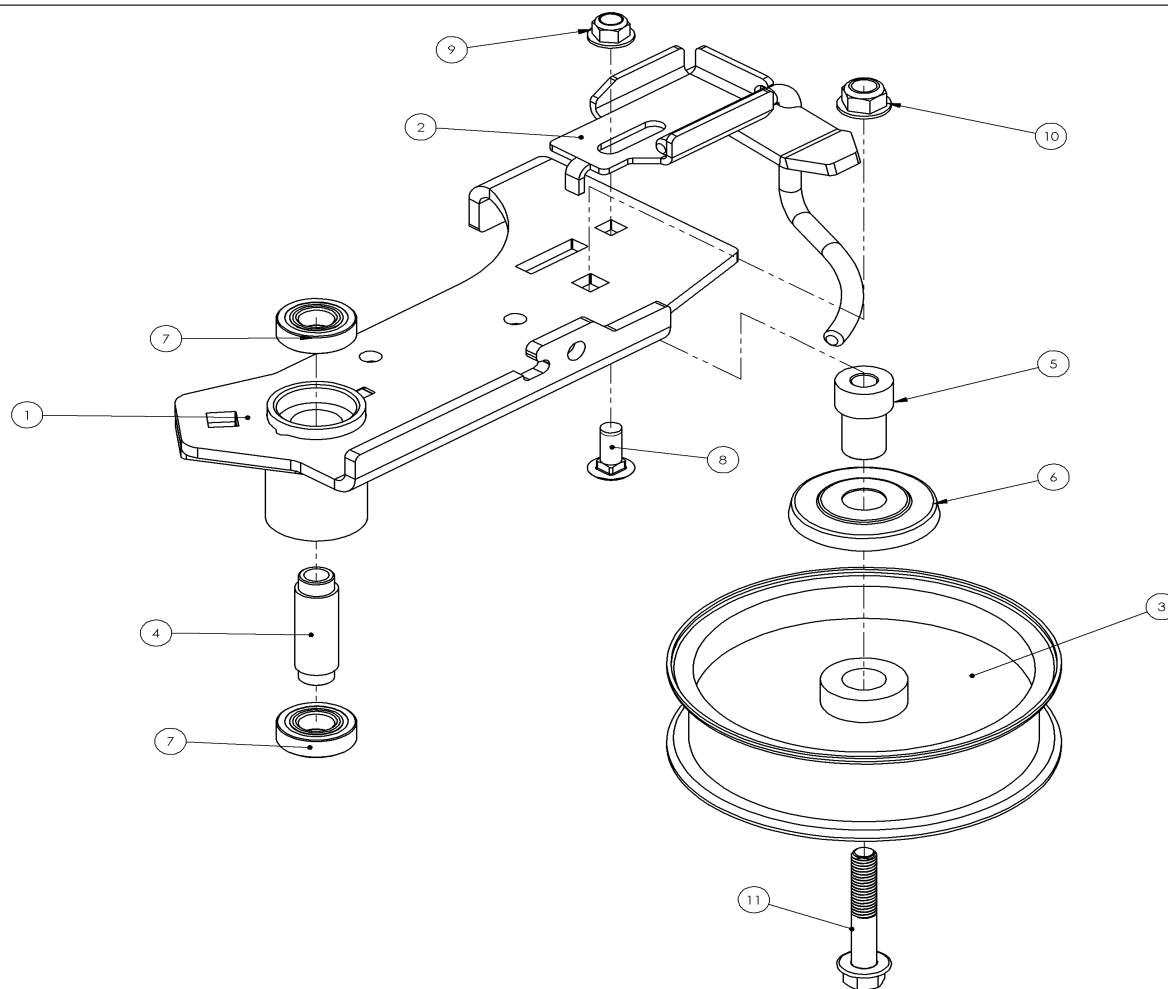
Ref#	Part#	Description	Qty
1	5647	WASHER	1
2	7787	NUT, PKG QTY 10	4
3	1200675	WELD,BELT GUIDE,UNIVERSAL,XPHD/TRX/TFX	1
4	1201029	WELD,DECK STABILIZER BRKT,TRX/TFX766 AT	2
5	1201305	WELD,DECK SHELL,RVRSBL RTN,TRX/TFX766 AT	1
6	1201495	WELD,DECK TRIM EDGE,TFX766 AT	2
7	2001178	ASM,DECK TENSIONER,XCZ/XPHD/TRX	1
8	2001357	ASM,FRONT CHAIN GUARD,LH,TRX766 AT	1
9	2001358	ASM,FRONT CHAIN GUARD,RH,TRX766 AT	1
10	2001443	ASM,REAR GUARD,RBR,LH,TRX561 AT	1
11	2001444	ASM,REAR GUARD,RBR,RH,TRX561 AT	1
12	2001620	ASM,BB DECK TENSIONER,REV RTN,TRX/TFX766	1
13	2001621	ASM,BLADE HUB,DUAL EDGE,TRX/FX/66"/44"AT	3
14	2900287	PULLEY	1
15	2900470	DAMPER,SROID,200N,88MM STROKE	1
16	2900622	PULLEY,FLAT IDLER,9"ODX0.76"ID,DBL BB	1
17	2900628	SPINDLE PULLEY,W/HUB,9.04"OD,BLK,TRX AT	4
18	2900661	PULLEY,V IDLER,5"ODX0.635"ID,ZY	2
19	2900746	SPINDLE ASM,CLAMP STYLE,W/GREASE,AT DECK	1
20	2900749	SPINDLE ASM,CLMP,EXT.SHAFT,W/GREASE,TSX	2
21	3100498	SPACER SLEEVE	1
22	3100502	LOWER SPACER	2
23	3100700	SPACER WASHER,DECK COVER,12GA	2
24	3104316	LIFT LINK,DECK,.25",TRX	4
25	3105299	SPACER SLEEVE,DECK PULLEY,1"ODX1.735",ZY	1
26	3105921	DUST CAP,IDL PULLEY,DBL BRG,20GA,.453"ID	1
27	3105923	DUST CAP,IDL PULLEY,SGL BRG,20GA,.453"ID	3

28	3107580	SPACER,SPINDLE PULLEY,REV RTN,ZY,TRX766	1
29	3107581	SPACER SLEEVE,DECK PULLEY,ZY,TRX766	2
30	3107747	BRKT,SPRING MNT,W/DAMPER,7GA,TRX/FX766	1
31	3107784	MNT,PULLEY COVER,10GA,REV RTN,TRX/TFX766	1
32	3107785	MNT,DAMPER,7GA,REV RTN,TRX/TFX766	1
33	3107786	SPACER,PULLEY COVER,ALUM,REV RTN KIT	1
34	3108746	BACKER PLATE,TRIM EDGE,16GA,TFX766 AT	2
35	3108911	SPINDLE GUARD,CUP,STAMPED,ZY,AT DECK	3
36	3108912	SPINDLE GUARD,TOP CAP,STAMPED,ZY,AT DECK	3
37	5000126	BOLT, PKG QTY (10)	1
38	5000131	BOLT, PKG QTY 10	2
39	5000139	SCREW	2
40	5000142	SCREW	12
41	5000154	BOLT, PKG QTY 10	33
42	5000156	NUT, PKG QTY 20	2
43	5000157	NUT, PKG QTY 10	8
44	5000159	NUT, PKG QTY 20	33
45	5000161	NUT, PKG QTY 10	6
46	5000164	NUT, PKG QTY 10	8
47	5000174	WASHER, PKG QTY (10)	2
48	5000175	WASHER, PKG QTY (10)	5
49	5000176	WASHER, PKG QTY (10)	12
50	5000181	NUT, PKG QTY 10	4
51	5000196	BOLT	8
52	5000230	ROD END	2
53	5000262	WASHER	6
54	5000273	SCREW	1
55	5000337	NUT, PKG QTY 10	2

56	5000360	SCREW	3
57	5000365	KEY,SQUARE,.25"X1.375"L,ZC	1
58	5000447	BOLT,CARRIAGE,7/16-14X3",PRT THR,GR5,ZY	1
59	5000476	BOLT	4
60	5000560	SCREW	1
61	5000565	KEY,SQUARE,.25"X.625"L,ZC	2
62	5000584	NUT, PKG QTY 10	12
63	5000634	NUT, PKG QTY 20	2
64	5000904	SCREW,5/8"-18X9",HHCS,GR5,ZY	1
65	5000905	SCREW,5/8"-11X9"LH,HHCS,GR5,ZY	1
66	5000907	NUT,5/8"-11,LH,HEX,ZY	1

2001178, ASM, DECK TENSIONER, XCZ/XPHD/TRX

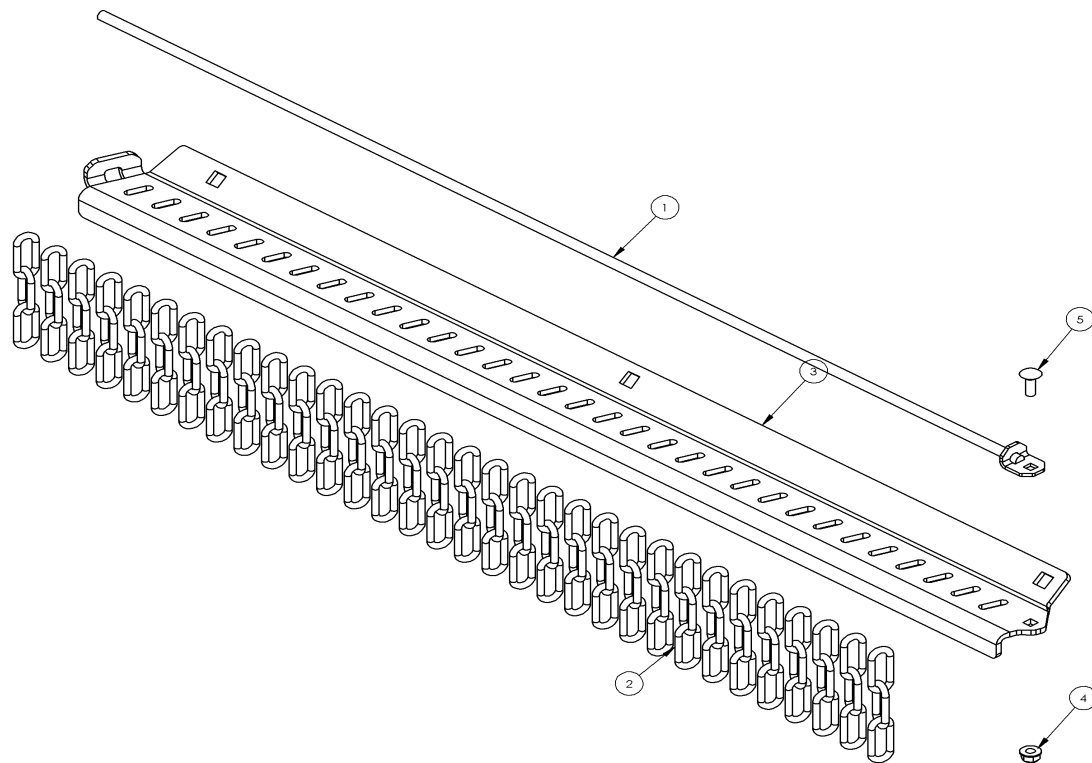
UNCONTROLLED DOCUMENT IF PRINTED

TENSIONER ASSEM,
Deck, TRX 766PART NO.
2001178

Ref#	Part#	Description	Qty
1	1200067	WELD,DECK TENSIONER,XC/XPHD/TRX	1
2	1200452	WELD,TENSIONER ROD GUIDE,XC/XPHD/TRX	1
3	2900621	PULLEY,FLAT IDLER,6.75"ODX0.76"ID,DBL BB	1
4	3100501	SLEEVE	1
5	3105299	SPACER SLEEVE,DECK PULLEY,1"ODX1.735",ZY	1
6	3105922	DUST CAP,IDL PULLEY,DBL BRG,20GA,.766"ID	1
7	5000082	BEARING	2
8	5000146	BOLT, PKG QTY 10	1
9	5000159	NUT, PKG QTY 20	1
10	5000161	NUT, PKG QTY 10	1
11	5000688	BOLT,7/16"-14X2-3/4",FLANGED HH,GR8,ZY	1

2001357, ASM, FRONT CHAIN GUARD, LH, TRX766 AT

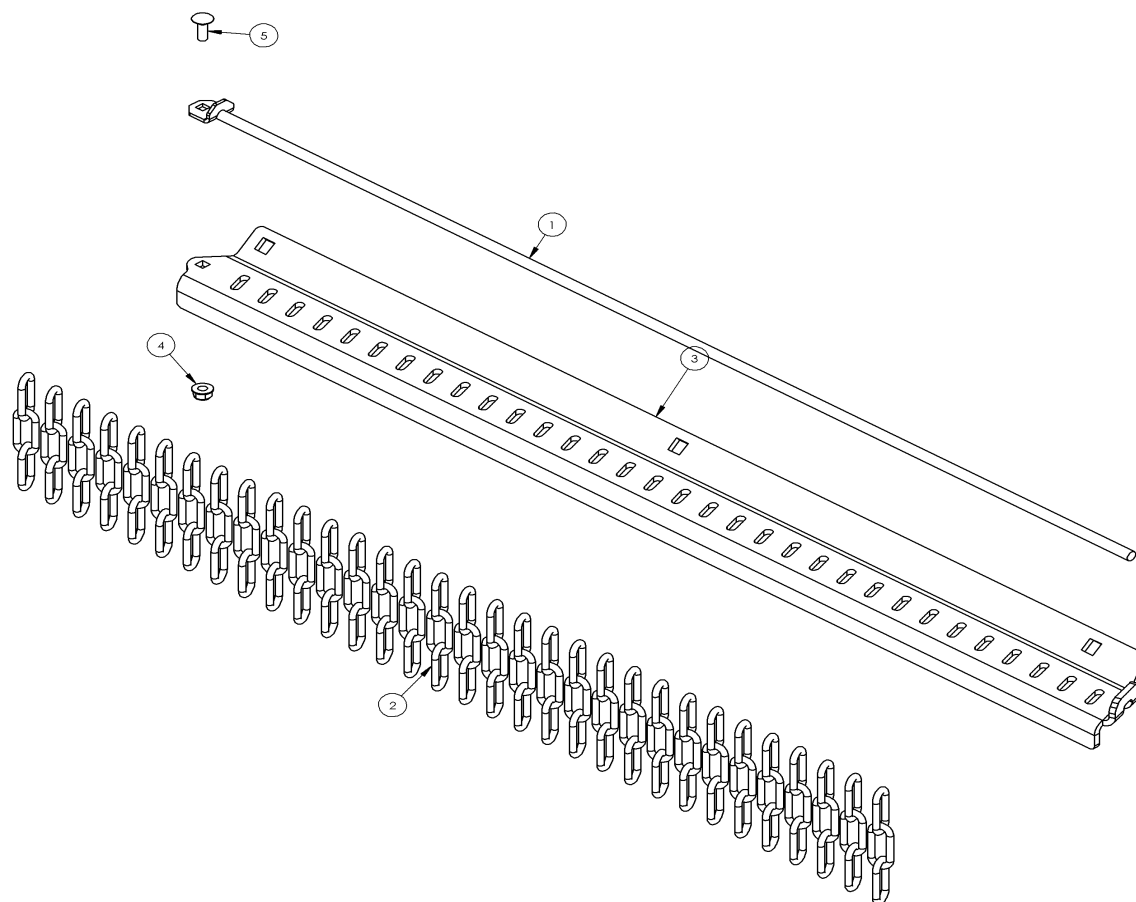
UNCONTROLLED DOCUMENT IF PRINTED

Asm, Front Chain
Guard, LH, TRX766 ATPART NO.
2001357

Ref#	Part#	Description	Qty
1	1200668	WELD,CHAIN KEEPER,TRX660/766 AT	1
2	3104124	CHAIN,3 LINK,STRAIGHT,2/0 ELECTRO GALV	32
3	3106397	MNT,CHAIN GUARD,LH,7GA,TRX766 AT	1
4	5000156	NUT, PKG QTY 20	1
5	5000492	BOLT	1

2001358, ASM, FRONT CHAIN GUARD, RH, TRX766 AT

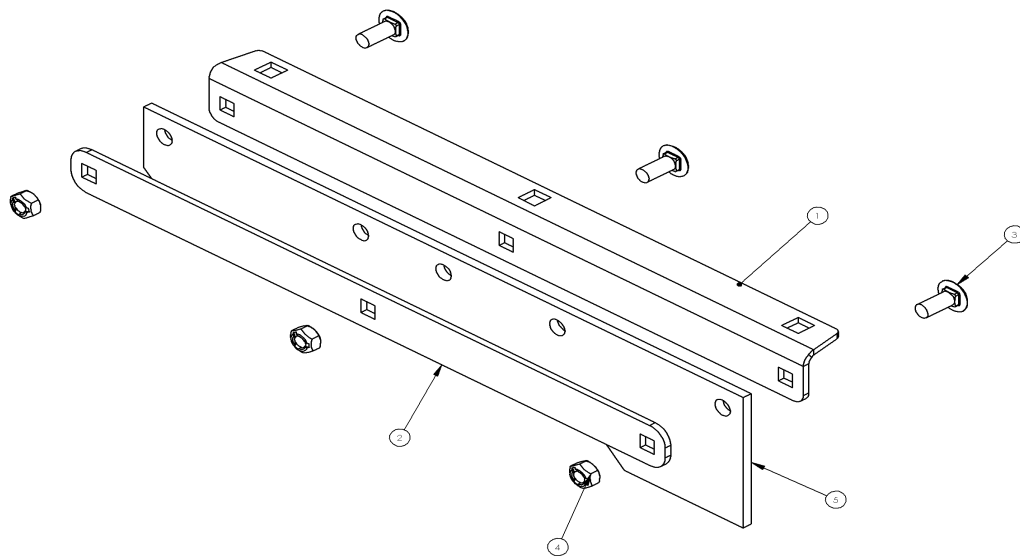
UNCONTROLLED DOCUMENT IF PRINTED

Asm. Front Chain
Guard, RH, TRX766 ATPART NO.
2001358

Ref#	Part#	Description	Qty
1	1200668	WELD,CHAIN KEEPER,TRX660/766 AT	1
2	3104124	CHAIN,3 LINK,STRAIGHT,2/0 ELECTRO GALV	32
3	3106398	MNT,CHAIN GUARD,RH,7GA,TRX766 AT	1
4	5000156	NUT, PKG QTY 20	1
5	5000492	BOLT	1

2001443, ASM, REAR GUARD, RBR, LH, TRX561 AT

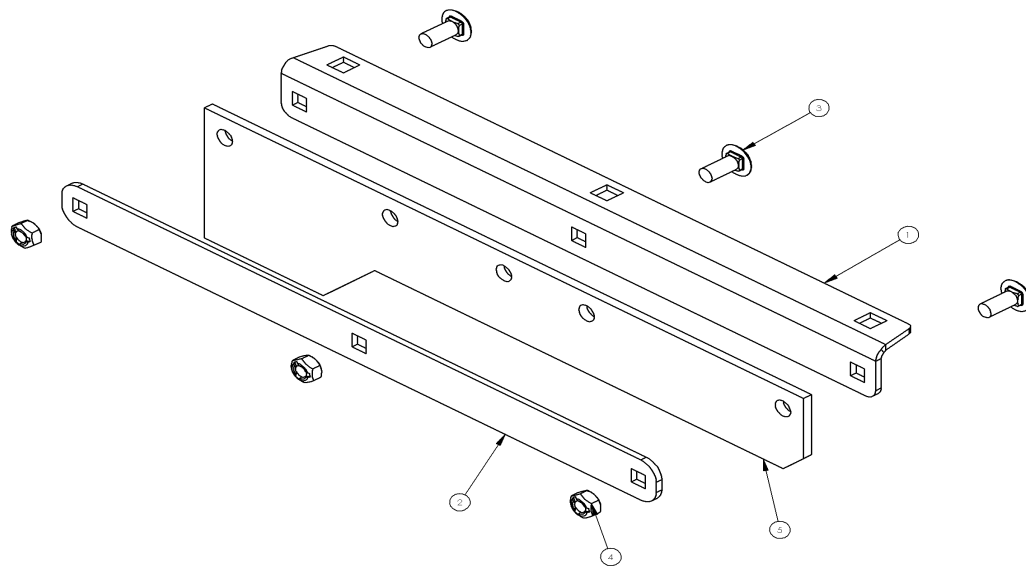
UNCONTROLLED DOCUMENT IF PRINTED

ASM, REAR GUARD,
RBR, LH, TRX766 ATPART NO.
2001443

Ref#	Part#	Description	Qty
1	3106344	MNT,LH/RH REAR GUARD,10GA,TSX/TRX AT	1
2	3106345	STRAP,LH/RH REAR GUARD,10GA,TSX/TRX AT	1
3	5000196	BOLT	3
4	5000628	NUT, PKG QTY (10)	3
5	5500074	REAR GUARD,3PLY RUBBER,14.50",TRX766 AT	1

2001444, ASM, REAR GUARD, RBR, RH, TRX561 AT

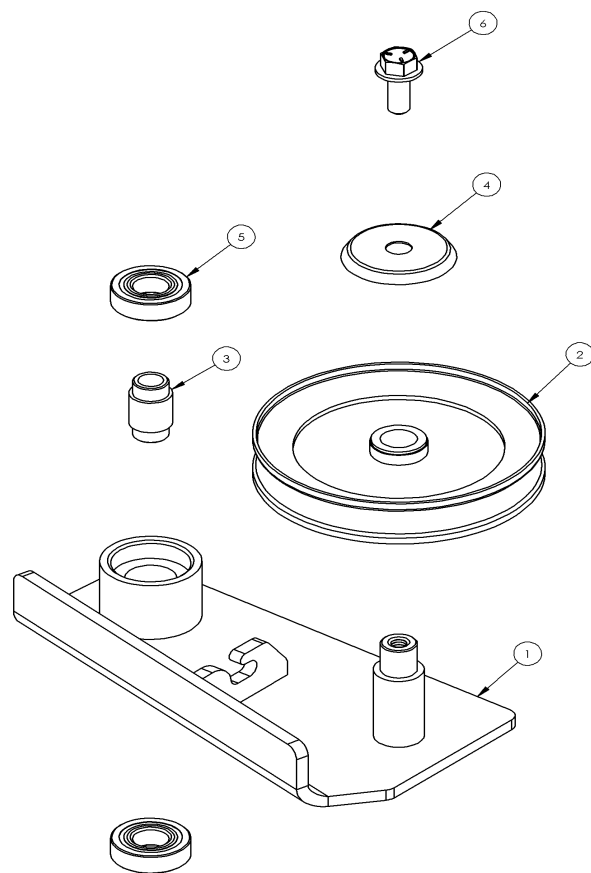
UNCONTROLLED DOCUMENT IF PRINTED

ASM, Rear Guard,
RBR, RH, TRX766 ATPART NO.
2001444

Ref#	Part#	Description	Qty
1	3106344	MNT,LH/RH REAR GUARD,10GA,TSX/TRX AT	1
2	3106345	STRAP,LH/RH REAR GUARD,10GA,TSX/TRX AT	1
3	5000196	BOLT	3
4	5000628	NUT, PKG QTY (10)	3
5	5500074	REAR GUARD,3PLY RUBBER,14.50",TRX766 AT	1

2001620, ASM, BB DECK TENSIONER, REV RTN, TRX/TFX766

UNCONTROLLED DOCUMENT IF PRINTED

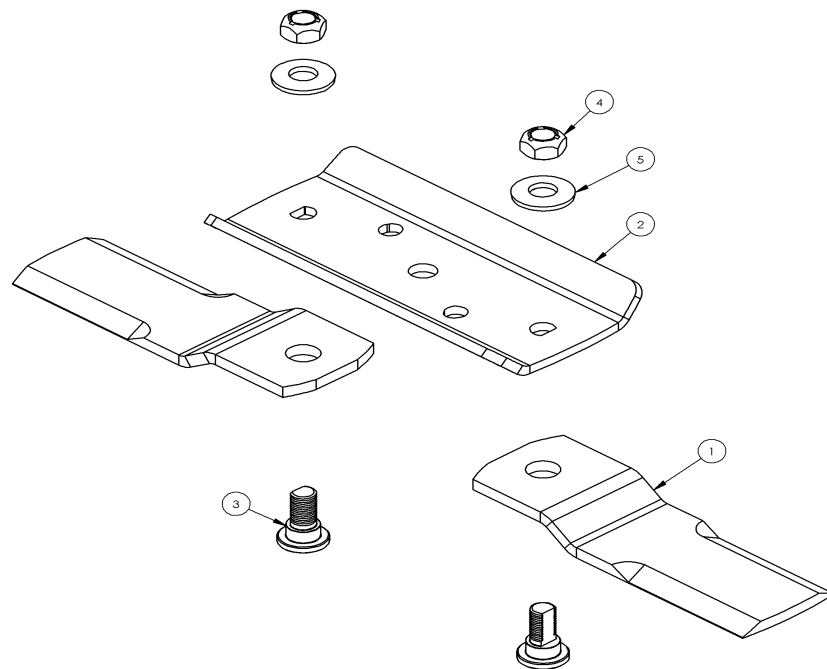


TITLE	Asm. BB Deck Tensioner, Reverse Rotation, TRX766
PART NO.	2001620

Ref#	Part#	Description	Qty
1	1201264	WELD,BB DECK TENS,REV RTN,TRX/TFX766	1
2	2900661	PULLEY,V IDLER,5"ODX0.635"ID,ZY	1
3	3100503	SLEEVE	1
4	3105923	DUST CAP,IDL PULLEY,SGL BRG,20GA,.453"ID	1
5	5000082	BEARING	2
6	5000130	BOLT,3/8"-16X1", PKG QTY (10)	1

2001621, ASM, BLADE HUB, DUAL EDGE, TRX/FX/66"/44"AT

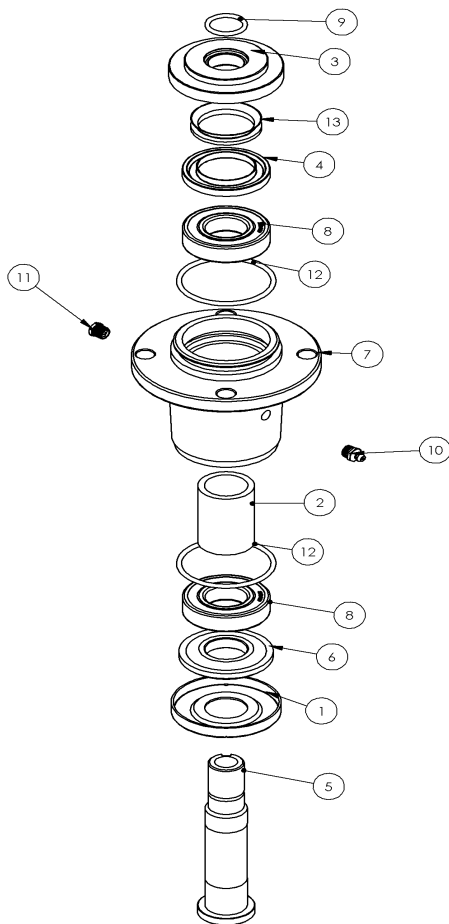
UNCONTROLLED DOCUMENT IF PRINTED

Title
Asm, Blade Hub, Dual
Cutting Edge, TRX766PART NO.
2001621

Ref#	Part#	Description	Qty
1	2900731	BLADE,DUAL CUTTING EDGE,AT,TRX/TSX/SWT	2
2	3104666	HUB,BLADE,NARROW,.25",TRX660/766 AT	1
3	5000617	BOLT,BLADE,W/FLAT,9/16"-18 UNF,ZY	2
4	5000618	NUT,9/16"-18,TOP LOCK,ZC/WAX	2
5	5000984	WASHER,BELLEVILLE,.591IDX1.378ODX.138,ZY	2

2900746, SPINDLE ASM, CLAMP STYLE, W/GREASE, AT DECK

UNCONTROLLED DOCUMENT IF PRINTED

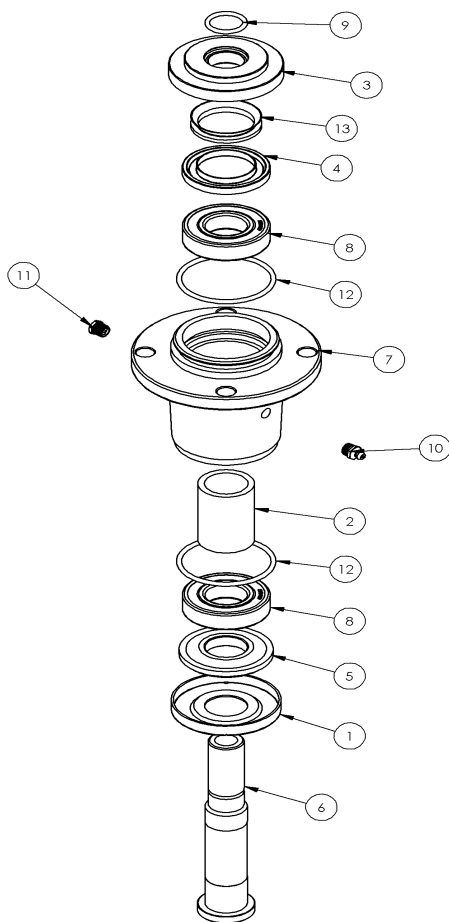


FILE	Assembly, Clamp Style, AT Spindle, w Grease
PART NO.	2900746

Ref#	Part#	Description	Qty
1	3104284	DUST SHIELD,LWR,DECK SPINDLE,ZY,TRX AT	1
2	3105302	SPACER,SPINDLE BEARING,ZC,TRX AT	1
3	3105303	DUST SHIELD,UPP,DECK SPINDLE,ZY,TRX AT	1
4	3105304	RETAINER,V-SEAL,SPINDLE,1.66ID,ZC,TRX AT	1
5	3105305	SHAFT,SPINDLE,CLAMP STYLE,PL,TRX AT	1
6	3105306	WASHER,LOWER SEAL,SPINDLE,ZY,TRX AT	1
7	3107563	SPINDLE HOUSING,TAPPED FOR GREASE FIT	1
8	5000686	BEARING,SPINDLE,SEALED/SHIELD,TRX AT	2
9	5000687	O-RING,SPINDLE,SIZE-211,BUNA-N,TRX AT	1
10	5000734	GREASE FIT,STRAIGHT,1/8"NPT,ZY	1
11	5000946	FIT,GREASE RELIEF,1/8"NPT,1-5 PSI RANGE	1
12	5500031	O-RING,SPINDLE,SIZE-230,BUNA-N,TRX AT	2
13	5500050	V-LIP SEAL,SPINDLE,1.575"ID,45,TRX AT	1

2900749, SPINDLE ASM,CLMP,EXT.SHAFT,W/GREASE,TSX

UNCONTROLLED DOCUMENT IF PRINTED



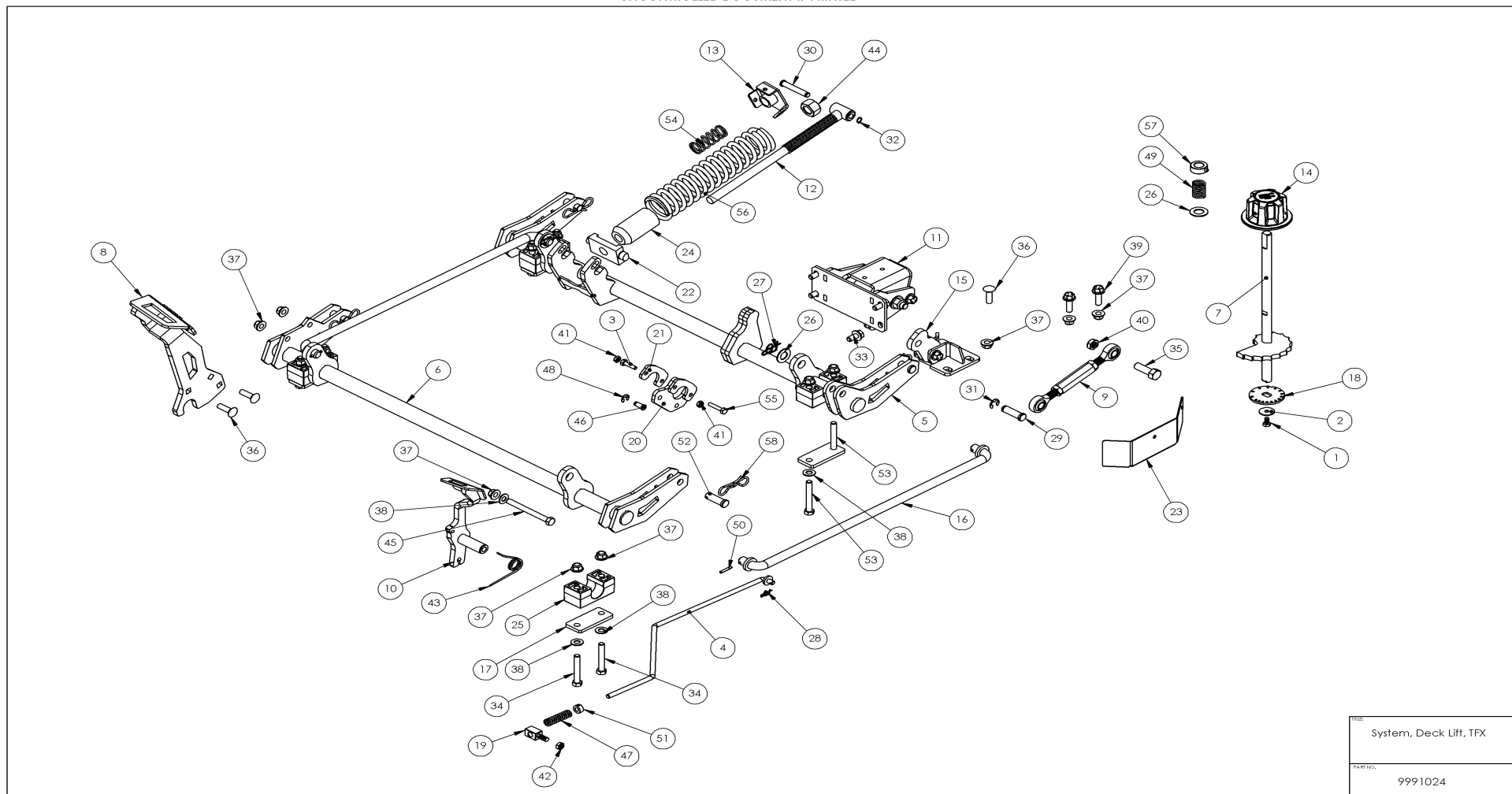
Spindle Asm, Cl, Ext
Shaft, AT Spindle, w
Grease

PART NO.
2900749

Ref#	Part#	Description	Qty
1	3104284	DUST SHIELD,LWR,DECK SPINDLE,ZY,TRX AT	1
2	3105302	SPACER,SPINDLE BEARING,ZC,TRX AT	1
3	3105303	DUST SHIELD,UPP,DECK SPINDLE,ZY,TRX AT	1
4	3105304	RETAINER,V-SEAL,SPINDLE,1.66ID,ZC,TRX AT	1
5	3105306	WASHER,LOWER SEAL,SPINDLE,ZY,TRX AT	1
6	3106381	SHAFT,SPINDLE,EXT,CLAMP STYLE,PL,TSX AT	1
7	3107563	SPINDLE HOUSING,TAPPED FOR GREASE FIT	1
8	5000686	BEARING,SPINDLE,SEALED/SHIELD,TRX AT	2
9	5000687	O-RING,SPINDLE,SIZE-211,BUNA-N,TRX AT	1
10	5000734	GREASE FIT,STRAIGHT,1/8"NPT,ZY	1
11	5000946	FIT,GREASE RELIEF,1/8"NPT,1-5 PSI RANGE	1
12	5500031	O-RING,SPINDLE,SIZE-230,BUNA-N,TRX AT	2
13	5500050	V-LIP SEAL,SPINDLE,1.575"ID,45,TRX AT	1

9991024, DECK LIFT, SYSTEM, TFX, 2026

UNCONTROLLED DOCUMENT IF PRINTED



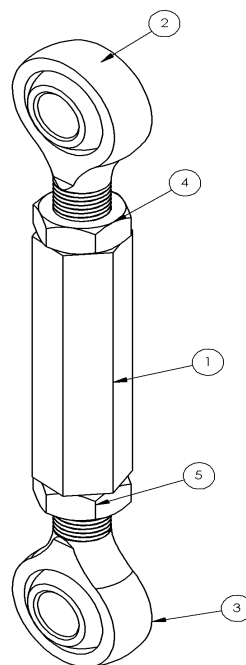
Ref#	Part#	Description	Qty
1	5082	SCREW, PKG QTY 10	1
2	5083	WASHER	1
3	5726	SCREW, PKG QTY 10	1
4	1200520	TIE ROD,DECK RELEASE,OFFSET,ZY	1
5	1200673	WELD,REAR JACKSHAFT,DECK,TRX610/66	1
6	1201486	WELD,FRONT JACKSHAFT,DECK,TRX/TFX/XC	1
7	1201499	WELD,DECK HEIGHT CAM,TFX	1
8	1201504	WELD,DECK LIFT PEDAL,BLTD,XP/TRX	1
9	2000195	ASM,DECK HEIGHT LINK,XC/XPHD/TRX	1
10	2000350	ASM,DECK RELEASE PEDAL,ARG,XC/XPHD/TRX	1
11	2000351	ASM,DECK LIFT CATCH MNT,XC/XPHD/TRX	1
12	2000352	ASM,LIFT SPRING SHAFT W/BUSH,XC/XPHD/TRX	1
13	2000366	ASM,SPRING RETAIN/BUSH,LIFT,XC/XPHD/TRX	1
14	2000771	ASM,ADJ KNOB,DK HEIGHT,XC/XP/TRX/TSX/TFX	1
15	2000936	ASM,CAM ARM PIVOT ARM,HOC,TRX610/660	1
16	3100477	WIRE TIE BAR	2
17	3100723	PLATE,BUSHING,MD JS,.25",XC/XPHD/TRX/TSX	4
18	3100904	TIMING PLATE,SLOTS,HOC,10GA,XC/XPHD/TRX	1
19	3100960	BRAKE LINK SLIDE	1
20	3101222	COLLAR,DECK LIFT,.25",XC/XPHD/TRX	1
21	3101223	COLLAR,DECK LIFT,7GA,XC/XPHD/TRX	2
22	3101226	DECK SPRING STOP	1
23	3108861	MNT,MD HEIGHT ADJMNT COVER,14GA,TFX	1
24	4000062	SPRING RETAINER SLEEVE	1
25	4000114	SNAP MOUNT,JACKSHAFT,MOLDED	4
26	5000055	WASHER	3
27	5000094	COTTER PIN	2

28	5000096	COTTER PIN	1
29	5000097	CLEVIS PIN	1
30	5000098	CLEVIS PIN	1
31	5000102	E-RING	1
32	5000105	RING	1
33	5000129	BOLT	4
34	5000136	SCREW, PKG QTY (10)	4
35	5000142	SCREW	1
36	5000147	BOLT	3
37	5000159	NUT, PKG QTY 20	14
38	5000174	WASHER, PKG QTY (10)	9
39	5000185	BOLT	2
40	5000217	NUT, THIN, PKG QTY (10)	1
41	5000221	NUT, PKG QTY (10)	2
42	5000274	NUT, PKG QTY (10)	1
43	5000294	SPRING	1
44	5000298	NUT	1
45	5000300	SCREW	1
46	5000301	CLEVIS PIN	1
47	5000306	SPRING	1
48	5000319	E-RING	1
49	5000339	SPRING	1
50	5000401	SPRING PIN,5/32X1.0",ZC	2
51	5000452	COLLAR,SHAFT,W/SET SCREW,8MM ID,BLK OX	1
52	5000563	CLEVIS PIN,W/HOLE,1/2"ODX1-1/2"L,ZY	4
53	5000564	SCREW, PKG QTY (10)	4
54	5000643	SPRING,COMPR,0.095"Wx1"ODx2.5",ZY	1
55	5000652	SCREW, PKG QTY 10	1

56	5000669	SPRING,COMPR,.283"Wx2.262"ODx10",ZY	1
57	5000685	COLLAR,SHAFT,W/SET SCREW,16MM ID,ZC	1
58	5000741	COTTER BOWTIE,7/16"SHAFTx.120"W,ZY	4

2000195, ASM, DECK HEIGHT LINK, XC/XPHD/TRX

UNCONTROLLED DOCUMENT IF PRINTED

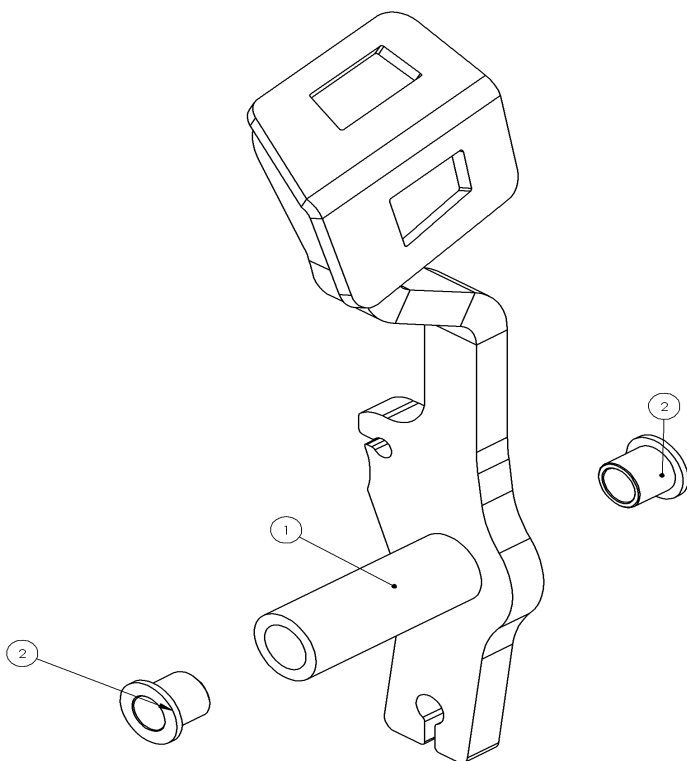


TITLE	MD Height Link Assem
PART NO.	2000195

Ref#	Part#	Description	Qty
1	5000076	NUT	1
2	5000078	ROD END	1
3	5000079	ROD END	1
4	5000170	NUT, PKG QTY (10)	1
5	5000171	NUT, LH, PKG QTY (10)	1

2000350, ASM,DECK RELEASE PEDAL,ARG,XC/XPHD/TRX

UNCONTROLLED DOCUMENT IF PRINTED



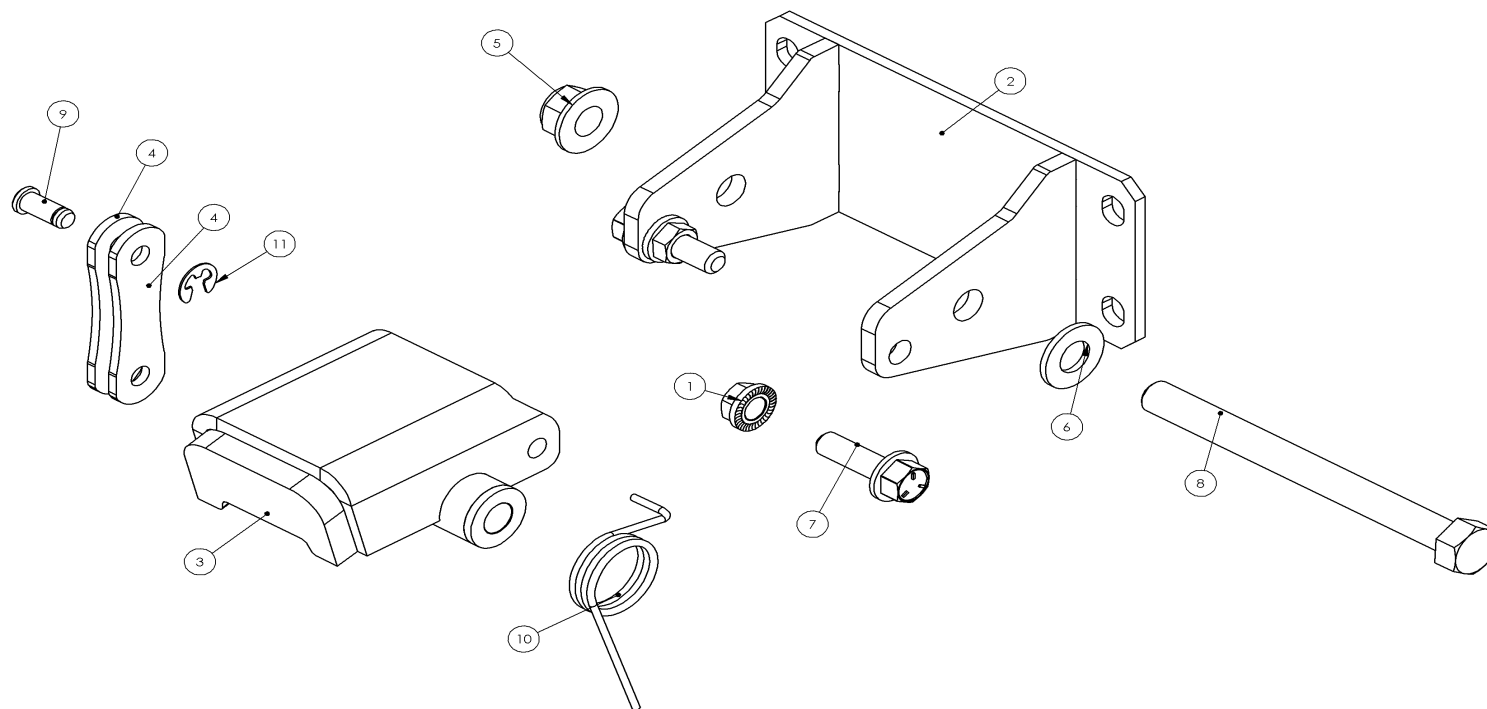
Assem, Release
Pedal w Bushings,
XCS

PART NO.
2000350

Ref#	Part#	Description	Qty
1	1200201	WELD,DECK RELEASE PEDAL,XC/XPHD/TRX	1
2	5000270	BUSHING	2

2000351, ASM, DECK LIFT CATCH MNT, XC/XPHD/TRX

UNCONTROLLED DOCUMENT IF PRINTED

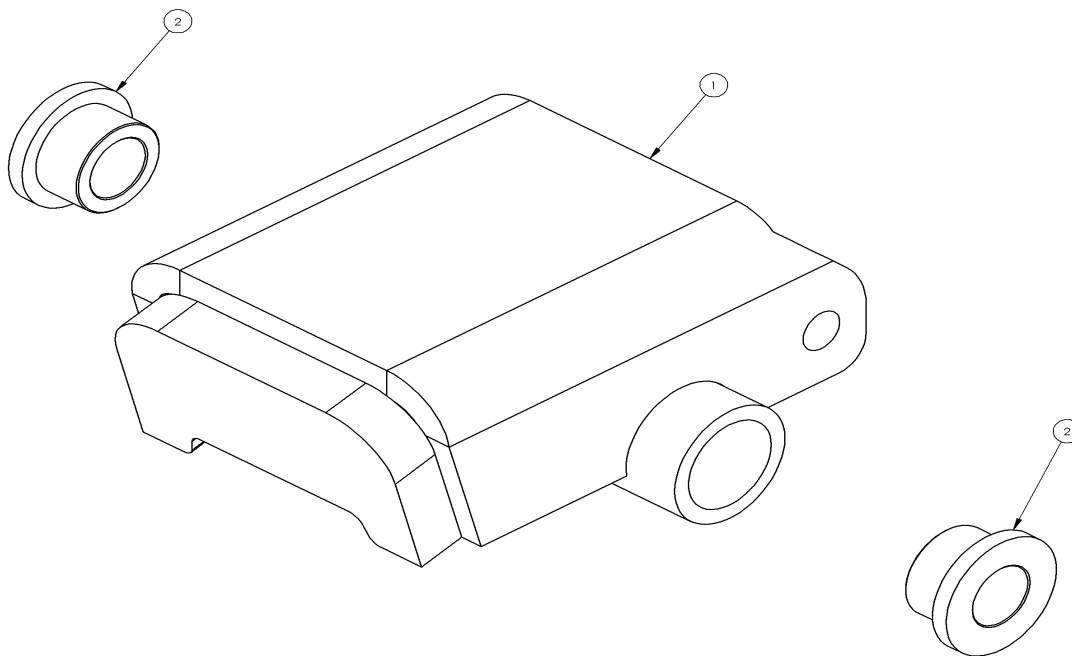


TITLE	Assem, Deck Lift Catch Mnt, XCS
PART NO.	2000351

Ref#	Part#	Description	Qty
1	7787	NUT, PKG QTY 10	2
2	1200205	WELD,DECK CATCH BASE,XC/XPHD/TRX	1
3	2000349	ASM,DECK STOP CATCH W/BUSH,XC/XPHD/TRX	1
4	3101227	CAM LINK,DECK LIFT,10GA,XC/XPHD/TRX	2
5	5000162	NUT, PKG QTY 10	1
6	5000176	WASHER, PKG QTY (10)	1
7	5000185	BOLT	2
8	5000299	SCREW	1
9	5000301	CLEVIS PIN	1
10	5000302	TORSION SPRING	1
11	5000319	E-RING	1

2000349, ASM,DECK STOP CATCH W/BUSH,XC/XPHD/TRX

UNCONTROLLED DOCUMENT IF PRINTED

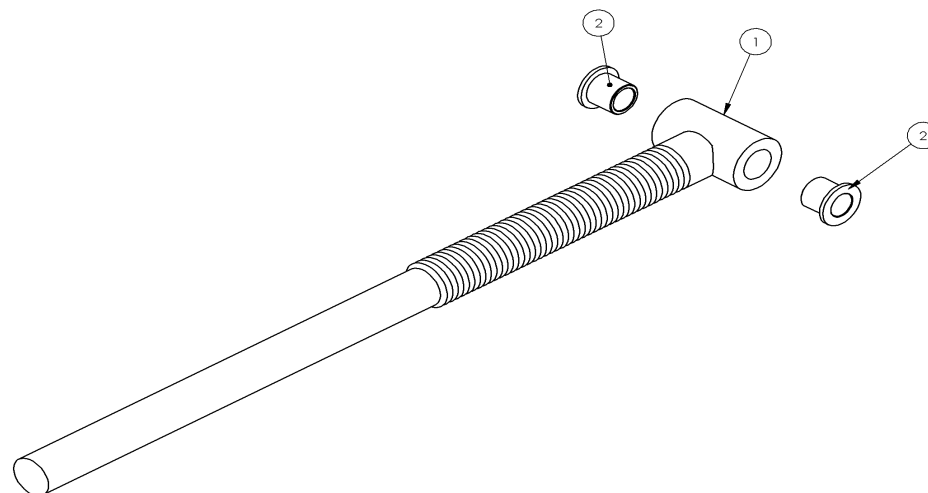


ITEM	Assem, Deck Stop Catch w Bushings, XCS
PART NO.	2000349

Ref#	Part#	Description	Qty
1	1200200	WELD,DECK STOP CATCH,XC/XPHD/TRX	1
2	5000090	BUSHING	2

2000352, ASM, LIFT SPRING SHAFT W/BUSH, XC/XPHD/TRX

UNCONTROLLED DOCUMENT IF PRINTED

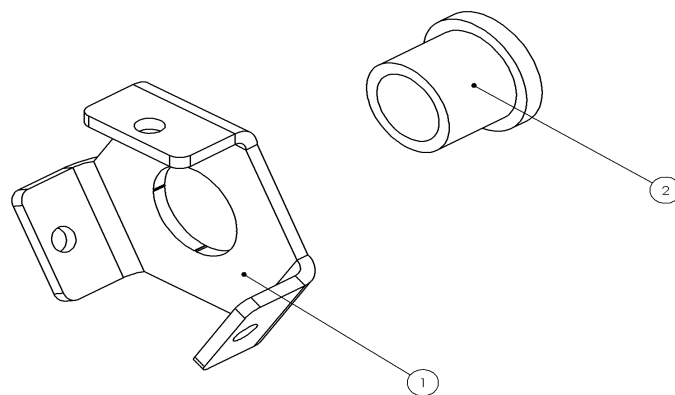


ITEM	Assem. Lift Spring Shaft w Bushings, XCS
PART NO.	2000352

Ref#	Part#	Description	Qty
1	1200202	WELD,LIFT SPRING SHAFT,XC/XPHD/TRX	1
2	5000270	BUSHING	2

2000366, ASM, SPRING RETAIN/BUSH, LIFT, XC/XPHD/TRX

UNCONTROLLED DOCUMENT IF PRINTED

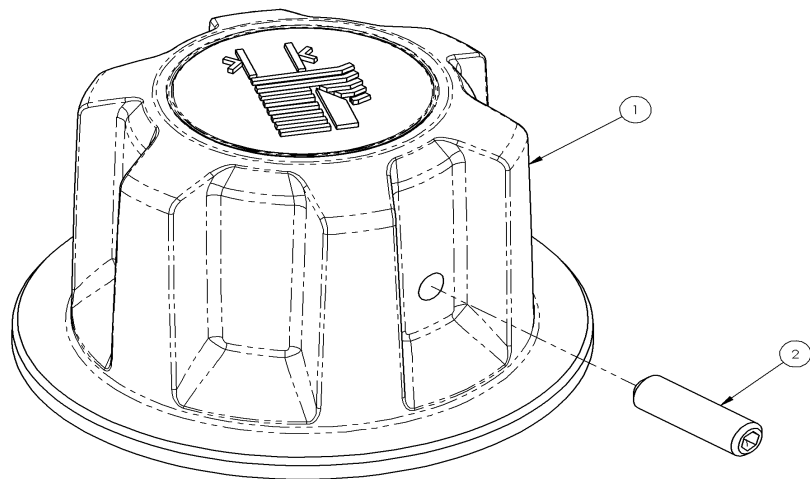


TITLE	Assem, Spring Retainer/Bushing, Deck Lift
PART NO.	2000366

Ref#	Part#	Description	Qty
1	3101233	SPRING RETAINER,DK LIFT,10GA,XC/XPHD/TRX	1
2	5000093	BUSHING	1

2000771, ASM,ADJ KNOB,DK HEIGHT,XC/XP/TRX/TSX/TFX

UNCONTROLLED DOCUMENT IF PRINTED

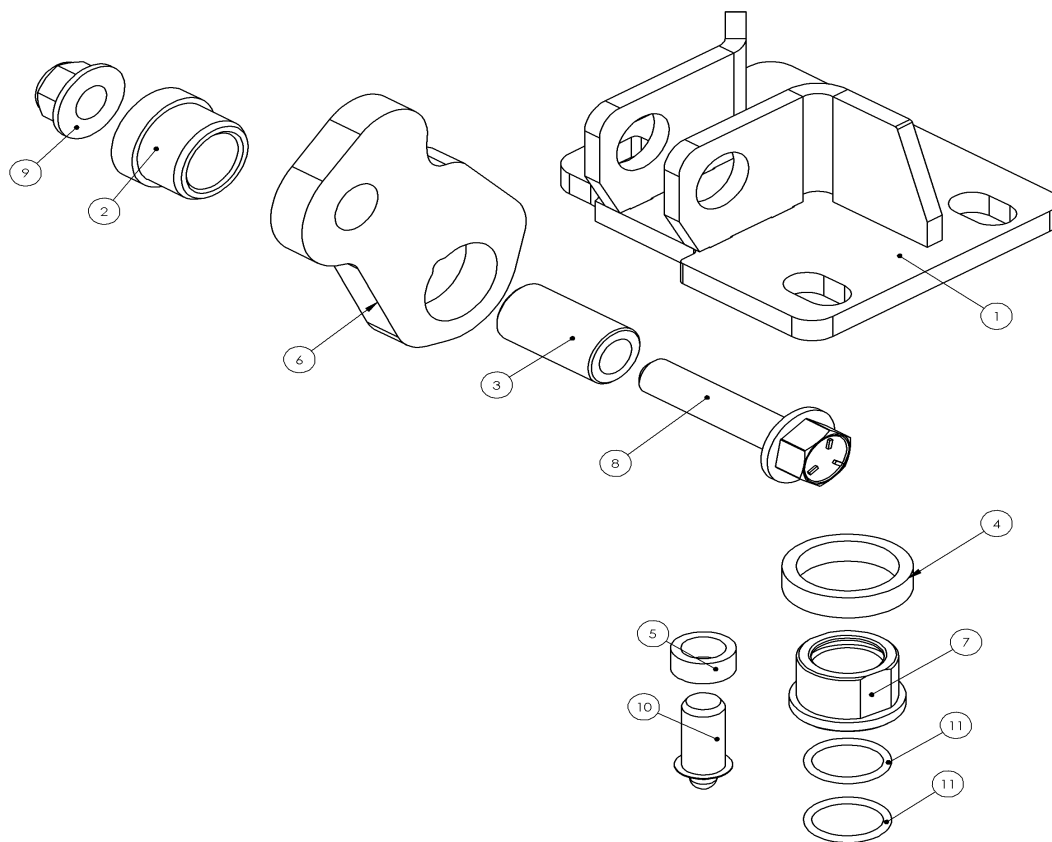


FILE	ASSY,KNOB, ADJUSTMENT,DECK HEIGHT
PART NO.	2000771

Ref#	Part#	Description	Qty
1	4000105	KNOB,ADJUSTMENT,DECK HEIGHT,MACHINED	1
2	5000684	SCREW,1/4"-20X7/8",HEX SET-CUP PT,SS	1

2000936, ASM,CAM ARM PIVOT ARM,HOC,TRX610/660

UNCONTROLLED DOCUMENT IF PRINTED

Assem, Cam Arm,
Deck Height, TRX

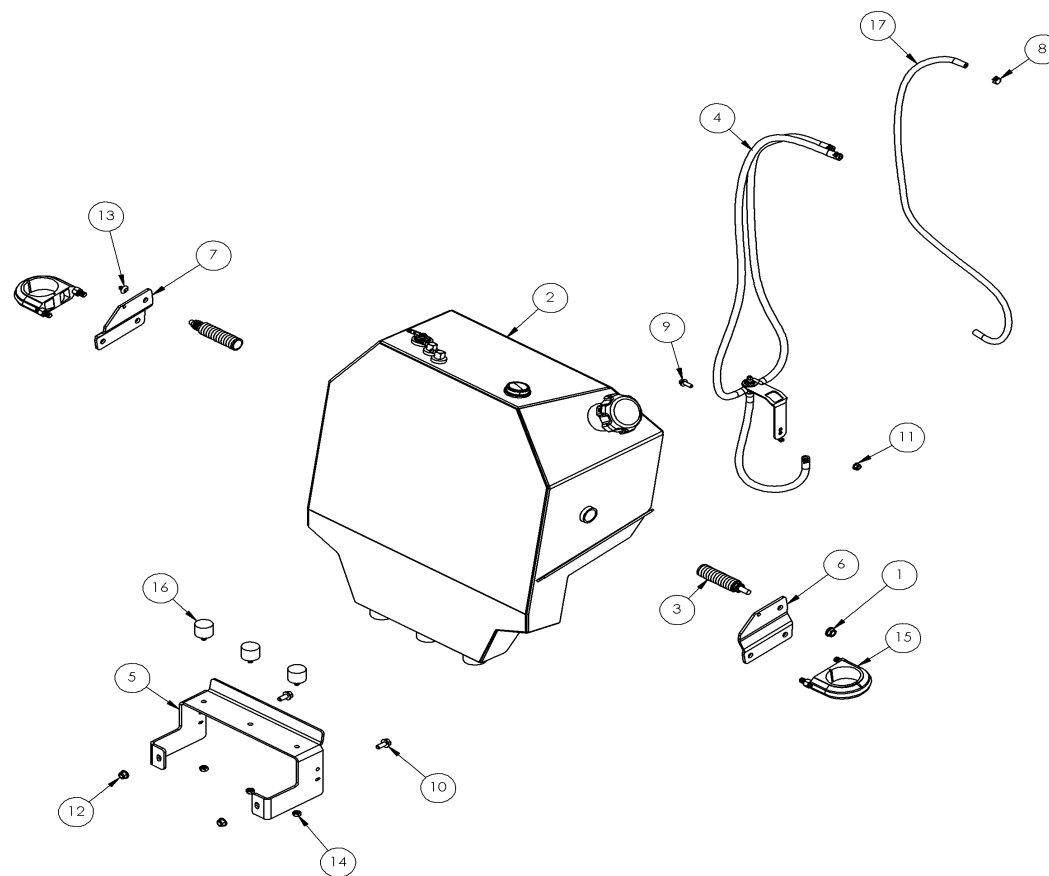
PART NO.

2000936

Ref#	Part#	Description	Qty
1	1200638	WELD,CAM MNT,DECK STOP,XPHD/TRX	1
2	3100620	BUSHING	1
3	3104034	PIVOT SHAFT,DECK STOP,.625"ODX1.14",ZY	1
4	3104035	SPACER,SEAL-BUSH,LIFT,.25",XPHD/TRX/TSX	1
5	3104036	SPACER,SPRING PLUNGER,.25",XPHD/TRX/TSX	1
6	3104335	AXIALLY STEP CAM STOP ARM,.375",TRX61/66	1
7	4000083	BUSHING,FLANGE,O-RING,.63IDX.875ODX.625"	1
8	5000131	BOLT, PKG QTY 10	1
9	5000159	NUT, PKG QTY 20	1
10	5000184	SPRING PLUNGER	1
11	5000434	O-RING,SIZE-016,BUNA-N	2

9991027, SYS,FUEL,TFX K38.5,2026

UNCONTROLLED DOCUMENT IF PRINTED

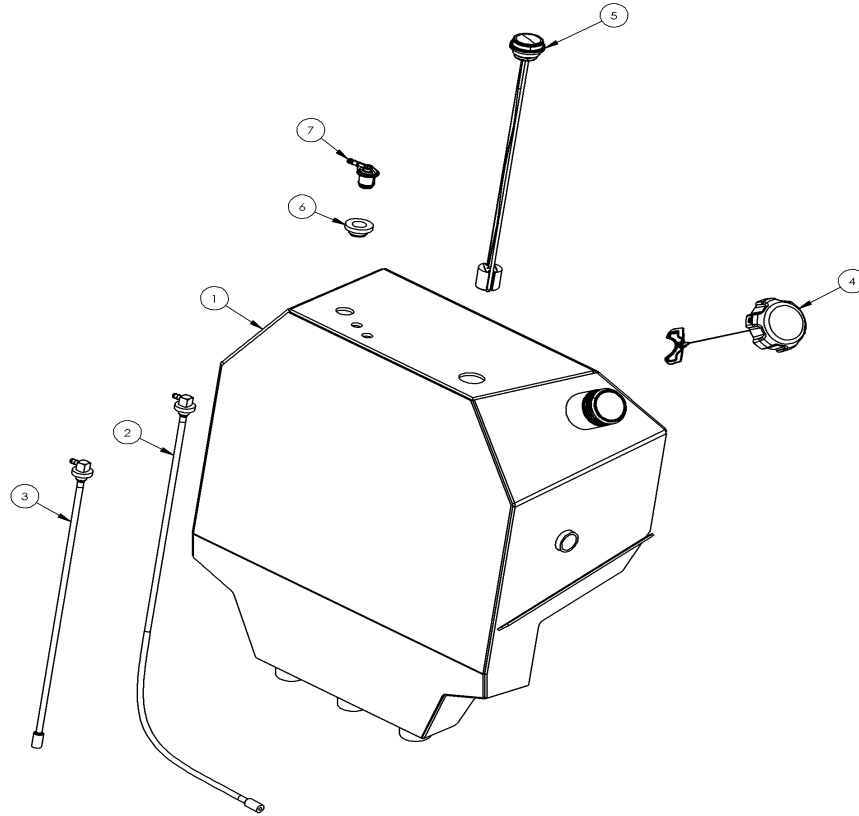


TITLE	System, Fuel, TFX
PART NO.	9991027

Ref#	Part#	Description	Qty
1	7787	NUT, PKG QTY 10	2
2	2001855	ASM,FUEL TANK,TFX	1
3	2001856	ASM,SWELL RETAINER,FUEL TANK,TFX	2
4	2001857	ASM,FUEL LINE,TFX	1
5	3108850	LOWER SUPPORT,FUEL TANK,7GA,TFX	1
6	3108852	UPPER TANK MOUNT, LH,7GA,TFX	1
7	3108853	UPPER TANK MOUNT, RH,7GA,TFX	1
8	5000066	CLAMP	1
9	5000126	BOLT, PKG QTY (10)	1
10	5000127	BOLT, PKG QTY (10)	2
11	5000156	NUT, PKG QTY 20	1
12	5000157	NUT, PKG QTY 10	2
13	5000254	CABLE TIE	1
14	5000274	NUT, PKG QTY (10)	3
15	5001004	U-BOLT,.375-16X2.375IDX3.688X3.375,ZC	2
16	5500007	BUMPER	3
17	5700176	HOSE,VAPOR,CTL,3/16"IDX30",TFX	1

2001855, ASM, FUEL TANK, TFX

UNCONTROLLED DOCUMENT IF PRINTED

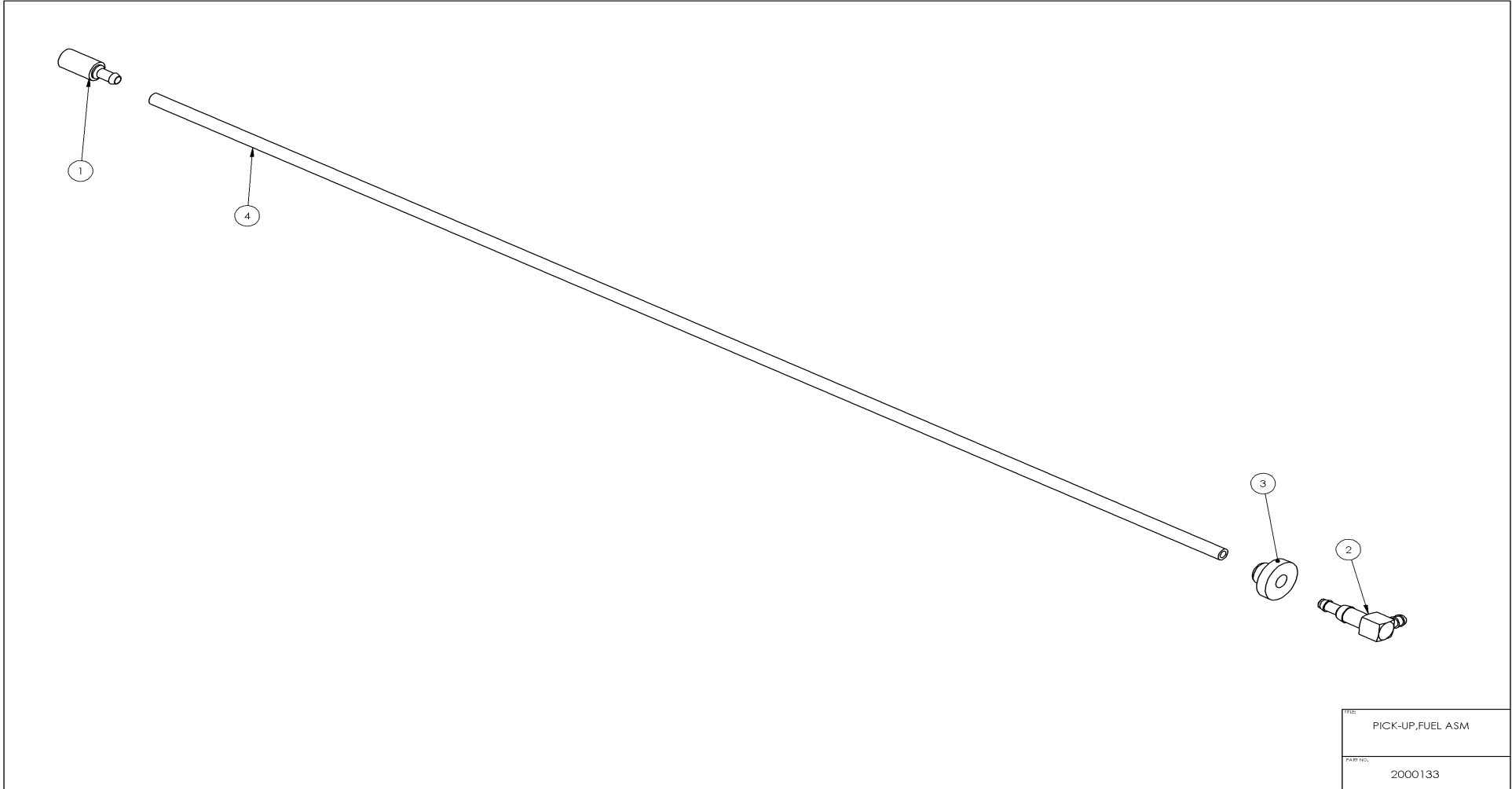


TITLE	Asm, Fuel Tank, TFX
PART NO.	2001855

Ref#	Part#	Description	Qty
1	1201520	WELD,FUEL TANK,ALUM,TFX	1
2	2000133	PICK-UP ASM,FUELTANK,31",XC/XP/TR/TF/SWT	1
3	2001858	ASM,FUEL PICKUP,TFX	1
4	2900513	CAP,GAS,2.25",RATCHET,INLET VENT,W/PRINT	1
5	2900763	GAUGE,GAS,17",RS	1
6	5000081	GROMMET	1
7	6500023	VENT,REMOTE,KELCH	1

2000133, PICK-UP ASM,FUELTANK,31",XC/XP/TR/TF/SWT

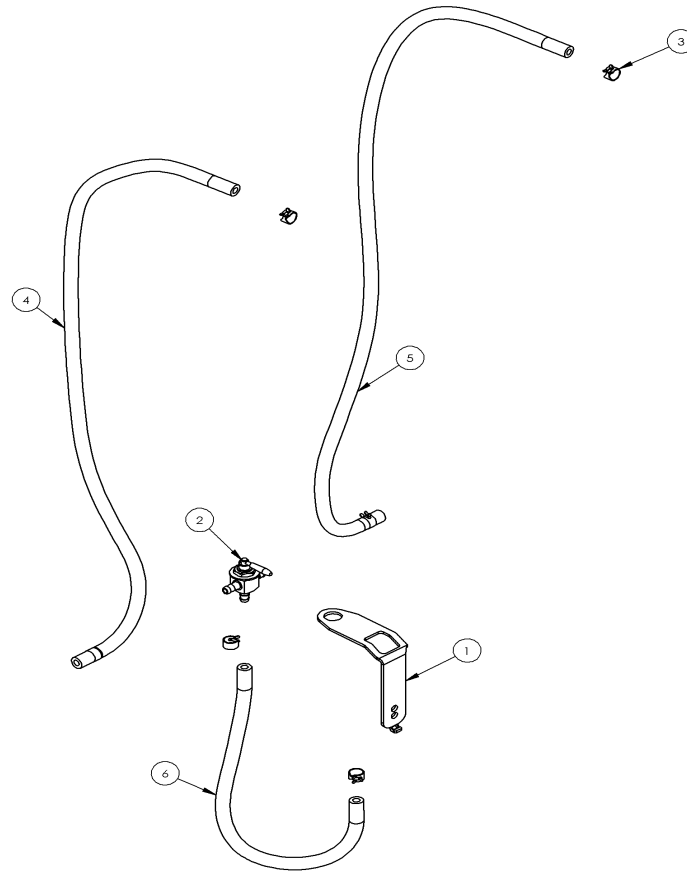
UNCONTROLLED DOCUMENT IF PRINTED



Ref#	Part#	Description	Qty
1	5000046	PICK-UP W/ FILTER,FUEL ASM	1
2	5000048	ELBOW,90°,FUEL PICK-UP	1
3	5000049	GROMMET	1
4	5700002	HOSE,FUEL PICKUP,3/16"IDX31",XC/XPHD/TRX	1

2001857, ASM,FUEL LINE,TFX

UNCONTROLLED DOCUMENT IF PRINTED

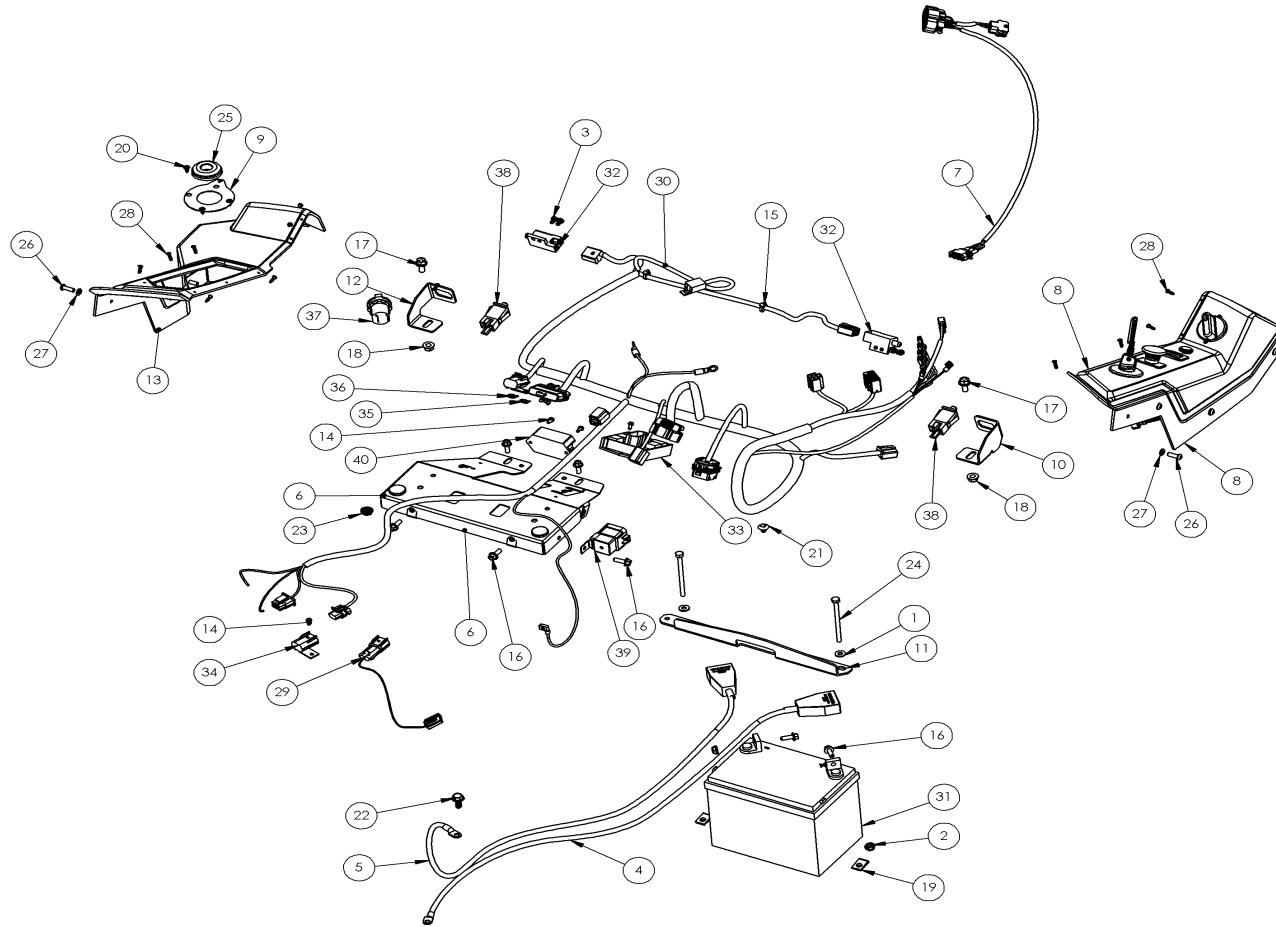


TITLE	Asm, Fuel Line, TFX
PART NO.	2001857

Ref#	Part#	Description	Qty
1	3103901	BRKT,FUEL SHUTOFF,12GA,XPi/TRXi/TFXi	1
2	5000060	VALVE	1
3	5000066	CLAMP	6
4	5700177	HOSE,FUEL CTL,1/4""IDX37",TFX	1
5	5700177	HOSE,FUEL CTL,1/4""IDX37",TFX	1
6	5700178	HOSE,FUEL CTL,1/4""IDX13",TFX	1

9991029, SYS,ELECTRICAL,TFX766 K38.5,2026

UNCONTROLLED DOCUMENT IF PRINTED



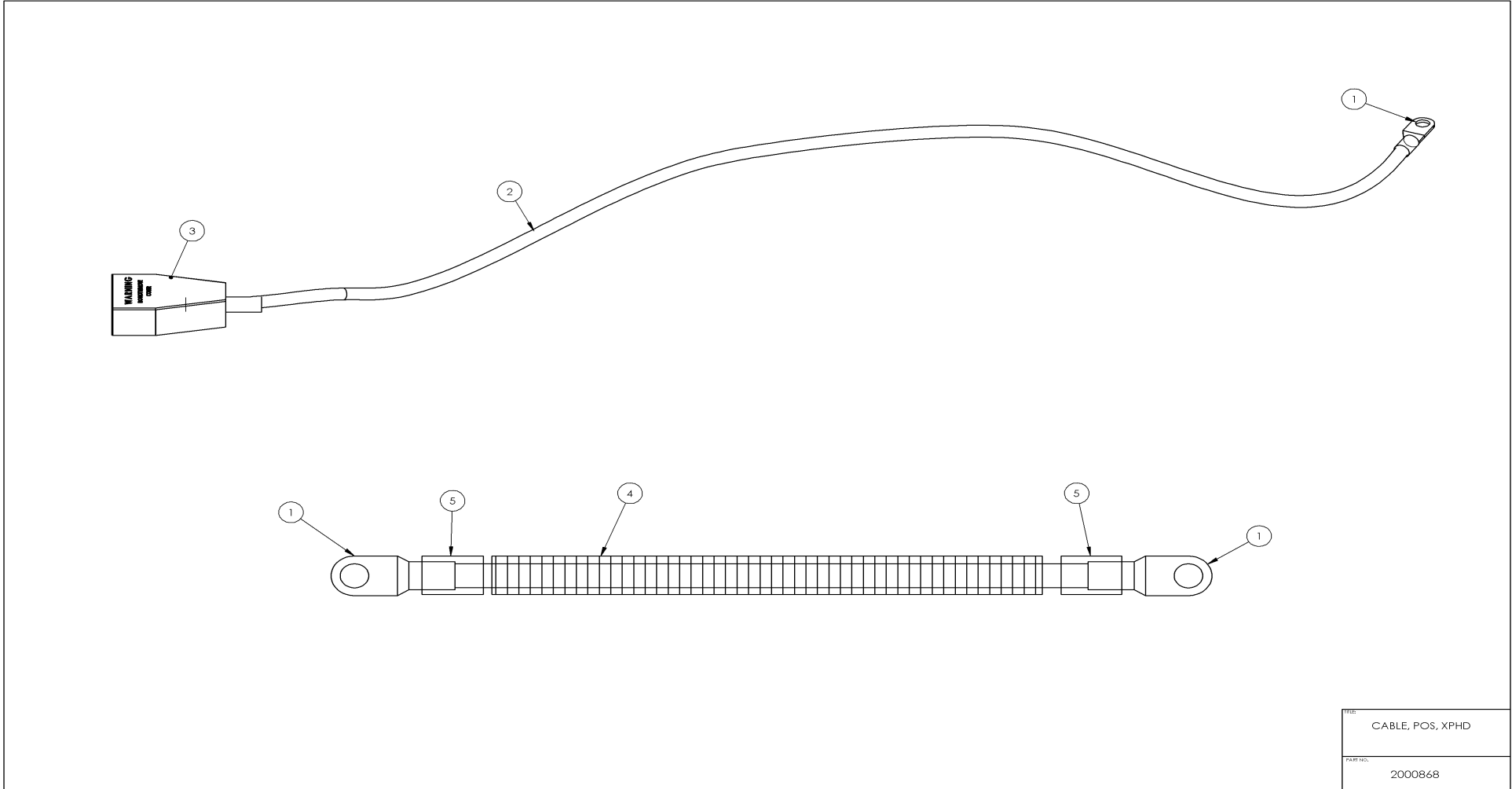
TITLE	SYS,ELECTRICAL,TFX K38.5,2026
PART NO.	9991029

Ref#	Part#	Description	Qty
1	5647	WASHER	2
2	5648	NUT, PKG QTY (10)	2
3	9274	SCREW, PKG QTY 25	4
4	2000868	BATTERY CABLE, POSITIVE, 32", XPHD/TRX	1
5	2000869	BATTERY CABLE, NEGATIVE, 36", XPHD/TRX/XEHD	1
6	2001206	ASM, ELECT CNTRL PAN, TRX766, 2020	1
7	8000135	HARNESS, ADAPTER, KAWI EFI, TSXI/XPHDI/TRXI	1
8	2001859	ASM, CONSOLE, RH, KEY/PTO, TFX	1
9	3102356-011	INDICATOR, DECK HEIGHT, BLK	1
10	3103727-500	BRKT, BRAKE SWITCH, ARG, XPHD/TRX	1
11	3104030-500	BRKT, BATTERY HOLD DOWN, ARG, TRX610/660	1
12	3107742	BRKT, TWO SPEED SWITCH, 12GA, TRX766	1
13	4000211	CONSOLE, LH, TFX	1
14	5000019	SCREW	5
15	5000062	CABLE TIE	2
16	5000126	BOLT, PKG QTY (10)	7
17	5000127	BOLT, PKG QTY (10)	2
18	5000157	NUT, PKG QTY 10	2
19	5000180	NUT, CLIP, PKG QTY (10)	3
20	5000207	SCREW	3
21	5000254	CABLE TIE	14
22	5000256	BOLT	1
23	5000296	NUT	1
24	5000408	SCREW	2
25	5000435	GROMMET	1
26	5001007	SCREW, 1/4-20X3/4, BHCS, SS, BO	8
27	5001008	WASHER, FLAT, NYLON, #12, 3472OD X.252ID, BLK	8

28	5001016	SCREW,#6-32X1/2",TORX,TCS,T-F,ZB	3
29	8000069	HARNESS,PIGTAIL,CLUTCH,W/SLEEVE	1
30	8000158	HARNESS,MAIN,TRX/XPHD,03/24 (PUR)	1
31	8200040	BATTERY	1
32	8200053	SWITCH	2
33	8200057	CONTROL	1
34	8200058	CONNECTOR	1
35	8200059	FUSE	1
36	8200060	FUSE	1
37	8200062	SOCKET	1
38	8200196	SWITCH,PLUNGER,DPST,NO/NO,SNAP,XE	2
39	8200459	RELAY,MINI,SPDT,20A/40A,12VDC,SKIRTED	0
40	8200538	MODULE,SOFTSTART,W/RPM,WARNER	1

2000868, BATTERY CABLE, POSITIVE, 32", XPHD/TRX

UNCONTROLLED DOCUMENT IF PRINTED

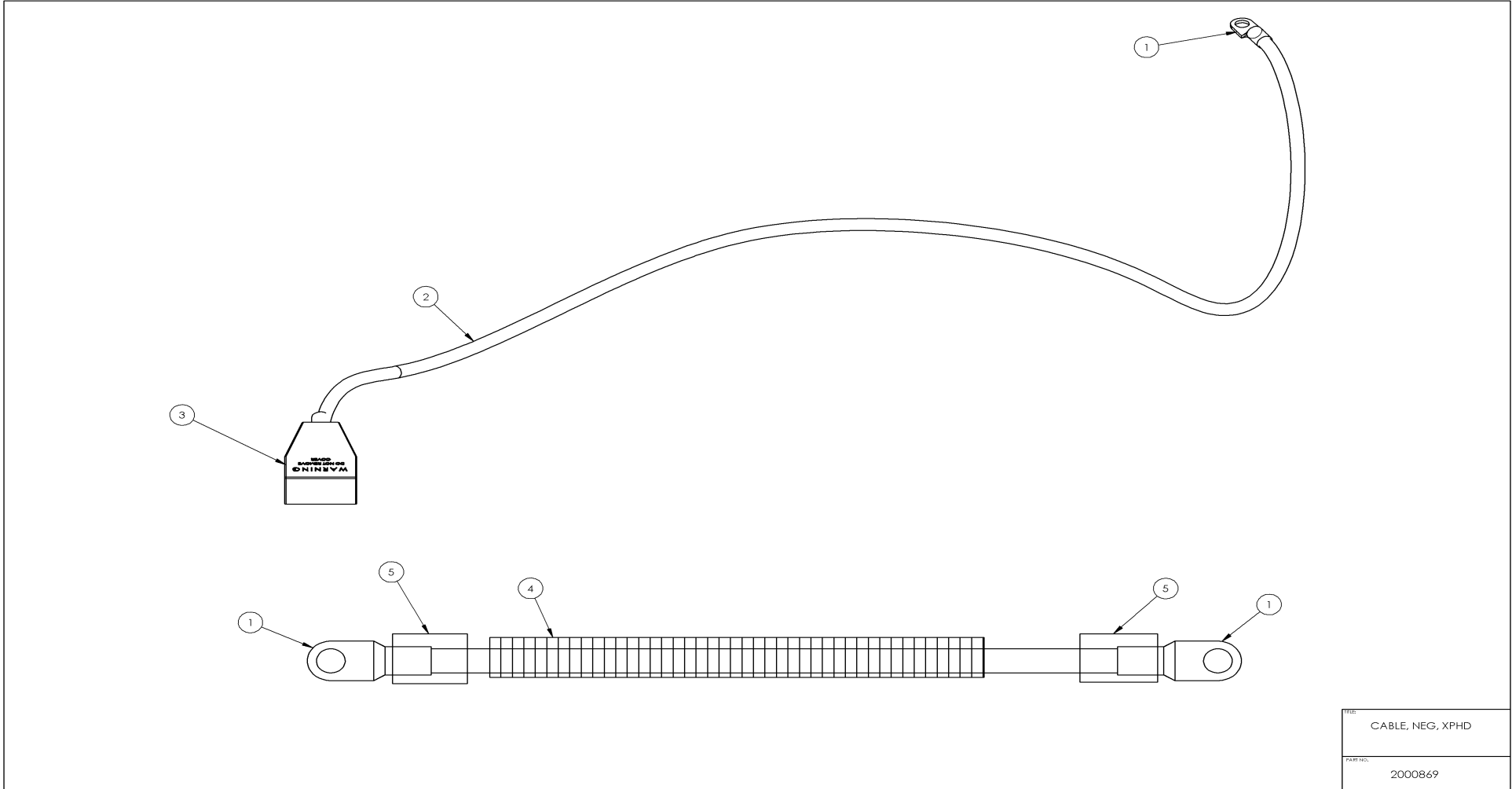


TITLE	CABLE, POS, XPHD
PART NO.	2000868

Ref#	Part#	Description	Qty
1	8200086	TERMINAL	2
2	8200096	HEATSHRINK	2
3	8200103	LOOM,CORR,SPLIT NYLON,GRY STRIPE,.350"ID	1
4	8200185	BATTERY BOOT,RED,6-4 AWG	1

2000869, BATTERY CABLE,NEGATIVE,36",XPHD/TRX/XEHD

UNCONTROLLED DOCUMENT IF PRINTED

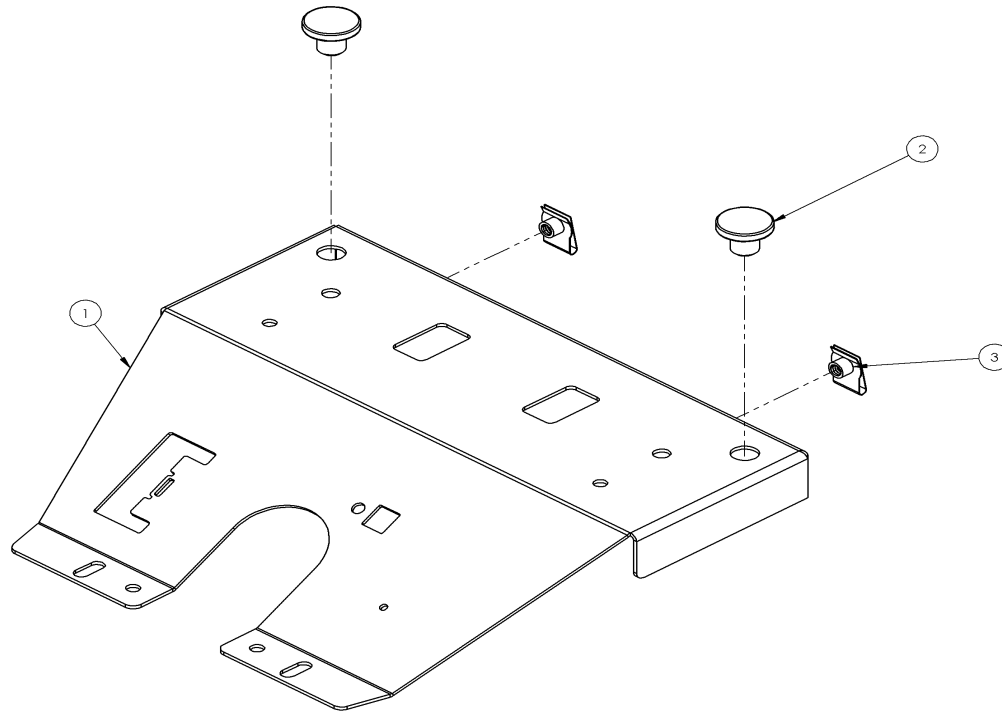


REF.	CABLE, NEG, XPHD
PART NO.	2000869

Ref#	Part#	Description	Qty
1	8200086	TERMINAL	2
2	8200096	HEATSHRINK	2
3	8200103	LOOM,CORR,SPLIT NYLON,GRY STRIPE,.350"ID	1
4	8200184	BATTERY BOOT,BLACK,6-4 AWG	1

2001206, ASM,ELECT CNTRL PAN,TRX766,2020

UNCONTROLLED DOCUMENT IF PRINTED

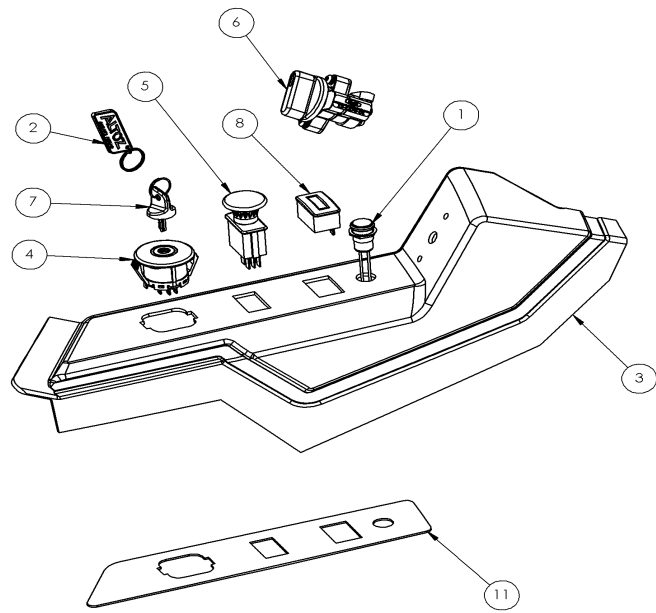


TITLE	Asm. Elect. Control Pan. TRX 766, 10/19
PART NO.	2001206

Ref#	Part#	Description	Qty
1	3105448	FRAME,SEAT ELECT.PAN,14GA,TRX766	1
2	4000050	STOP	2
3	5000180	NUT, CLIP, PKG QTY (10)	2

2001859, ASM,CONSOLE,RH,KEY/PTO,TFX

UNCONTROLLED DOCUMENT IF PRINTED

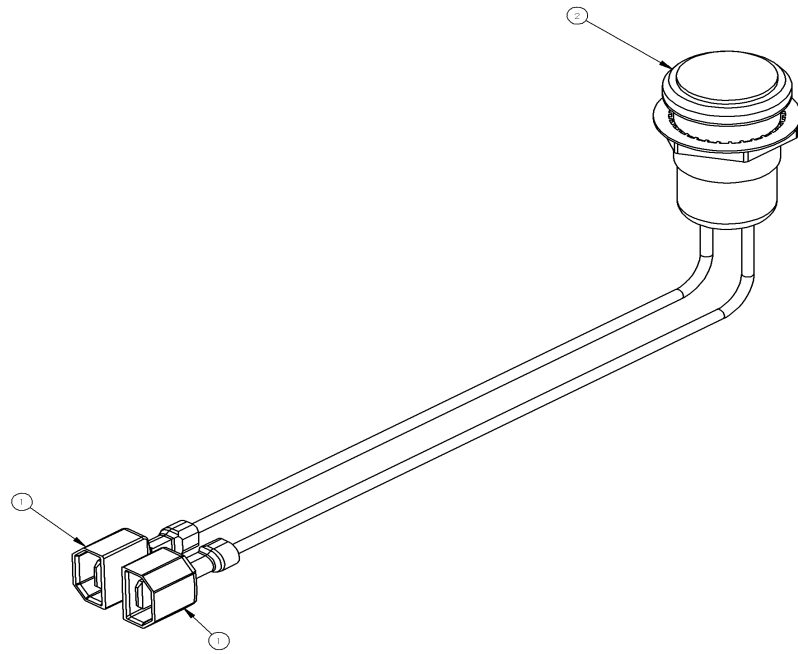


TITLE	ASM,CONSOLE,RH, KEY/PTO,TFX766i K38.S,AT,2026
PART NO.	2001859

Ref#	Part#	Description	Qty
1	2000925	ASM,LED LIGHT,RED,12VDC,W/NUT,XP/TRX	1
2	2900743	KEY FOB,ALTOZ,MLD RBR,BLK/GREEN	1
3	4000212	CONSOLE,RH,TFX	1
4	8200052	SWITCH	1
5	8200056	SWITCH	1
6	8200341	THROTTLE,ELEC,DIAL ACTUATED,0-5VDC	1
7	8200488	KEY,IGNITION,PLASTIC PLATED,UMB	1
8	8200511	HOUR METER/TACHOMETER,MINI,LCD,GDI	1
9	4500125	LINT FREE WIPE	1
10	7001258	DECAL,THROTTLE SPEED,TFX	1
11	3108868	STIFFENER PLATE,RH CONSOLE,16GA,TFX	1

2000925, ASM,LED LIGHT,RED,12VDC,W/NUT,XP/TRX

UNCONTROLLED DOCUMENT IF PRINTED

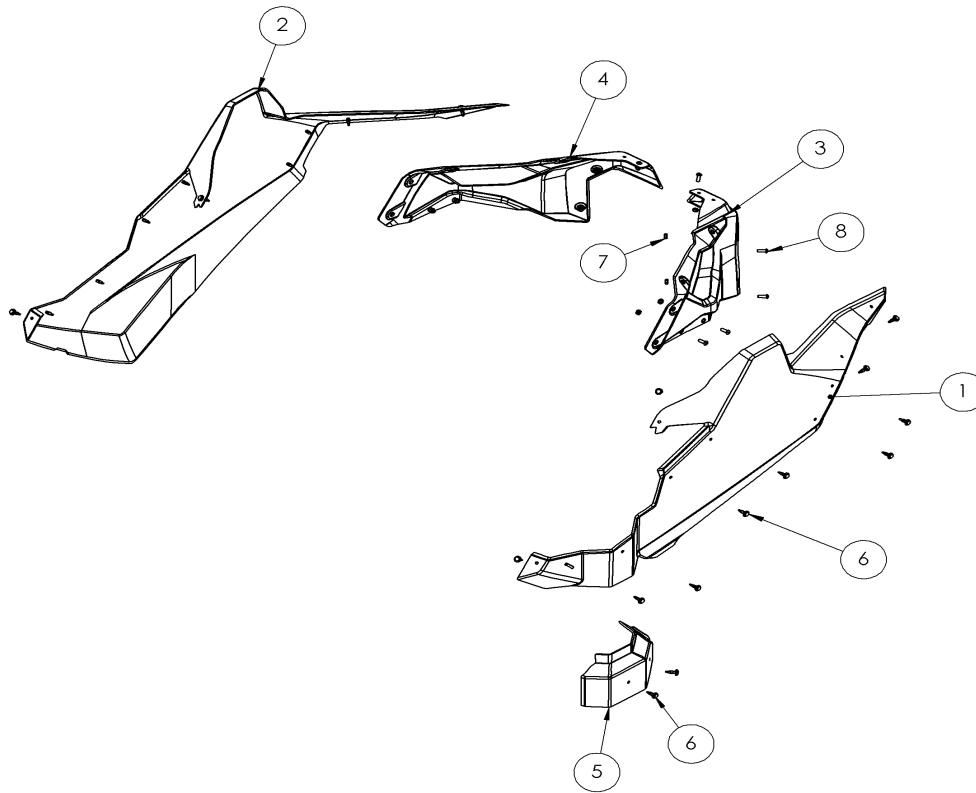


TITLE	ASM, LED, 12VDC, RED, 5/8" D, W/NUT
PART NO.	2000925

Ref#	Part#	Description	Qty
1	8200281	CONNECTOR	2
2	8200286	LIGHT,LED,RED,12VDC,11/16"D,W/NUT,6"LEAD	1

9991032, SYS,PLASTICS,TFX K38.5,2026

UNCONTROLLED DOCUMENT IF PRINTED

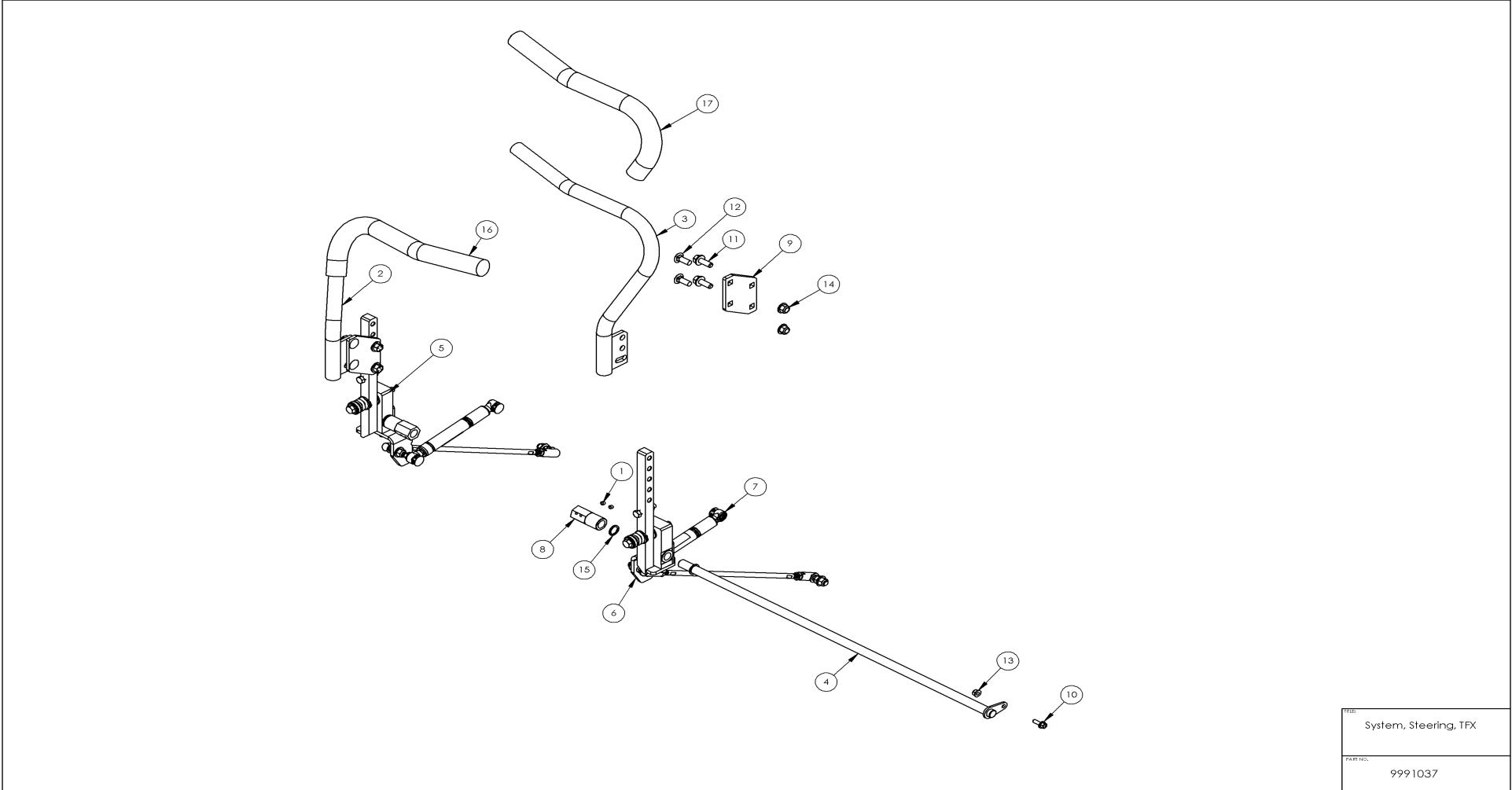


TITLE:	SYS, PLASTICS, TFX766
PART NO.:	9991032

Ref#	Part#	Description	Qty
1	4000209	PANEL,LH SIDE,TFX	1
2	4000210	PANEL,RH SIDE,TFX	1
3	4000213	GUARD,ENGINE,LH,TFX	1
4	4000214	GUARD,ENGINE,RH,TFX	1
5	4000217	COVER,DECK HEIGHT,TFX	1
6	5000115	RIVET	22
7	5000221	NUT, PKG QTY (10)	10
8	5001007	SCREW,1/4-20X3/4,BHCS,SS,BO	10

9991037, STEERING,TFX,2026

UNCONTROLLED DOCUMENT IF PRINTED

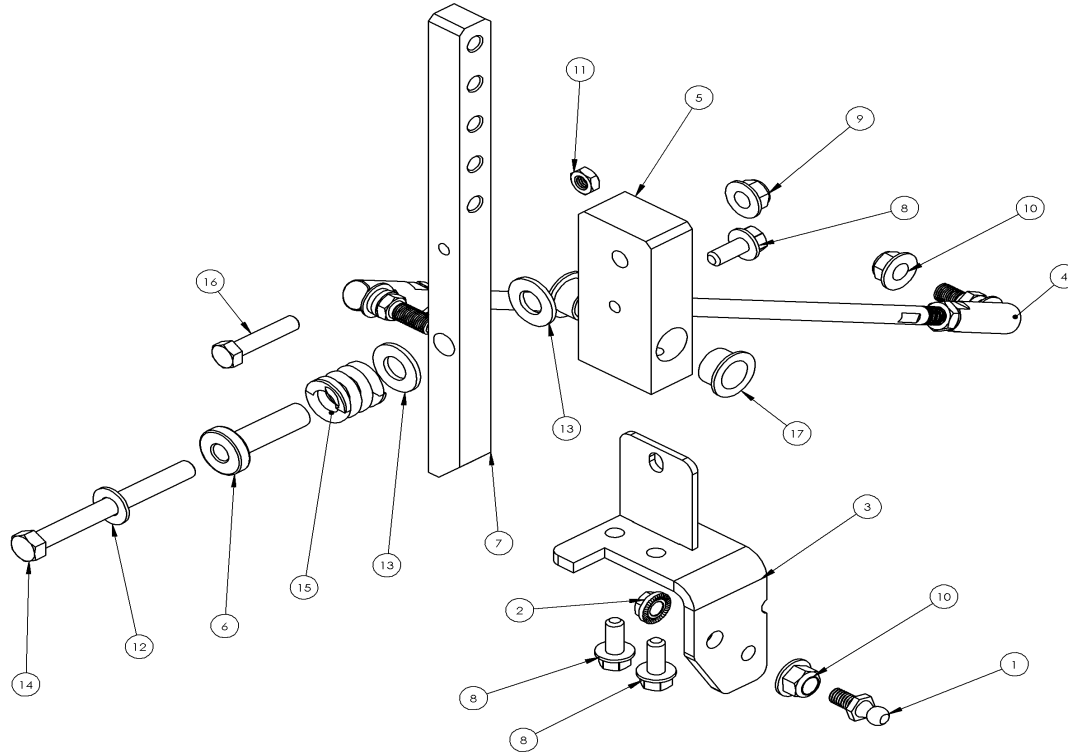


TITLE	System, Steering, TFX
PART NO.	9991037

Ref#	Part#	Description	Qty
1	4356	SCREW, PKG QTY 10	4
2	1200445	WELD,STEERING ARM,RH,XE/XEHD/XPHD/TRX	1
3	1200446	WELD,STEERING ARM,LH,XE/XEHD/XPHD/TRX	1
4	1200642	WELD,STEERING SHAFT,TRX610/660/766	1
5	2000879	ASM,STEERING CONTROL,RH,TRX610/660	1
6	2000880	ASM,STEERING CONTROL,LH,TRX610/660	1
7	2900266	DAMPER ASSEMBLY	2
8	3103744	HEX,STEERING BLOCK STOP,6061 ALUM,PL	2
9	3106139	EXTENSION PLATE,STEERING LEVER,.25"	2
10	5000126	BOLT, PKG QTY (10)	1
11	5000130	BOLT,3/8"-16X1", PKG QTY (10)	4
12	5000146	BOLT, PKG QTY 10	4
13	5000156	NUT, PKG QTY 20	1
14	5000159	NUT, PKG QTY 20	4
15	5000478	WASHER	4
16	5500004	STEERING GRIP	1
17	5500004	STEERING GRIP	1

2000879, ASM,STEERING CONTROL,RH,TRX610/660

UNCONTROLLED DOCUMENT IF PRINTED

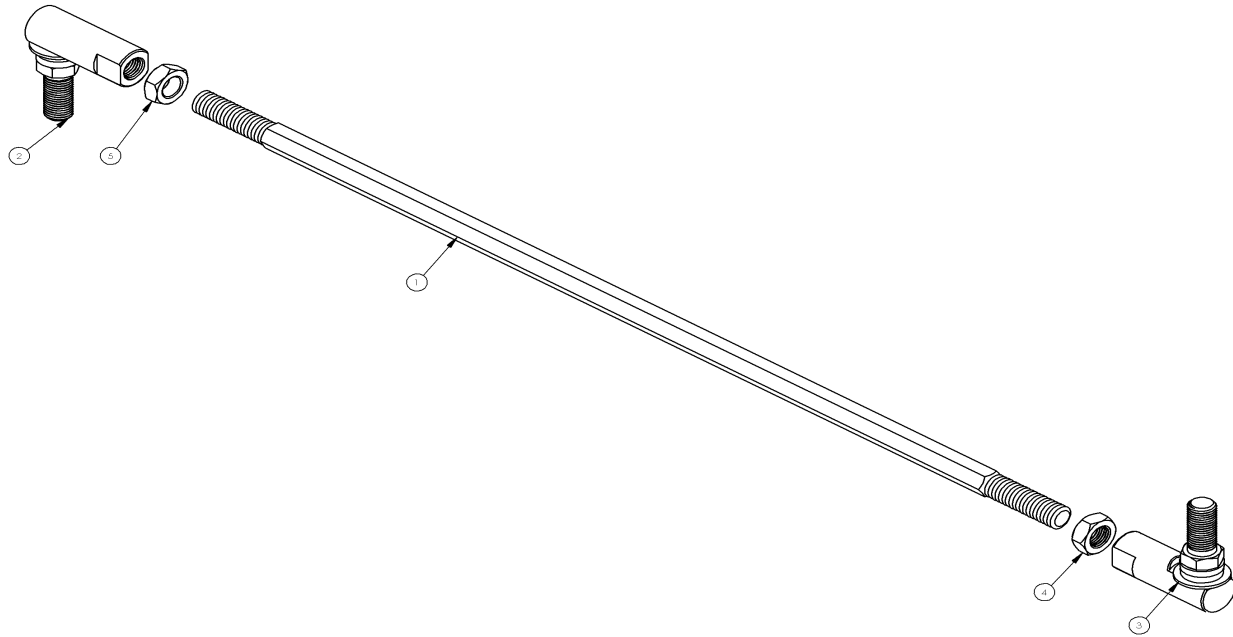


TITLE	Asm, Steering Control, RH, TRX
PART NO.	2000879

Ref#	Part#	Description	Qty
1	4264	BALL JOINT	1
2	5424	NUT, PKG QTY (10)	1
3	1200636	WELD,STEERING CONTROL,RH,TRX610/660/766	1
4	2000881	ASM,STEERING CONTROL ROD,XPHD/TRX	1
5	3102676	BLOCK,STEERING,XE/XR/XPHD/TRX	1
6	3102915	PIVOT,BUSHING,STEERING BLOCK,TRX	1
7	3102916	MNT,STEERING CONTROL,.75"SQX11.375",ZY	1
8	5000127	BOLT, PKG QTY (10)	3
9	5000159	NUT, PKG QTY 20	1
10	5000160	NUT, PKG QTY (10)	2
11	5000165	NUT	1
12	5000174	WASHER, PKG QTY (10)	1
13	5000176	WASHER, PKG QTY (10)	2
14	5000300	SCREW	1
15	5000576	SPRING,DIE,1"ODX0.50"IDX1"L,BLU,CHR-SIL	1
16	5000644	SCREW,5/16"-18X1-1/2",HHCS,FT,ZY	1
17	5000691	BUSHING,STEERING,PLASTIC,3/4"ODX1/2"	2

2000881, ASM,STEERING CONTROL ROD,XPHD/TRX

UNCONTROLLED DOCUMENT IF PRINTED



TITLE	Asm. Steering Control Rod, TRX
PART NO.	2000881

Ref#	Part#	Description	Qty
1	3103721	CONTROL ROD,STEER,HEX,3/8"-24,14.875",ZY	1
2	5000067	BALL JOINT	1
3	5000069	BALL JOINT	1
4	5000168	NUT, PKG QTY (10)	1
5	5000242	NUT	1

2000880, ASM,STEERING CONTROL,LH,TRX610/660

UNCONTROLLED DOCUMENT IF PRINTED

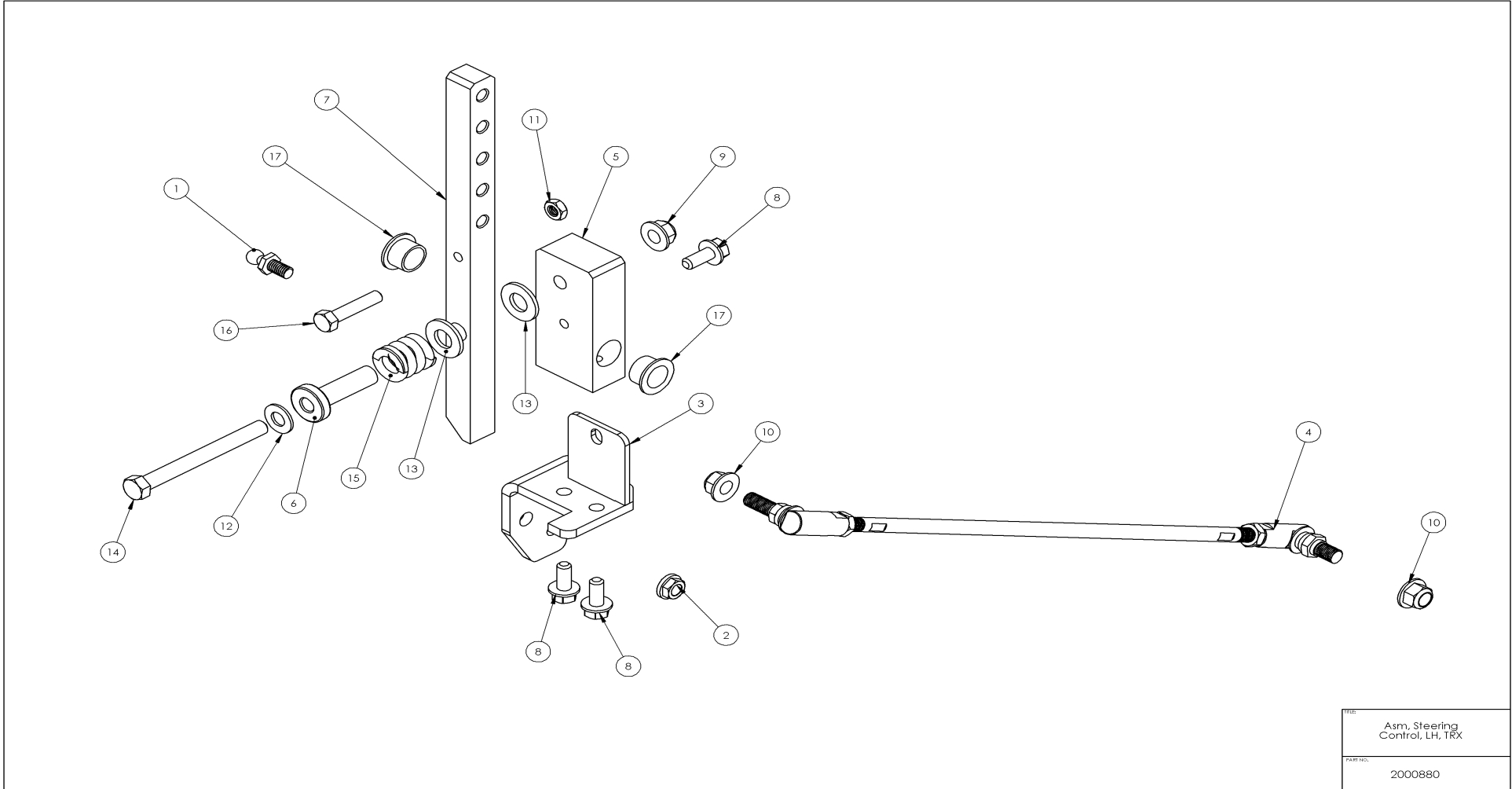
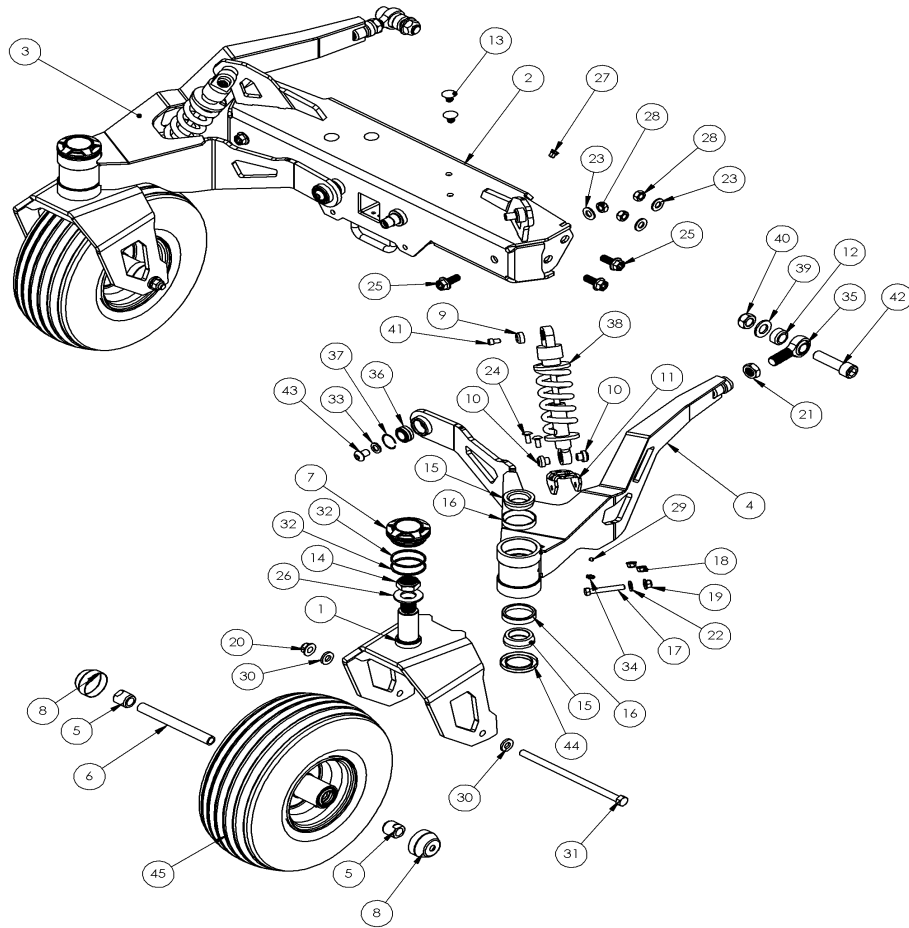


FIG.	Asm. Steering Control, LH, TRX
PART NO.	2000880

Ref#	Part#	Description	Qty
1	4264	BALL JOINT	1
2	5424	NUT, PKG QTY (10)	1
3	1200635	WELD,STEERING CONTROL,LH,TRX610/660/766	1
4	2000881	ASM,STEERING CONTROL ROD,XPHD/TRX	1
5	3102676	BLOCK,STEERING,XE/XR/XPHD/TRX	1
6	3102915	PIVOT,BUSHING,STEERING BLOCK,TRX	1
7	3102916	MNT,STEERING CONTROL,.75"SQX11.375",ZY	1
8	5000127	BOLT, PKG QTY (10)	3
9	5000159	NUT, PKG QTY 20	1
10	5000160	NUT, PKG QTY (10)	2
11	5000165	NUT	1
12	5000174	WASHER, PKG QTY (10)	1
13	5000176	WASHER, PKG QTY (10)	2
14	5000300	SCREW	1
15	5000576	SPRING,DIE,1"ODX0.50"IDX1"L,BLU,CHR-SIL	1
16	5000644	SCREW,5/16"-18X1-1/2",HHCS,FT,ZY	1
17	5000691	BUSHING,STEERING,PLASTIC,3/4"ODX1/2"	2

9991044, SYS,FRONT AXLE,TFX766,2026

UNCONTROLLED DOCUMENT IF PRINTED



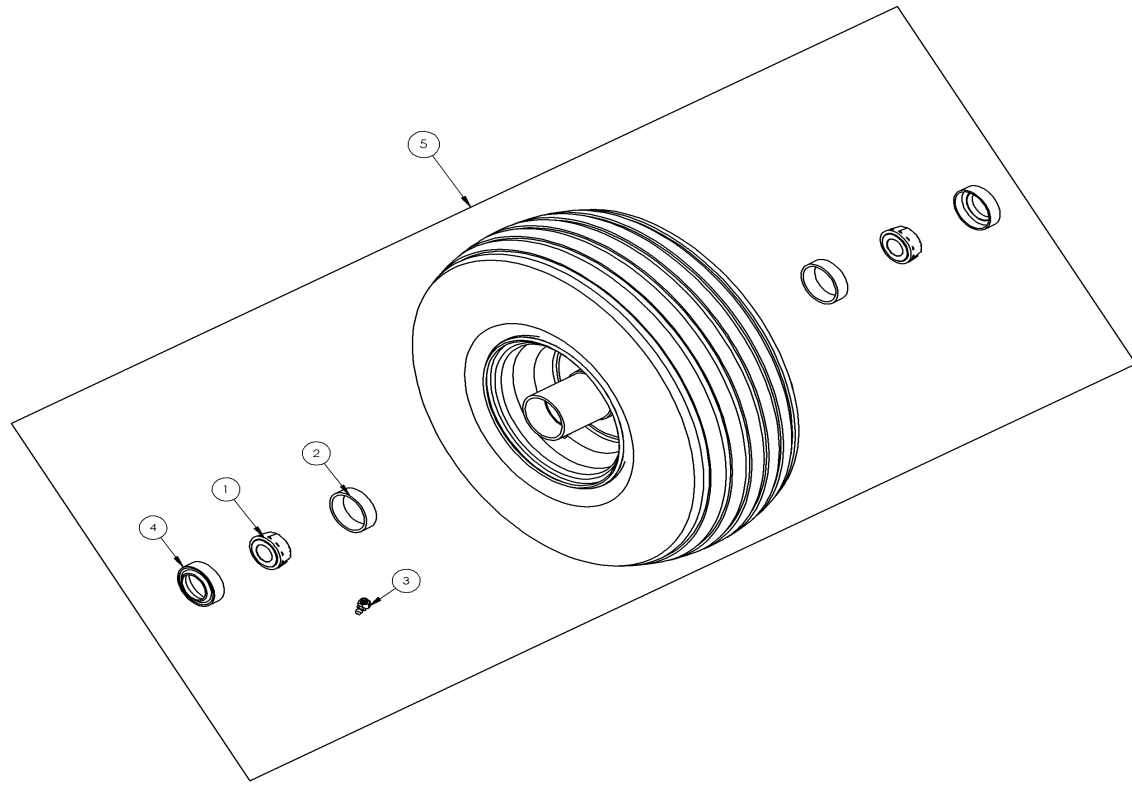
FILE	System_Front Axle, TFX766
PART NO.	9991044

Ref#	Part#	Description	Qty
1	1201485	WELD,FRONT FORK,TFX766	2
2	1201530	WELD,CENTER SECTION,AXLE,TFX/XCSSI,1/26	1
3	1201534	WELD,AXLE,TRAILING ARM,RH,TFX766,1/26	1
4	1201535	WELD,AXLE,TRAILING ARM,LH,TFX766,1/26	1
5	3100538	SPACER	4
6	3100539	SLEEVE	2
7	3101236	CAP,FRONT SPINDLE,FORGED,3"ODX1.25"	2
8	3107240	GUARD,FRONT WHEEL BEARING,ZY	4
9	3108763	SPACER,UPPER SHOCK,MOUNT,ZY,SS	2
10	3108764	SPACER,LOWER SHOCK,MOUNT,ZY,SS	4
11	3108772	CLIP,LOWER SHOCK MNT,SS AXLE,7GA	2
12	3108773	AXLE SHIM,ROD END,ZY,SS	2
13	4000193	PLUG,TREE CLIP,7/16" HOLE,RND HEAD	4
14	5000057	NUT, THIN, PKG QTY (5)	2
15	5000108	BEARING	4
16	5000109	CUP	4
17	5000136	SCREW, PKG QTY (10)	2
18	5000157	NUT, PKG QTY 10	4
19	5000159	NUT, PKG QTY 20	2
20	5000162	NUT, PKG QTY 10	2
21	5000172	NUT	2
22	5000174	WASHER, PKG QTY (10)	2
23	5000176	WASHER, PKG QTY (10)	6
24	5000196	BOLT	4
25	5000243	BOLT,1/2"-13X1-1/4",PKG QTY 5	6
26	5000309	WASHER	2
27	5000417	NUT, RIVET, PKG QTY (5)	2

28	5000584	NUT, PKG QTY 10	6
29	5000587	SCREW, PKG QTY 10	2
30	5000614	WASHER,1/2",.531IDX1.062ODX.156,HARD,ZY	4
31	5000615	SCREW,1/2"-13X9-1/2",HHCS,GR5,ZY	2
32	5000665	O-RING,SIZE-226,BUNA-N,60 DURO	4
33	5000743	WASHER,1/2",.515IDX.875ODX.095,HARD,ZY	2
34	5000787	GREASE FITTING,STRAIGHT,1/4-28	2
35	5000990	ROD END,MALE,SPHER,3/4"-16 RH,3/4"ID,ZY	2
36	5000993	SWIVEL BALL SOCKET,1.25"ODX.75ID	2
37	5000994	SNAP RING,INTERNAL,SPIRAL,1.25"	2
38	5000997	SHOCK ABSORBER,800LB,10.25"	2
39	5000998	WASHER,3/4",.812IDX1.469ODX.134,HARD,ZY	2
40	5000999	NUT,3/4"-10,TOP LOCK,GR C,ZY/WAX	2
41	5001000	SCREW,5/16"-18X1/2",SHCS,ZY	2
42	5001001	SCREW,3/4"-10X2 3/4",SHCS,ZY	2
43	5001002	SCREW,1/2"-13X3/4",BHCS,ZY	2
44	6000039	SEAL,DBL LIP,W/SPRING,2.56OD,1.75IDX.313	2
45	6100054	WHEEL,FRONT,15/6X6,RIBBED,TPRD BRG,BC	2

6100054, WHEEL, FRONT, 15/6X6, RIBBED, TPRD BRG, BC

UNCONTROLLED DOCUMENT IF PRINTED

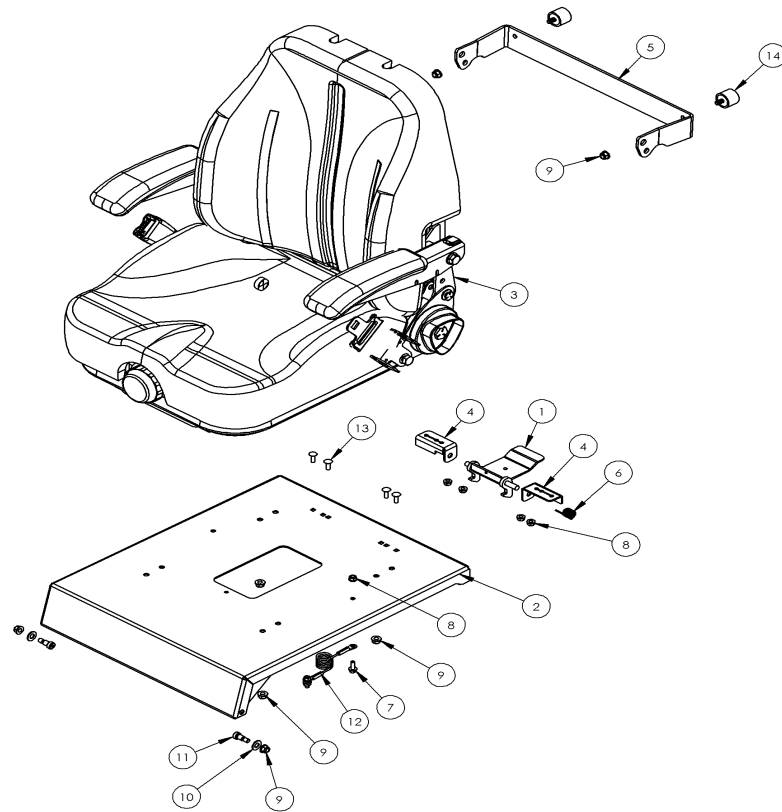


TITLE	WHEEL, FRT, 15/6X6, RIBBED, TPR BEARINGS
PART NO.	6100054

Ref#	Part#	Description	Qty
1	5000340	BEARING CONE,FRONT WHEEL,LM11949	2
2	5000341	BEARING CUP,FRONT WHEEL,LM11910	2
3	5000572	GREASE FITTING,45 DEG,1/4-28,ZC	1
4	6000023	RUBBER SEAL,FRONT WHEEL,1.125" SHAFT	2
5	6100054	WHEEL,FRONT,15/6X6,RIBBED,TPRD BRG,BC	1

9991045, SEAT,SYSTEM,TFX,2026

UNCONTROLLED DOCUMENT IF PRINTED

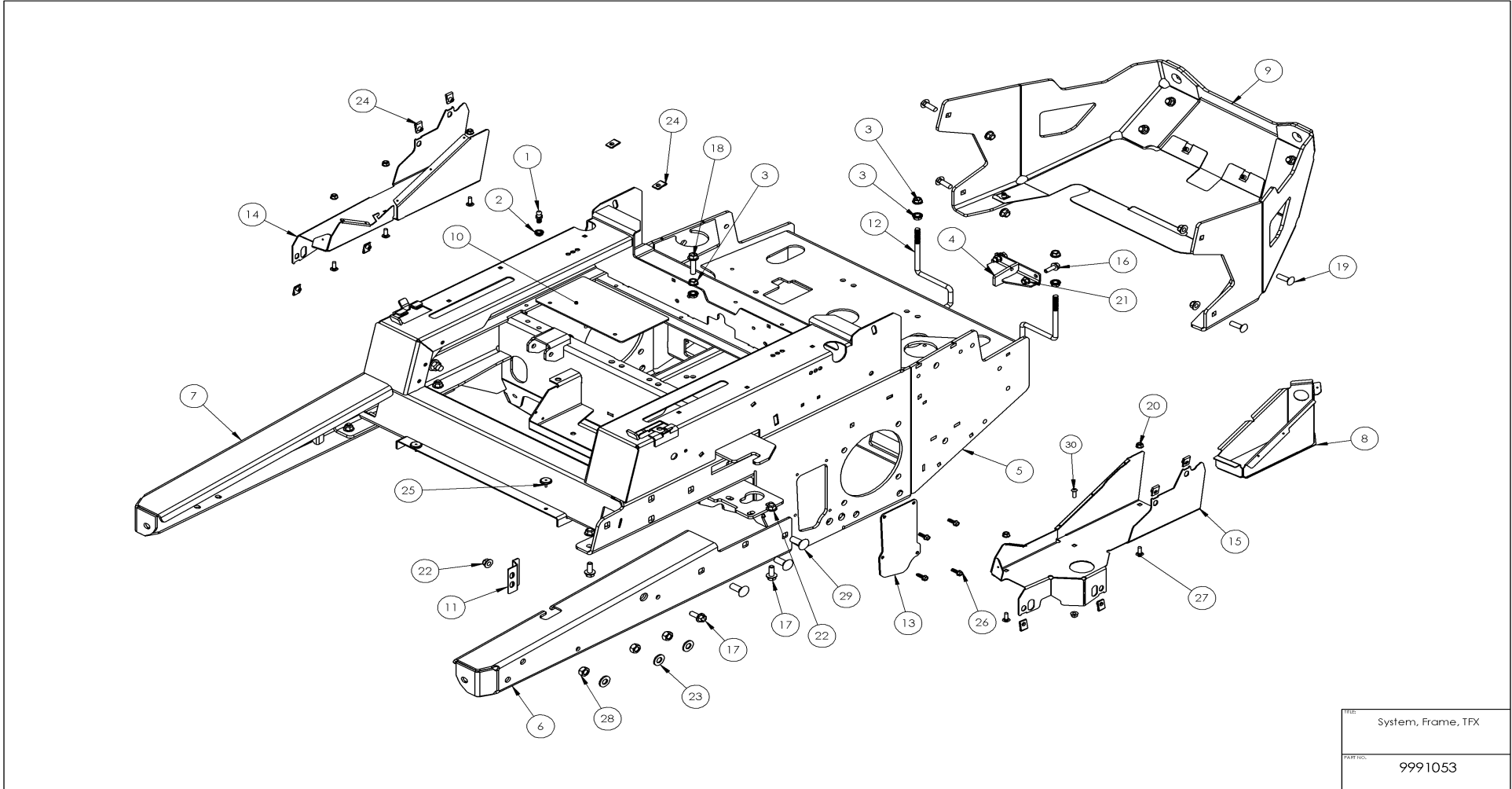


TITLE	System, Sect, TFX
PART NO.	9991045

Ref#	Part#	Description	Qty
1	1200104	WELD,SEAT PAN LATCH,XC/XPHD/TRX	1
2	1200644	WELD,SEAT PAN,TRX610/660/766,TFX	1
3	2900759	SEAT,SUSPENSION,XPHD/XC/TRX561/TRX766	1
4	3100976	HINGE BRKT,SEAT PN LTCH,12GA,XC/XPHD/TRX	2
5	3108913	BRKT,SEAT BUMPER,7GA,TFX	1
6	5000073	SPRING	1
7	5000126	BOLT, PKG QTY (10)	2
8	5000156	NUT, PKG QTY 20	6
9	5000157	NUT, PKG QTY 10	8
10	5000174	WASHER, PKG QTY (10)	2
11	5000444	BOLT	2
12	5000454	LANYARD,3/32"DIA,24"LENGTH,COILED	1
13	5000492	BOLT	4
14	5500007	BUMPER	2

9991053, FRAME,TFX766,2026

UNCONTROLLED DOCUMENT IF PRINTED

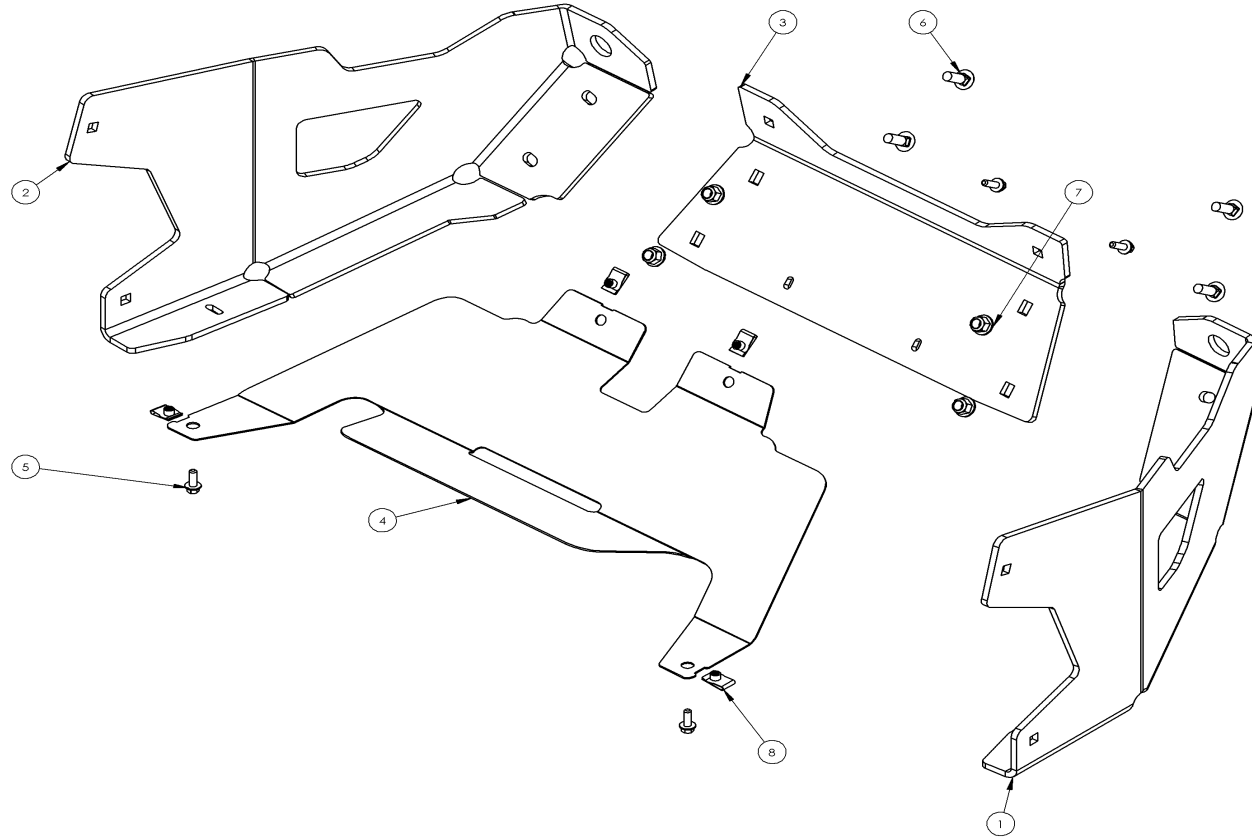


Ref#	Part#	Description	Qty
1	4264	BALL JOINT	2
2	5424	NUT, PKG QTY (10)	2
3	7787	NUT, PKG QTY 10	6
4	1200717	WELD,ANTI-ROT CLUTCH BRKT,XP/TRX	1
5	1201500	WELD,CHASSIS,TFX/TRX 766_XCSS	1
6	1201543	WELD,LH FRAME RAIL,TFX766,1/26	1
7	1201544	WELD,RH FRAME RAIL,TFX766,1/26	1
8	1201545	WELD,CONSOLE POCKET,TFX	1
9	2001854	ASM,REAR BUMPER,TFX	1
10	3104088	PLATE,BATTERY GUARD,10GA,TRX610/660/766	1
11	3104230	TIE BAR LIMITER,14GA,XP/TRX	2
12	3104232	BELT GUIDE,CLUTCH, .375"OD,ZY,TRX	1
13	3108822	TRANS ACCESS COVER,12GA,TFX,XCSS,TRX766	2
14	3108914	MTG BRKT,RH CONSOLE,14GA,TFX	1
15	3108915	MTG BRKT,LH CONSOLE,14GA,TFX	1
16	5000128	BOLT, PKG QTY (10)	2
17	5000130	BOLT,3/8"-16X1", PKG QTY (10)	6
18	5000131	BOLT, PKG QTY 10	1
19	5000147	BOLT	4
20	5000156	NUT, PKG QTY 20	6
21	5000157	NUT, PKG QTY 10	2
22	5000159	NUT, PKG QTY 20	10
23	5000176	WASHER, PKG QTY (10)	6
24	5000180	NUT, CLIP, PKG QTY (10)	10
25	5000253	BUMPER	2
26	5000297	SCREW, PKG QTY 10	8
27	5000492	BOLT	5

28	5000584	NUT, PKG QTY 10	6
29	5000585	BOLT	6
30	5001007	SCREW,1/4-20X3/4,BHCS,SS,BO	1

2001854, ASM, REAR BUMPER, TFX

UNCONTROLLED DOCUMENT IF PRINTED



TITLE	REAR BUMPER, TFX
PART NO.	2001854

Ref#	Part#	Description	Qty
1	3108824	BUMPER,LH,.25",TFX	1
2	3108825	BUMPER,RH,.25",TFX	1
3	3108826	BUMPER,CENTER,.25",TFX	1
4	3108831	DEBRIS SHIELD,16GA,TFX	1
5	5000126	BOLT, PKG QTY (10)	4
6	5000146	BOLT, PKG QTY 10	4
7	5000159	NUT, PKG QTY 20	4
8	5000180	NUT, CLIP, PKG QTY (10)	4