

# TRX 766I K38.5 A

2/16/2026



**DISCLAIMER: Content of this PDF is information in possession of Altoz at the time of creation of this PDF and may not represent future changes. Altoz recommends using the electronic version of the parts catalog for the most current information. Product specifications and appearance are subject to change.**

Table of Contents

1055248, TRX 766I K38.5 A ..... 5

9990466, Steering ..... 7

2000879, ASM,STEERING CONTROL,RH,TRX610/660 ..... 9

2000881, ASM,STEERING CONTROL ROD,XPHD/TRX ..... 11

2000880, ASM,STEERING CONTROL,LH,TRX610/660..... 13

9990468, Drive..... 15

2000647, ASM,DRIVE TENSIONER,5 ..... 17

4000027, FLUID RESERVIOR 5400 ..... 19

9990475, ROPS Assembly ..... 21

2001120, ASM,ROPS PIN,W/SPRING,XE/XEHD/XPHD/TRX ..... 23

9990592, Seat..... 25

9990631, Parking Brake ..... 27

2000926, ASM,BRAKE HANDLE,TRX610/660..... 29

2000820, ASM,BRAKE CAM ARM,XPHD/TRX ..... 31

2000927, ASM,BRAKE HANDLE WELD,TRX610/660..... 33

9990632, Speed Control..... 35

2000222, ASM,TWO SPEED LINKAGE,XCZ/TRX ..... 37

2000883, ASM,TWO SPEED HANDLE,TRX610/660..... 39

2000884, ASM,TWO SPEED CAM ARM,TRX610/660 ..... 41

2000885, ASM,TWO SPEED HANDLE WELD,TRX610/660 ..... 43

9990693, FOOT REST,SYSTEM,TRX766,2020-24 ..... 45

9990814, SYS,ENGINE/EXH,TRX/TFX 766 K38.5,2023-26..... 47

9990816, SYS,FUEL,TRX766 K38.5,2023-24 ..... 49

2000963, ASM,ENGINE COVER,TRX610/660..... 51

2000984, TANK,FUEL,RH ASM,XC/XPHD/TRX,05/17 ..... 53

2000133, PICK-UP ASM,FUELTANK,31..... 55

2000994, TANK,FUEL,RH,W/FILL NECK (#2000984) ..... 57

2000985, TANK,FUEL,LH ASM,XC/XPHD/TRX,05/17 ..... 59

2000993, TANK,FUEL,LH,W/FILL NECK (#2000985)..... 61

2001484, ASM,FUEL/VAPOR HOSE,TRX766I K38.5..... 63

2000928, ASM,HOSE,FUEL,20 ..... 65

2000933, ASM,HOSE,FUEL,42 ..... 67

	3
2001496, ASM,HOSE,FUEL,12 .....	69
9990888, SYS,TRACK,CTR DRV,TRX766 AT 38.5,2025-26.....	71
2001643, ASM,HALF WHEEL,OUTER,DRV SPROCKET,TRX766 .....	73
2001644, ASM,HALF WHEEL,INNER,DRV SPROCKET,TRX766.....	75
2001650, ASM,TORSION AXLE/IDLERS,TRX/TFX 766 .....	77
2001641, ASM,TORSION AXLE/TUBE,CTRG,TRX766,01/24.....	79
2001654, ASM,CAST IDLER WHEEL,OUTER,6 .....	81
2001655, ASM,CAST IDLER WHEEL,OUTER,10 .....	83
9990891, SYS,ELECTRICAL,TRX766 K38.5,2025-26 .....	85
2000868, BATTERY CABLE,POSITIVE,32 .....	88
2000869, BATTERY CABLE,NEGATIVE,36 .....	90
2001005, ASM,CONSOLE,LH,XC/XP/TRX,06/17 .....	92
2001206, ASM,ELECT CNTRL PAN,TRX766,2020 .....	94
2001657, ASM,CONSOLE,RH,EFI,TRX766.....	96
2000925, ASM,LED LIGHT,RED,12VDC,W/NUT,XP/TRX.....	98
9990892, SYS,AT DECK,REVRSBL ROTAT,TRX766,2025-26 .....	100
2001036, ASM,DECK STABLZR ARM,LH,RND,TRX610/660 .....	102
2001037, ASM,DECK STABLZR ARM,RH,RND,TRX610/660.....	104
2001447, ASM,DECK DEBRIS SHIELD,TRX766 AT .....	106
2001667, ASM,AT DECK,REVERSABLE ROTATION,TRX766 .....	108
2001178, ASM,DECK TENSIONER,XCZ/XPHD/TRX .....	111
2001357, ASM,FRONT CHAIN GUARD,LH,TRX766 AT .....	113
2001358, ASM,FRONT CHAIN GUARD,RH,TRX766 AT .....	115
2001443, ASM,REAR GUARD,RBR,LH,TRX561 AT .....	117
2001444, ASM,REAR GUARD,RBR,RH,TRX561 AT .....	119
2001621, ASM,BLADE HUB,DUAL EDGE,TRX/FX/66 .....	121
2900746, SPINDLE ASM,CLAMP STYLE,W/GREASE,AT DECK.....	123
9990893, FRONT AXLE,OFFSET SPINDLE,TRX766,2025-26 .....	125
2001666, ASM,FRONT AXLE FORK,TRQFLX,TRX610/66.....	127
6100054, WHEEL,FRONT,15/6X6,RIBBED,TPRD BRG,BC .....	129
9991028, FRAME,TRX766,2026 .....	131
9991034, DECK LIFT,SYSTEM,TRX766,2026 .....	134
2000195, ASM,DECK HEIGHT LINK,XC/XPHD/TRX .....	138

2000350, ASM,DECK RELEASE PEDAL,ARG,XC/XPHD/TRX..... 140

2000351, ASM,DECK LIFT CATCH MNT,XC/XPHD/TRX..... 142

2000349, ASM,DECK STOP CATCH W/BUSH,XC/XPHD/TRX ..... 144

2000352, ASM,LIFT SPRING SHAFT W/BUSH,XC/XPHD/TRX..... 146

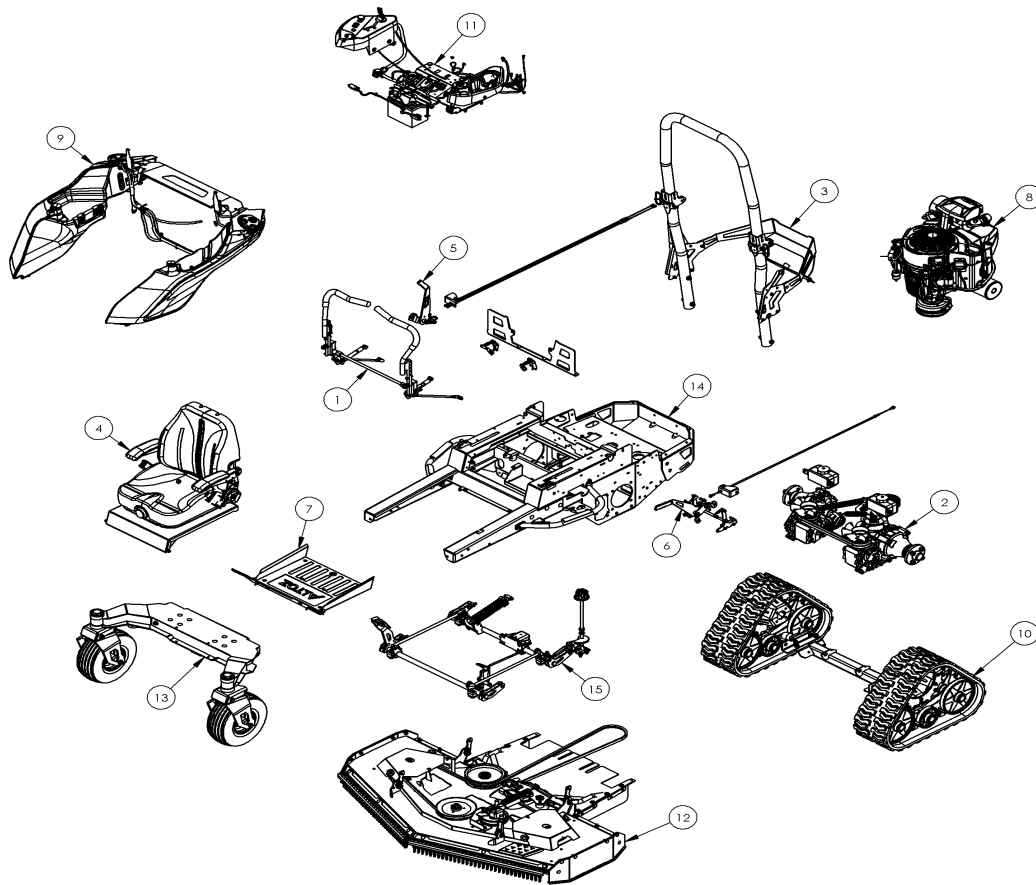
2000366, ASM,SPRING RETAIN/BUSH,LIFT,XC/XPHD/TRX..... 148

2000771, ASM,ADJ KNOB,DK HEIGHT,XC/XP/TRX/TSX/TFX ..... 150

2000936, ASM,CAM ARM PIVOT ARM,HOC,TRX610/660 ..... 152

# 1055248, TRX 766I K38.5 A

UNCONTROLLED DOCUMENT IF PRINTED



TITLE	TRX 766 K38.5 AT
PART NO.	1055248

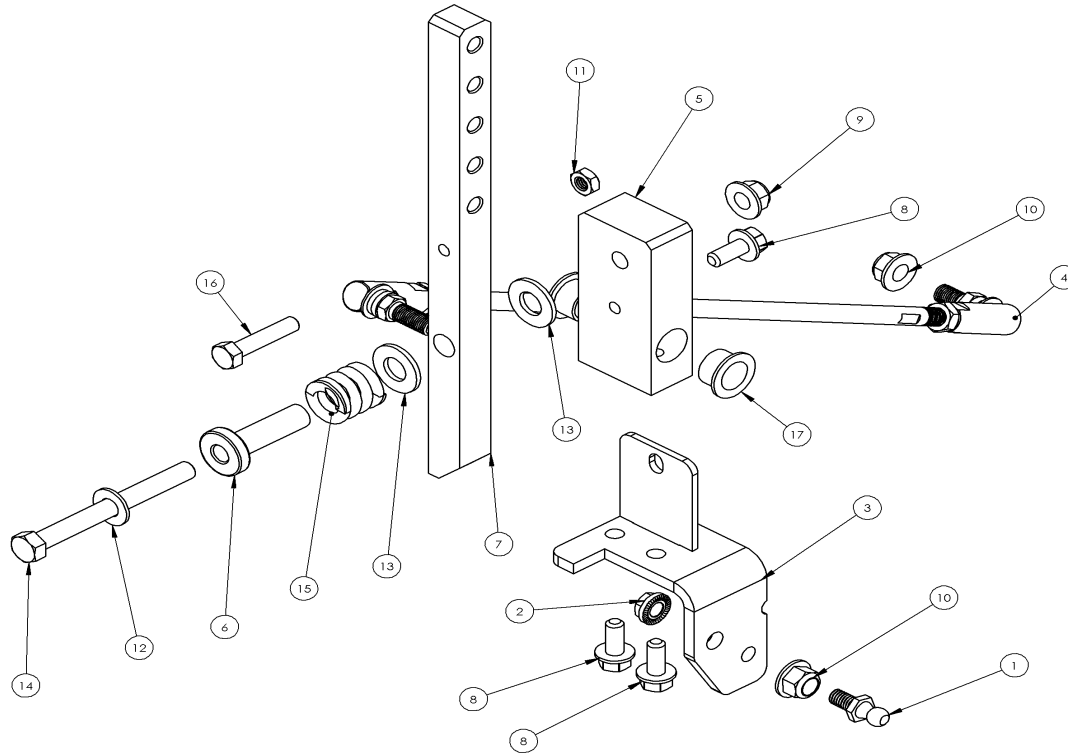
Ref#	Part#	Description	Qty
1	9990466	Steering	1
2	9990468	Drive	1
3	9990475	ROPS Assembly	1
4	9990592	Seat	1
5	9990631	Parking Brake	1
6	9990632	Speed Control	1
7	9990693	FOOT REST,SYSTEM,TRX766,2020-24	1
8	9990814	SYS,ENGINE/EXH,TRX/TFX 766 K38.5,2023-26	1
9	9990816	SYS,FUEL,TRX766 K38.5,2023-24	1
10	9990888	SYS,TRACK,CTR DRV,TRX766 AT 38.5,2025-26	1
11	9990891	SYS,ELECTRICAL,TRX766 K38.5,2025-26	1
12	9990892	SYS,AT DECK,REVR SBL ROTAT,TRX766,2025-26	1
13	9990893	FRONT AXLE,OFFSET SPINDLE,TRX766,2025-26	1
14	9991028	FRAME,TRX766,2026	1
15	9991034	DECK LIFT,SYSTEM,TRX766,2026	1



Ref#	Part#	Description	Qty
1	4356	SCREW, PKG QTY 10	4
2	1200445	WELD,STEERING ARM,RH,XE/XEHD/XPHD/TRX	1
3	1200446	WELD,STEERING ARM,LH,XE/XEHD/XPHD/TRX	1
4	1200642	WELD,STEERING SHAFT,TRX610/660/766	1
5	2000879	ASM,STEERING CONTROL,RH,TRX610/660	1
6	2000880	ASM,STEERING CONTROL,LH,TRX610/660	1
7	2900266	DAMPER ASSEMBLY	2
8	3103744	HEX,STEERING BLOCK STOP,6061 ALUM,PL	2
9	5000126	BOLT, PKG QTY (10)	1
10	5000130	BOLT,3/8"-16X1", PKG QTY (10)	4
11	5000156	NUT, PKG QTY 20	1
12	5000478	WASHER	4
13	5500004	STEERING GRIP	1
14	5500004	STEERING GRIP	1

### 2000879, ASM,STEERING CONTROL,RH,TRX610/660

UNCONTROLLED DOCUMENT IF PRINTED

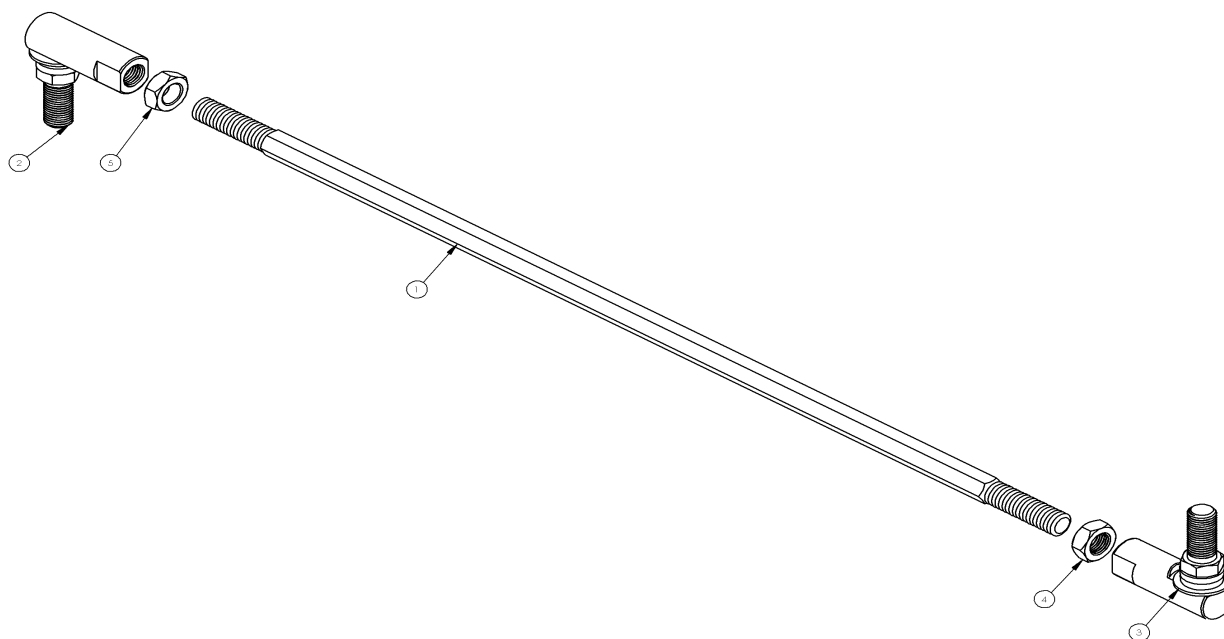


TITLE	Asm, Steering Control, RH, TRX
PART NO.	2000879

Ref#	Part#	Description	Qty
1	4264	BALL JOINT	1
2	5424	NUT, PKG QTY (10)	1
3	1200636	WELD,STEERING CONTROL,RH,TRX610/660/766	1
4	2000881	ASM,STEERING CONTROL ROD,XPHD/TRX	1
5	3102676	BLOCK,STEERING,XE/XR/XPHD/TRX	1
6	3102915	PIVOT,BUSHING,STEERING BLOCK,TRX	1
7	3102916	MNT,STEERING CONTROL,.75"SQX11.375",ZY	1
8	5000127	BOLT, PKG QTY (10)	3
9	5000159	NUT, PKG QTY 20	1
10	5000160	NUT, PKG QTY (10)	2
11	5000165	NUT	1
12	5000174	WASHER, PKG QTY (10)	1
13	5000176	WASHER, PKG QTY (10)	2
14	5000300	SCREW	1
15	5000576	SPRING,DIE,1"ODX0.50"IDX1"L,BLU,CHR-SIL	1
16	5000644	SCREW,5/16"-18X1-1/2",HHCS,FT,ZY	1
17	5000691	BUSHING,STEERING,PLASTIC,3/4"ODX1/2"	2

## 2000881, ASM, STEERING CONTROL ROD, XPHD/TRX

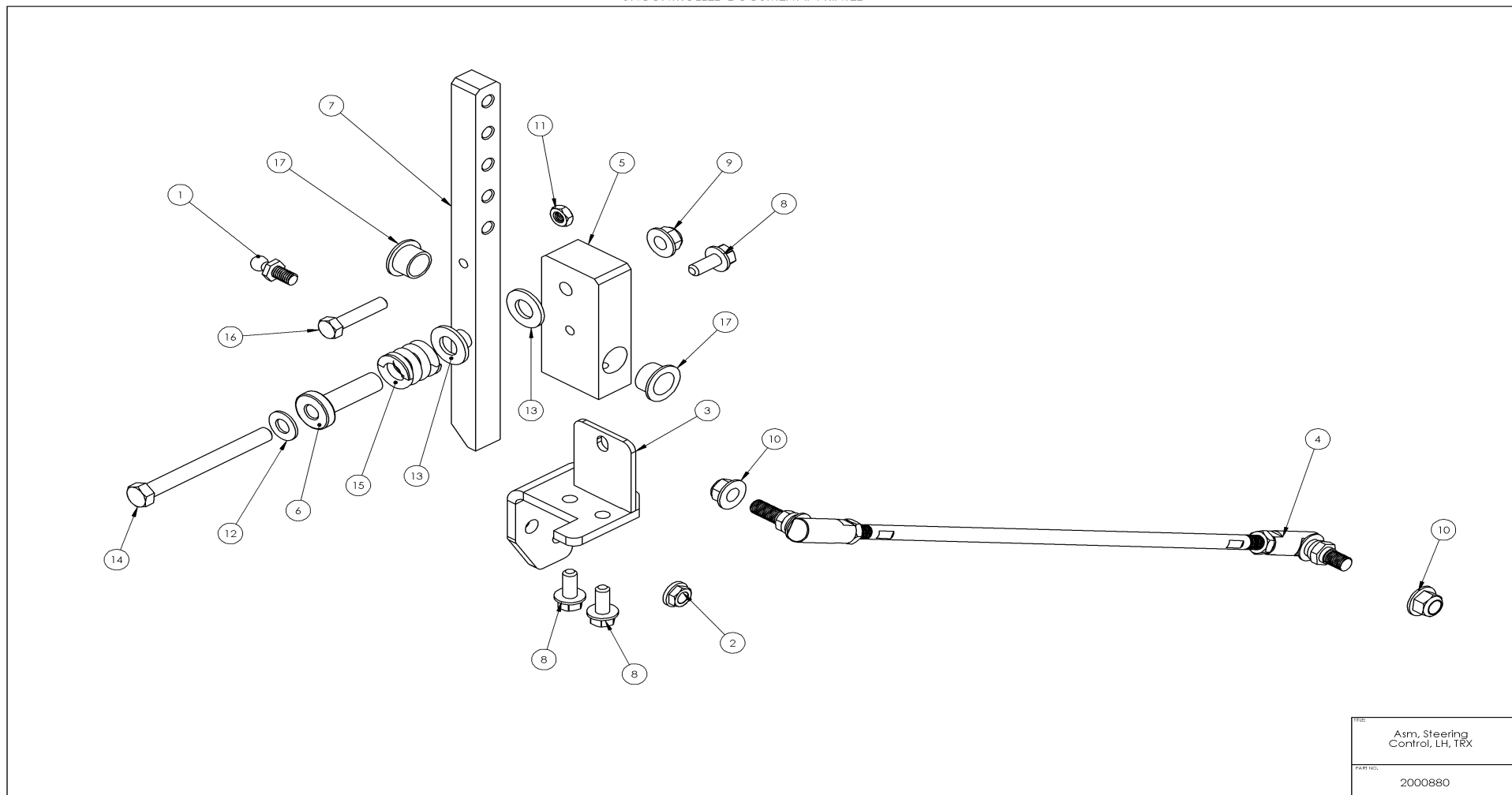
UNCONTROLLED DOCUMENT IF PRINTED

TITL  
Asm. Steering Control  
Rod, TRXPART NO.  
2000881

Ref#	Part#	Description	Qty
1	3103721	CONTROL ROD,STEER,HEX,3/8"-24,14.875",ZY	1
2	5000067	BALL JOINT	1
3	5000069	BALL JOINT	1
4	5000168	NUT, PKG QTY (10)	1
5	5000242	NUT	1

## 2000880, ASM,STEERING CONTROL,LH,TRX610/660

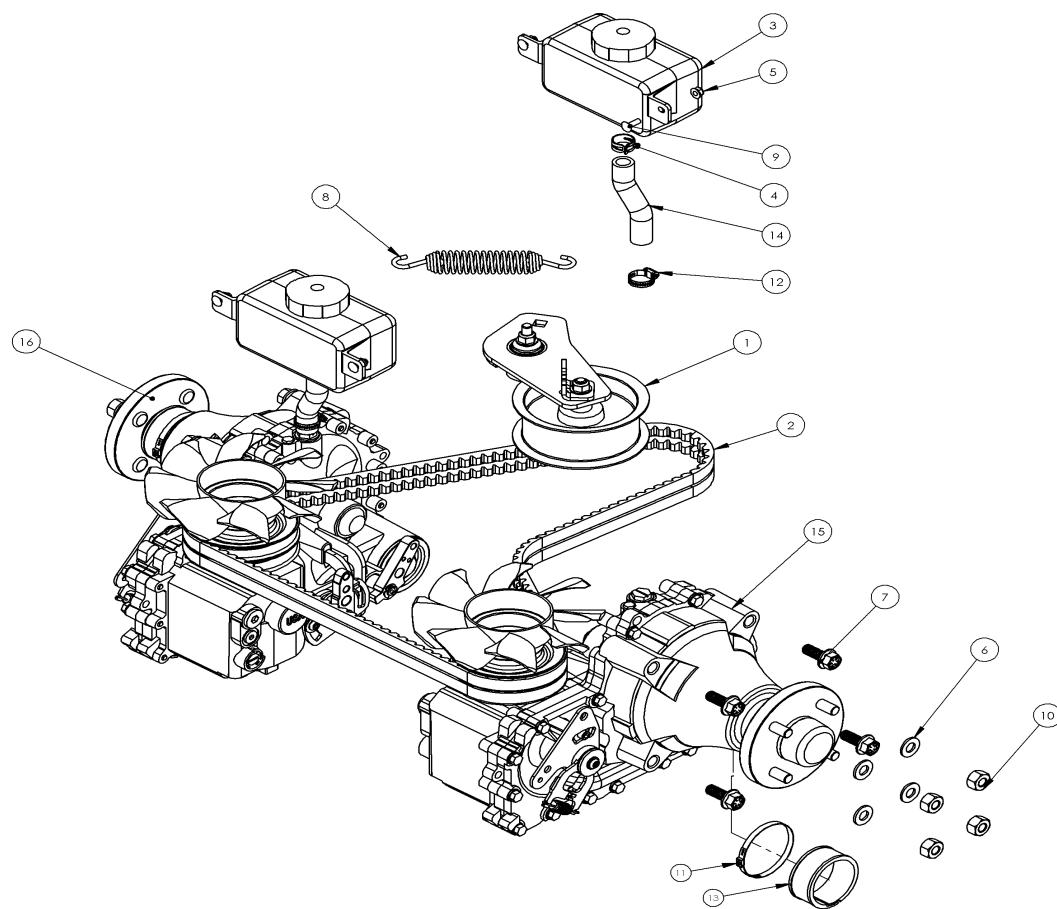
UNCONTROLLED DOCUMENT IF PRINTED



Ref#	Part#	Description	Qty
1	4264	BALL JOINT	1
2	5424	NUT, PKG QTY (10)	1
3	1200635	WELD,STEERING CONTROL,LH,TRX610/660/766	1
4	2000881	ASM,STEERING CONTROL ROD,XPHD/TRX	1
5	3102676	BLOCK,STEERING,XE/XR/XPHD/TRX	1
6	3102915	PIVOT,BUSHING,STEERING BLOCK,TRX	1
7	3102916	MNT,STEERING CONTROL,.75"SQX11.375",ZY	1
8	5000127	BOLT, PKG QTY (10)	3
9	5000159	NUT, PKG QTY 20	1
10	5000160	NUT, PKG QTY (10)	2
11	5000165	NUT	1
12	5000174	WASHER, PKG QTY (10)	1
13	5000176	WASHER, PKG QTY (10)	2
14	5000300	SCREW	1
15	5000576	SPRING,DIE,1"ODX0.50"IDX1"L,BLU,CHR-SIL	1
16	5000644	SCREW,5/16"-18X1-1/2",HHCS,FT,ZY	1
17	5000691	BUSHING,STEERING,PLASTIC,3/4"ODX1/2"	2

### 9990468, Drive

UNCONTROLLED DOCUMENT IF PRINTED

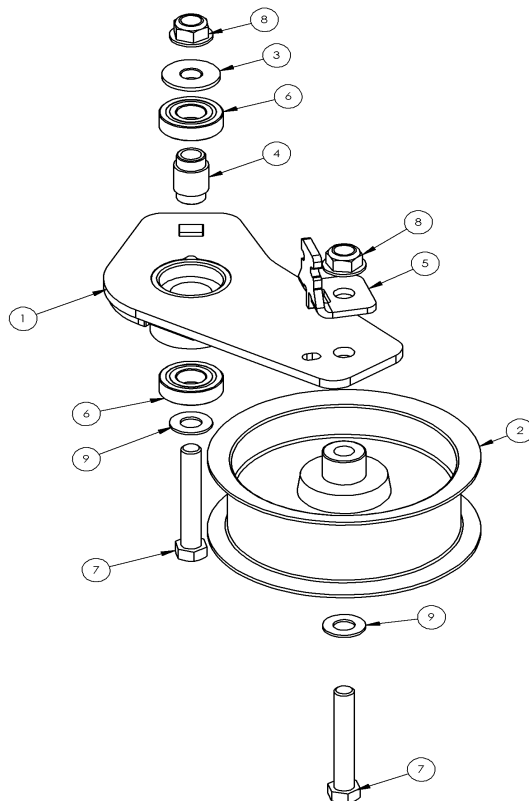


TITLE	Drive, TRX
PART NO.	9990468

Ref#	Part#	Description	Qty
1	2000647	ASM,DRIVE TENSIONER,5",TRX610/660	1
2	2900606	BELT,DRIVE,NOTCHED,BX69,11/18	2
3	4000027	FLUID RESERVIOR 5400	2
4	5000084	UNICLAMP	2
5	5000156	NUT, PKG QTY 20	4
6	5000176	WASHER, PKG QTY (10)	8
7	5000243	BOLT,1/2"-13X1-1/4",PKG QTY 5	8
8	5000295	SPRING	1
9	5000492	BOLT	4
10	5000571	NUT, HEAVY HEX, PKG QTY (10)	8
11	5000692	PINCH CLAMP,2.968"ID,0.281"WIDE,304SS	2
12	5000885	CLAMP,WORM DRIVE,SAE#10,5/16"WIDE,SS	2
13	5500057	TRANS GUARD,MOLDED,2.5"IDX1.25",TRX766	2
14	5700071	HOSE,HYDR,5/8"IDx4.875",CTL,TRX610/66	2
15	6200044	TRANS,LH,2 SPEED,ZT 5400,2018	1
16	6200045	TRANS,RH,2 SPEED,ZT 5400,2018	1

2000647, ASM,DRIVE TENSIONER,5",TRX610/660

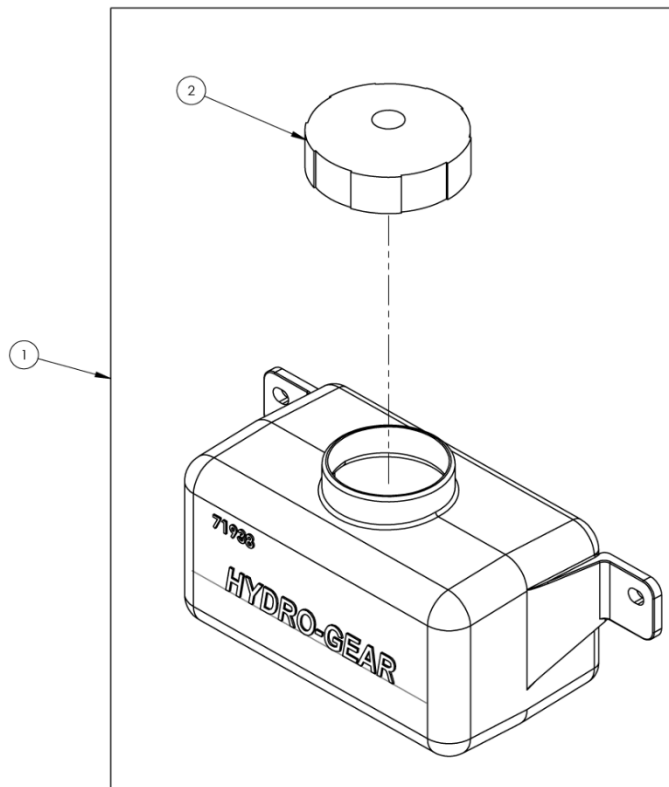
UNCONTROLLED DOCUMENT IF PRINTED



FILE	Asm, Drive Tensioner, TRX,5in
PART NO.	2000647

Ref#	Part#	Description	Qty
1	1200634	WELD,DRIVE TENSIONER,5",TRX610/660/766	1
2	2900523	PULLEY,IDLER,DRIVE,5.85"ODX0.438"IDX2"W	1
3	3100502	LOWER SPACER	1
4	3100503	SLEEVE	1
5	3104092	BRKT,TENSIONER SPRING HOOK,7GA,TRX610/66	1
6	5000082	BEARING	2
7	5000139	SCREW	2
8	5000161	NUT, PKG QTY 10	2
9	5000175	WASHER, PKG QTY (10)	2

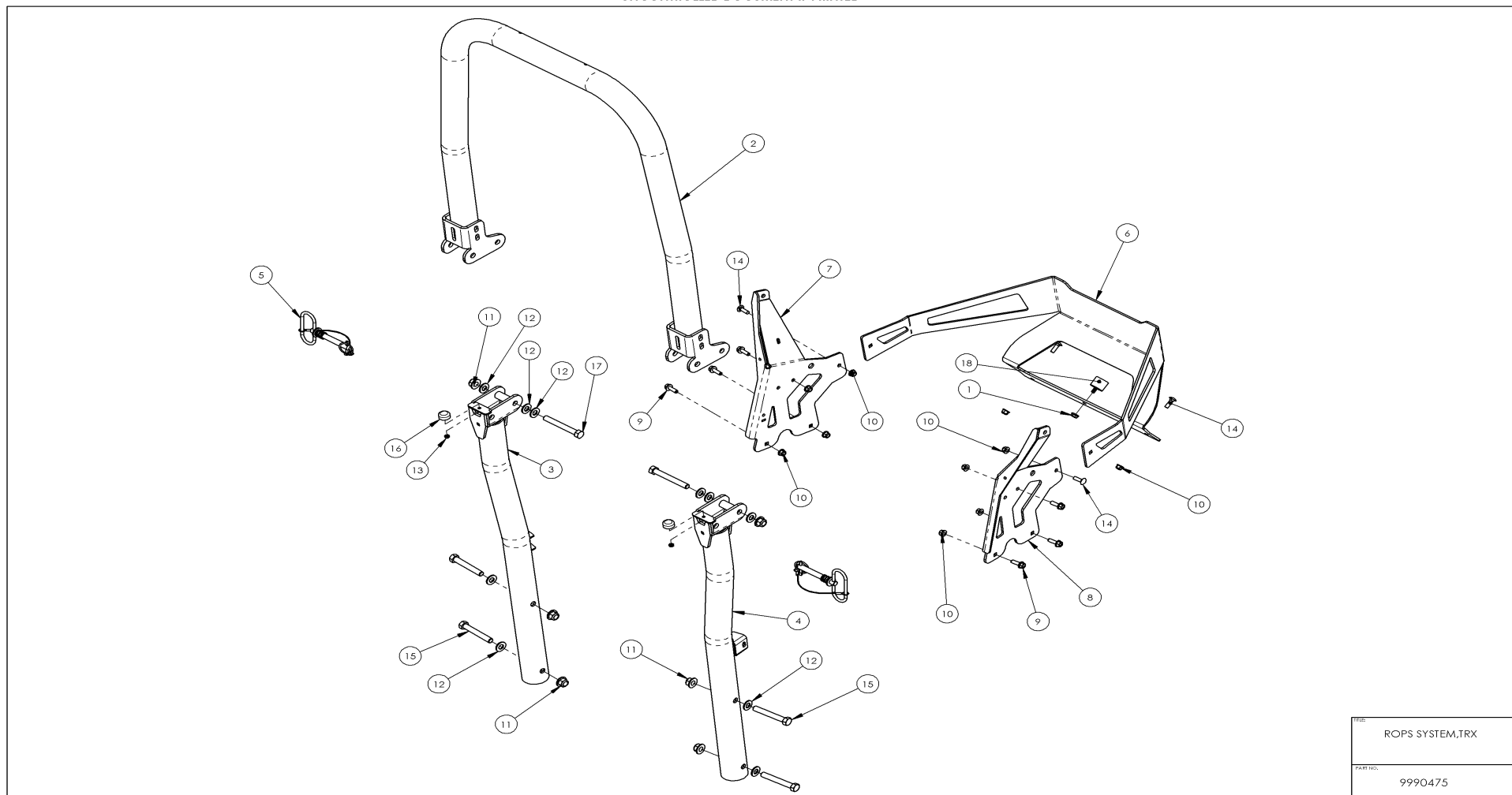
### 4000027, FLUID RESERVIOR 5400



Ref#	Part#	Description	Qty
2	4000065	CAP,FLUID RESERVOIR,TRANSMISSION	1

## 9990475, ROPS Assembly

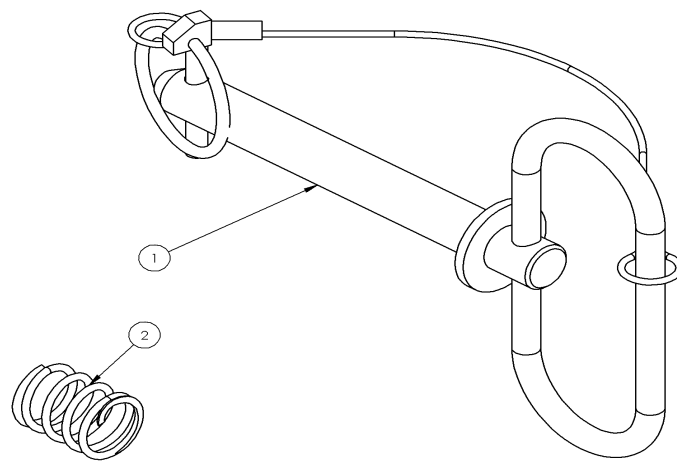
UNCONTROLLED DOCUMENT IF PRINTED



Ref#	Part#	Description	Qty
1	5424	NUT, PKG QTY (10)	1
2	1200607	WELD,ROPS,UPPER TUBE,XP/TRX/TFX	1
3	1200640	WELD,ROPS,LWR TUBE,RH,TRX/TFX 766	1
4	1200641	WELD,ROPS,LWR TUBE,LH,TRX/TFX 766	1
5	2001120	ASM,ROPS PIN,W/SPRING,XE/XEHD/XPHD/TRX	2
6	3104079	GUARD,ENGINE,7GA,TRX610/660/766	1
7	3104080	BRKT,MTG,ENGINE GUARD,RH,7GA,TRX610/66	1
8	3104081	BRKT,MTG,ENGINE GUARD,LH,7GA,TRX610/66	1
9	5000128	BOLT, PKG QTY (10)	6
10	5000157	NUT, PKG QTY 10	10
11	5000162	NUT, PKG QTY 10	6
12	5000176	WASHER, PKG QTY (10)	10
13	5000178	NUT,#10-24,KEPS,ZY	2
14	5000194	BOLT	4
15	5000403	SCREW	4
16	5000566	BUMPER,STUD MNT,#10-24,1"ODX1/2"HT	2
17	5000581	SCREW	2
18	5500007	BUMPER	1

## 2001120, ASM,ROPS PIN,W/SPRING,XE/XEHD/XPHD/TRX

UNCONTROLLED DOCUMENT IF PRINTED

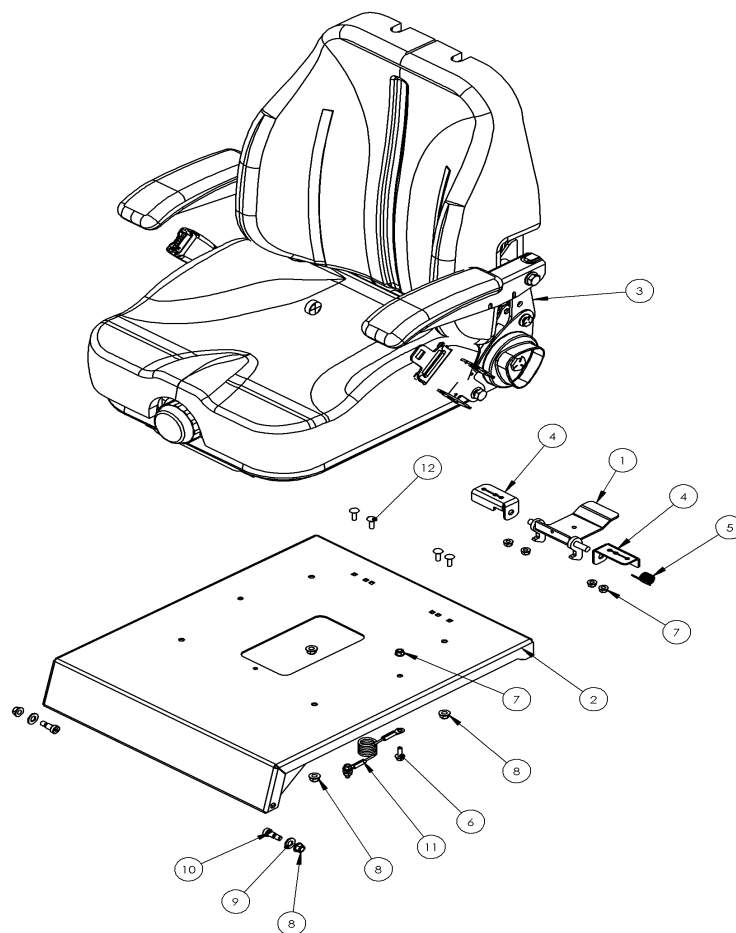


TITLE	ASM,ROPS PIN, W/SPRING, XE/XPHD/TRX
PART NO.	2001120

Ref#	Part#	Description	Qty
1	5000656	HITCH PIN,1/2"OD,W/LYNCH PIN_LANYARD,ZC	1
2	5000657	SPRING,COMPR,0.072"Wx0.72"ODx0.875",ZC	1

## 9990592, Seat

UNCONTROLLED DOCUMENT IF PRINTED

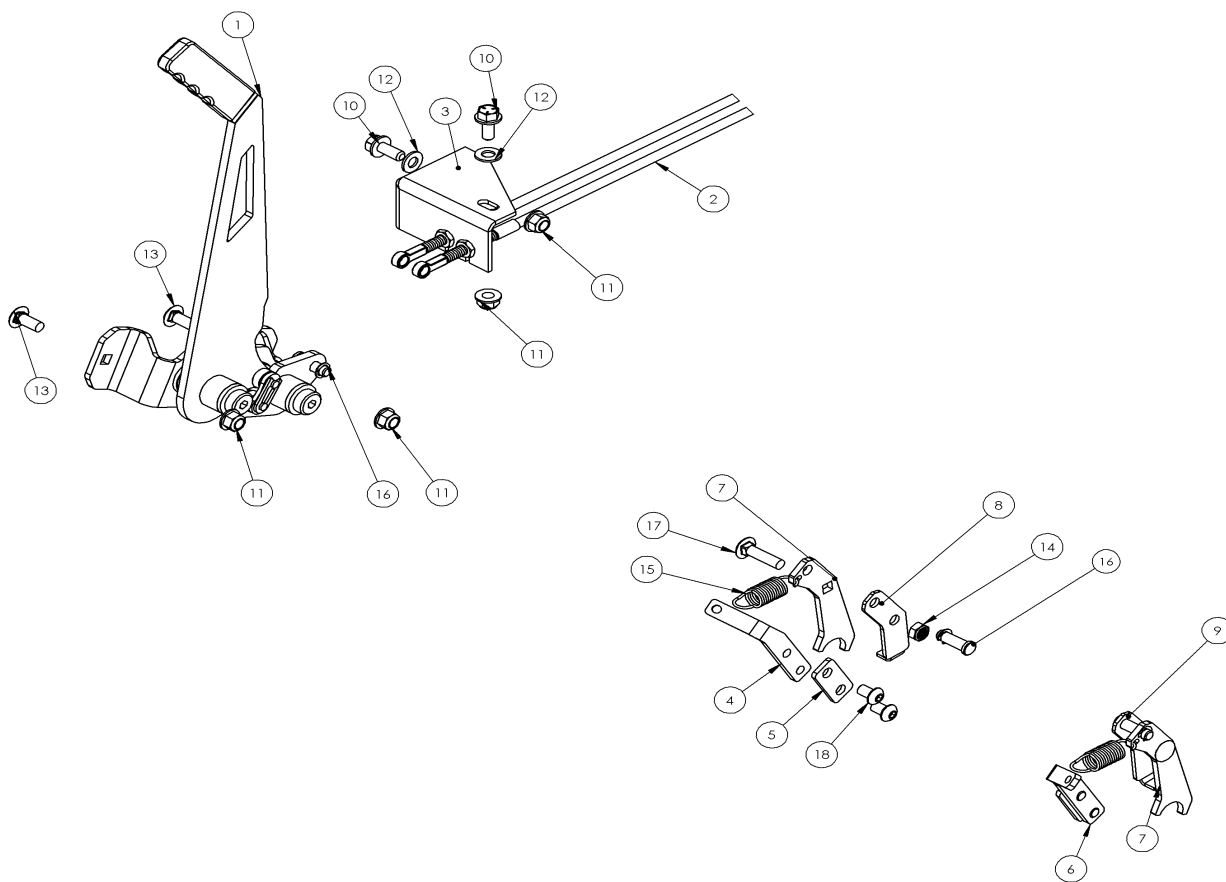


TITLE	Seat,TRX
PART NO.	9990592

Ref#	Part#	Description	Qty
1	1200104	WELD,SEAT PAN LATCH,XC/XPHD/TRX	1
2	1200644	WELD,SEAT PAN,TRX610/660/766,TFX	1
3	2900759	SEAT,SUSPENSION,XPHD/XC/TRX561/TRX766	1
4	3100976	HINGE BRKT,SEAT PN LTCH,12GA,XC/XPHD/TRX	2
5	5000073	SPRING	1
6	5000126	BOLT, PKG QTY (10)	2
7	5000156	NUT, PKG QTY 20	6
8	5000157	NUT, PKG QTY 10	6
9	5000174	WASHER, PKG QTY (10)	2
10	5000444	BOLT	2
11	5000454	LANYARD,3/32"DIA,24"LENGTH,COILED	1
12	5000492	BOLT	4

## 9990631, Parking Brake

UNCONTROLLED DOCUMENT IF PRINTED



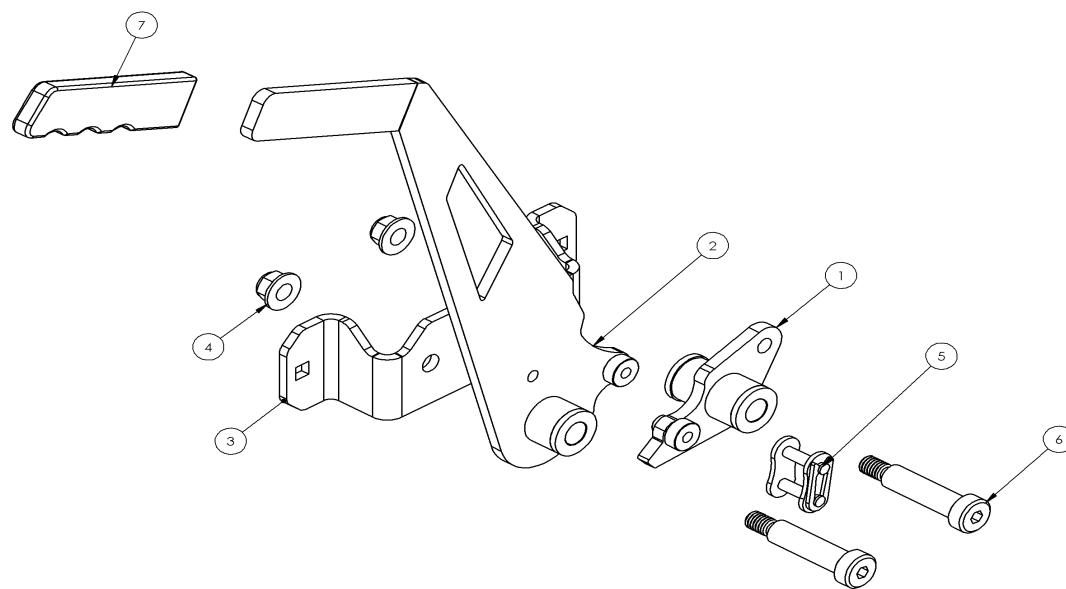
Title Brake,TRX766

PART NO. 9990631

Ref#	Part#	Description	Qty
1	2000926	ASM,BRAKE HANDLE,TRX610/660	1
2	2900491	CABLE,BRAKE,XPHD/TRX561/766	2
3	3103728	BRAKE,UPPER CABLE MNT,10GA,XPHD/TRX	1
4	3104060	BRAKE,RH SPRING RTN BRKT,7GA,TRX 61/66	1
5	3104061	BRAKE,RTN BRKT RETAINER,10GA,TRX 61/66	2
6	3104062	BRAKE,LH SPRING RTN BRKT,7GA,TRX 61/66	1
7	3104093	BRAKE,EXT BRKT,RH/LH,7GA,TRX 61/66	2
8	3105191	BRAKE ARM EXT,INTERNAL,RH,12GA,TRX766	1
9	3105192	BRAKE ARM EXT,INTERNAL,LH,12GA,TRX766	1
10	5000127	BOLT, PKG QTY (10)	2
11	5000157	NUT, PKG QTY 10	4
12	5000173	WASHER, PKG QTY (10)	2
13	5000196	BOLT	2
14	5000274	NUT, PKG QTY (10)	2
15	5000489	SPRING,EXT,HOOKS,0.069"Wx0.625"ODx2",ZC	2
16	5000553	PIN	3
17	5000559	BOLT	2
18	5000568	SCREW	4

## 2000926, ASM,BRAKE HANDLE,TRX610/660

UNCONTROLLED DOCUMENT IF PRINTED

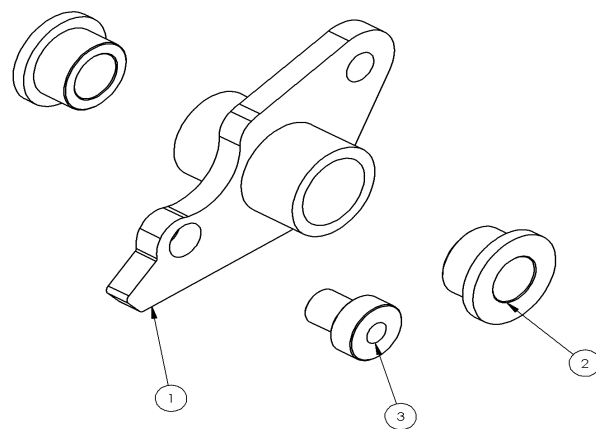


TITLE	Asm,Brake Handle, TRX
PART NO.	2000926

Ref#	Part#	Description	Qty
1	2000820	ASM,BRAKE CAM ARM,XPHD/TRX	1
2	2000927	ASM,BRAKE HANDLE WELD,TRX610/660	1
3	3103729	BRKT,BRAKE/TWO SPEED MNT,7GA,XPHD/TRX	1
4	5000159	NUT, PKG QTY 20	2
5	5000398	CONNECTING LINK,60H,AQUA,CRSN RESISTANT	1
6	5000549	BOLT	2
7	5500025	GRIP,BRK/2SPD HNDL,BLK,1"X4-11/16"(6/PK)	1

## 2000820, ASM, BRAKE CAM ARM, XPHD/TRX

UNCONTROLLED DOCUMENT IF PRINTED

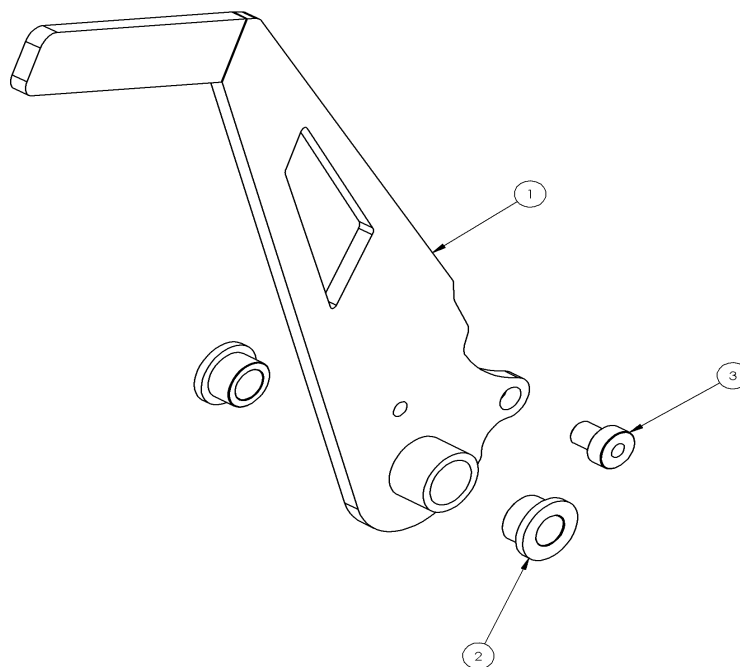


TITLE	Asm, Brake Cam, XPHD
PART NO.	2000820

Ref#	Part#	Description	Qty
1	1200580	WELD,BRAKE/TWO SPEED CAM,XPHD/TRX	1
2	5000090	BUSHING	2
3	5000399	SLEEVE,HARD RC 40,ZY	1

## 2000927, ASM, BRAKE HANDLE WELD, TRX610/660

UNCONTROLLED DOCUMENT IF PRINTED

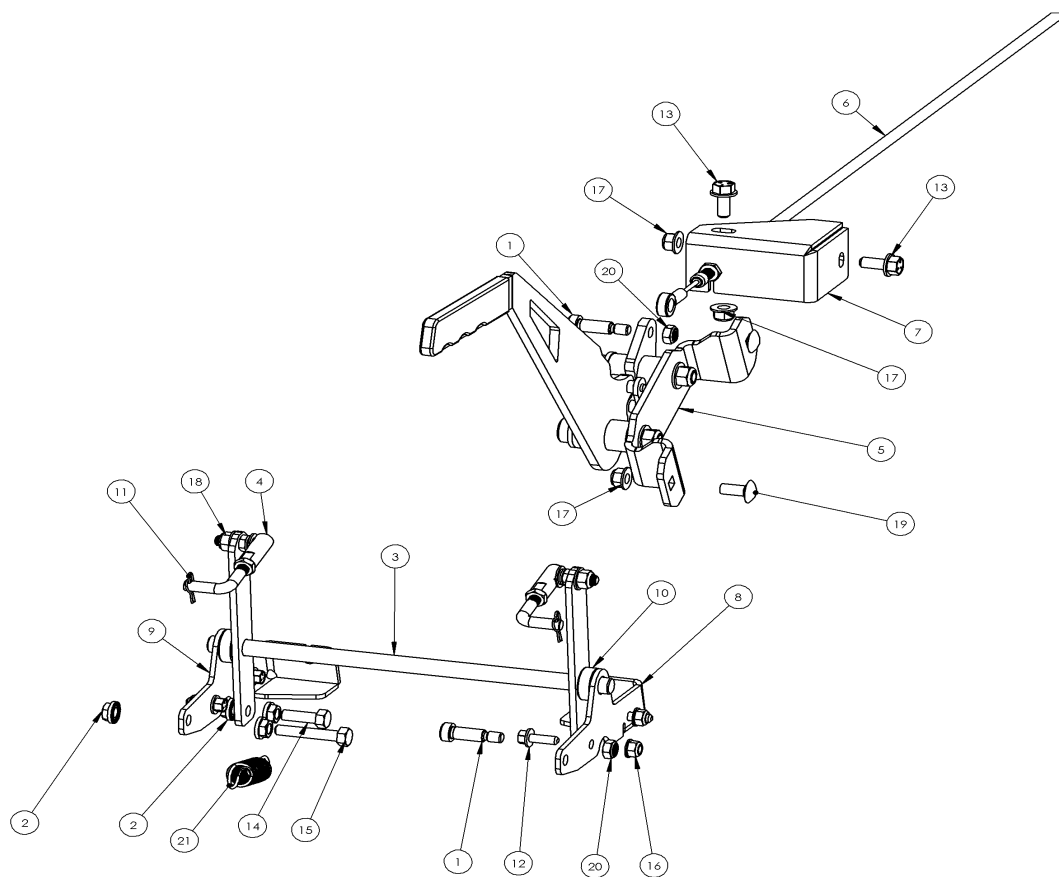


TITLE	Asm, Brake Handle, TRX
PART NO.	2000927

Ref#	Part#	Description	Qty
1	1200633	WELD,BRAKE HANDLE,TRX610/660/766	1
2	5000090	BUSHING	2
3	5000399	SLEEVE,HARD RC 40,ZY	1

## 9990632, Speed Control

UNCONTROLLED DOCUMENT IF PRINTED

Speed Control,  
TRX766

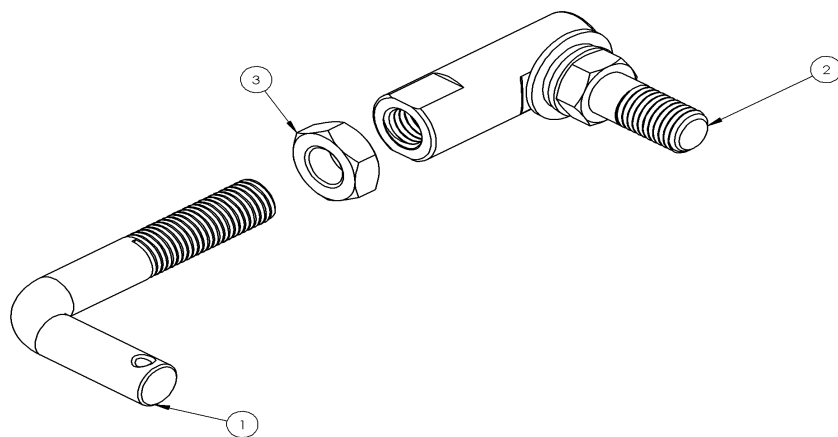
PART NO.

9990632

Ref#	Part#	Description	Qty
1	5095	BOLT	2
2	5424	NUT, PKG QTY (10)	4
3	1200648	WELD,TWO SPEED LINKG ARM,TRX610/660/766	1
4	2000222	ASM,TWO SPEED LINKAGE,XCZ/TRX	2
5	2000883	ASM,TWO SPEED HANDLE,TRX610/660	1
6	2900604	CABLE,TWO SPEED,TRX766	1
7	3105181	BRKT,CABLE MNT,TWO SPEED,10GA,TRX/TFX766	1
8	3105182	BRKT,TWO SPEED MNT,LH,10GA,TRX766	1
9	3105183	BRKT,TWO SPEED MNT,RH,10GA,TRX766	1
10	4000042	SPACER	2
11	5000096	COTTER PIN	2
12	5000126	BOLT, PKG QTY (10)	4
13	5000127	BOLT, PKG QTY (10)	2
14	5000134	SCREW	1
15	5000135	SCREW, PKG QTY (10)	1
16	5000156	NUT, PKG QTY 20	4
17	5000157	NUT, PKG QTY 10	4
18	5000158	NUT	2
19	5000196	BOLT	2
20	5000274	NUT, PKG QTY (10)	2
21	5000316	SPRING	1

## 2000222, ASM,TWO SPEED LINKAGE,XCZ/TRX

UNCONTROLLED DOCUMENT IF PRINTED

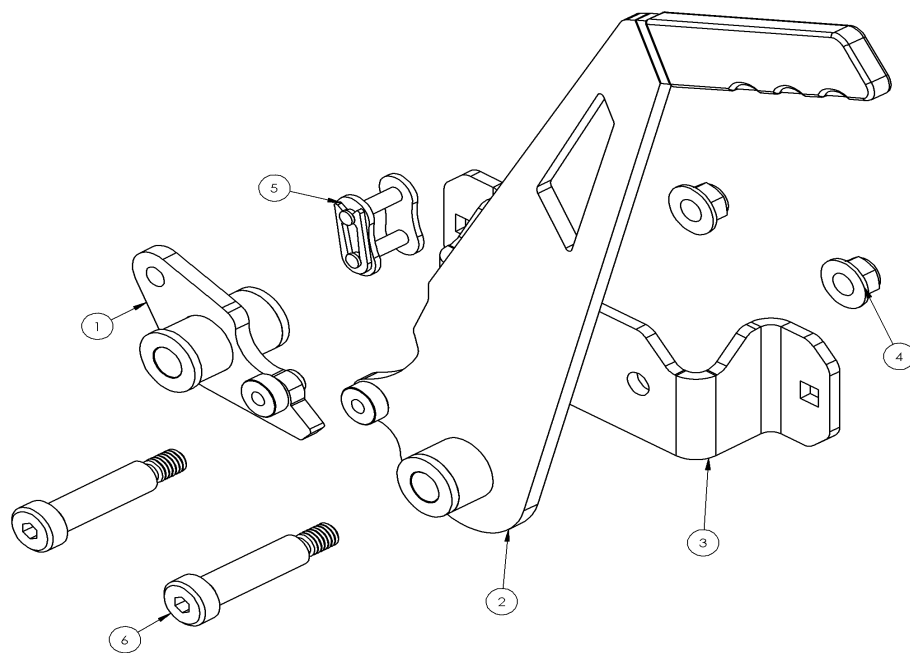


TITLE	Asm,Two Speed, Linkage
PART NO.	2000222

Ref#	Part#	Description	Qty
1	3100492	LINK	1
2	5000068	BALL JOINT	1
3	5000166	NUT	1

## 2000883, ASM,TWO SPEED HANDLE,TRX610/660

UNCONTROLLED DOCUMENT IF PRINTED

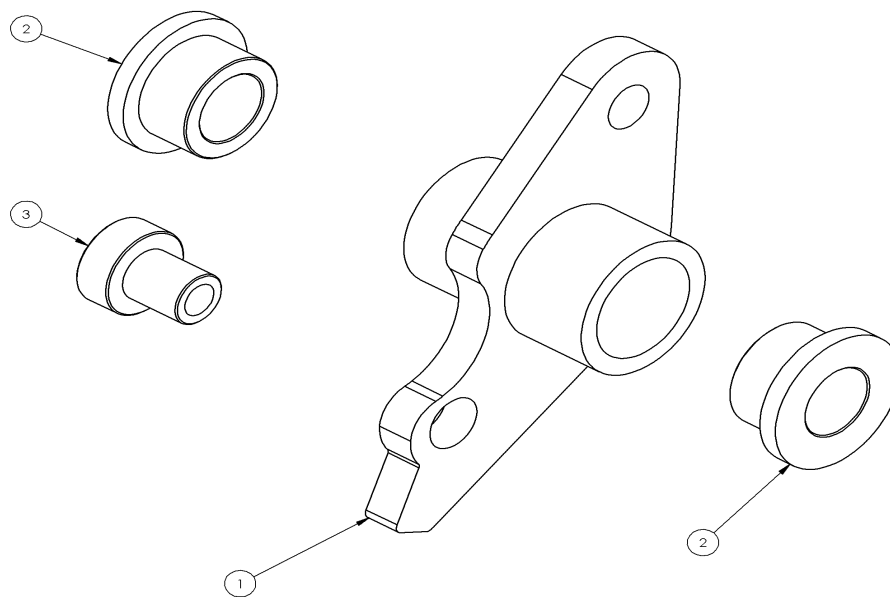


TITLE	Asm,2Spd,TRX
PART NO.	2000883

Ref#	Part#	Description	Qty
1	2000884	ASM,TWO SPEED CAM ARM,TRX610/660	1
2	2000885	ASM,TWO SPEED HANDLE WELD,TRX610/660	1
3	3103729	BRKT,BRAKE/TWO SPEED MNT,7GA,XPHD/TRX	1
4	5000159	NUT, PKG QTY 20	2
5	5000398	CONNECTING LINK,60H,AQUA,CRSN RESISTANT	1
6	5000549	BOLT	2

## 2000884, ASM, TWO SPEED CAM ARM, TRX610/660

UNCONTROLLED DOCUMENT IF PRINTED

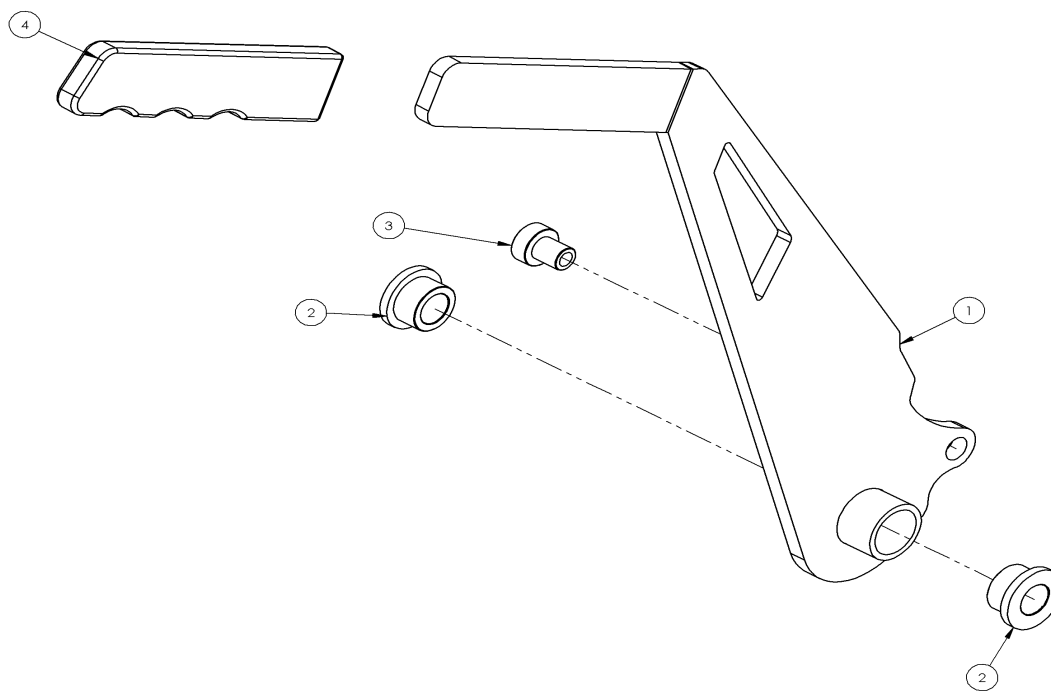


TITLE	Asm, 2Spd Cam Arm, TRX
PART NO.	2000884

Ref#	Part#	Description	Qty
1	1200580	WELD,BRAKE/TWO SPEED CAM,XPHD/TRX	1
2	5000090	BUSHING	2
3	5000399	SLEEVE,HARD RC 40,ZY	1

## 2000885, ASM,TWO SPEED HANDLE WELD,TRX610/660

UNCONTROLLED DOCUMENT IF PRINTED

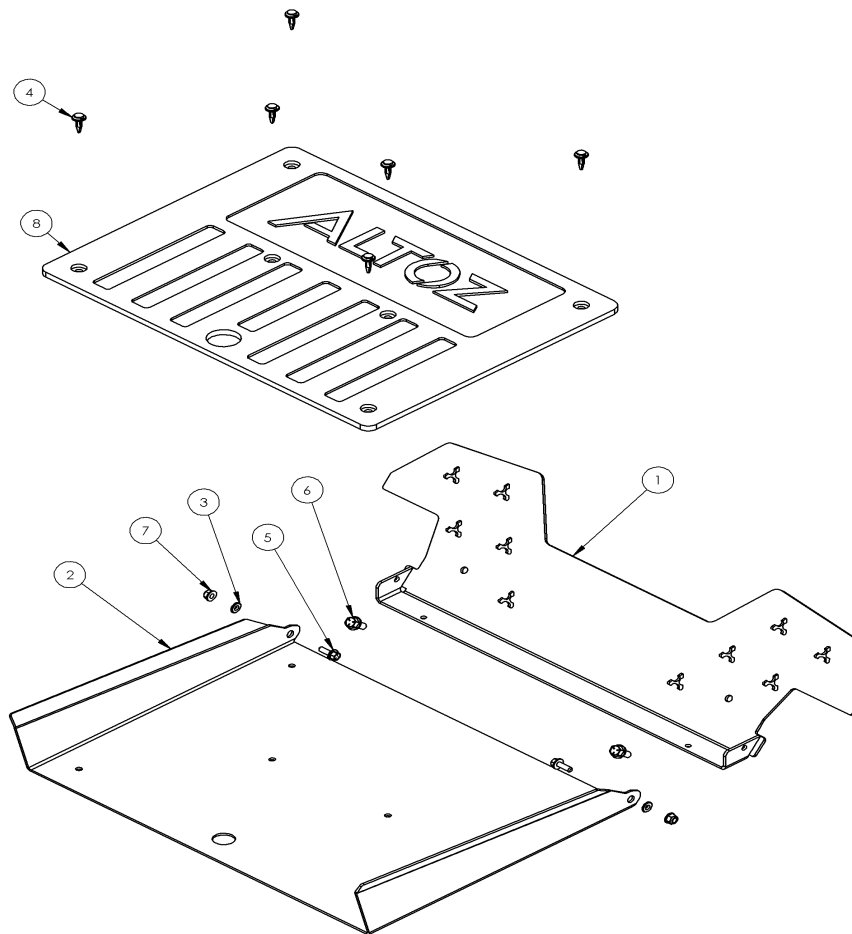


TITLE	Asm,2Spd Handle,TRX
PART NO.	2000885

Ref#	Part#	Description	Qty
1	1200650	WELD,TWO SPEED HANDLE,TRX610/660/766	1
2	5000090	BUSHING	2
3	5000399	SLEEVE,HARD RC 40,ZY	1
4	5500025	GRIP,BRK/2SPD HNDL,BLK,1"X4-11/16"(6/PK)	1

9990693, FOOT REST,SYSTEM,TRX766,2020-24

UNCONTROLLED DOCUMENT IF PRINTED

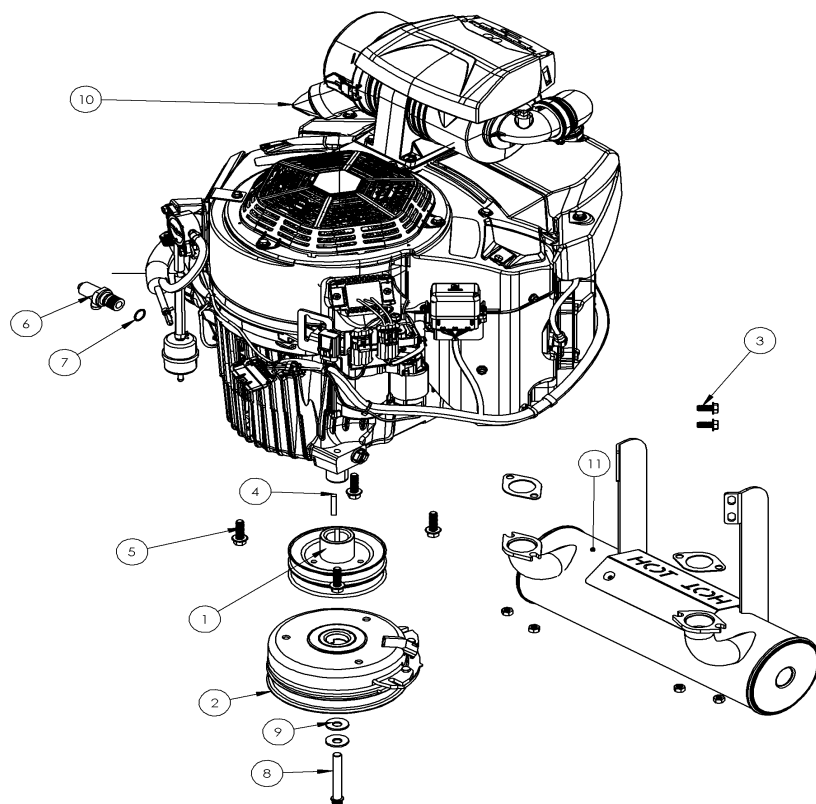


TITLE	Foot Pan, TRX766
PART NO.	9990693

Ref#	Part#	Description	Qty
1	3104050	FOOT REST,10GA,TRX/TFX	1
2	3105391	FLOOR PAN,12GA,TRX/TFX766	1
3	4000076	SPACER,PLASTIC,FLOOR PAN	2
4	5000115	RIVET	6
5	5000126	BOLT, PKG QTY (10)	2
6	5000127	BOLT, PKG QTY (10)	2
7	5000156	NUT, PKG QTY 20	2
8	5500049	RUBBER MAT,LARGE,ALTOZ,15.38"X20"	1

## 9990814, SYS,ENGINE/EXH,TRX/TFX 766 K38.5,2023-26

UNCONTROLLED DOCUMENT IF PRINTED

ENGINE/EXHAUST,  
TRX766 K38.5

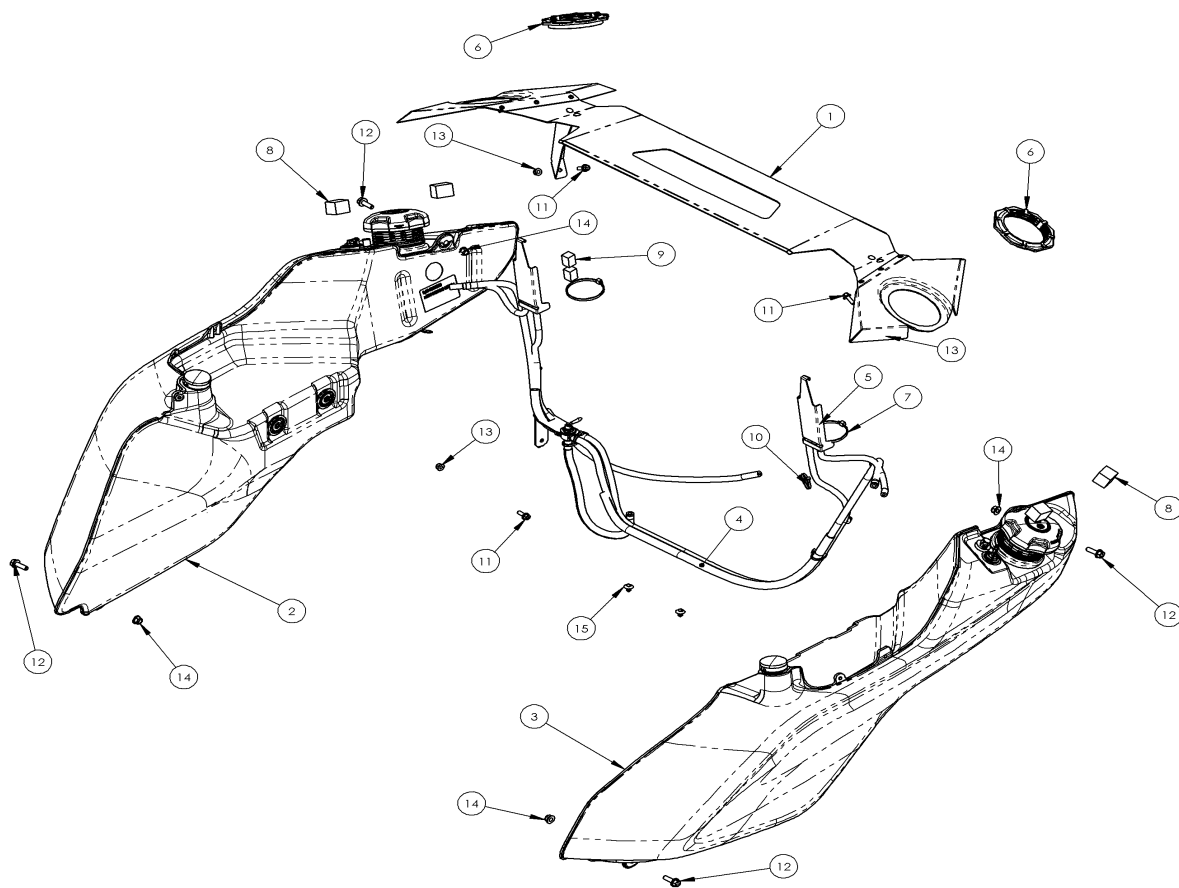
PART NO.

9990814

Ref#	Part#	Description	Qty
1	2900569	PULLEY,DRIVE,DOUBLE,5.0"OD	1
2	2900613	CLUTCH,DUAL STRAP,250FT LBS,CCW,1.125	1
3	5000256	BOLT	4
4	5000365	KEY,SQUARE,.25"X1.375"L,ZC	1
5	5000460	BOLT	4
6	5000821	OIL DRAIN,W/O O-RING,KAWASAKI ENGINE	1
7	5000822	O-RING,OIL DRAIN,KAWASAKI ENGINE	1
8	5000930	BOLT,7/16"-20X3-1/4",FLANGE,12PT,GR9,PL	1
9	5000934	WASHER,BELLEVILLE,.453IDX1.188ODX.089,PL	2
10	6200068	ENGINE,KAWASAKI,FX,38.5HP,EFI	1
11	6500019	MUFFLER	1

## 9990816, SYS,FUEL,TRX766 K38.5,2023-24

UNCONTROLLED DOCUMENT IF PRINTED

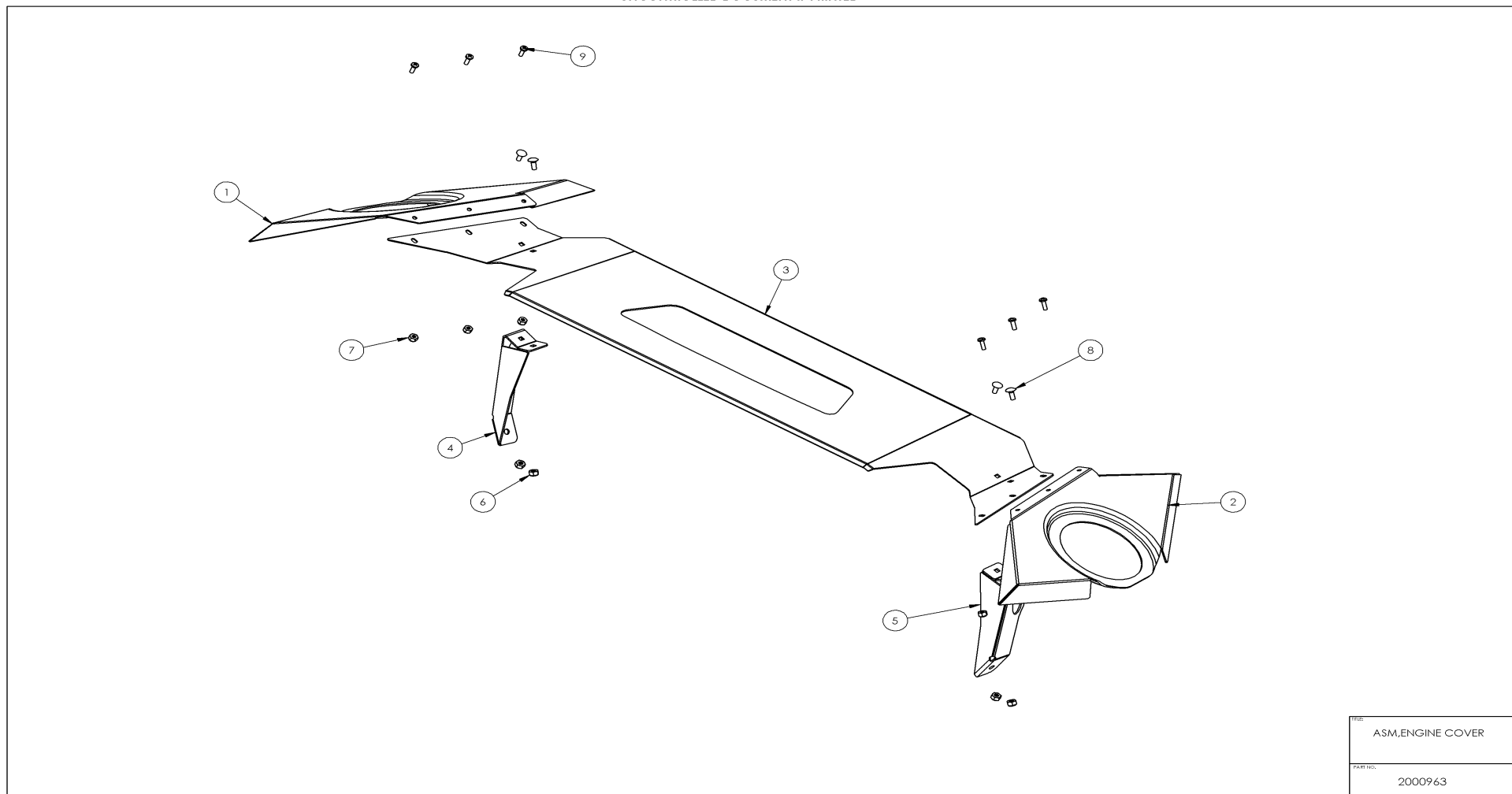


FILE	FUEL,TRX,K38,5
PART NO.	9990816

Ref#	Part#	Description	Qty
1	2000963	ASM,ENGINE COVER,TRX610/660	1
2	2000984	TANK,FUEL,RH ASM,XC/XPHD/TRX,05/17	1
3	2000985	TANK,FUEL,LH ASM,XC/XPHD/TRX,05/17	1
4	2001484	ASM,FUEL/VAPOR HOSE,TRX766I K38.5	1
5	3105190	COVER,VENT LINE,18GA,TRX561/766	2
6	4000019	RETAINER	2
7	4016	CABLE TIE,15",UV RESISTANT,BLK	2
8	4050025	FOAM	4
9	4050051	FOAM,ADHESIVE,5/8"Tx1"Wx5/8"L,EPDM	4
10	5000062	CABLE TIE	2
11	5000126	BOLT, PKG QTY (10)	3
12	5000128	BOLT, PKG QTY (10)	4
13	5000156	NUT, PKG QTY 20	3
14	5000157	NUT, PKG QTY 10	4
15	5000254	CABLE TIE	4

## 2000963, ASM,ENGINE COVER,TRX610/660

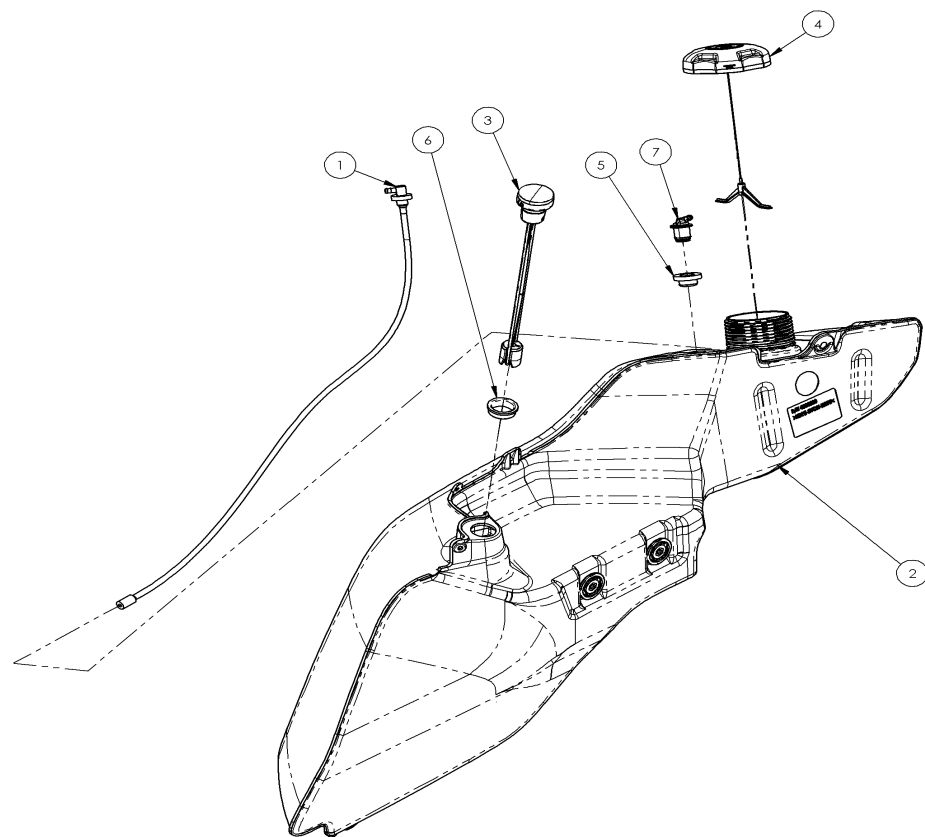
UNCONTROLLED DOCUMENT IF PRINTED



Ref#	Part#	Description	Qty
1	3103899	COVER,FUEL TANK,RH,16GA,XPHD/TRX	1
2	3103900	COVER,FUEL TANK,LH,16GA,XPHD/TRX	1
3	3104570	COVER,ENGINE,16GA,TRX610/660/766	1
4	3104571	MNT BRKT,ENGINE COVER,RH,14GA,TRX610/66	1
5	3104572	MNT BRKT,ENGINE COVER,LH,14GA,TRX610/66	1
6	5000179	NUT#10-24, NYLOC, PKG QTY (10)	4
7	5000574	NUT, PKG QTY (10)	6
8	5000663	BOLT,CARRIAGE,#10-24X.50",18-8 SS	4
9	5000664	SCREW, PKG QTY 10	6

## 2000984, TANK, FUEL, RH ASM, XC/XPHD/TRX, 05/17

UNCONTROLLED DOCUMENT IF PRINTED



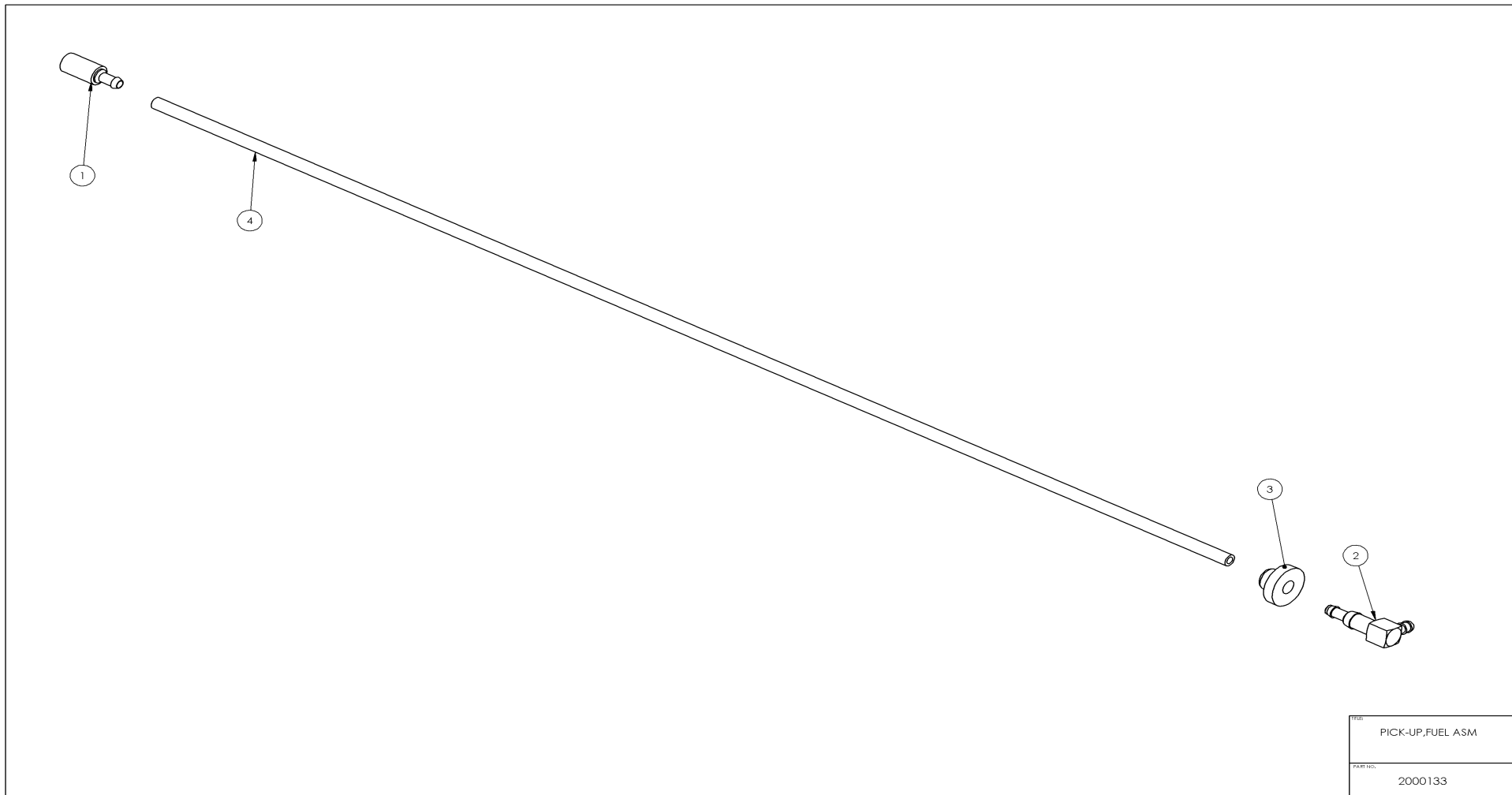
TANK,GAS,RH ASSY

PART NO.  
2000984

Ref#	Part#	Description	Qty
1	2000133	PICK-UP ASM,FUELTANK,31",XC/XP/TR/TF/SWT	1
2	2000994	TANK,FUEL,RH,W/FILL NECK (#2000984)	1
3	2900548	GAUGE,GAS,12.50",KELCH	1
4	2900782	CAP,GAS,3.5",RATCHET,W/ 9"TETHER,04/25	1
5	5000081	GROMMET	1
6	5000315	GROMMET	1
7	6500023	VENT,REMOTE,KELCH	1

### 2000133, PICK-UP ASM,FUELTANK,31",XC/XP/TR/TF/SWT

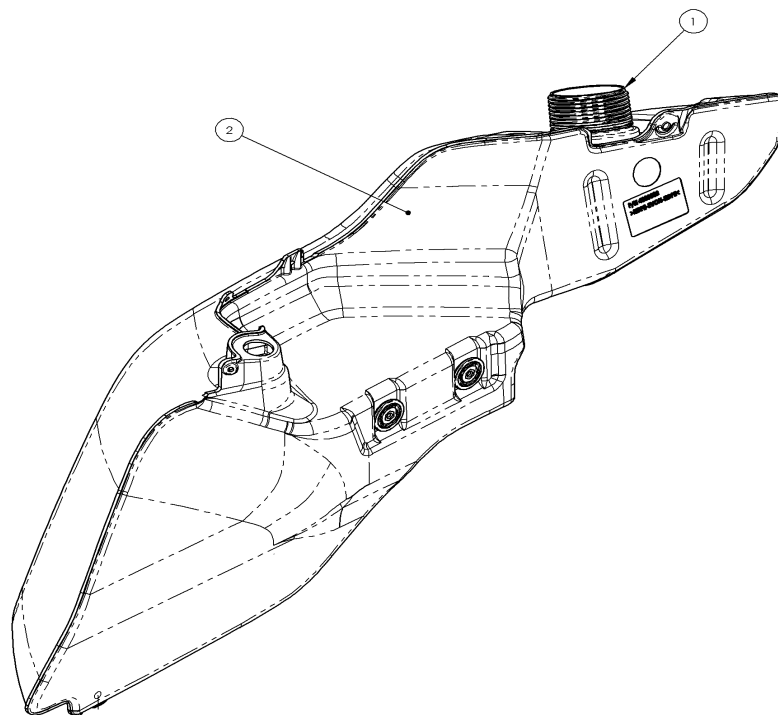
UNCONTROLLED DOCUMENT IF PRINTED



Ref#	Part#	Description	Qty
1	5000046	PICK-UP W/ FILTER,FUEL ASM	1
2	5000048	ELBOW,90°,FUEL PICK-UP	1
3	5000049	GROMMET	1
4	5700002	HOSE,FUEL PICKUP,3/16"IDX31",XC/XPHD/TRX	1

**2000994, TANK, FUEL, RH, W/FILL NECK (#2000984)**

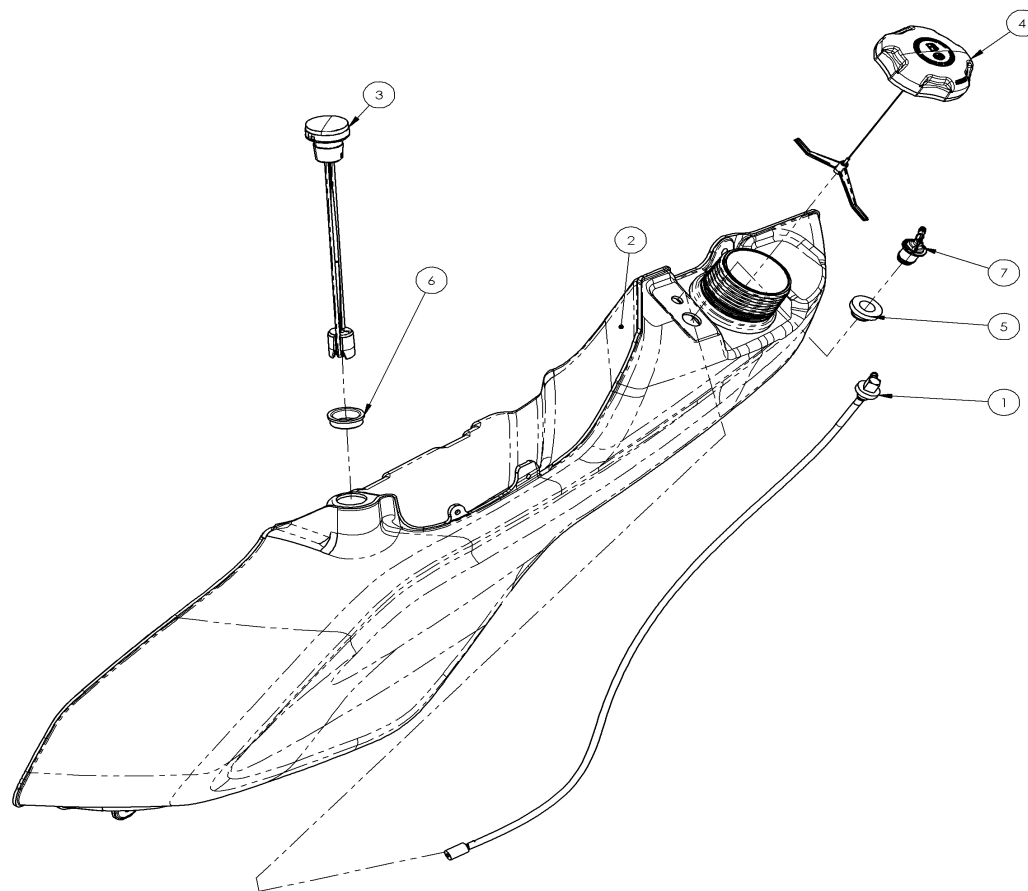
UNCONTROLLED DOCUMENT IF PRINTED

TANK, GAS, RH, W/FILL  
NECKPART NO.  
2000994

Ref#	Part#	Description	Qty
1	4000013	NECK,FILL,3.5 BUTTRESS THREADS X 5	1
2	4000116	TANK,FUEL,ROUTED,RH,05/17 (#2000994)	1

## 2000985, TANK, FUEL, LH ASM, XC/XPHD/TRX, 05/17

UNCONTROLLED DOCUMENT IF PRINTED



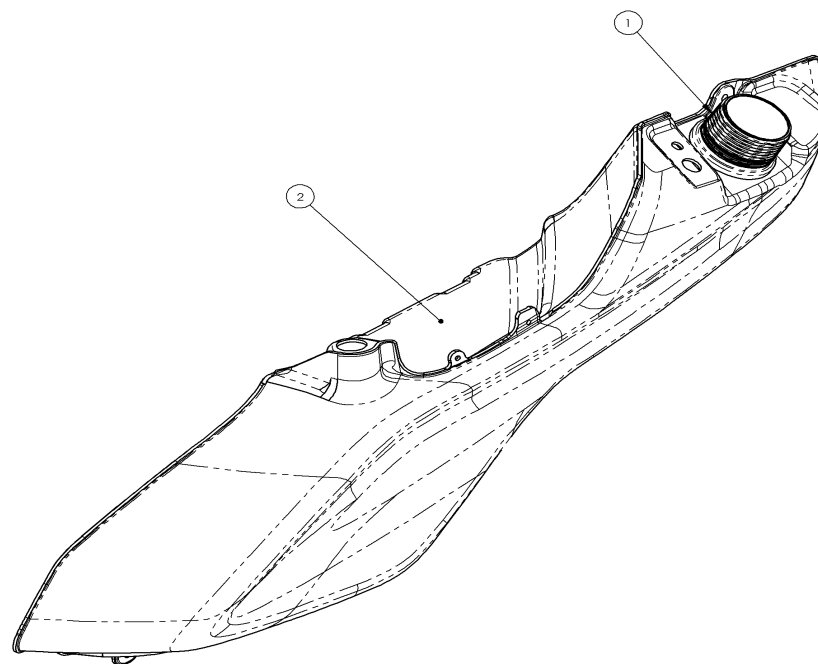
TANK,GAS,LH,ASM

PART NO.  
2000985

Ref#	Part#	Description	Qty
1	2000133	PICK-UP ASM,FUELTANK,31",XC/XP/TR/TF/SWT	1
2	2000993	TANK,FUEL,LH,W/FILL NECK (#2000985)	1
3	2900548	GAUGE,GAS,12.50",KELCH	1
4	2900782	CAP,GAS,3.5",RATCHET,W/ 9"TETHER,04/25	1
5	5000081	GROMMET	1
6	5000315	GROMMET	1
7	6500023	VENT,REMOTE,KELCH	1

## 2000993, TANK, FUEL, LH, W/FILL NECK (#2000985)

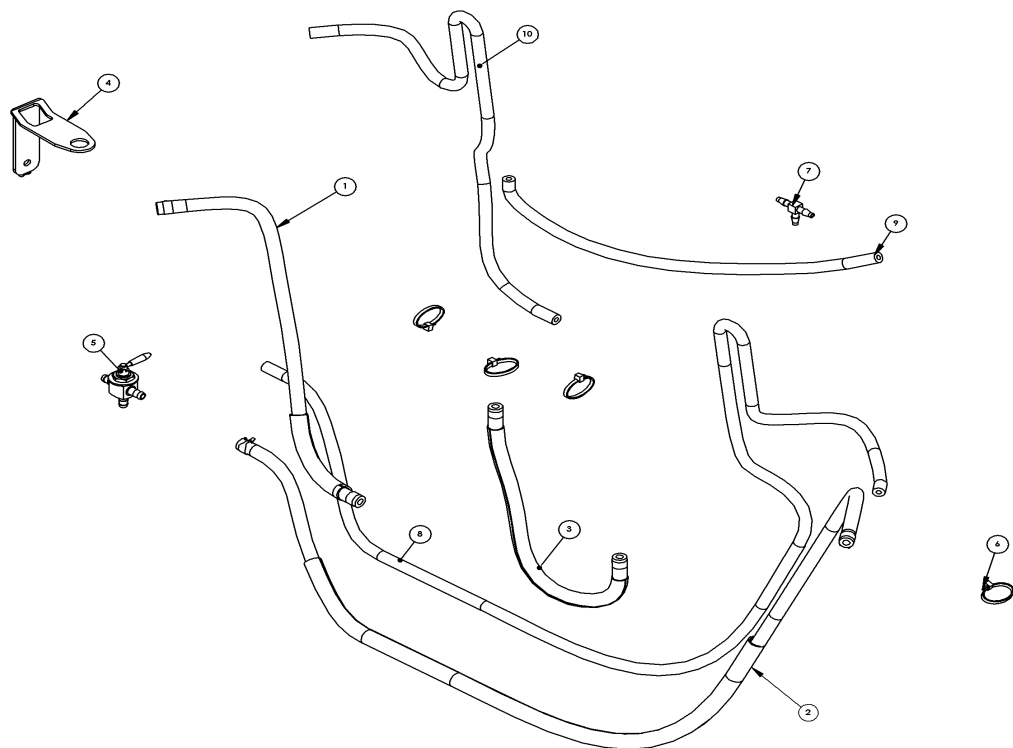
UNCONTROLLED DOCUMENT IF PRINTED

TANK, GAS, LH W/FILL  
NECKPART NO.  
2000993

Ref#	Part#	Description	Qty
1	4000013	NECK,FILL,3.5 BUTTRESS THREADS X 5	1
2	4000117	TANK,FUEL,ROUTED,LH,05/17 (#2000993)	1

## 2001484, ASM, FUEL/VAPOR HOSE, TRX766I K38.5

UNCONTROLLED DOCUMENT IF PRINTED

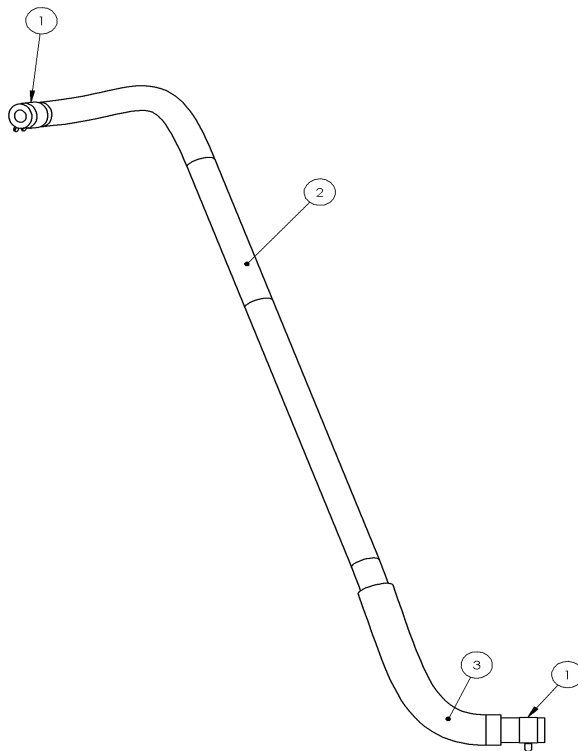


TITLE	FUEL,TRX,K38.5
PART NO.	2001484

Ref#	Part#	Description	Qty
1	2000928	ASM,HOSE,FUEL,20",CLMP,XPHD/TRX	1
2	2000933	ASM,HOSE,FUEL,42",CLMP,TRX	1
3	2001496	ASM,HOSE,FUEL,12",CLMP,TRX766 K38.5	1
4	3103901	BRKT,FUEL SHUTOFF,12GA,XPi/TRXi/TFXi	1
5	5000060	VALVE	1
6	5000062	CABLE TIE	4
7	5000085	BARBED TEE	1
8	5700079	HOSE,VAPOR,CTL,3/16"IDX63"	1
9	5700087	HOSE,VAPOR,CTL,3/16"IDX16",TRX561/766	1
10	5700090	HOSE,VAPOR,CTL,3/16"IDX37",TRX561/766	1

## 2000928, ASM,HOSE,FUEL,20",CLMP,XPHD/TRX

UNCONTROLLED DOCUMENT IF PRINTED

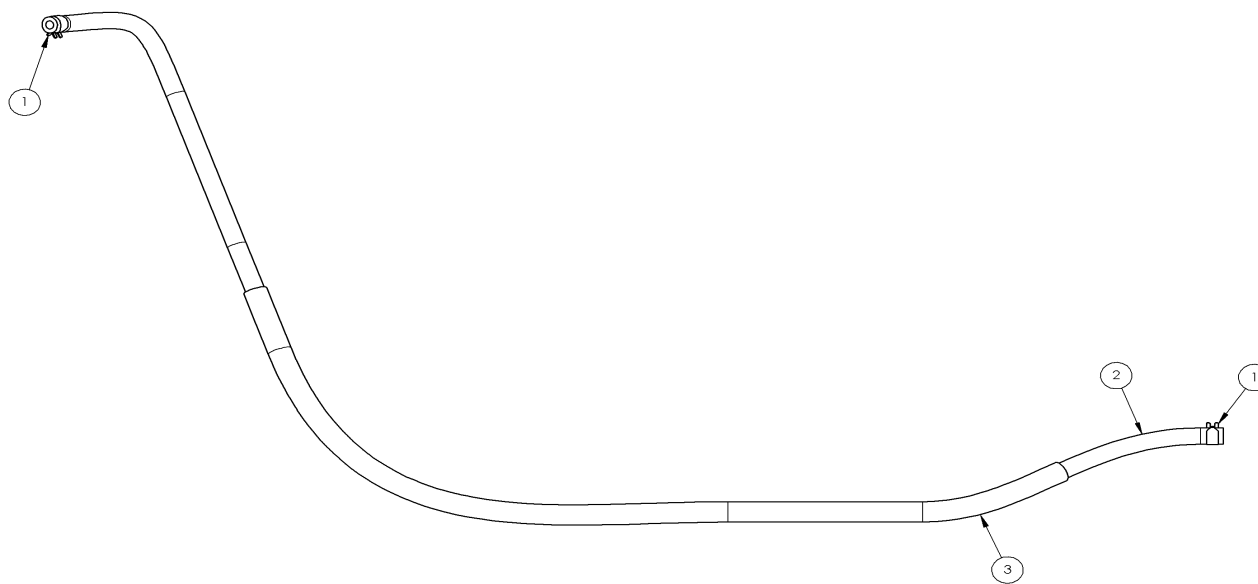


FILE	ASM,HOSE,FUEL
PART NO.	2000928

Ref#	Part#	Description	Qty
1	5000066	CLAMP	2
2	5700073	HOSE,FUEL,CTL,1/4"IDX20"	1
3	8200256	LOOM,CORR,SPLIT,.500",BLK,CTL,4.00"	1

## 2000933, ASM,HOSE,FUEL,42",CLMP,TRX

UNCONTROLLED DOCUMENT IF PRINTED

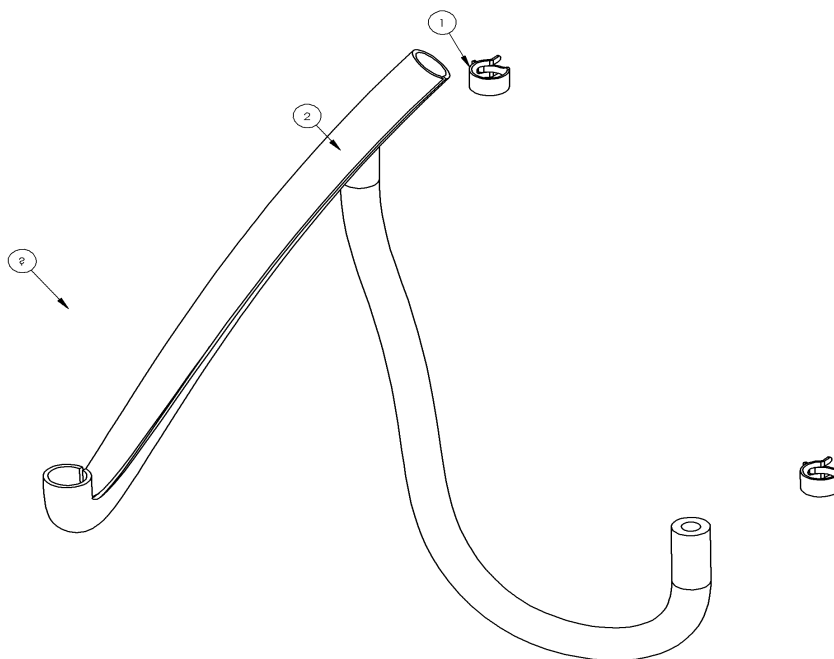


TITLE	ASM,HOSE,FUEL
PART NO.	2000933

Ref#	Part#	Description	Qty
1	5000066	CLAMP	2
2	5700078	HOSE,FUEL,CTL,1/4"IDX42"	1
3	8200255	LOOM,CORR,SPLIT,.500",BLK,CTL,25.00"	1

## 2001496, ASM,HOSE,FUEL,12",CLMP,TRX766 K38.5

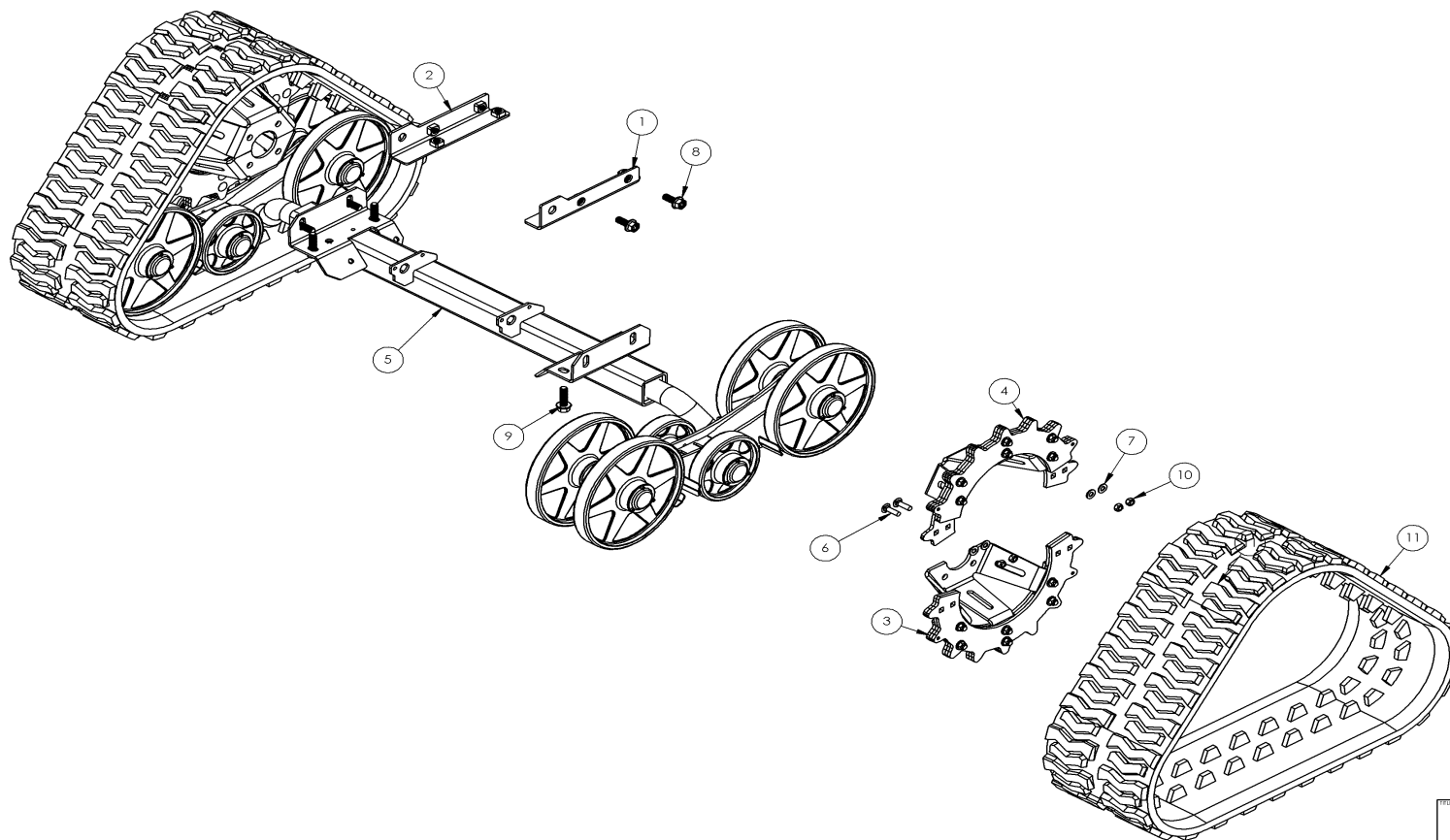
UNCONTROLLED DOCUMENT IF PRINTED

TIT  
Asm, Hose, Fuel, 12",  
CLMP, K38.5, TRX766PART NO.  
2001496

Ref#	Part#	Description	Qty
1	5000066	CLAMP	2
2	5700131	HOSE,FUEL,CTL,1/4"IDX12.00"	1
3	8200287	LOOM,CORR,SPLIT,.500",BLK,CTL,10.00"	1

## 9990888, SYS,TRACK,CTR DRV,TRX766 AT 38.5,2025-26

UNCONTROLLED DOCUMENT IF PRINTED



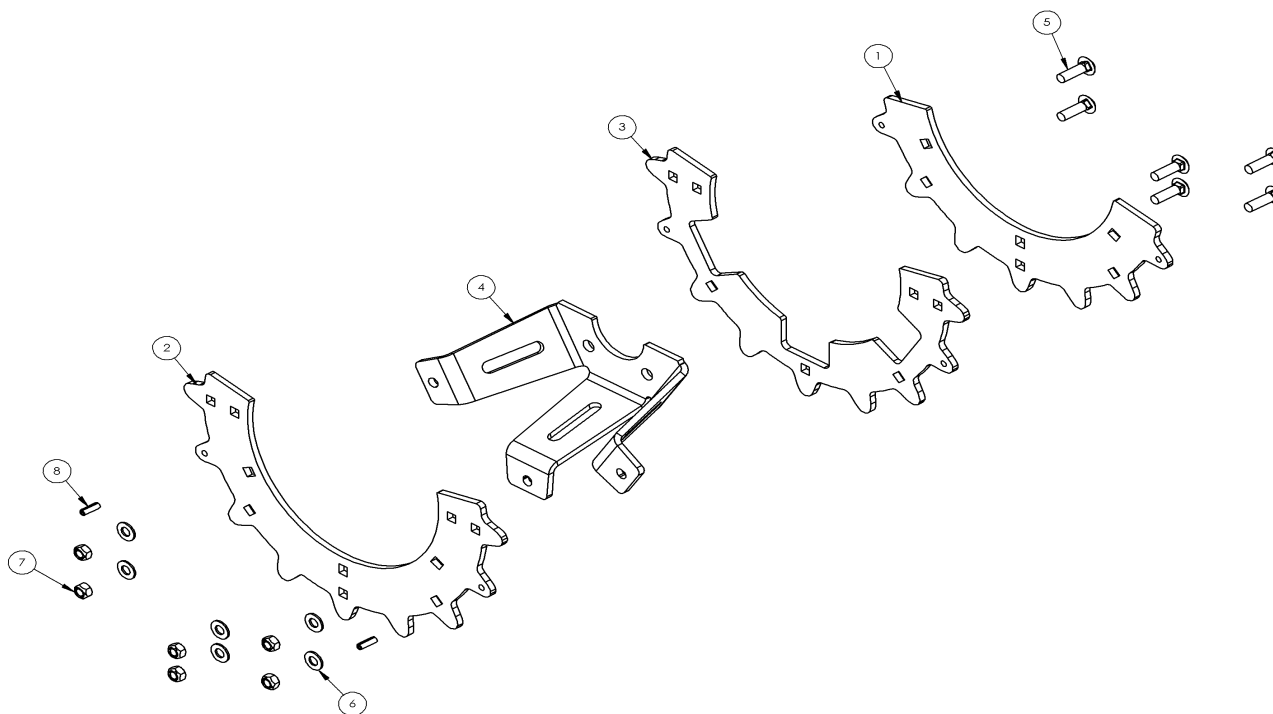
Track, System, TRX766

PART NO.  
9990888

Ref#	Part#	Description	Qty
1	1200827	WELD,TRACK MNT NUT BAR,LH,TRX766	1
2	1200828	WELD,TRACK MNT NUT BAR,RH,TRX766	1
3	2001643	ASM,HALF WHEEL,OUTER,DRV SPROCKET,TRX766	2
4	2001644	ASM,HALF WHEEL,INNER,DRV SPROCKET,TRX766	2
5	2001650	ASM,TORSION AXLE/IDLERS,TRX/TFX 766	1
6	5000147	BOLT	8
7	5000174	WASHER, PKG QTY (10)	8
8	5000243	BOLT,1/2"-13X1-1/4",PKG QTY 5	4
9	5000588	BOLT	4
10	5000634	NUT, PKG QTY 20	8
11	5500107	TRACK,255MMx72MMx29P,ZZ TREAD,TRX766	2

## 2001643, ASM, HALF WHEEL, OUTER, DRV SPROCKET, TRX766

UNCONTROLLED DOCUMENT IF PRINTED

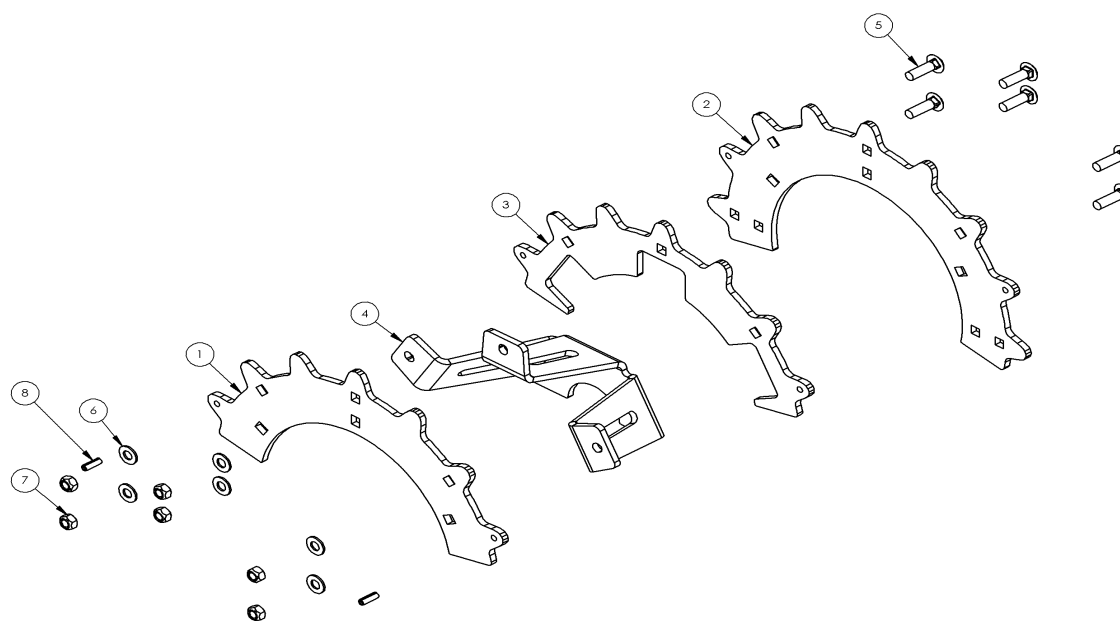


TITLE	Half Wheel, Center Drive Sprocket, Outer, TRX766
PART NO.	2001643

Ref#	Part#	Description	Qty
1	3107687	CENTER DRV SPROCKET,SMALL RING,.25",766	1
2	3107688	CENTER DRV SPROCKET,LARGE RING,.25",766	1
3	3107690	CTR DR SPROCK,LARGE CTR RING,.25";TRX766	1
4	3107691	HUB,CENTER DRV SPROCKET,16P,.25";TRX766	1
5	5000147	BOLT	6
6	5000174	WASHER, PKG QTY (10)	6
7	5000634	NUT, PKG QTY 20	6
8	5000876	SPRING PIN,COILED,.25"ODX.75"L,PL	2

## 2001644, ASM, HALF WHEEL, INNER, DRV SPROCKET, TRX766

UNCONTROLLED DOCUMENT IF PRINTED



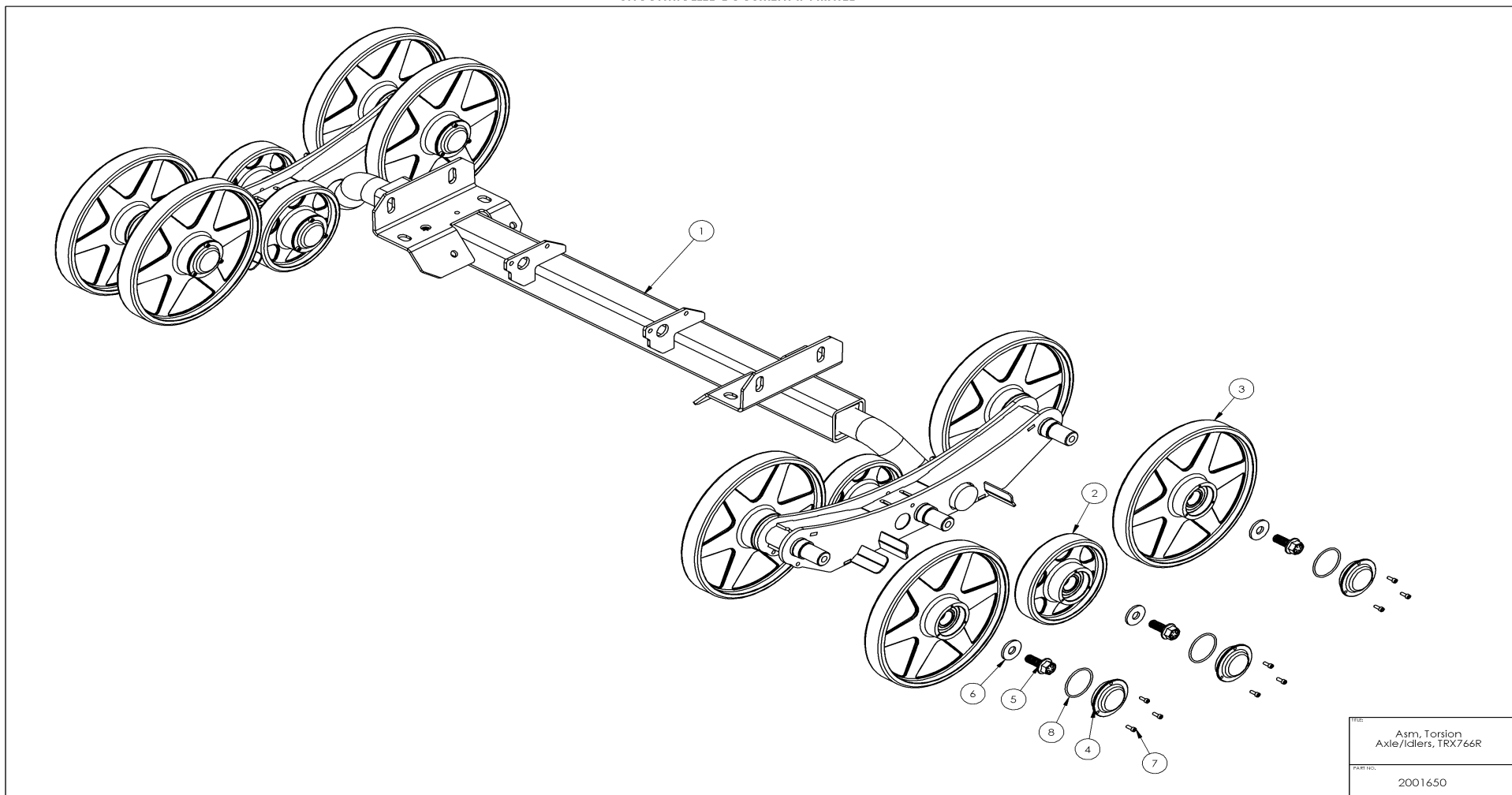
Half Wheel, Center  
Drive Sprocket, Inner,  
TRX766

PART NO.  
2001644

Ref#	Part#	Description	Qty
1	3107687	CENTER DRV SPROCKET,SMALL RING,.25",766	1
2	3107688	CENTER DRV SPROCKET,LARGE RING,.25",766	1
3	3107689	CTR DR SPROCK,SMALL CTR RING,.25";TRX766	1
4	3107691	HUB,CENTER DRV SPROCKET,16P,.25";TRX766	1
5	5000147	BOLT	6
6	5000174	WASHER, PKG QTY (10)	6
7	5000634	NUT, PKG QTY 20	6
8	5000876	SPRING PIN,COILED,.25"ODX.75"L,PL	2

### 2001650, ASM,TORSION AXLE/IDLERS,TRX/TFX 766

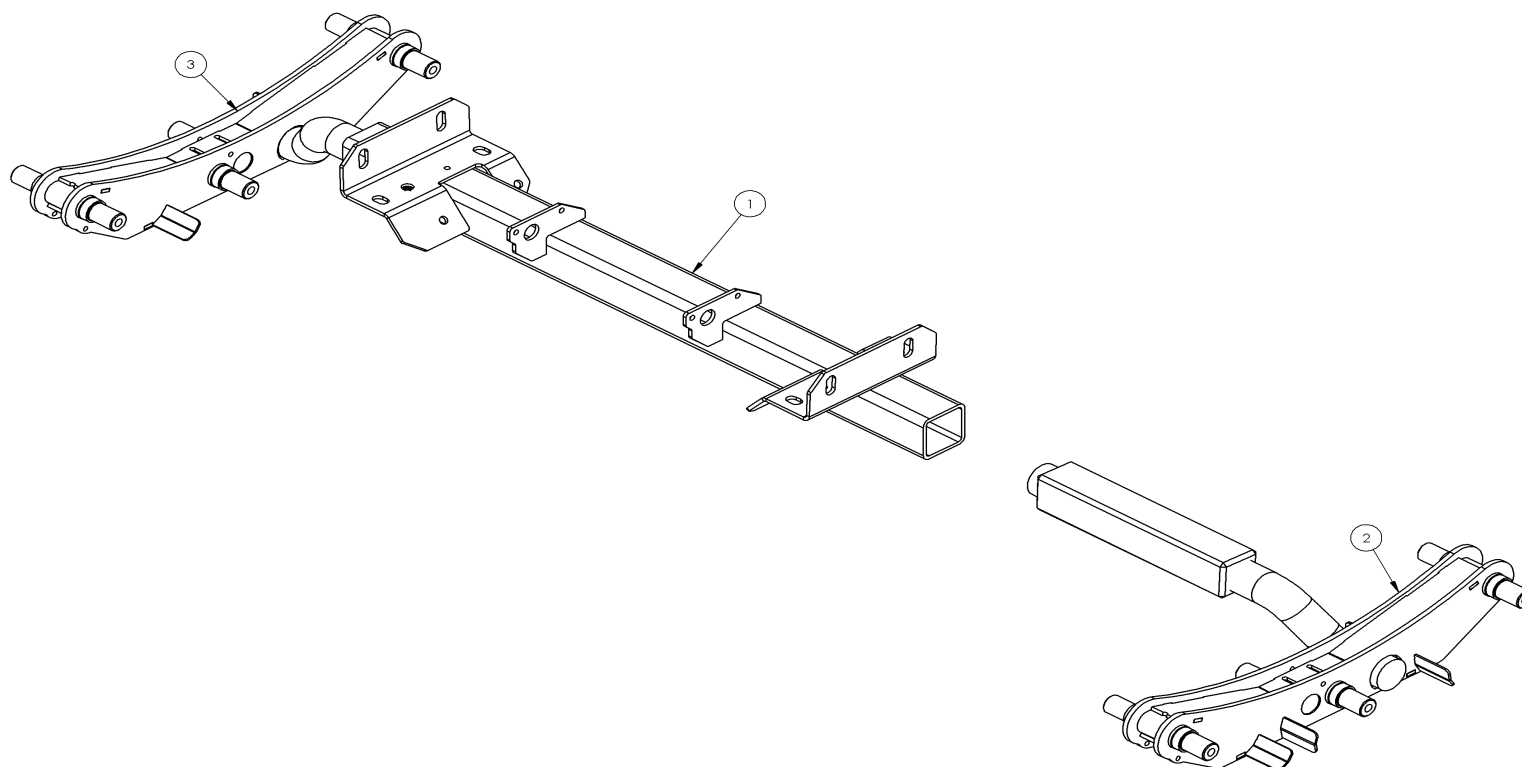
UNCONTROLLED DOCUMENT IF PRINTED



Ref#	Part#	Description	Qty
1	2001641	ASM,TORSION AXLE/TUBE,CTRG,TRX766,01/24	1
2	2001654	ASM,CAST IDLER WHEEL,OUTER,6",ANG CONT	4
3	2001655	ASM,CAST IDLER WHEEL,OUTER,10",ANG CONT	8
4	3106379	HUB CAP,TRACK WHEEL,6061 ALUM	12
5	5000243	BOLT,1/2"-13X1-1/4",PKG QTY 5	12
6	5000261	WASHER	12
7	5000567	SCREW, PKG QTY 10	36
8	5000577	O-RING,SIZE-134,BUNA-N	12

## 2001641, ASM,TORSION AXLE/TUBE,CTRG,TRX766,01/24

UNCONTROLLED DOCUMENT IF PRINTED

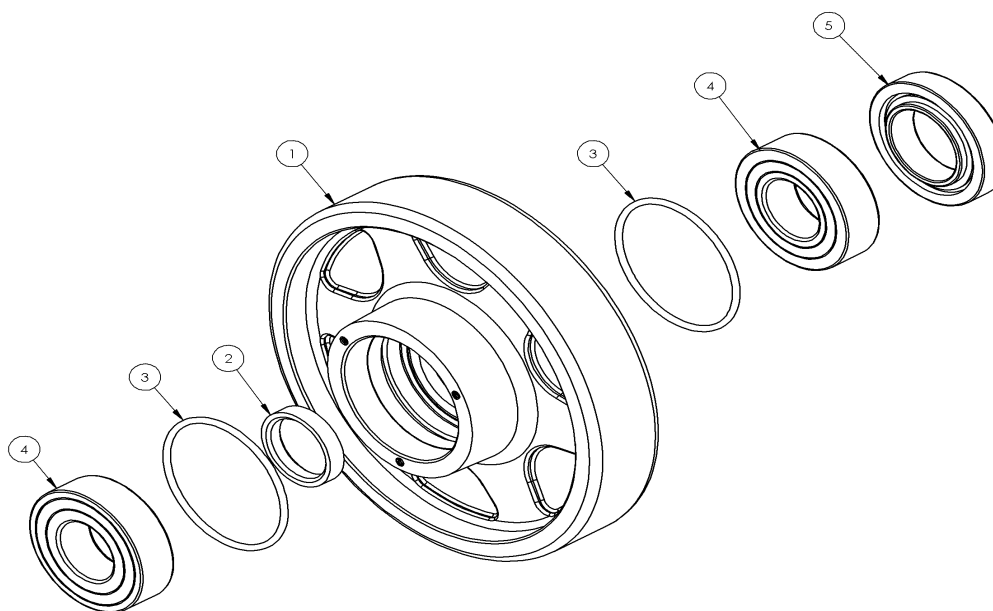


TITLE	Asm, Torsion Axle/Tube, TRX766
PART NO.	2001641

Ref#	Part#	Description	Qty
1	1201087	WELD,CROSS TUBE,TRSN AXLE,TRX766,3/22	1
2	1201316	WELD,WALKING BEAM,LH,TRX766,4/24	1
3	1201317	WELD,WALKING BEAM,RH,TRX766,4/24	1

## 2001654, ASM,CAST IDLER WHEEL,OUTER,6",ANG CONT

UNCONTROLLED DOCUMENT IF PRINTED

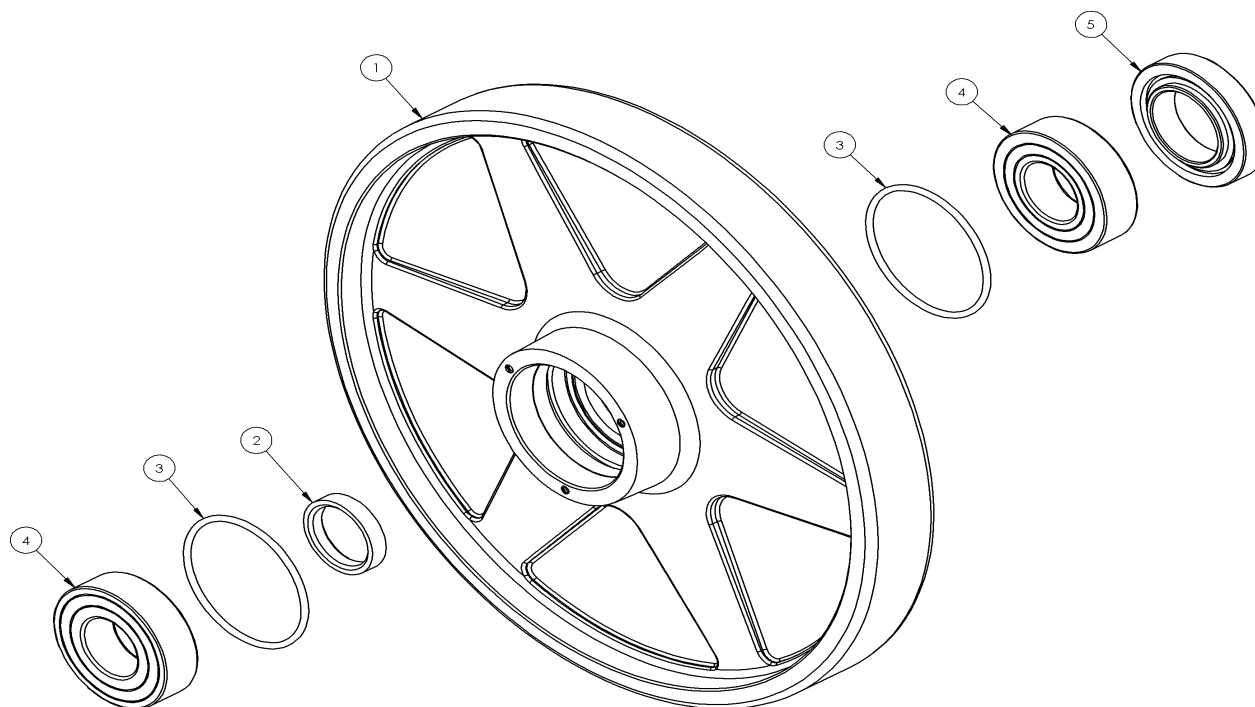


TITLE	Asm, Cast Idler Wheel, 6in
PART NO.	2001654

Ref#	Part#	Description	Qty
1	1500021	WHEEL,CAST IRON,BLK,6"OD,TRX561/766/TSX	1
2	3104112	BEARING SPACER,TRACK WHEEL,TRX,PL	1
3	5000674	O-RING,SIZE-137,BUNA-N	0
4	5000916	BEARING,ANG CONT BALL,7205-2RS,25MM ID	2
5	6000052	SEAL,CASSETTE,IDLER WHEEL,TRX/TSX	1

## 2001655, ASM,CAST IDLER WHEEL,OUTER,10",ANG CONT

UNCONTROLLED DOCUMENT IF PRINTED

Asm, Cast Idler  
Wheel, 10in

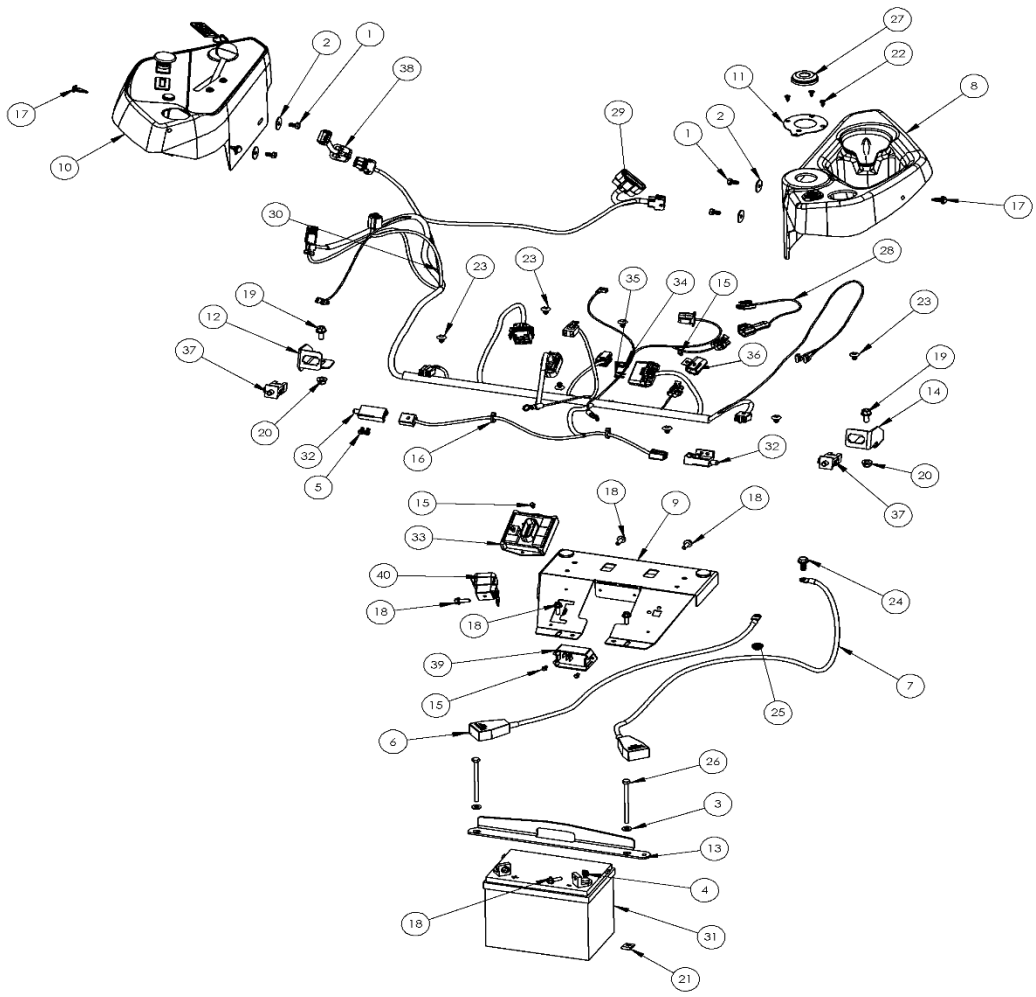
PART NO.

2001655

Ref#	Part#	Description	Qty
1	1500022	WHEEL,CAST IRON,BLK,10"OD,TRX766	1
2	3104112	BEARING SPACER,TRACK WHEEL,TRX,PL	1
3	5000674	O-RING,SIZE-137,BUNA-N	0
4	5000916	BEARING,ANG CONT BALL,7205-2RS,25MM ID	2
5	6000052	SEAL,CASSETTE,IDLER WHEEL,TRX/TSX	1

9990891, SYS,ELECTRICAL,TRX766 K38.5,2025-26

UNCONTROLLED DOCUMENT IF PRINTED



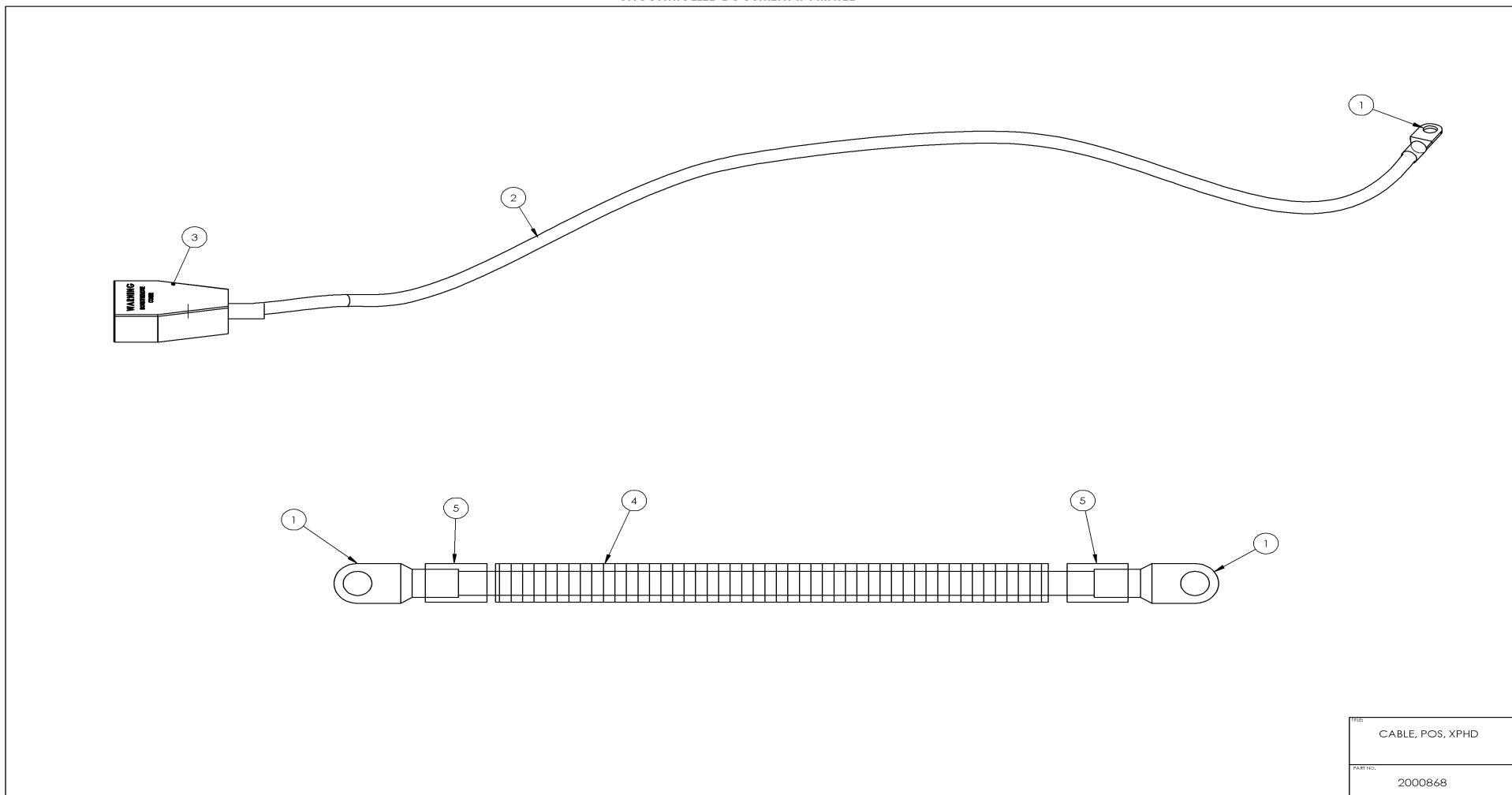
TYPE:	SYSTEM, ELECTRICAL, TRX766, K38.5
FIG. NO.:	9990891

Ref#	Part#	Description	Qty
1	5082	SCREW, PKG QTY 10	4
2	5083	WASHER	4
3	5647	WASHER	2
4	5648	NUT, PKG QTY (10)	2
5	9274	SCREW, PKG QTY 25	4
6	2000868	BATTERY CABLE, POSITIVE, 32", XPHD/TRX	1
7	2000869	BATTERY CABLE, NEGATIVE, 36", XPHD/TRX/XEHD	1
8	2001005	ASM, CONSOLE, LH, XC/XP/TRX, 06/17	1
9	2001206	ASM, ELECT CNTRL PAN, TRX766, 2020	1
10	2001657	ASM, CONSOLE, RH, EFI, TRX766	1
11	3102356	INDICATOR, DECK HEIGHT, 18GA	1
12	3103727	BRKT, BRAKE SWITCH, 12GA, XPHD/TRX	1
13	3104030	BRKT, BATTERY HOLD DOWN, 10GA, TRX610/66	1
14	3107742	BRKT, TWO SPEED SWITCH, 12GA, TRX766	1
15	5000019	SCREW	5
16	5000062	CABLE TIE	2
17	5000115	RIVET	3
18	5000126	BOLT, PKG QTY (10)	7
19	5000127	BOLT, PKG QTY (10)	2
20	5000157	NUT, PKG QTY 10	2
21	5000180	NUT, CLIP, PKG QTY (10)	3
22	5000207	SCREW	3
23	5000254	CABLE TIE	14
24	5000256	BOLT	1
25	5000296	NUT	1
26	5000408	SCREW	2
27	5000435	GROMMET	1

28	8000069	HARNES,PIGTAIL,CLUTCH,W/SLEEVE	1
29	8000135	HARNES,ADAPTER,KAWI EFI,TSXI/XPHDI/TRXI	1
30	8000158	HARNES,MAIN,TRX/XPHD,03/24 (PUR)	1
31	8200040	BATTERY	1
32	8200053	SWITCH	2
33	8200057	CONTROL	1
34	8200059	FUSE	2
35	8200060	FUSE	1
36	8200058	CONNECTOR	1
37	8200196	SWITCH,PLUNGER,DPST,NO/NO,SNAP,XE	1
38	8200348	HARNES,ADAPTER,IEC TO WESCON	1
39	8200538	MODULE,SOFTSTART,W/RPM,WARNER	1
40	8200459	RELAY,MINI,SPDT,20A/40A,12VDC,SKIRTED	0

### 2000868, BATTERY CABLE, POSITIVE, 32", XPHD/TRX

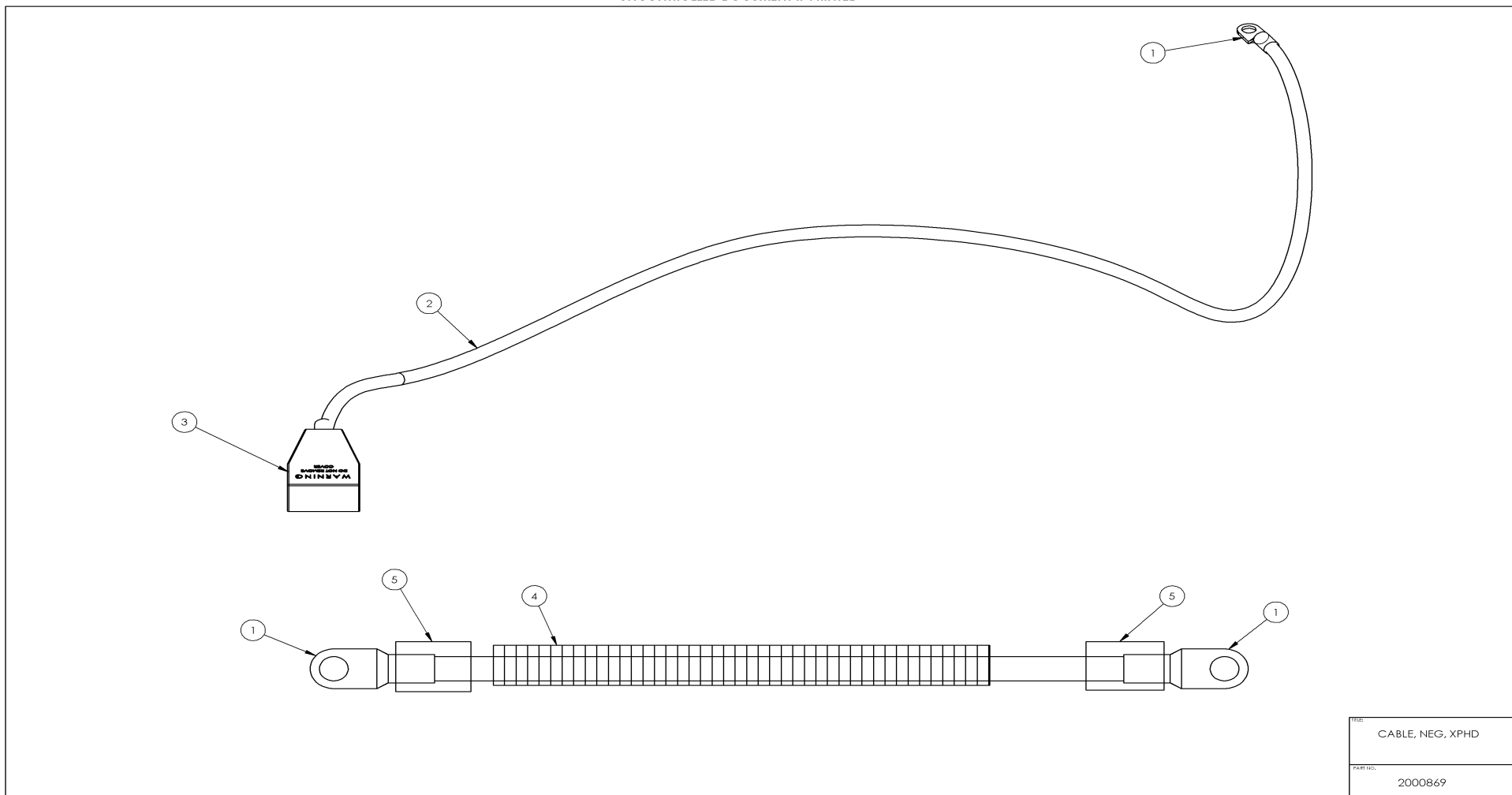
UNCONTROLLED DOCUMENT IF PRINTED



Ref#	Part#	Description	Qty
1	8200086	TERMINAL	2
2	8200096	HEATSHRINK	2
3	8200103	LOOM,CORR,SPLIT NYLON,GRY STRIPE,.350"ID	1
4	8200185	BATTERY BOOT,RED,6-4 AWG	1

### 2000869, BATTERY CABLE,NEGATIVE,36",XPHD/TRX/XEHD

UNCONTROLLED DOCUMENT IF PRINTED

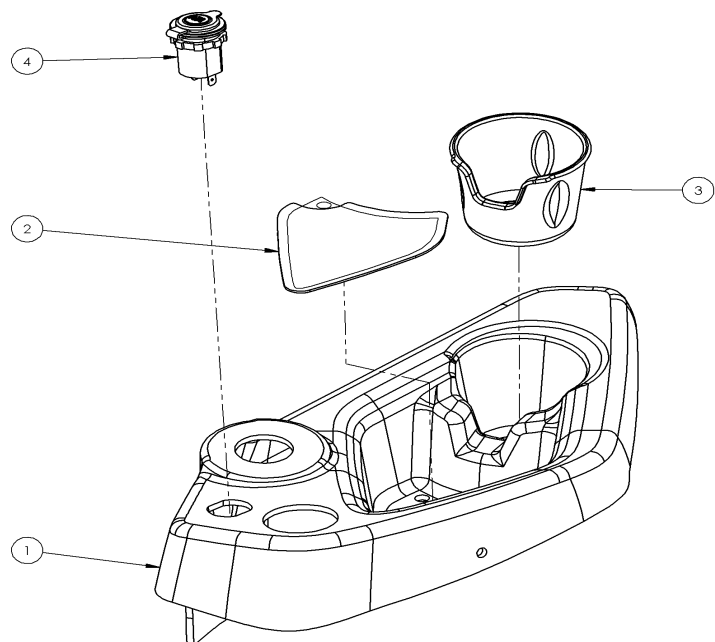


REV.	CABLE, NEG, XPHD
PART NO.	2000869

Ref#	Part#	Description	Qty
1	8200086	TERMINAL	2
2	8200096	HEATSHRINK	2
3	8200103	LOOM,CORR,SPLIT NYLON,GRY STRIPE,.350"ID	1
4	8200184	BATTERY BOOT,BLACK,6-4 AWG	1

## 2001005, ASM, CONSOLE, LH, XC/XP/TRX, 06/17

UNCONTROLLED DOCUMENT IF PRINTED

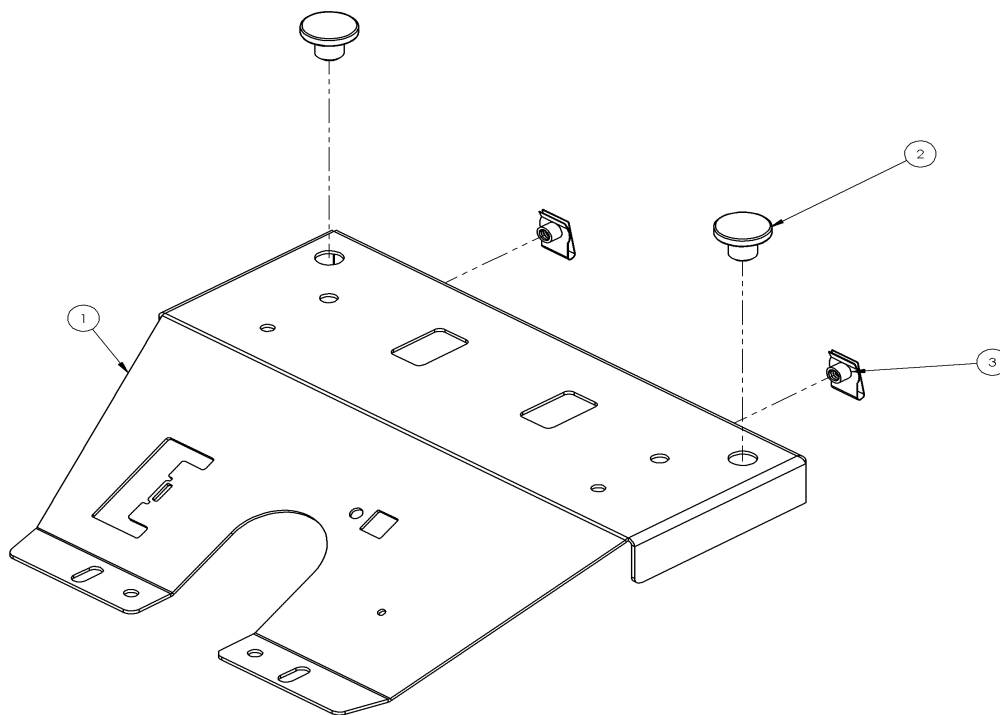


TITLE	ASM, CONSOLE, LH
PART NO.	2001005

Ref#	Part#	Description	Qty
1	4000125	CONSOLE,UTILITY,LH,RTD,SILV	1
2	5500005	PAD	1
3	5500006	LINER	1
4	8200062	SOCKET	1

2001206, ASM,ELECT CNTRL PAN,TRX766,2020

UNCONTROLLED DOCUMENT IF PRINTED



TITLE	Asm. Elect. Control Pan. TRX 766, 10/19
PART NO.	2001206

Ref#	Part#	Description	Qty
1	3105448	FRAME,SEAT ELECT.PAN,14GA,TRX766	1
2	4000050	STOP	2
3	5000180	NUT, CLIP, PKG QTY (10)	2

## 2001657, ASM, CONSOLE, RH, EFI, TRX766

UNCONTROLLED DOCUMENT IF PRINTED

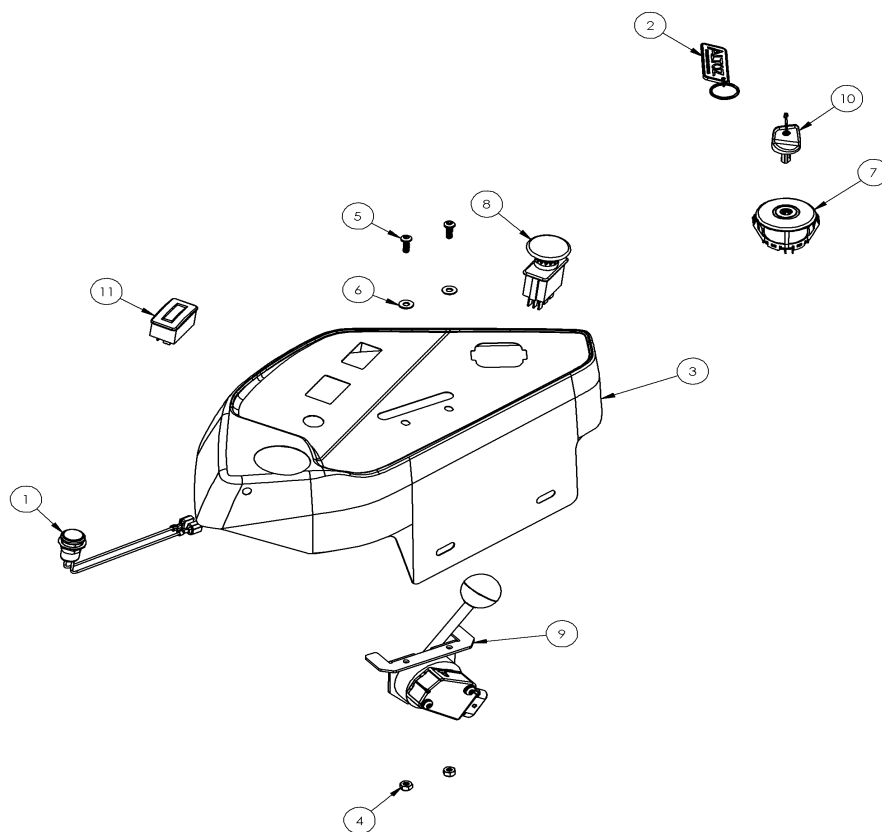
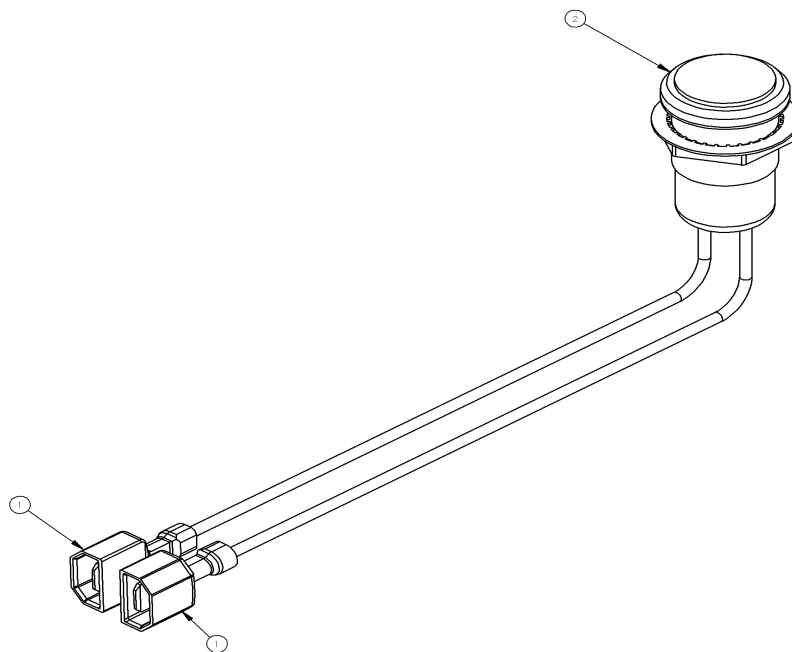


FIG.	Asm, Console, RH, TRX766
PART NO.	2001657

Ref#	Part#	Description	Qty
1	2000925	ASM,LED LIGHT,RED,12VDC,W/NUT,XP/TRX	1
2	2900340	KEY FOB	1
3	4000191	CONSOLE,INSTRUMENT,RH,RTD,EFI,SILV	1
4	5000179	NUT#10-24, NYLOC, PKG QTY (10)	2
5	5000208	SCREW, PKG QTY 10	2
6	5000756	WASHER,#10,.22"IDX.5"ODX.049",HARD,ZY	2
7	8200052	SWITCH	1
8	8200056	SWITCH	1
9	8200377	THROTTLE,ELEC,LEVER OPERATED,0-5VDC,9/21	1
10	8200488	KEY,IGNITION,PLASTIC PLATED,UMB	1
11	8200511	HOUR METER/TACHOMETER,MINI,LCD,GDI	1

## 2000925, ASM,LED LIGHT,RED,12VDC,W/NUT,XP/TRX

UNCONTROLLED DOCUMENT IF PRINTED

ASM, LED, 12VDC,  
RED, 5/8" D, W/NUT

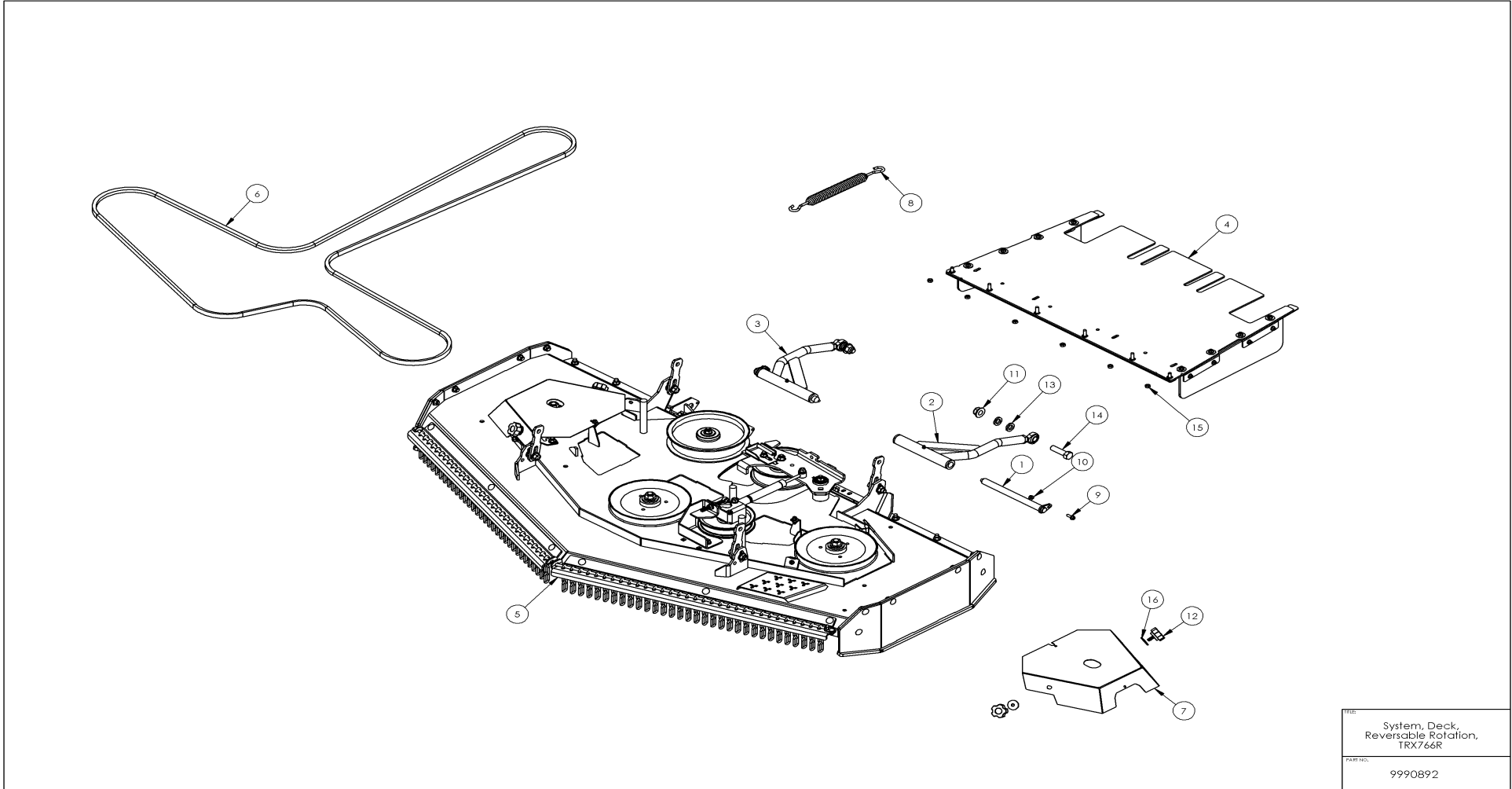
PART NO.

2000925

Ref#	Part#	Description	Qty
1	8200281	CONNECTOR	2
2	8200286	LIGHT,LED,RED,12VDC,11/16"D,W/NUT,6"LEAD	1

9990892, SYS,AT DECK,REVRSBL ROTAT,TRX766,2025-26

UNCONTROLLED DOCUMENT IF PRINTED



TITLE	System, Deck, Reversible Rotation, TRX766R
PART NO.	9990892

Ref#	Part#	Description	Qty
1	1200678	WELD,DECK STABZ PIN,REAR,ZY,TRX/XPHD	2
2	2001036	ASM,DECK STABLZR ARM,LH,RND,TRX610/660	1
3	2001037	ASM,DECK STABLZR ARM,RH,RND,TRX610/660	1
4	2001447	ASM,DECK DEBRIS SHIELD,TRX766 AT	1
5	2001667	ASM,AT DECK,REVERSABLE ROTATION,TRX766	1
6	2900337	VBELT	1
7	3103946	DECK COVER,PULLEY,16GA,XPHD/TRX/561A/660	2
8	5000077	SPRING	1
9	5000126	BOLT, PKG QTY (10)	2
10	5000156	NUT, PKG QTY 20	2
11	5000163	NUT, PKG QTY (10)	2
12	5000183	KNOB	4
13	5000293	WASHER	4
14	5000548	SCREW	2
15	5000628	NUT, PKG QTY (10)	6
16	5000965	WASHER,5/16"X1.125"OD,18-8,SS,NEOPRENE	4

2001036, ASM,DECK STABLZR ARM,LH,RND,TRX610/660

UNCONTROLLED DOCUMENT IF PRINTED

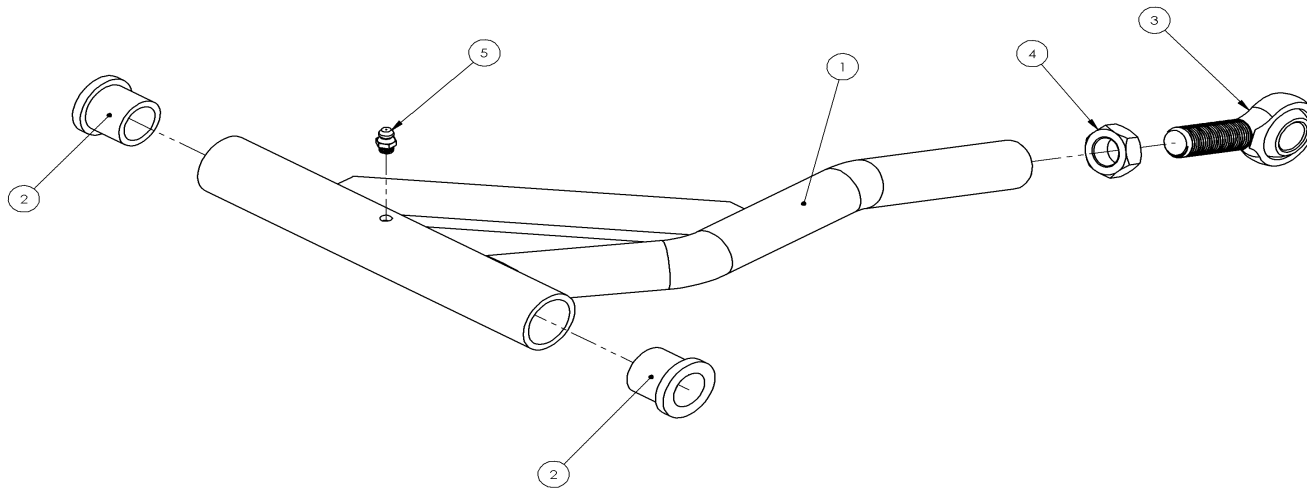
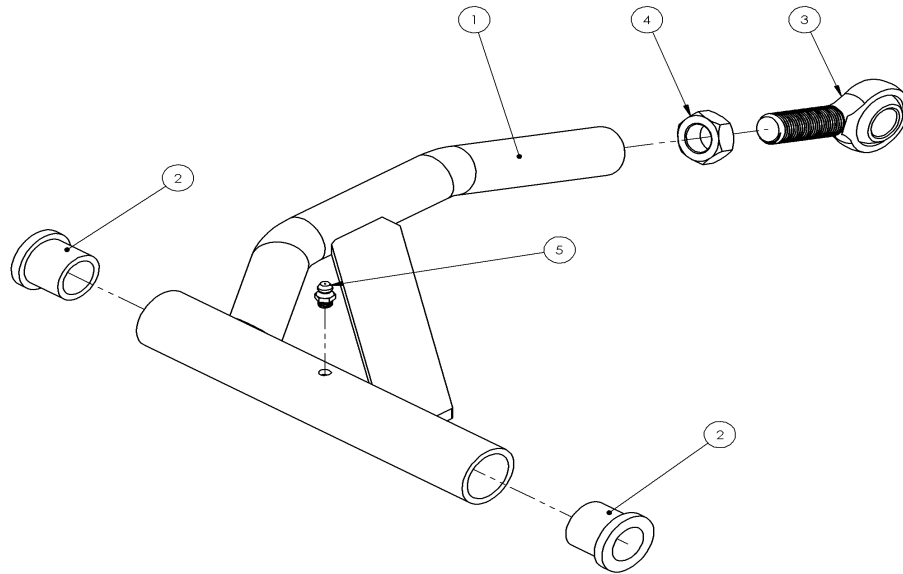


FIG.	ASM,ROUND STABILIZER ARM,LH, TRX
PART NO.	2001036

Ref#	Part#	Description	Qty
1	1200743	WELD,DECK STABILIZER ARM,LH,ROUND,TRX	1
2	5000093	BUSHING	2
3	5000570	ROD END,MALE,SPHER,5/8"-18 RH,5/8"ID,ZC	1
4	5000573	NUT, PKG QTY (10)	1
5	5000787	GREASE FITTING,STRAIGHT,1/4-28	1

2001037, ASM,DECK STABLZR ARM,RH,RND,TRX610/660

UNCONTROLLED DOCUMENT IF PRINTED

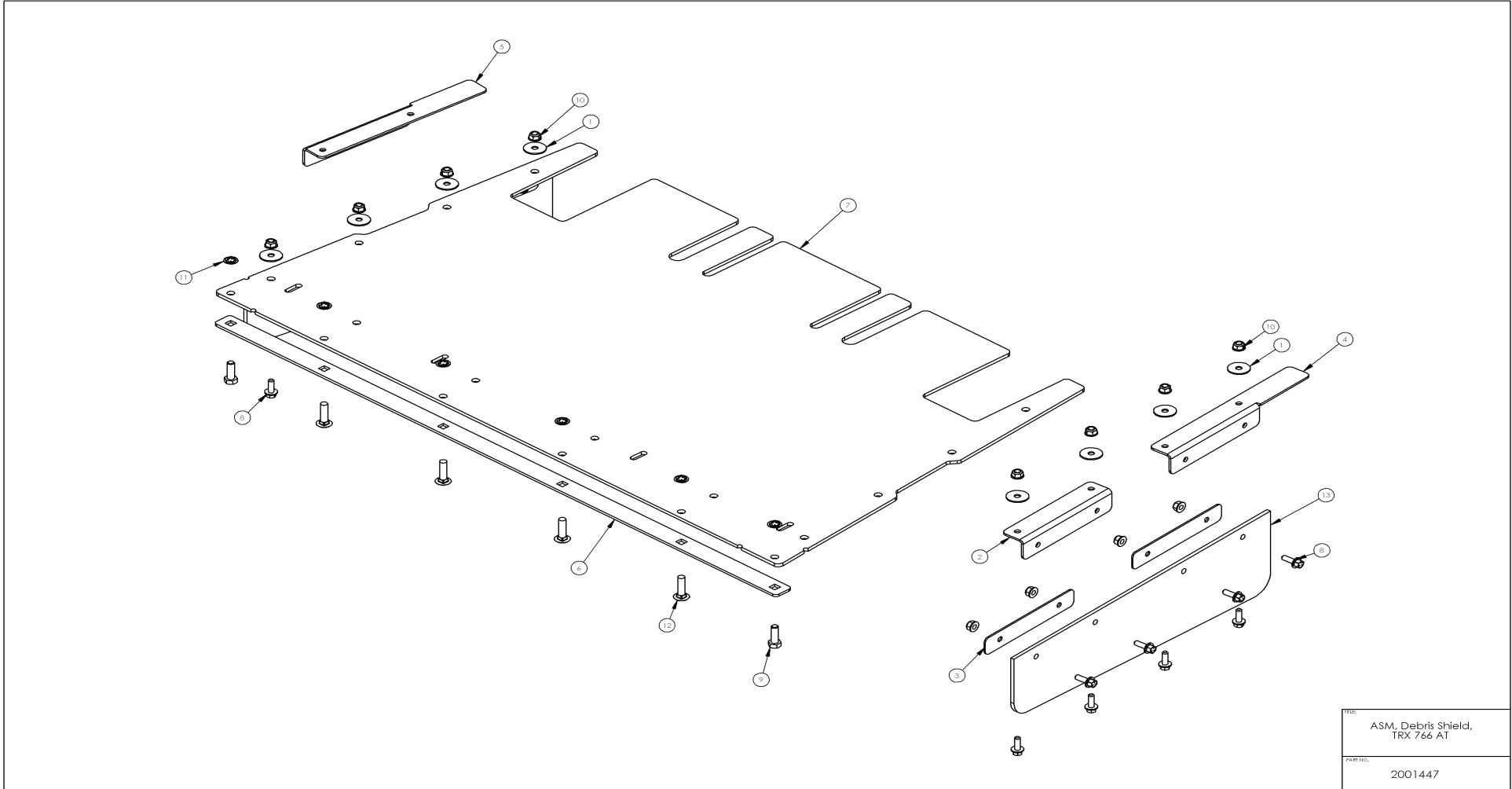


TITLE	ASM,ROUND STABILIZER ARM,RH, TRX
PART NO.	2001037

Ref#	Part#	Description	Qty
1	1200752	WELD,DECK STABILIZER ARM,RH,ROUND,TRX	1
2	5000093	BUSHING	2
3	5000570	ROD END,MALE,SPHER,5/8"-18 RH,5/8"ID,ZC	1
4	5000573	NUT, PKG QTY (10)	1
5	5000787	GREASE FITTING,STRAIGHT,1/4-28	1

2001447, ASM,DECK DEBRIS SHIELD,TRX766 AT

UNCONTROLLED DOCUMENT IF PRINTED



Ref#	Part#	Description	Qty
1	5083	WASHER	8
2	3106630	MNT,TRACK GUARD,FRONT,12GA,TRX766 AT	2
3	3106631	STRAP,TRACK GUARD,DEBRIS,14GA,TRX766 AT	4
4	3106647	BRKT,DEBRIS SHIELD,LH REAR,12GA,TRX766AT	1
5	3106648	BRKT,DEBRIS SHIELD,RH REAR,12GA,TRX766AT	1
6	3106686	PLATE,DEBRIS SHIELD,SQ,34.625,10GA,766AT	1
7	4000161	DEBRIS SHIELD,DECK,TRX AT,20.75X34,HDPE	1
8	5000126	BOLT, PKG QTY (10)	16
9	5000134	SCREW	2
10	5000156	NUT, PKG QTY 20	16
11	5000428	NUT	6
12	5000559	BOLT	4
13	5500077	TRACK GUARD,3PLY RUBBER,BLK,TRX766 AT	2

2001667, ASM,AT DECK,REVERSABLE ROTATION,TRX766

UNCONTROLLED DOCUMENT IF PRINTED

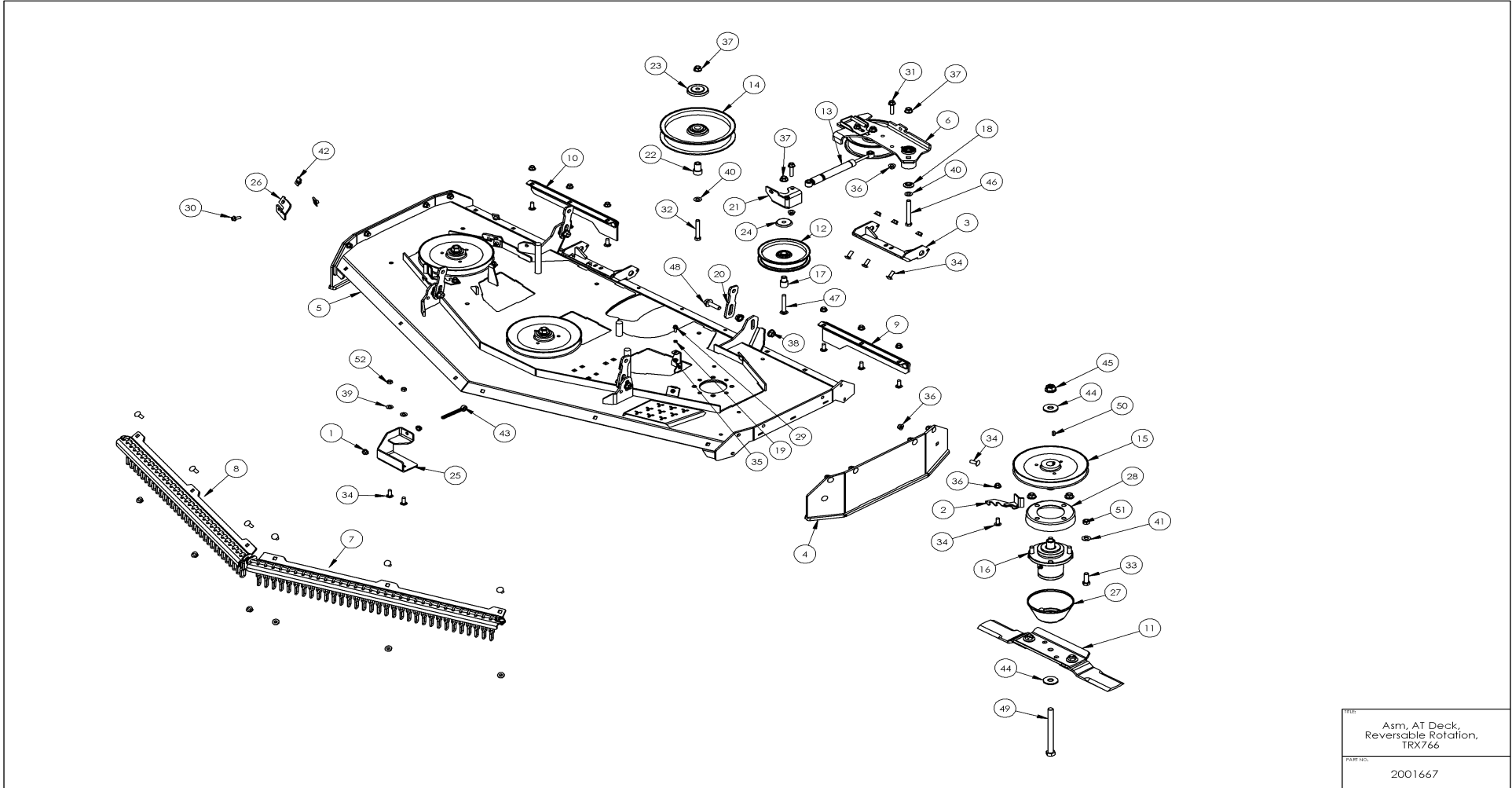


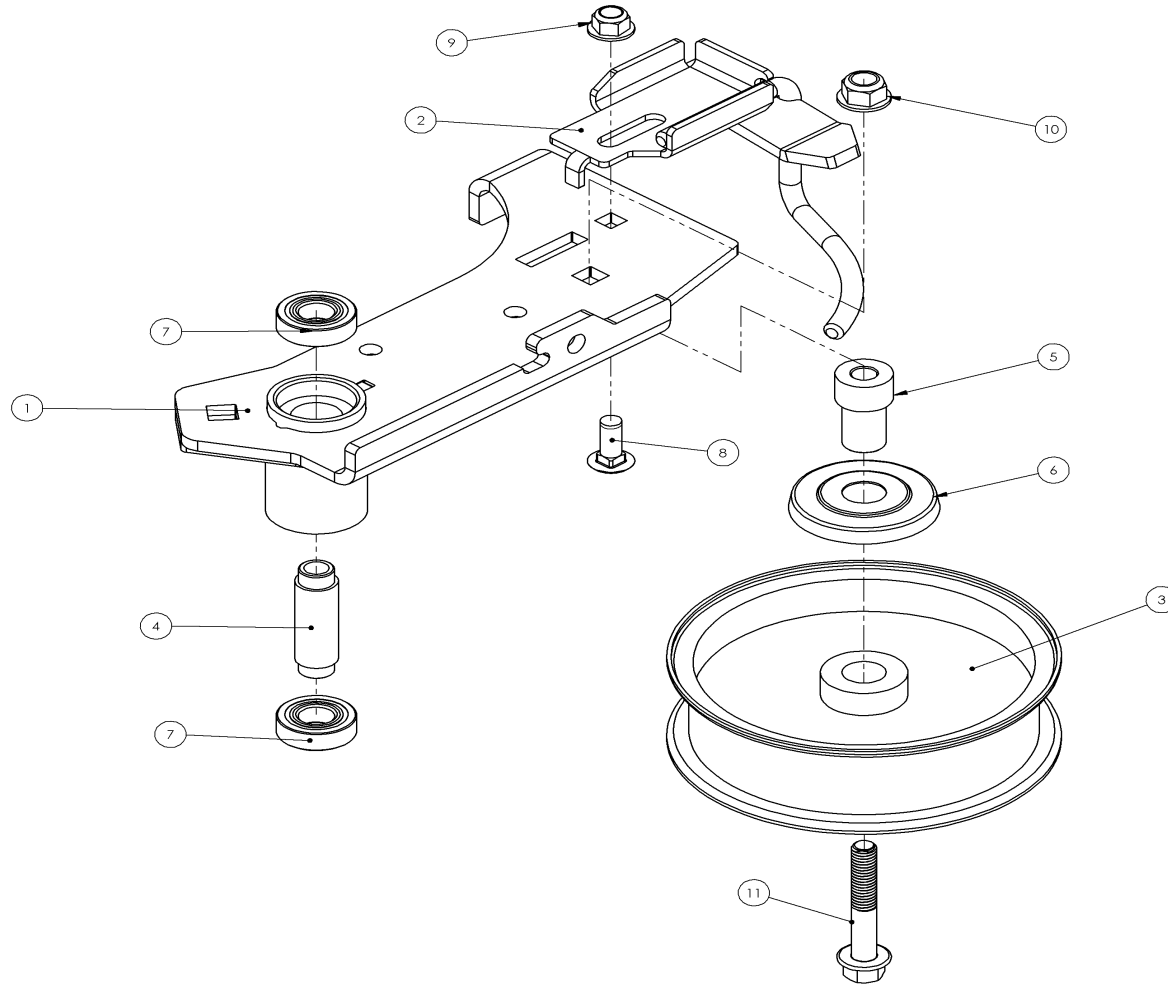
FIG.	Asm. AT Deck, Reversible Rotation, TRX766
PART NO.	2001667

Ref#	Part#	Description	Qty
1	7787	NUT, PKG QTY 10	2
2	1200675	WELD,BELT GUIDE,UNIVERSAL,XPHD/TRX/TFX	2
3	1201029	WELD,DECK STABILIZER BRKT,TRX/TFX766 AT	2
4	1201074	WELD,DECK TRIM EDGE,RH/LH,TRX766 AT	2
5	1201305	WELD,DECK SHELL,RVRSBL RTN,TRX/TFX766 AT	1
6	2001178	ASM,DECK TENSIONER,XCZ/XPHD/TRX	1
7	2001357	ASM,FRONT CHAIN GUARD,LH,TRX766 AT	1
8	2001358	ASM,FRONT CHAIN GUARD,RH,TRX766 AT	1
9	2001443	ASM,REAR GUARD,RBR,LH,TRX561 AT	1
10	2001444	ASM,REAR GUARD,RBR,RH,TRX561 AT	1
11	2001621	ASM,BLADE HUB,DUAL EDGE,TRX/FX/66"/44"AT	3
12	2900287	PULLEY	1
13	2900470	DAMPER,SROID,200N,88MM STROKE	1
14	2900622	PULLEY,FLAT IDLER,9"ODX0.76"ID,DBL BB	1
15	2900628	SPINDLE PULLEY,W/HUB,9.04"OD,BLK,TRX AT	3
16	2900746	SPINDLE ASM,CLAMP STYLE,W/GREASE,AT DECK	3
17	3100498	SPACER SLEEVE	1
18	3100502	LOWER SPACER	1
19	3100700	SPACER WASHER,DECK COVER,12GA	2
20	3104316	LIFT LINK,DECK,.25",TRX	4
21	3105195	MNT BRKT,TENSIONER DAMPER,UNIV,7GA,TRX	1
22	3105299	SPACER SLEEVE,DECK PULLEY,1"ODX1.735",ZY	1
23	3105921	DUST CAP,IDL PULLEY,DBL BRG,20GA,.453"ID	1
24	3105923	DUST CAP,IDL PULLEY,SGL BRG,20GA,.453"ID	1
25	3107747	BRKT,SPRING MNT,W/DAMPER,7GA,TRX/FX766	1
26	3107748	BRKT,CLIP NUT,DECK COVER,7GA,TRX766	2
27	3108911	SPINDLE GUARD,CUP,STAMPED,ZY,AT DECK	3

28	3108912	SPINDLE GUARD,TOP CAP,STAMPED,ZY,AT DECK	3
29	5000126	BOLT, PKG QTY (10)	2
30	5000127	BOLT, PKG QTY (10)	2
31	5000131	BOLT, PKG QTY 10	2
32	5000139	SCREW	1
33	5000142	SCREW	12
34	5000154	BOLT, PKG QTY 10	34
35	5000156	NUT, PKG QTY 20	2
36	5000159	NUT, PKG QTY 20	34
37	5000161	NUT, PKG QTY 10	3
38	5000164	NUT, PKG QTY 10	8
39	5000174	WASHER, PKG QTY (10)	2
40	5000175	WASHER, PKG QTY (10)	2
41	5000176	WASHER, PKG QTY (10)	12
42	5000181	NUT, PKG QTY 10	6
43	5000230	ROD END	1
44	5000262	WASHER	6
45	5000337	NUT, PKG QTY 10	3
46	5000360	SCREW	1
47	5000447	BOLT,CARRIAGE,7/16-14X3",PRT THR,GR5,ZY	1
48	5000476	BOLT	4
49	5000560	SCREW	3
50	5000565	KEY,SQUARE,.25"X.625"L,ZC	3
51	5000584	NUT, PKG QTY 10	12
52	5000634	NUT, PKG QTY 20	2

2001178, ASM, DECK TENSIONER, XCZ/XPHD/TRX

UNCONTROLLED DOCUMENT IF PRINTED



TITLE	TENSIONER ASSEM, Deck, TRX 766
PART NO.	2001178

Ref#	Part#	Description	Qty
1	1200067	WELD,DECK TENSIONER,XC/XPHD/TRX	1
2	1200452	WELD,TENSIONER ROD GUIDE,XC/XPHD/TRX	1
3	2900621	PULLEY,FLAT IDLER,6.75"ODX0.76"ID,DBL BB	1
4	3100501	SLEEVE	1
5	3105299	SPACER SLEEVE,DECK PULLEY,1"ODX1.735",ZY	1
6	3105922	DUST CAP,IDL PULLEY,DBL BRG,20GA,.766"ID	1
7	5000082	BEARING	2
8	5000146	BOLT, PKG QTY 10	1
9	5000159	NUT, PKG QTY 20	1
10	5000161	NUT, PKG QTY 10	1
11	5000688	BOLT,7/16"-14X2-3/4",FLANGED HH,GR8,ZY	1

2001357, ASM, FRONT CHAIN GUARD, LH, TRX766 AT

UNCONTROLLED DOCUMENT IF PRINTED

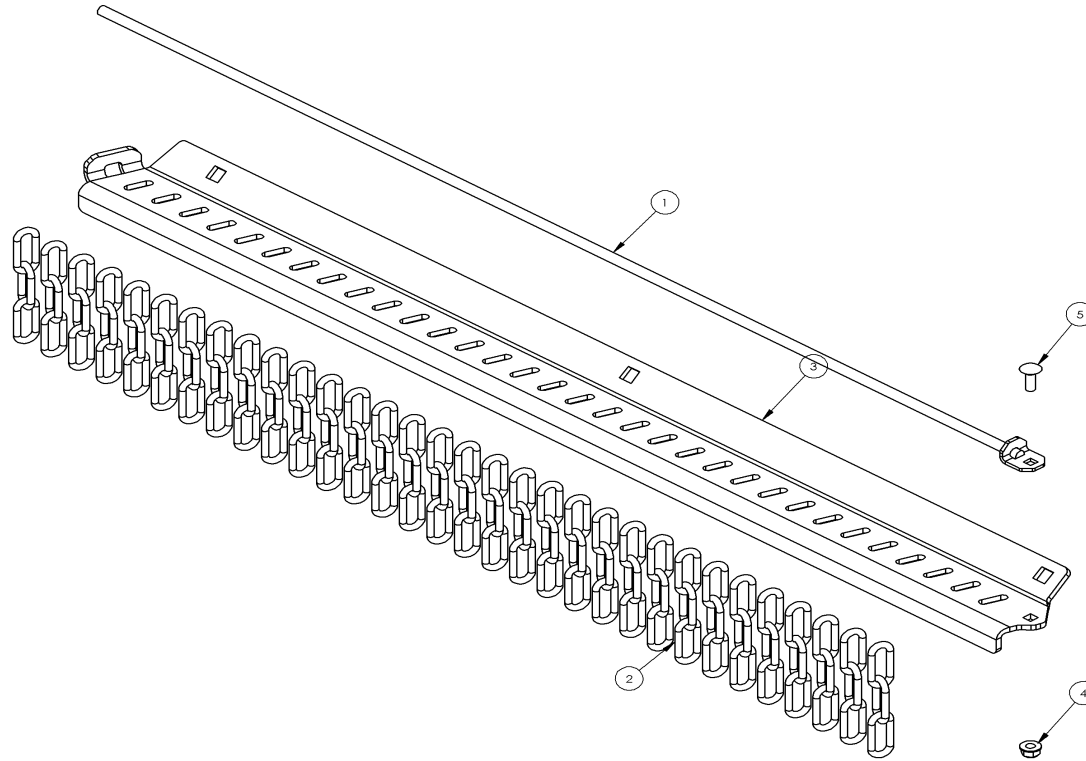
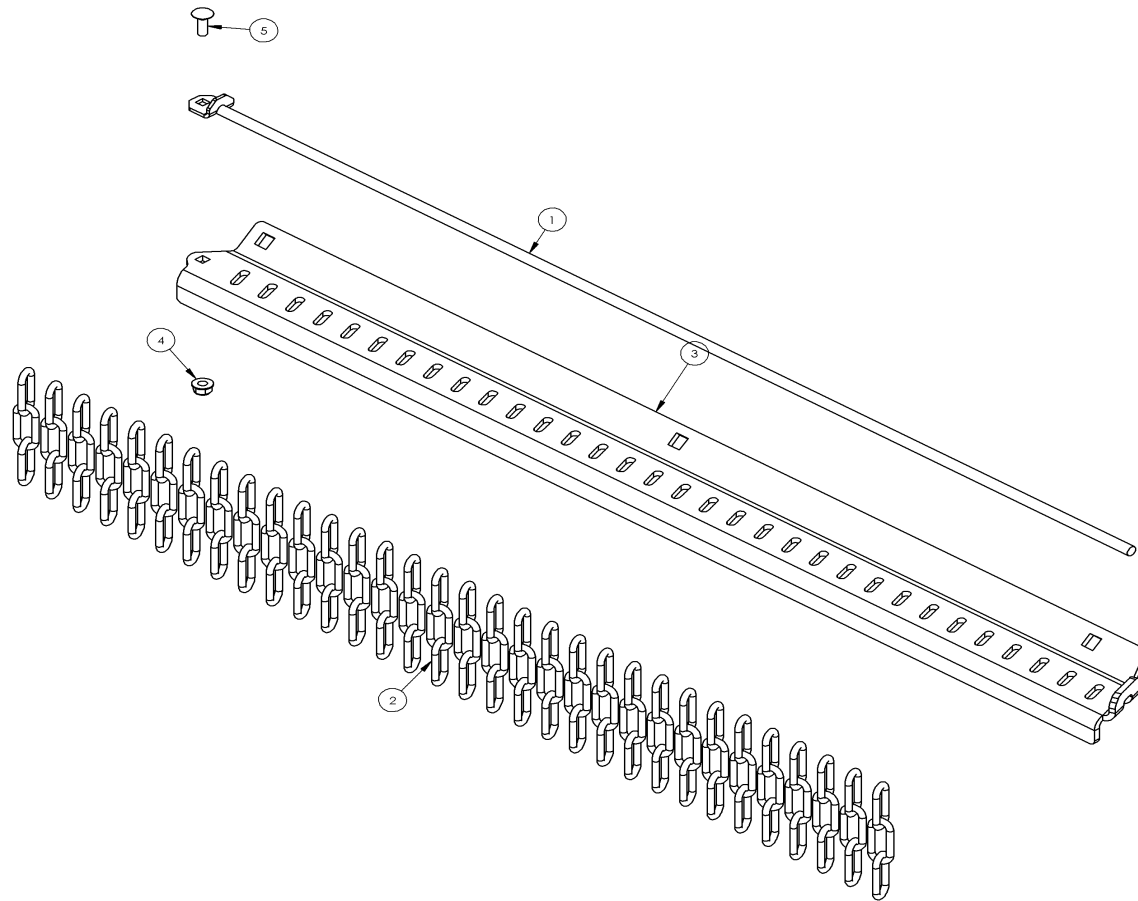


FIG.	Asm, Front Chain Guard, LH, TRX766 AT
PART NO.	2001357

Ref#	Part#	Description	Qty
1	1200668	WELD,CHAIN KEEPER,TRX660/766 AT	1
2	3104124	CHAIN,3 LINK,STRAIGHT,2/0 ELECTRO GALV	32
3	3106397	MNT,CHAIN GUARD,LH,7GA,TRX766 AT	1
4	5000156	NUT, PKG QTY 20	1
5	5000492	BOLT	1

2001358, ASM, FRONT CHAIN GUARD, RH, TRX766 AT

UNCONTROLLED DOCUMENT IF PRINTED



TITLE	Asm, Front Chain Guard, RH, TRX766 AT
PART NO.	2001358

Ref#	Part#	Description	Qty
1	1200668	WELD,CHAIN KEEPER,TRX660/766 AT	1
2	3104124	CHAIN,3 LINK,STRAIGHT,2/0 ELECTRO GALV	32
3	3106398	MNT,CHAIN GUARD,RH,7GA,TRX766 AT	1
4	5000156	NUT, PKG QTY 20	1
5	5000492	BOLT	1

2001443, ASM, REAR GUARD, RBR, LH, TRX561 AT

UNCONTROLLED DOCUMENT IF PRINTED

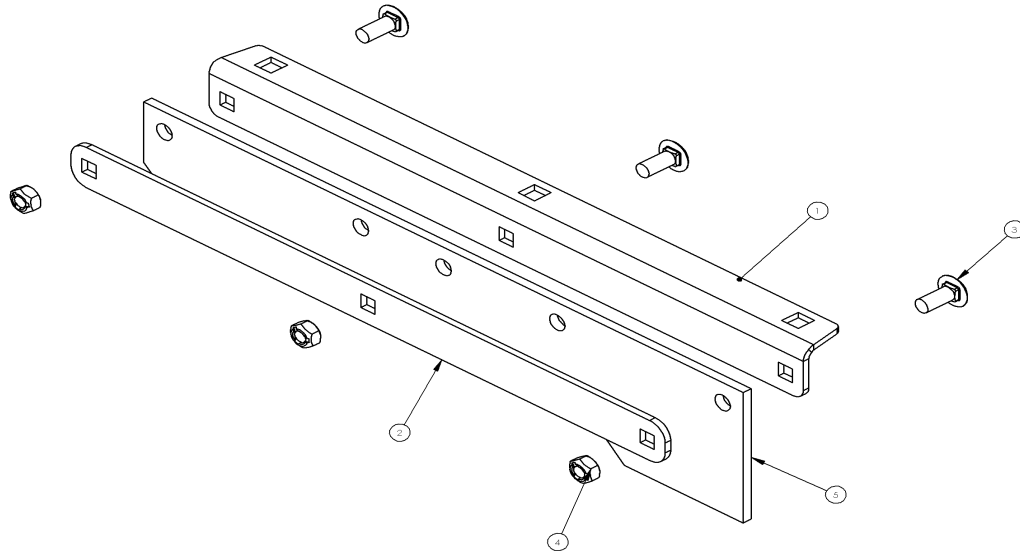
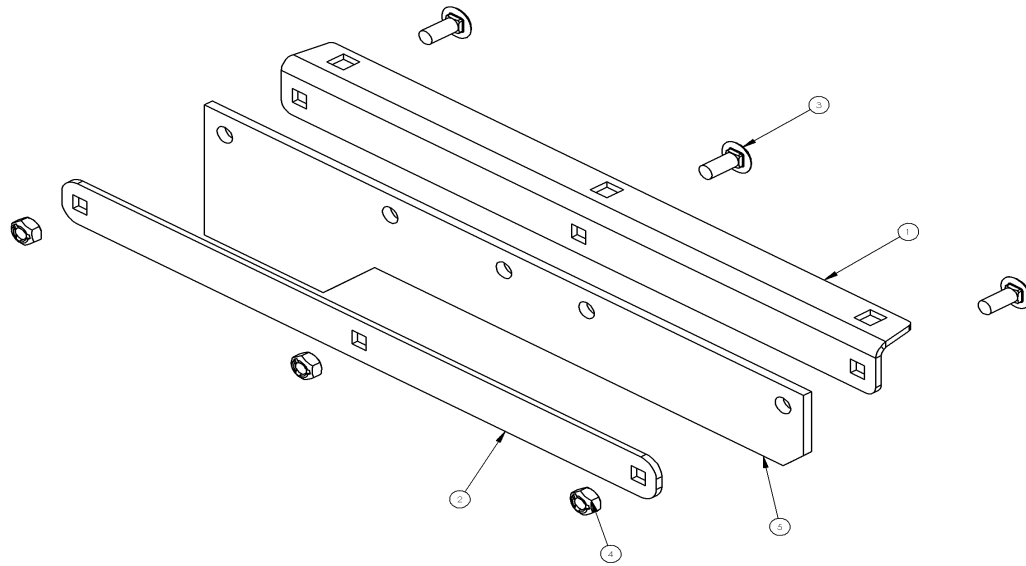


FIG.	ASM, REAR GUARD, RBR, LH, TRX766 AT
PART NO.	2001443

Ref#	Part#	Description	Qty
1	3106344	MNT,LH/RH REAR GUARD,10GA,TSX/TRX AT	1
2	3106345	STRAP,LH/RH REAR GUARD,10GA,TSX/TRX AT	1
3	5000196	BOLT	3
4	5000628	NUT, PKG QTY (10)	3
5	5500074	REAR GUARD,3PLY RUBBER,14.50",TRX766 AT	1

2001444, ASM, REAR GUARD, RBR, RH, TRX561 AT

UNCONTROLLED DOCUMENT IF PRINTED

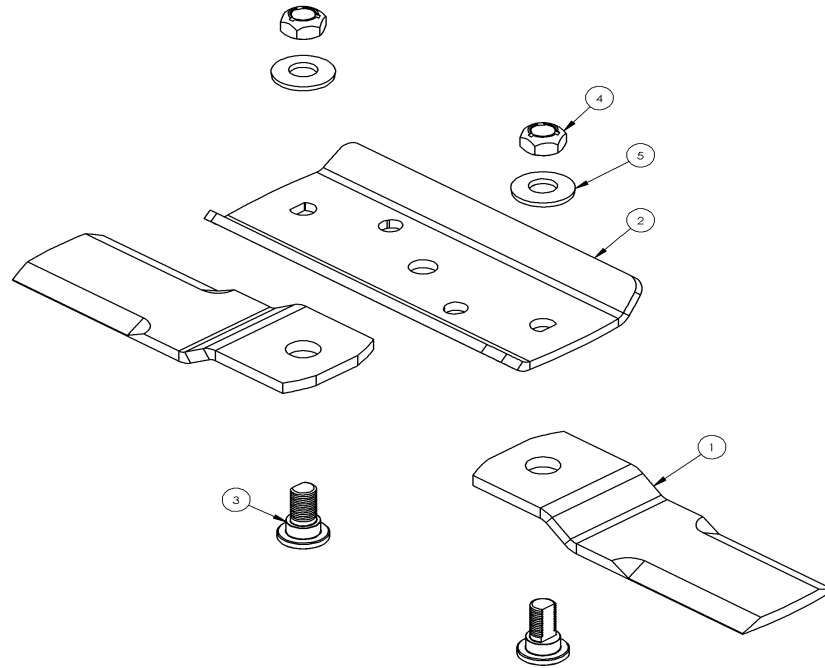


TITLE	ASM, Rear Guard, RBR, RH, TRX766 AT
PART NO.	2001444

Ref#	Part#	Description	Qty
1	3106344	MNT,LH/RH REAR GUARD,10GA,TSX/TRX AT	1
2	3106345	STRAP,LH/RH REAR GUARD,10GA,TSX/TRX AT	1
3	5000196	BOLT	3
4	5000628	NUT, PKG QTY (10)	3
5	5500074	REAR GUARD,3PLY RUBBER,14.50",TRX766 AT	1

2001621, ASM, BLADE HUB, DUAL EDGE, TRX/FX/66"/44"AT

UNCONTROLLED DOCUMENT IF PRINTED

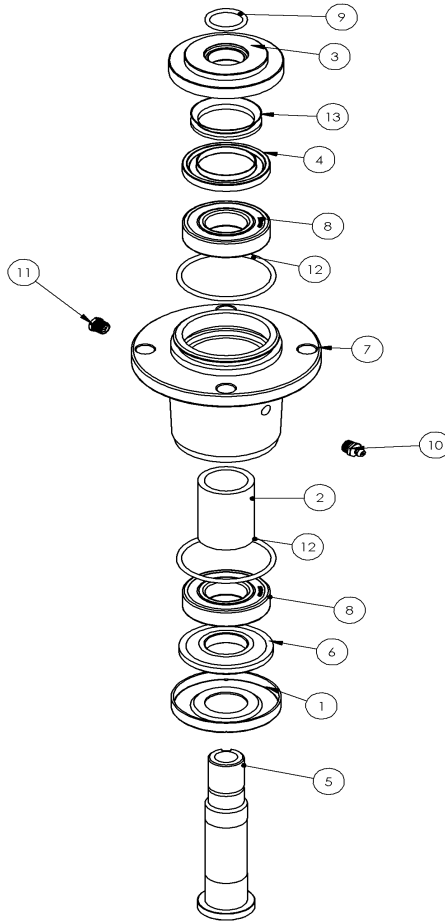


TITLE	Asm, Blade Hub, Dual Cutting Edge, TRX766
PART NO.	2001621

Ref#	Part#	Description	Qty
1	2900731	BLADE,DUAL CUTTING EDGE,AT,TRX/TSX/SWT	2
2	3104666	HUB,BLADE,NARROW,.25",TRX660/766 AT	1
3	5000617	BOLT,BLADE,W/FLAT,9/16"-18 UNF,ZY	2
4	5000618	NUT,9/16"-18,TOP LOCK,ZC/WAX	2
5	5000984	WASHER,BELLEVILLE,.591IDX1.378ODX.138,ZY	2

2900746, SPINDLE ASM,CLAMP STYLE,W/GREASE,AT DECK

UNCONTROLLED DOCUMENT IF PRINTED

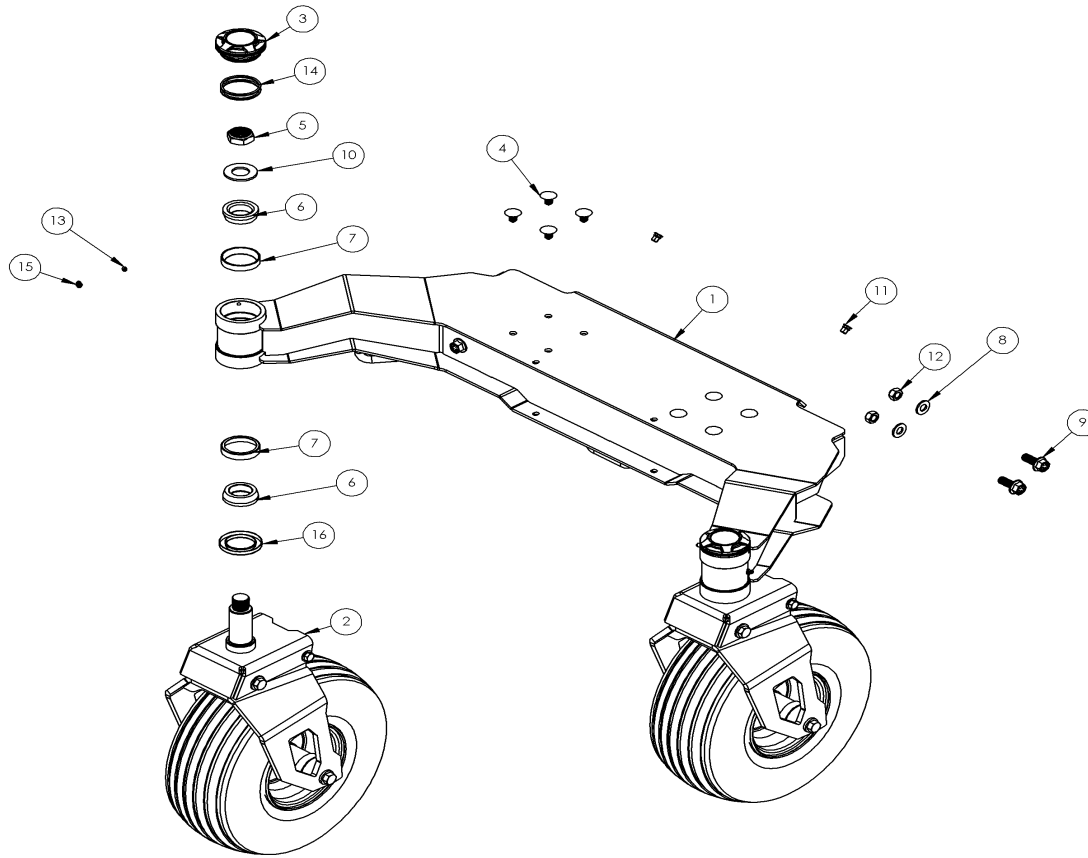


FILE	Assembly, Clamp Style, AT Spindle, w Grease
PART NO.	2900746

Ref#	Part#	Description	Qty
1	3104284	DUST SHIELD,LWR,DECK SPINDLE,ZY,TRX AT	1
2	3105302	SPACER,SPINDLE BEARING,ZC,TRX AT	1
3	3105303	DUST SHIELD,UPP,DECK SPINDLE,ZY,TRX AT	1
4	3105304	RETAINER,V-SEAL,SPINDLE,1.66ID,ZC,TRX AT	1
5	3105305	SHAFT,SPINDLE,CLAMP STYLE,PL,TRX AT	1
6	3105306	WASHER,LOWER SEAL,SPINDLE,ZY,TRX AT	1
7	3107563	SPINDLE HOUSING,TAPPED FOR GREASE FIT	1
8	5000686	BEARING,SPINDLE,SEALED/SHIELD,TRX AT	2
9	5000687	O-RING,SPINDLE,SIZE-211,BUNA-N,TRX AT	1
10	5000734	GREASE FIT,STRAIGHT,1/8"NPT,ZY	1
11	5000946	FIT,GREASE RELIEF,1/8"NPT,1-5 PSI RANGE	1
12	5500031	O-RING,SPINDLE,SIZE-230,BUNA-N,TRX AT	2
13	5500050	V-LIP SEAL,SPINDLE,1.575"ID,45,TRX AT	1

9990893, FRONT AXLE, OFFSET SPINDLE, TRX766, 2025-26

UNCONTROLLED DOCUMENT IF PRINTED

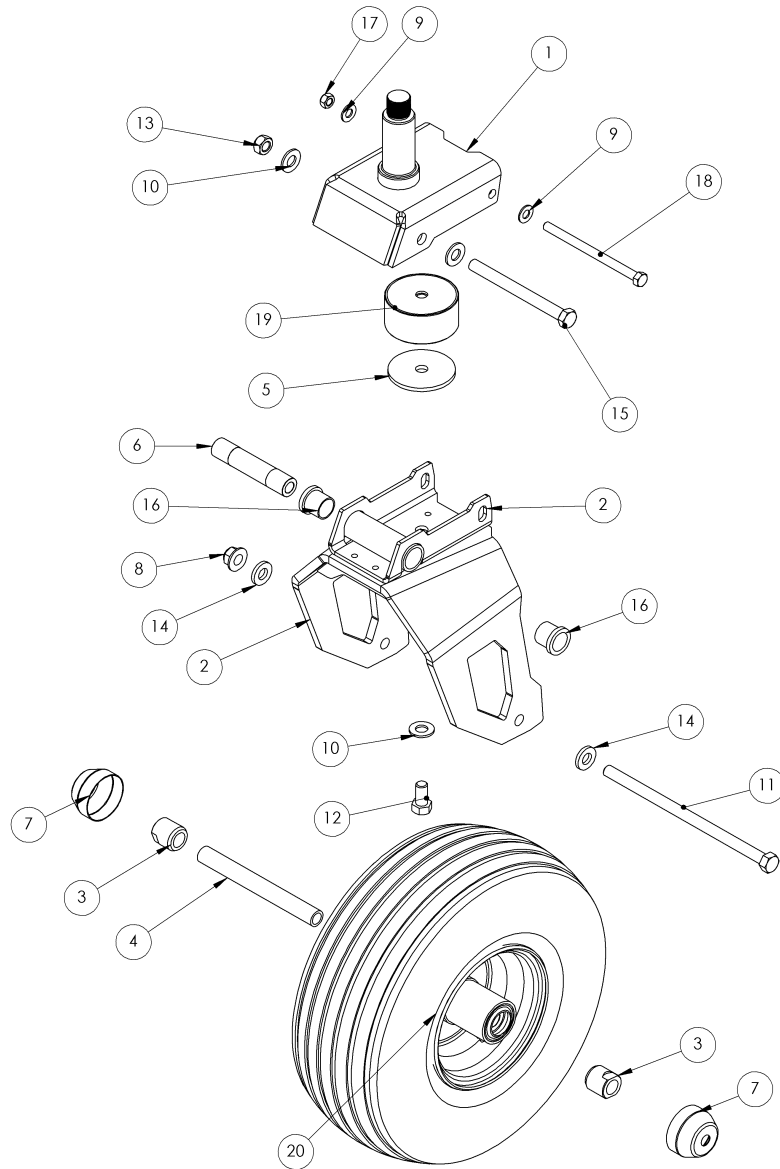


TITLE	Axle, Offset Spindle, TRX766R
PART NO.	9990893

Ref#	Part#	Description	Qty
1	1201306	WELD,FRONT AXLE,OFFSET SPINDLE,TRX766	1
2	2001666	ASM,FRONT AXLE FORK,TRQFLX,TRX610/66	2
3	3101236	CAP,FRONT SPINDLE,FORGED,3"ODX1.25"	2
4	4000193	PLUG,TREE CLIP,7/16" HOLE,RND HEAD	8
5	5000057	NUT, THIN, PKG QTY (5)	2
6	5000108	BEARING	4
7	5000109	CUP	4
8	5000176	WASHER, PKG QTY (10)	6
9	5000243	BOLT,1/2"-13X1-1/4",PKG QTY 5	6
10	5000309	WASHER	2
11	5000417	NUT, RIVET, PKG QTY (5)	2
12	5000584	NUT, PKG QTY 10	6
13	5000587	SCREW, PKG QTY 10	2
14	5000665	O-RING,SIZE-226,BUNA-N,60 DURO	4
15	5000787	GREASE FITTING,STRAIGHT,1/4-28	2
16	6000039	SEAL,DBL LIP,W/SPRING,2.56OD,1.75IDX.313	2

### 2001666, ASM,FRONT AXLE FORK,TRQFLX,TRX610/66

UNCONTROLLED DOCUMENT IF PRINTED

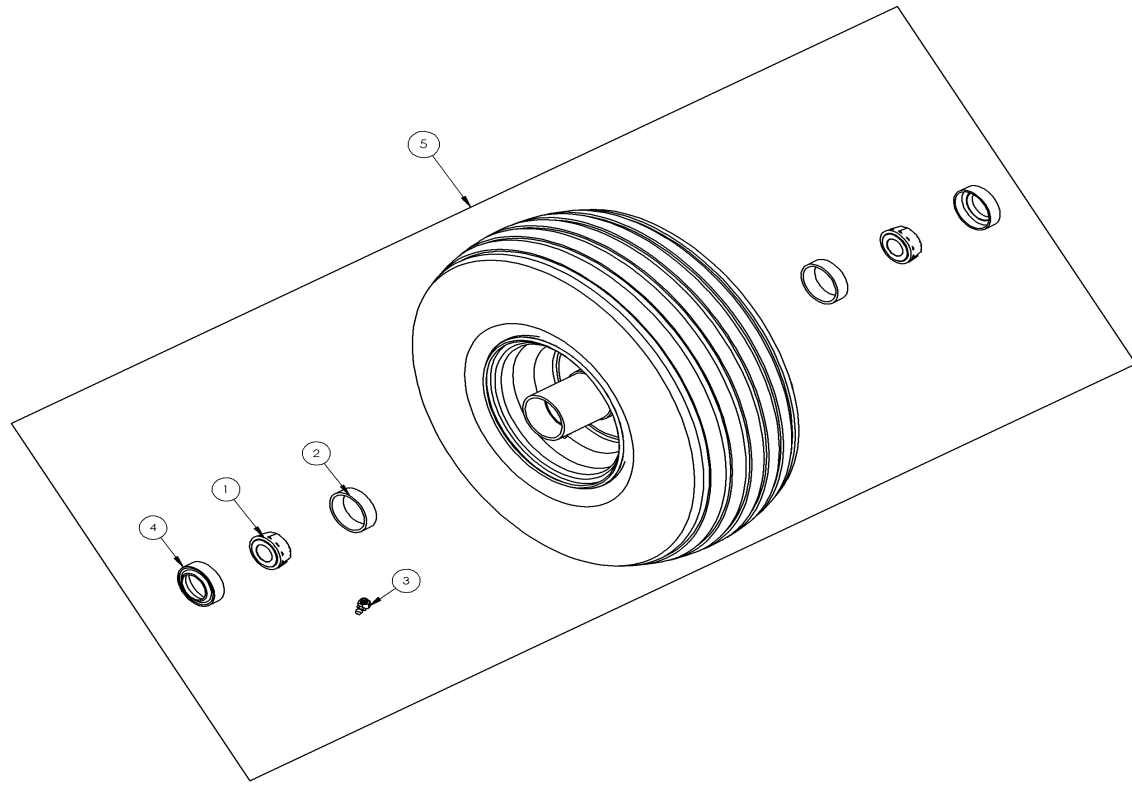


REF:	Asm. Front Axle Fork, TRX
PART NO.	2001666

Ref#	Part#	Description	Qty
1	1201303	WELD,SPINDLE,FRT AXLE FORK,TRX/TSX/XPRD	1
2	1201304	WELD,FORK,TORQFLEX,TRX766	1
3	3100538	SPACER	2
4	3100539	SLEEVE	1
5	3102829	SHIM,FRONT AXLE,7GA,XC/TRX/XPRD	1
6	3104275	SHAFT,PIVOT AXLE,.871"ODX.50"ID,ZY	1
7	3107240	GUARD,FRONT WHEEL BEARING,ZY	2
8	5000162	NUT, PKG QTY 10	1
9	5000174	WASHER, PKG QTY (10)	2
10	5000176	WASHER, PKG QTY (10)	3
11	5000615	SCREW,1/2"-13X9-1/2",HHCS,GR5,ZY	3
12	5000411	SCREW	1
13	5000584	NUT, PKG QTY 10	2
14	5000614	WASHER,1/2",.531IDX1.062ODX.156,HARD,ZY	2
15	5000631	SCREW,1/2"-13X5-1/2",HHCS,GR8,ZY	1
16	5000632	BUSHING,FLANGE,.875"IDX1"ODX1",BRZ	2
17	5000634	NUT, PKG QTY 20	1
18	5000945	SCREW,3/8"-16X5-1/2",HHCS,GR5,ZY	1
19	5500073	RUBBER BUMPER W/STEEL,1/2-13 TH,3.125"OD	1
20	6100054	WHEEL,FRONT,15/6X6,RIBBED,TPRD BRG,BC	1

6100054, WHEEL, FRONT, 15/6X6, RIBBED, TPRD BRG, BC

UNCONTROLLED DOCUMENT IF PRINTED

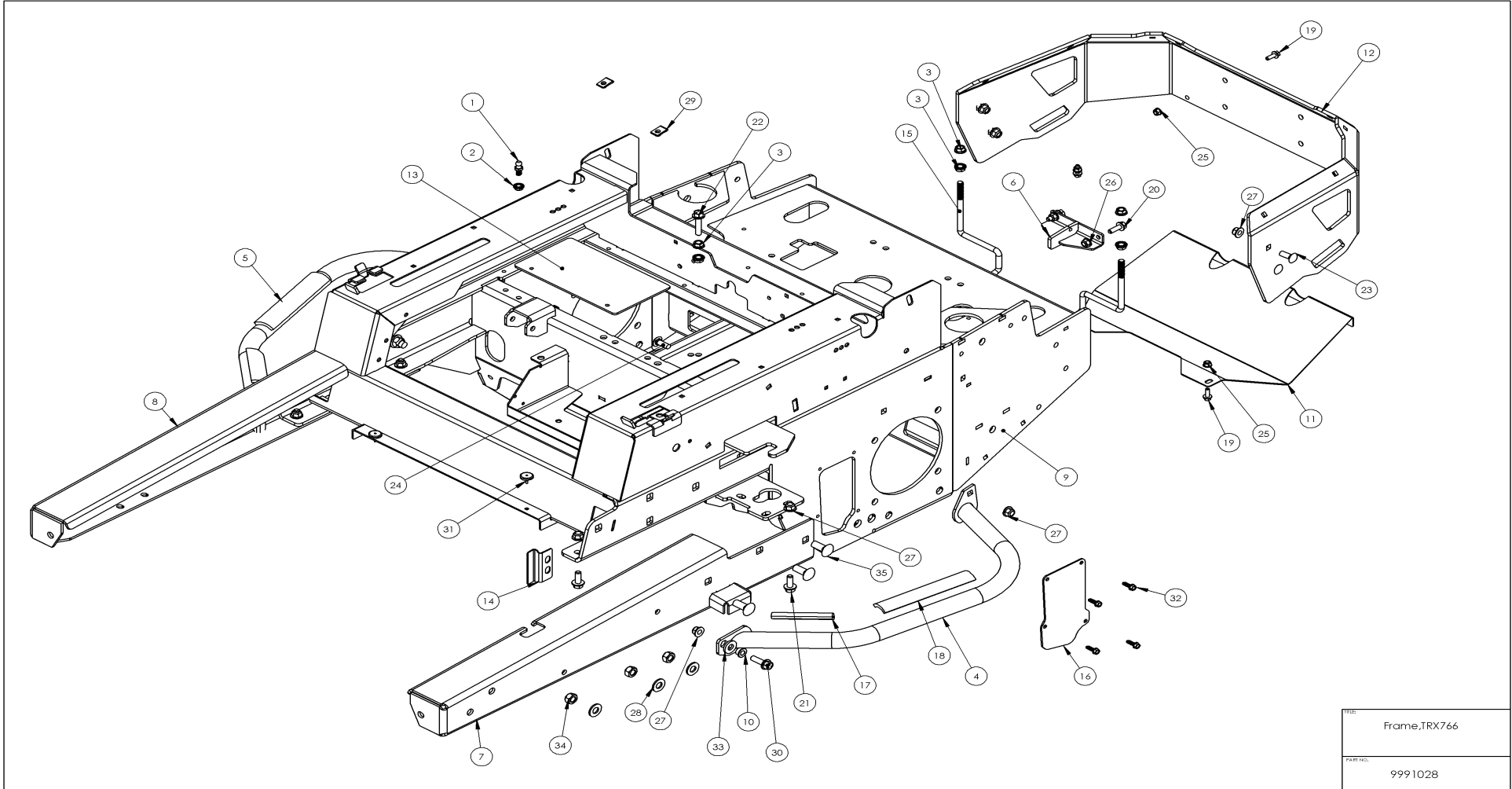


TITLE	WHEEL, FRT, 15/6X6, RIBBED, TPR BEARINGS
PART NO.	6100054

Ref#	Part#	Description	Qty
1	5000340	BEARING CONE,FRONT WHEEL,LM11949	2
2	5000341	BEARING CUP,FRONT WHEEL,LM11910	2
3	5000572	GREASE FITTING,45 DEG,1/4-28,ZC	1
4	6000023	RUBBER SEAL,FRONT WHEEL,1.125" SHAFT	2
5	6100054	WHEEL,FRONT,15/6X6,RIBBED,TPRD BRG,BC	1

9991028, FRAME,TRX766,2026

UNCONTROLLED DOCUMENT IF PRINTED

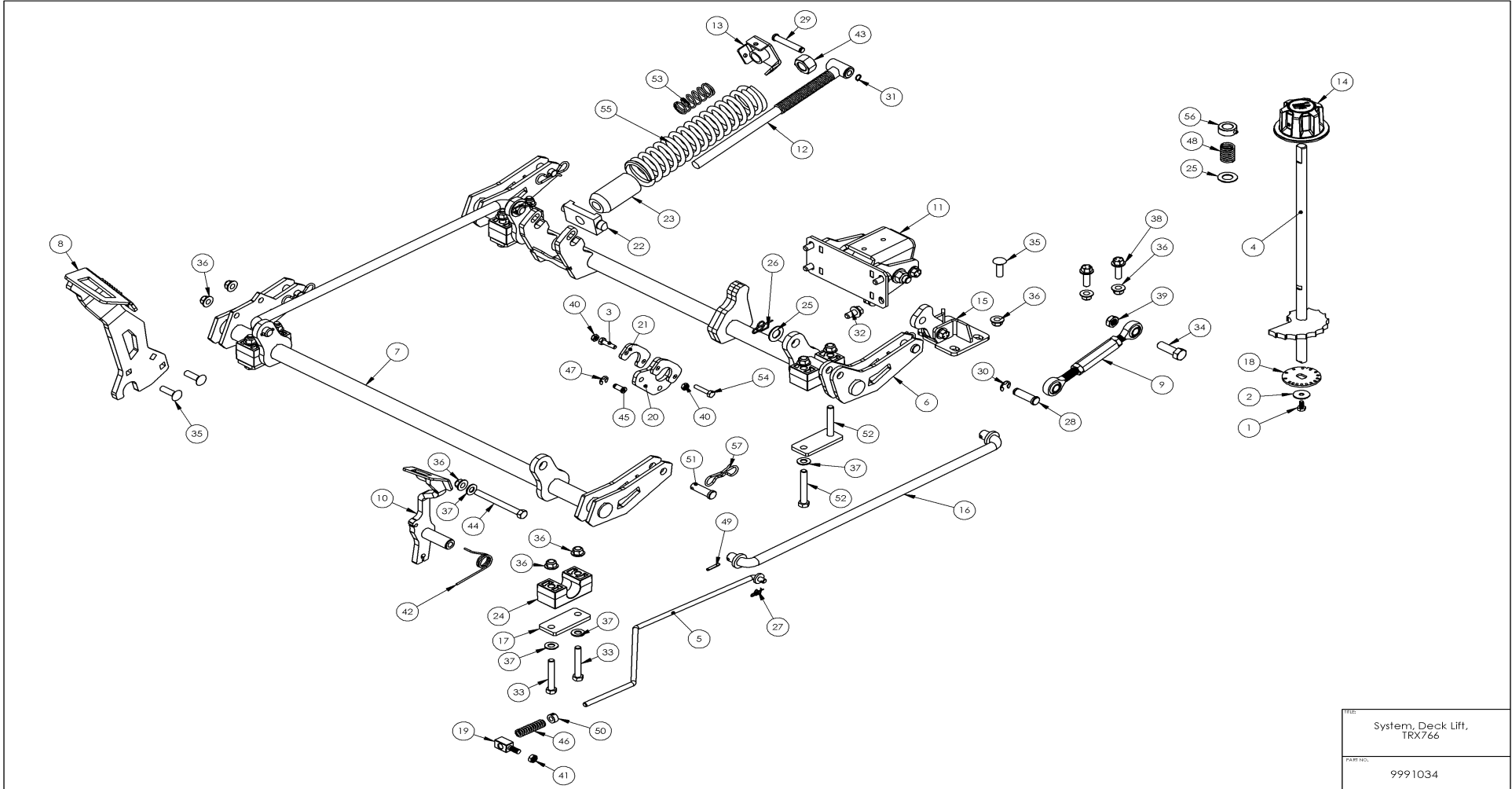


Ref#	Part#	Description	Qty
1	4264	BALL JOINT	2
2	5424	NUT, PKG QTY (10)	2
3	7787	NUT, PKG QTY 10	6
4	1200575	WELD,TANK SUPPORT,LH,XP/TRX	1
5	1200576	WELD,TANK SUPPORT,RH,XP/TRX	1
6	1200717	WELD,ANTI-ROT CLUTCH BRKT,XP/TRX	1
7	1201296	WELD,LH FRAME RAIL,TRX766	1
8	1201297	WELD,RH FRAME RAIL,TRX766	1
9	1201500	WELD,CHASSIS,TFX/TRX 766_XCSS	1
10	3102041	BUSHING,FLANGE,.375"IDX.563"ODX.375",ZY	2
11	3104024	SHIELD,HEAT,16GA,TRX610/660/766	1
12	3104026	BUMPER,.25",TRX610/660/766	1
13	3104088	PLATE,BATTERY GUARD,10GA,TRX610/660/766	1
14	3104230	TIE BAR LIMITER,14GA,XP/TRX	2
15	3104232	BELT GUIDE,CLUTCH,.375"OD,ZY,TRX	1
16	3108822	TRANS ACCESS COVER,12GA,TFX,XCSS,TRX766	2
17	4050023	FOAM	2
18	4050024	FOAM	2
19	5000126	BOLT, PKG QTY (10)	4
20	5000128	BOLT, PKG QTY (10)	2
21	5000130	BOLT,3/8"-16X1", PKG QTY (10)	4
22	5000131	BOLT, PKG QTY 10	1
23	5000146	BOLT, PKG QTY 10	4
24	5000154	BOLT, PKG QTY 10	2
25	5000156	NUT, PKG QTY 20	4
26	5000157	NUT, PKG QTY 10	2
27	5000159	NUT, PKG QTY 20	12

28	5000176	WASHER, PKG QTY (10)	6
29	5000180	NUT, CLIP, PKG QTY (10)	2
30	5000185	BOLT	2
31	5000253	BUMPER	2
32	5000297	SCREW, PKG QTY 10	8
33	5000575	WASHER	2
34	5000584	NUT, PKG QTY 10	6
35	5000585	BOLT	6

### 9991034, DECK LIFT,SYSTEM,TRX766,2026

UNCONTROLLED DOCUMENT IF PRINTED



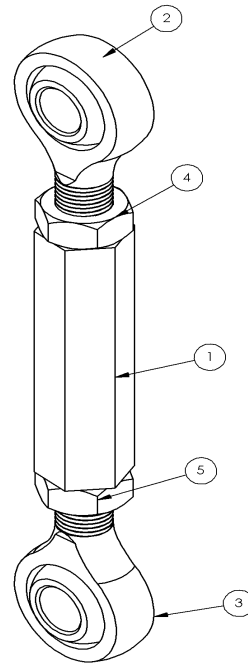
Ref#	Part#	Description	Qty
1	5082	SCREW, PKG QTY 10	1
2	5083	WASHER	1
3	5726	SCREW, PKG QTY 10	1
4	1200101	WELD,HOC SHAFT/CAM,XC/XPHD/TRX	1
5	1200520	TIE ROD,DECK RELEASE,OFFSET,ZY	1
6	1200673	WELD,REAR JACKSHAFT,DECK,TRX610/66	1
7	1201486	WELD,FRONT JACKSHAFT,DECK,TRX/TFX/XC	1
8	1201504	WELD,DECK LIFT PEDAL,BLTD,XP/TRX	1
9	2000195	ASM,DECK HEIGHT LINK,XC/XPHD/TRX	1
10	2000350	ASM,DECK RELEASE PEDAL,ARG,XC/XPHD/TRX	1
11	2000351	ASM,DECK LIFT CATCH MNT,XC/XPHD/TRX	1
12	2000352	ASM,LIFT SPRING SHAFT W/BUSH,XC/XPHD/TRX	1
13	2000366	ASM,SPRING RETAIN/BUSH,LIFT,XC/XPHD/TRX	1
14	2000771	ASM,ADJ KNOB,DK HEIGHT,XC/XP/TRX/TSX/TFX	1
15	2000936	ASM,CAM ARM PIVOT ARM,HOC,TRX610/660	1
16	3100477	WIRE TIE BAR	2
17	3100723	PLATE,BUSHING,MD JS,.25",XC/XPHD/TRX/TSX	4
18	3100904	TIMING PLATE,SLOTS,HOC,10GA,XC/XPHD/TRX	1
19	3100960	BRAKE LINK SLIDE	1
20	3101222	COLLAR,DECK LIFT,.25",XC/XPHD/TRX	1
21	3101223	COLLAR,DECK LIFT,7GA,XC/XPHD/TRX	2
22	3101226	DECK SPRING STOP	1
23	4000062	SPRING RETAINER SLEEVE	1
24	4000114	SNAP MOUNT,JACKSHAFT,MOLDED	4
25	5000055	WASHER	3
26	5000094	COTTER PIN	2
27	5000096	COTTER PIN	1

28	5000097	CLEVIS PIN	1
29	5000098	CLEVIS PIN	1
30	5000102	E-RING	1
31	5000105	RING	1
32	5000129	BOLT	4
33	5000136	SCREW, PKG QTY (10)	4
34	5000142	SCREW	1
35	5000147	BOLT	3
36	5000159	NUT, PKG QTY 20	14
37	5000174	WASHER, PKG QTY (10)	9
38	5000185	BOLT	2
39	5000217	NUT, THIN, PKG QTY (10)	1
40	5000221	NUT, PKG QTY (10)	2
41	5000274	NUT, PKG QTY (10)	1
42	5000294	SPRING	1
43	5000298	NUT	1
44	5000300	SCREW	1
45	5000301	CLEVIS PIN	1
46	5000306	SPRING	1
47	5000319	E-RING	1
48	5000339	SPRING	1
49	5000401	SPRING PIN,5/32X1.0",ZC	2
50	5000452	COLLAR,SHAFT,W/SET SCREW,8MM ID,BLK OX	1
51	5000563	CLEVIS PIN,W/HOLE,1/2"ODX1-1/2"L,ZY	4
52	5000564	SCREW, PKG QTY (10)	4
53	5000643	SPRING,COMPR,0.095"Wx1"ODx2.5",ZY	1
54	5000652	SCREW, PKG QTY 10	1
55	5000669	SPRING,COMPR,.283"Wx2.262"ODx10",ZY	1

56	5000685	COLLAR,SHAFT,W/SET SCREW,16MM ID,ZC	1
57	5000741	COTTER BOWTIE,7/16"SHAFTx.120"W,ZY	4

2000195, ASM, DECK HEIGHT LINK, XC/XPHD/TRX

UNCONTROLLED DOCUMENT IF PRINTED

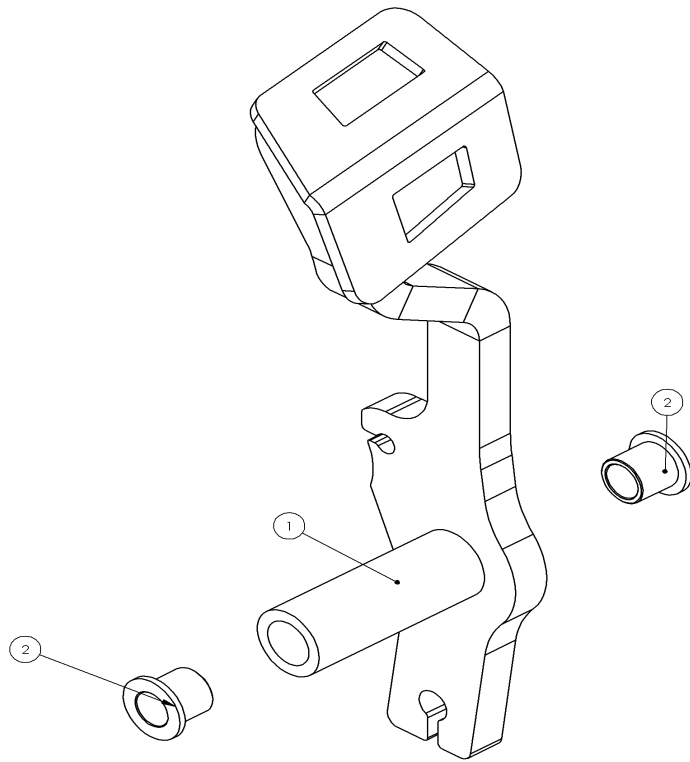


TITLE	MD Height Link Assem
PART NO.	2000195

Ref#	Part#	Description	Qty
1	5000076	NUT	1
2	5000078	ROD END	1
3	5000079	ROD END	1
4	5000170	NUT, PKG QTY (10)	1
5	5000171	NUT, LH, PKG QTY (10)	1

2000350, ASM,DECK RELEASE PEDAL,ARG,XC/XPHD/TRX

UNCONTROLLED DOCUMENT IF PRINTED

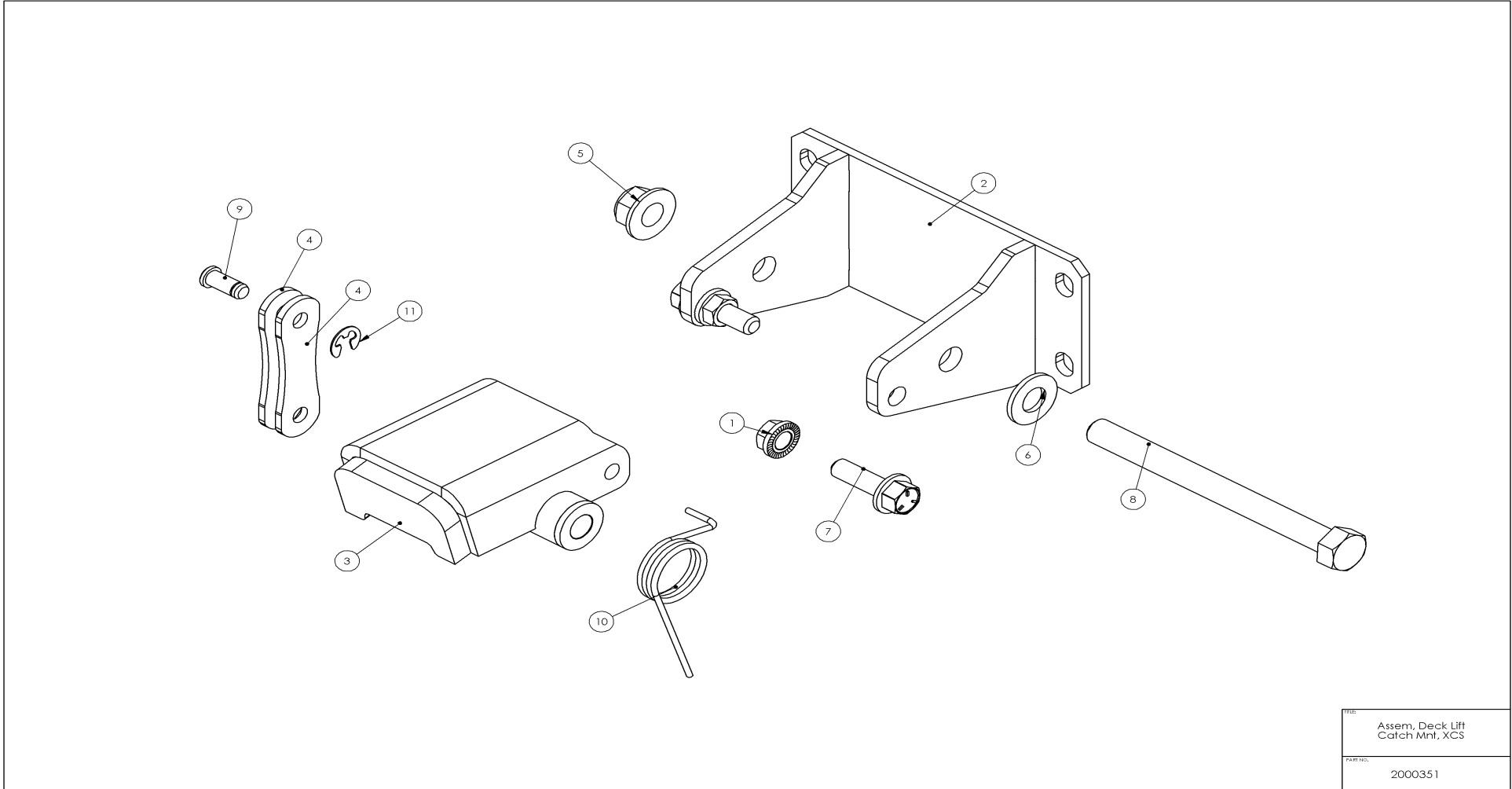


TITLE	Assem, Release Pedal w Bushings, XCS
PART NO.	2000350

Ref#	Part#	Description	Qty
1	1200201	WELD,DECK RELEASE PEDAL,XC/XPHD/TRX	1
2	5000270	BUSHING	2

2000351, ASM,DECK LIFT CATCH MNT,XC/XPHD/TRX

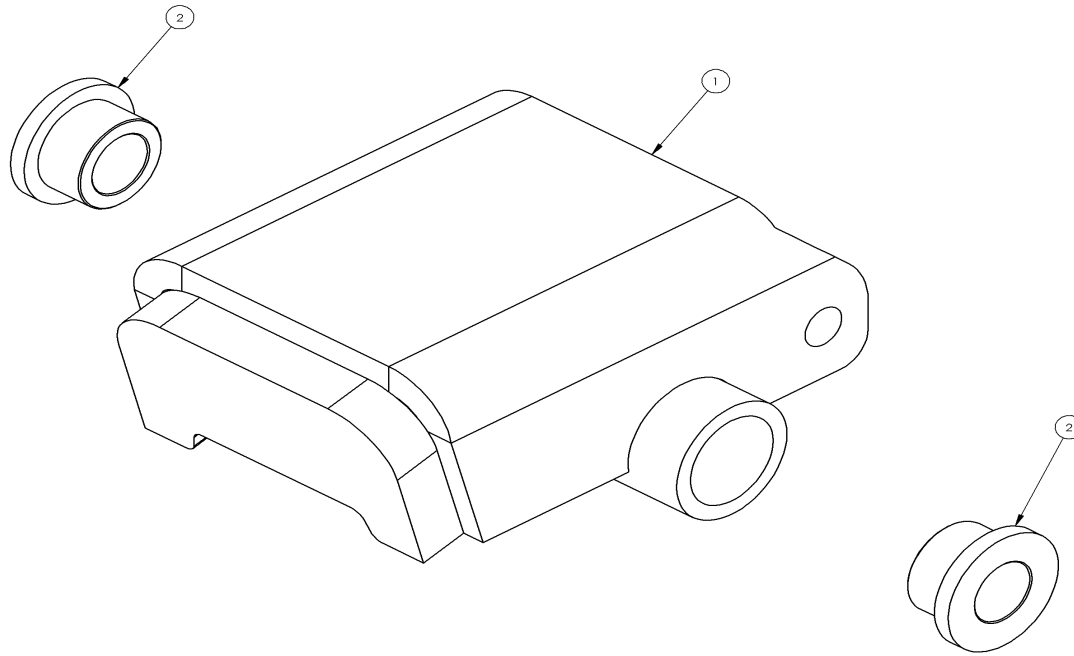
UNCONTROLLED DOCUMENT IF PRINTED



Ref#	Part#	Description	Qty
1	7787	NUT, PKG QTY 10	2
2	1200205	WELD,DECK CATCH BASE,XC/XPHD/TRX	1
3	2000349	ASM,DECK STOP CATCH W/BUSH,XC/XPHD/TRX	1
4	3101227	CAM LINK,DECK LIFT,10GA,XC/XPHD/TRX	2
5	5000162	NUT, PKG QTY 10	1
6	5000176	WASHER, PKG QTY (10)	1
7	5000185	BOLT	2
8	5000299	SCREW	1
9	5000301	CLEVIS PIN	1
10	5000302	TORSION SPRING	1
11	5000319	E-RING	1

2000349, ASM,DECK STOP CATCH W/BUSH,XC/XPHD/TRX

UNCONTROLLED DOCUMENT IF PRINTED

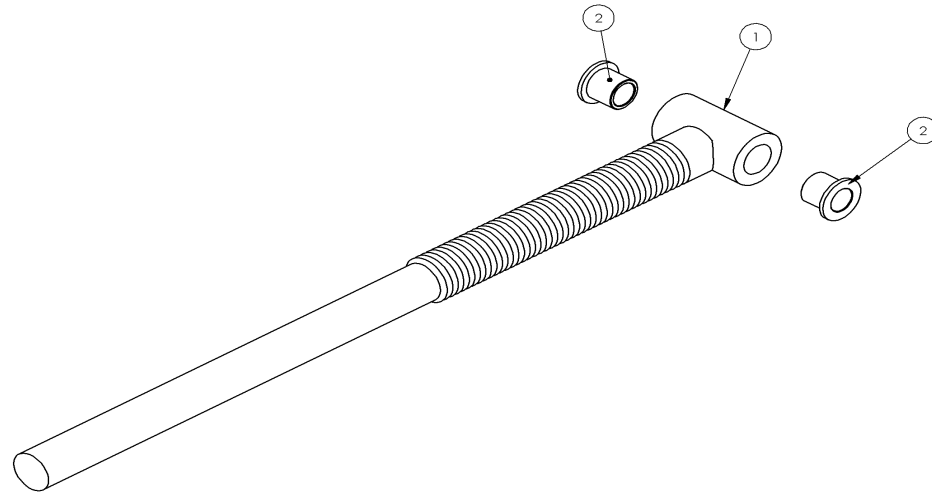


ITEM	Assem, Deck Stop Catch w Bushings, XCS
PART NO.	2000349

Ref#	Part#	Description	Qty
1	1200200	WELD,DECK STOP CATCH,XC/XPHD/TRX	1
2	5000090	BUSHING	2

2000352, ASM,LIFT SPRING SHAFT W/BUSH,XC/XPHD/TRX

UNCONTROLLED DOCUMENT IF PRINTED

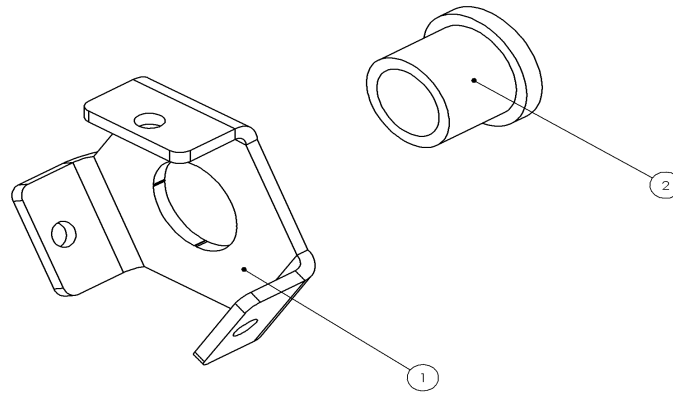


ITEM	Assem. Lift Spring Shaft w Bushings, XCS
PART NO.	2000352

Ref#	Part#	Description	Qty
1	1200202	WELD,LIFT SPRING SHAFT,XC/XPHD/TRX	1
2	5000270	BUSHING	2

2000366, ASM,SPRING RETAIN/BUSH,LIFT,XC/XPHD/TRX

UNCONTROLLED DOCUMENT IF PRINTED

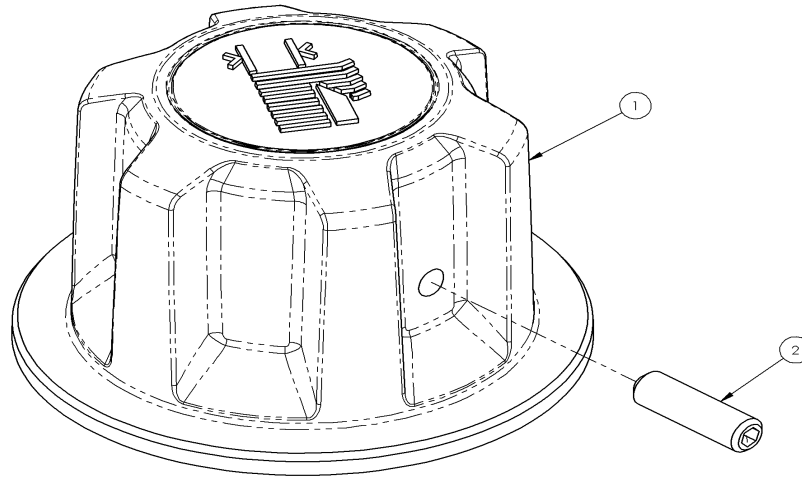


TITLE	Assem, Spring Retainer/Bushing, Deck Lift
PART NO.	2000366

Ref#	Part#	Description	Qty
1	3101233	SPRING RETAINER,DK LIFT,10GA,XC/XPHD/TRX	1
2	5000093	BUSHING	1

2000771, ASM,ADJ KNOB,DK HEIGHT,XC/XP/TRX/TSX/TFX

UNCONTROLLED DOCUMENT IF PRINTED

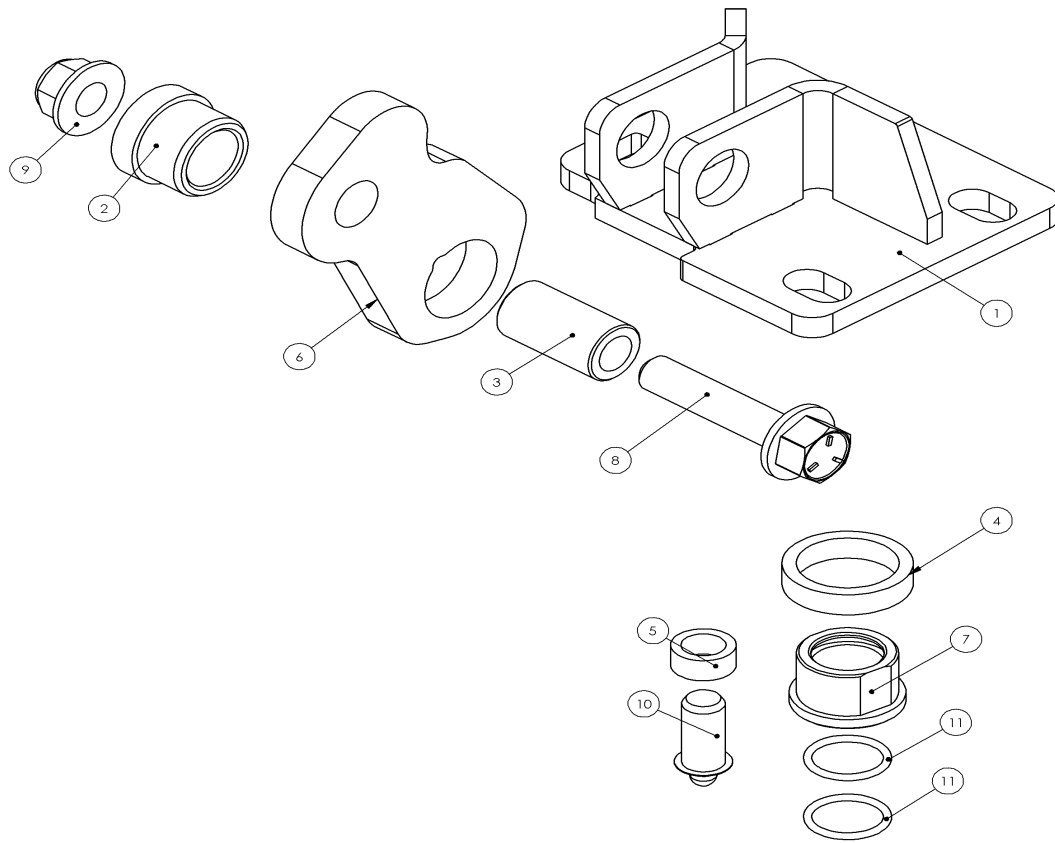


TITLE	ASSY,KNOB, ADJUSTMENT,DECK HEIGHT
PART NO.	2000771

Ref#	Part#	Description	Qty
1	4000105	KNOB,ADJUSTMENT,DECK HEIGHT,MACHINED	1
2	5000684	SCREW,1/4"-20X7/8",HEX SET-CUP PT,SS	1

### 2000936, ASM,CAM ARM PIVOT ARM,HOC,TRX610/660

UNCONTROLLED DOCUMENT IF PRINTED



TITLE	Assem, Cam Arm, Deck Height, TRX
PART NO.	2000936

Ref#	Part#	Description	Qty
1	1200638	WELD,CAM MNT,DECK STOP,XPHD/TRX	1
2	3100620	BUSHING	1
3	3104034	PIVOT SHAFT,DECK STOP,.625"ODX1.14",ZY	1
4	3104035	SPACER,SEAL-BUSH,LIFT,.25",XPHD/TRX/TSX	1
5	3104036	SPACER,SPRING PLUNGER,.25",XPHD/TRX/TSX	1
6	3104335	AXIALLY STEP CAM STOP ARM,.375",TRX61/66	1
7	4000083	BUSHING,FLANGE,O-RING,.63IDX.875ODX.625"	1
8	5000131	BOLT, PKG QTY 10	1
9	5000159	NUT, PKG QTY 20	1
10	5000184	SPRING PLUNGER	1
11	5000434	O-RING,SIZE-016,BUNA-N	2