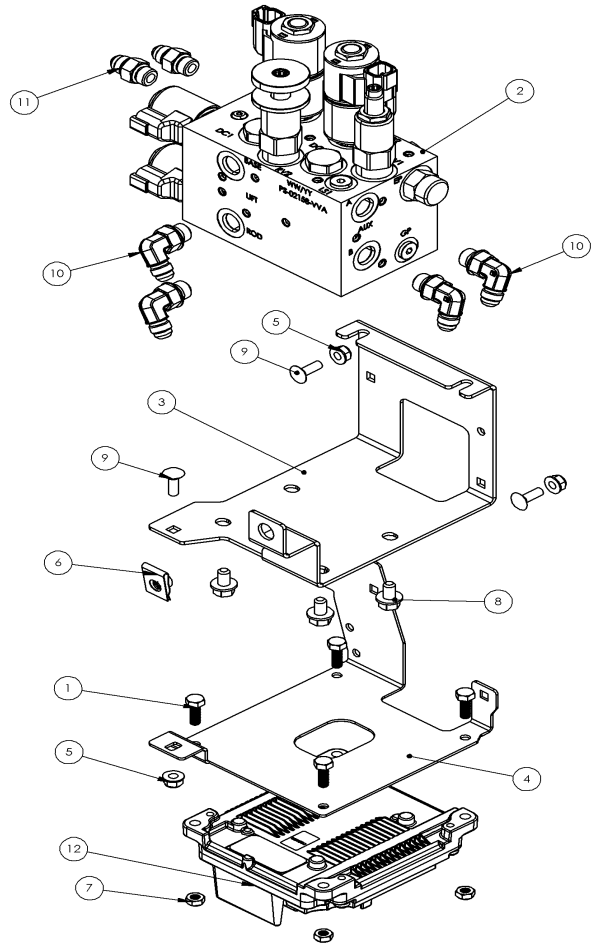


Ref#	Part#	Description	Qty
1	1201217	WELD,AUX HYDR FITT MNT,SWT	1
2	5000180	NUT, CLIP, PKG QTY (10)	3
3	5000779	FIT,HYDR,6 JIC M X 1/4"NPT M,STRAIGHT BH	2
4	5000795	FIT,HYDR,6 JIC M X 6 JIC F,45*EL	2
5	5000800	FIT,HYDR,1/4"NPT F X 1/4"FF F,QC COUPLER	1
6	5000801	FIT,HYDR,1/4"NPT F X 1/4"FF M,QC COUPLER	1

2001480, ASM, VALVE BLOCK W/ FITTINGS, SWT

UNCONTROLLED DOCUMENT IF PRINTED

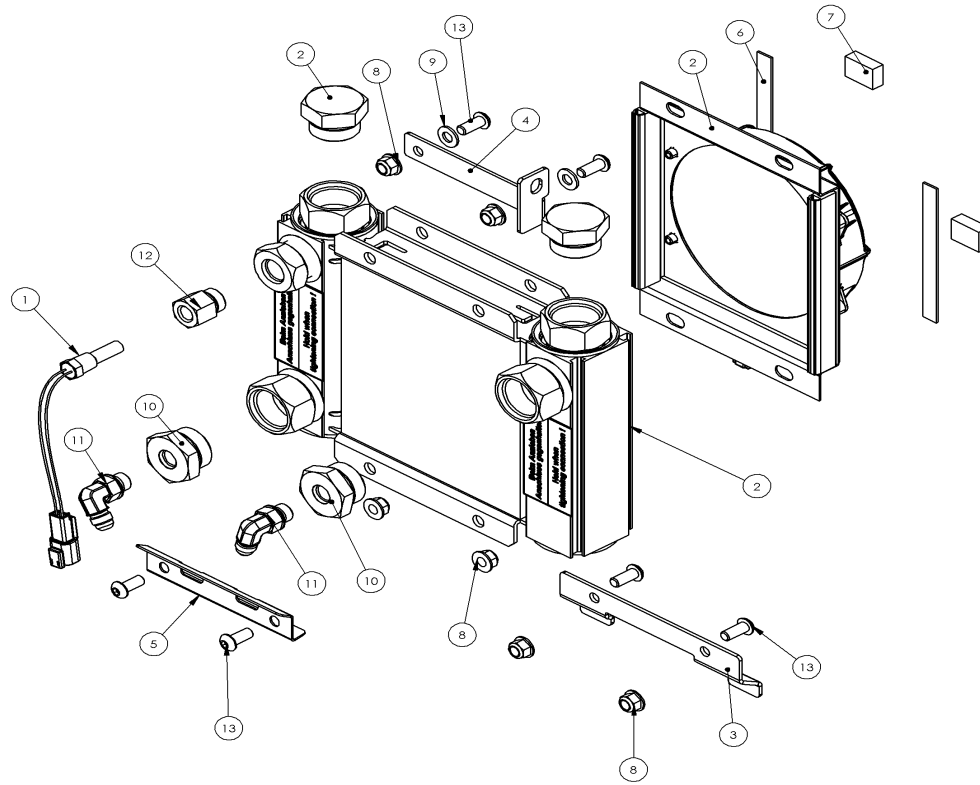


<p>Valve Block, w/ Fittings and Mount, Sw1</p>
<p>PART NO. 2001480</p>

Ref#	Part#	Description	Qty
1	5646	SCREW, PKG QTY 10	4
2	2900680	ASM,HYDR BLOCK,CYL CTL W/PRESS RELEASE	1
3	3106764	MOUNT,HYD VALVE,12GA,SWT	1
4	3106767	MOUNT,VALVE CONTROL DRIVER,14GA,SWT	1
5	5000156	NUT, PKG QTY 20	3
6	5000181	NUT, PKG QTY 10	1
7	5000221	NUT, PKG QTY (10)	4
8	5000414	SCREW	4
9	5000492	BOLT	3
10	5000776	FIT,HYDR,6 ORB M X 6 JIC M,90*EL	4
11	5000792	FIT,HYDR,6 ORB M X6 JIC M,STRGHT ADAPTER	2
12	8200397	CONTROLLER,HFX12M,HYDR CIRCUIT	1

2001550, ASM,OIL COOLER W/ FITTINGS/MNTS,SWT

UNCONTROLLED DOCUMENT IF PRINTED

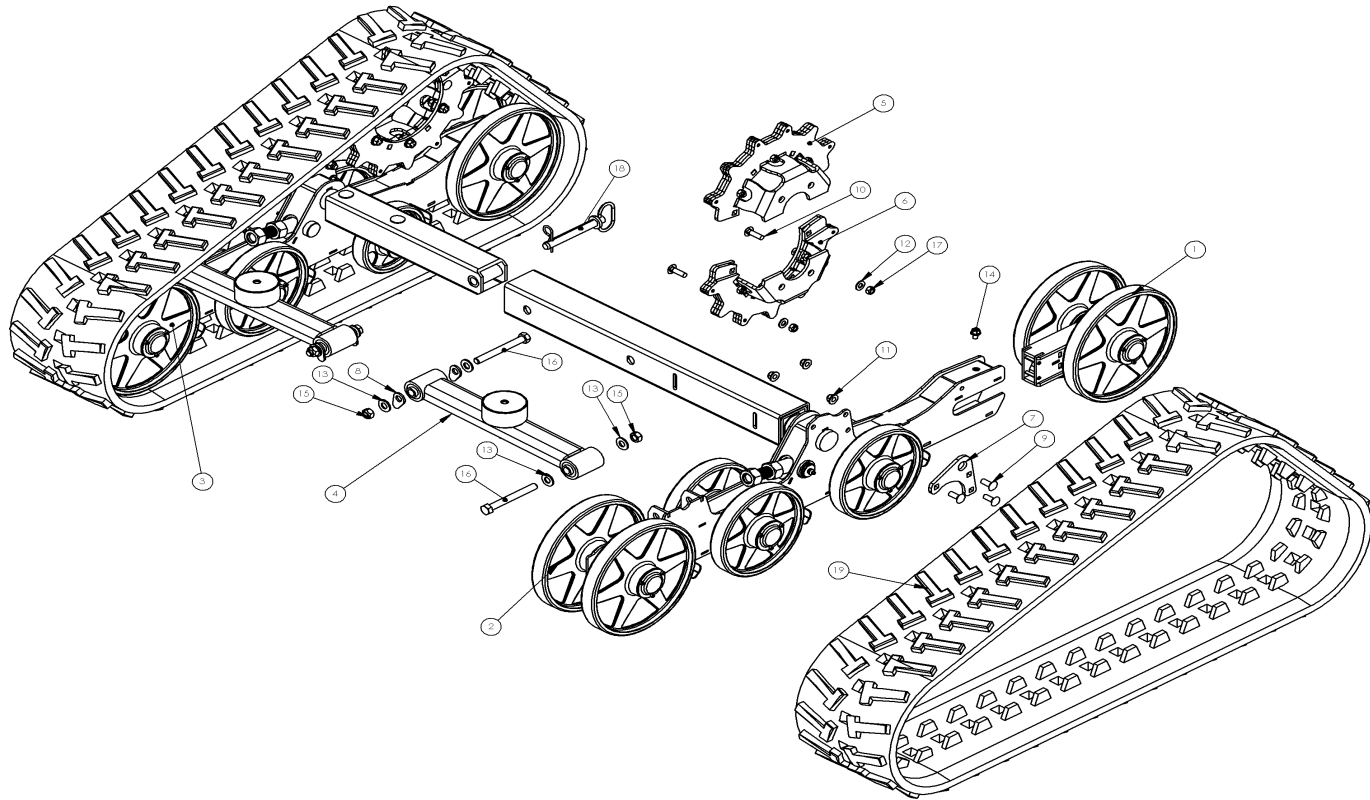


TITLE:	Assem, Oil Cooler w Fittings/Mnts, Swt
PART NO.:	2001550

Ref#	Part#	Description	Qty
1	2001551	ASM,TEMP SENSOR W/CONN,150 DEG,SWT	1
2	2900669	ASM,OIL COOLER,DS1,SWT	1
3	3106753	LOWER MOUNT,OIL COOLER,12GA,SWT	1
4	3106754	UPPER MOUNT,OIL COOLER,12GA,SWT	1
5	3107138	RETAINER,OIL COOLER SCREEN,18GA,SWT	1
6	4050081	FOAM TAPE,ADH,1/16"Tx1/2"Wx5"L,BLK	2
7	4050084	FOAM TAPE,ADH,3/8"Tx3/4"Wx1"L,BLK	2
8	5000157	NUT, PKG QTY 10	6
9	5000173	WASHER, PKG QTY (10)	4
10	5000774	FIT,HYDR,16 ORB M X 6 ORB F,PORT ADAPTER	2
11	5000776	FIT,HYDR,6 ORB M X 6 JIC M,90*EL	2
12	5000796	FIT,HYDR,8 ORB MX 1/4"NPT F,PORT ADAPTER	1
13	5000850	SCREW,5/16"-18X3/4",BHCS,GR8,ZY	6

9990859, SYS,TRACKS,SWITCH,2024

UNCONTROLLED DOCUMENT IF PRINTED

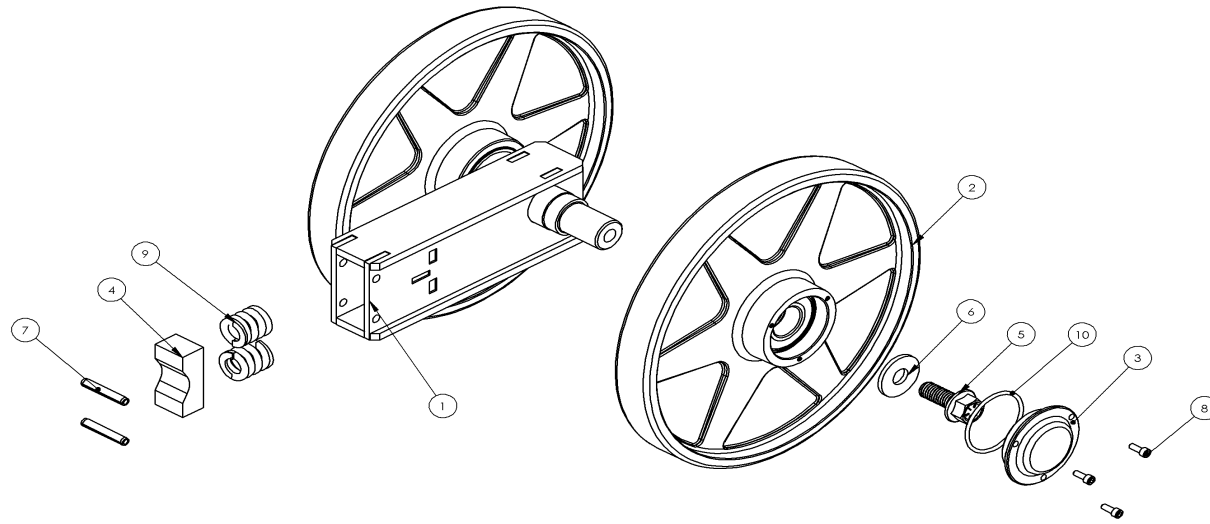


TITLE	System, Tracks, Swt
PART NO.	9990859

Ref#	Part#	Description	Qty
1	2001530	ASM,TRACK SLIDE AND IDLERS,SWT	2
2	2001544	ASM,AXLE AND IDLERS,LH,SWT	1
3	2001546	ASM,AXLE AND IDLERS,RH,SWT	1
4	2001549	ASM,FRONT SUSPENSION ARM,SWT	2
5	2001556	ASM,HALF WHEEL,OUTER,SPROCKET STYLE,SWT	2
6	2001557	ASM,HALF WHEEL,INNER,SPROCKET STYLE,SWT	2
7	3107222	MOUNT,BRAKE SHAFT,SPROCKET DRV,.25",SWT	2
8	3107224	SUSPENSION,SPACER WASHER,10GA SS,SWT	4
9	5000146	BOLT, PKG QTY 10	6
10	5000147	BOLT	4
11	5000159	NUT, PKG QTY 20	6
12	5000174	WASHER, PKG QTY (10)	4
13	5000176	WASHER, PKG QTY (10)	8
14	5000414	SCREW	2
15	5000584	NUT, PKG QTY 10	4
16	5000599	SCREW	4
17	5000634	NUT, PKG QTY 20	4
18	5000839	HITCH PIN,5/8"ODx4"L,W/PULL LOOP,ZY	1
19	5500099	TRACK,ALTOZ,230MM Wx72MM Px39 P,T-BAR	2

2001530, ASM,TRACK SLIDE AND IDLERS,SWT

UNCONTROLLED DOCUMENT IF PRINTED

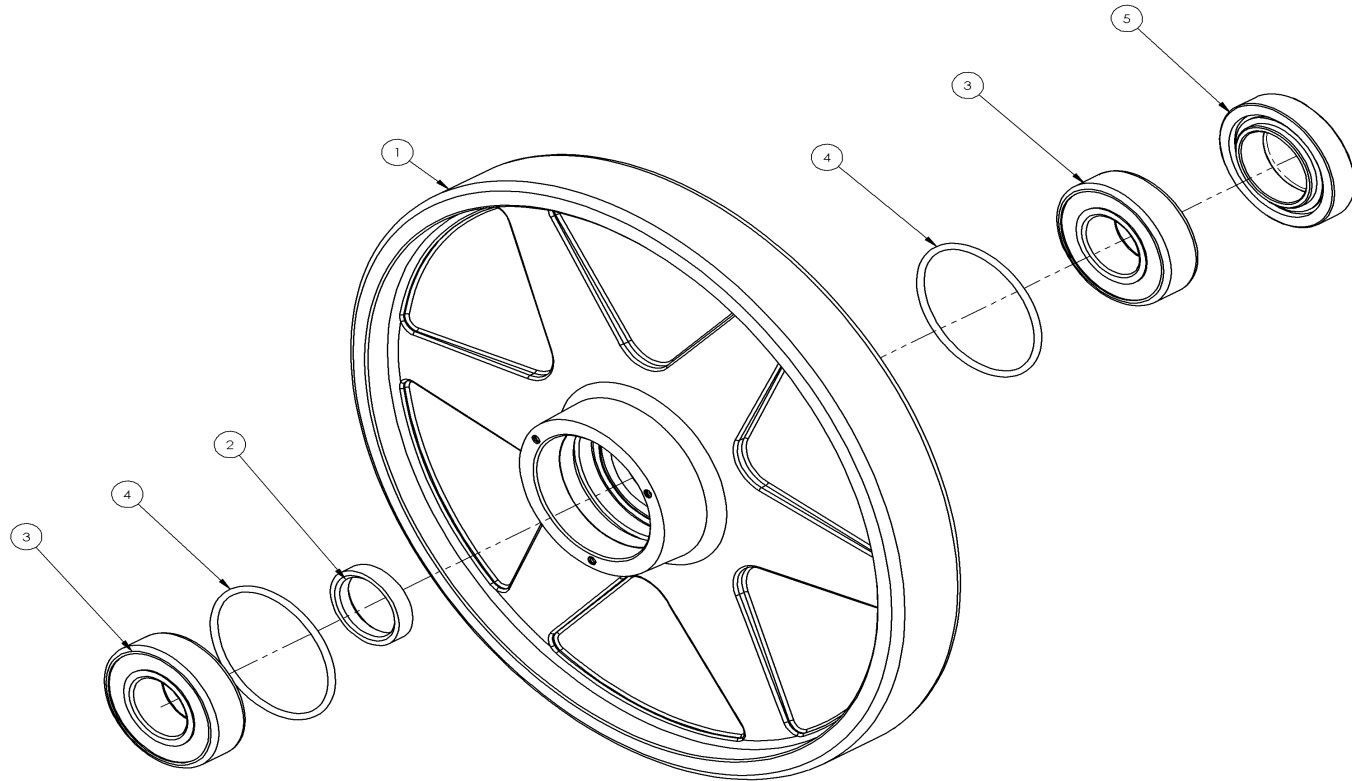


TITLE:	ASSEM, TRACK SLIDE AND IDLERS, SWT
PART NO.:	2001530

Ref#	Part#	Description	Qty
1	1201187	WELD,AXLE TENSIONER SLIDE,SWT	1
2	2001213	ASM,CAST IDLER WHEEL,OUTER,10",TRX766	2
3	3106379	HUB CAP,TRACK WHEEL,6061 ALUM	2
4	3107018	BOSS,TRACK TENSIONER BLOCK ,ZY,SWT	1
5	5000243	BOLT, PKG QTY 5	2
6	5000261	WASHER	2
7	5000523	SPRING PIN,.25"X1.5",PL	2
8	5000567	SCREW, PKG QTY 10	6
9	5000576	SPRING,DIE,1"ODX.5"IDX1"OAL	2
10	5000577	O-RING,SIZE-134,BUNA-N	2

2001213, ASM,CAST IDLER WHEEL,OUTER,10",TRX766

UNCONTROLLED DOCUMENT IF PRINTED

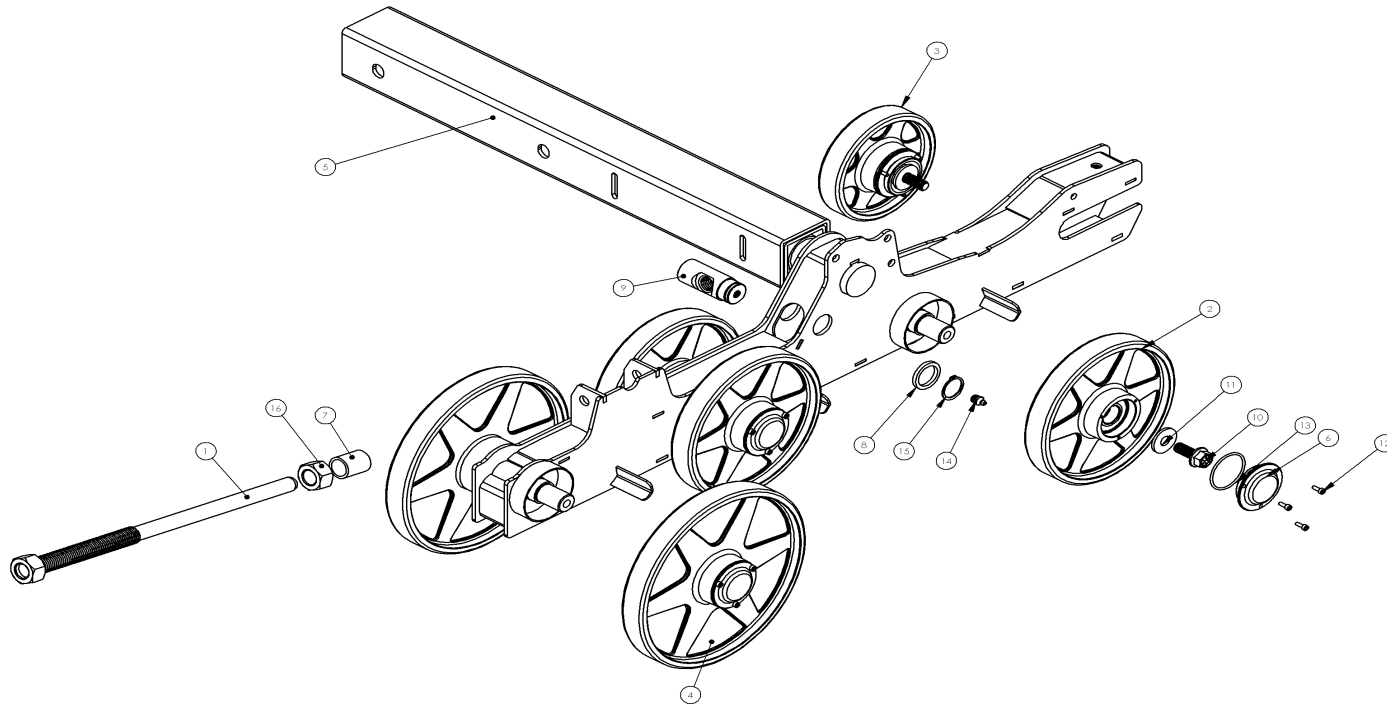


TITLE:	Assem, Cast Idler Wheel, Outer, 10 in
PART NO.:	2001213

Ref#	Part#	Description	Qty
1	1500022	WHEEL,CAST IRON,BLK,10"OD,TRX766	1
2	3104112	BEARING SPACER,TRACK WHEEL,TRX,PL	1
3	5000558	BEARING,BALL,6205-2RSCT,25MM ID,TRX	2
4	5000674	O-RING,SIZE-137,BUNA-N	0
5	6000052	SEAL,CASSETTE,IDLER WHEEL,TRX/TSX	1

2001544, ASM, AXLE AND IDLERS, LH, SWT

UNCONTROLLED DOCUMENT IF PRINTED

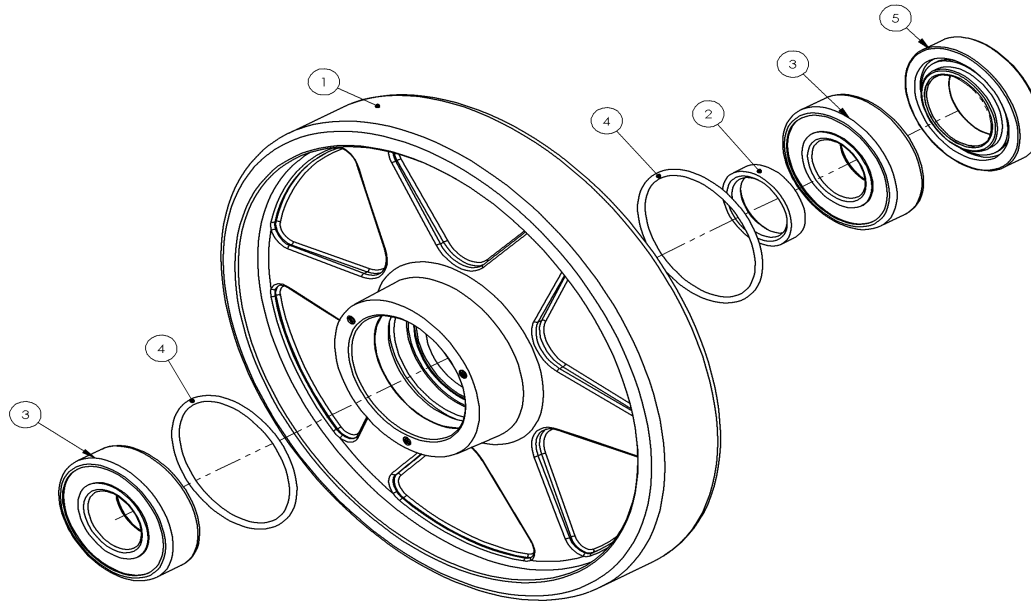


TITLE:	Assem, Axle and Idlers, LH, Swt
PART NO.:	2001544

Ref#	Part#	Description	Qty
1	1201188	WELD,THREADED TRACK TENSION ROD,SWT	1
2	2001077	ASM,CAST IDLER WHEEL,OUTER,8",TRX/TSX	3
3	2001173	ASM,CAST IDLER WHEEL,OUTER,6",TRX/TSX	1
4	2001213	ASM,CAST IDLER WHEEL,OUTER,10",TRX766	2
5	2001545	ASM,WALKING BEAM/AXLE TUBE,LH,SWT	1
6	3106379	HUB CAP,TRACK WHEEL,6061 ALUM	6
7	3107026	SPACER,TRACK TENSION SHAFT,1.375",ZY,SWT	1
8	3107225	SHIM WASHER,TRACK TENS PIVOT,7GA,SWT	1
9	3107226	PIVOT BUSHING,TRK TENS BOLT,ZY,3",SWT	1
10	5000243	BOLT, PKG QTY 5	6
11	5000261	WASHER	6
12	5000567	SCREW, PKG QTY 10	18
13	5000577	O-RING,SIZE-134,BUNA-N	6
14	5000734	GREASE FIT,STRAIGHT,1/8"NPT,ZY	1
15	5000840	SNAP RING,EXTERNAL RETAINING,1-1/8",ZY	1
16	5000841	NUT,7/8"-9,HEX FINISH FULL,GR2,ZY	1

2001077, ASM,CAST IDLER WHEEL,OUTER,8",TRX/TSX

UNCONTROLLED DOCUMENT IF PRINTED

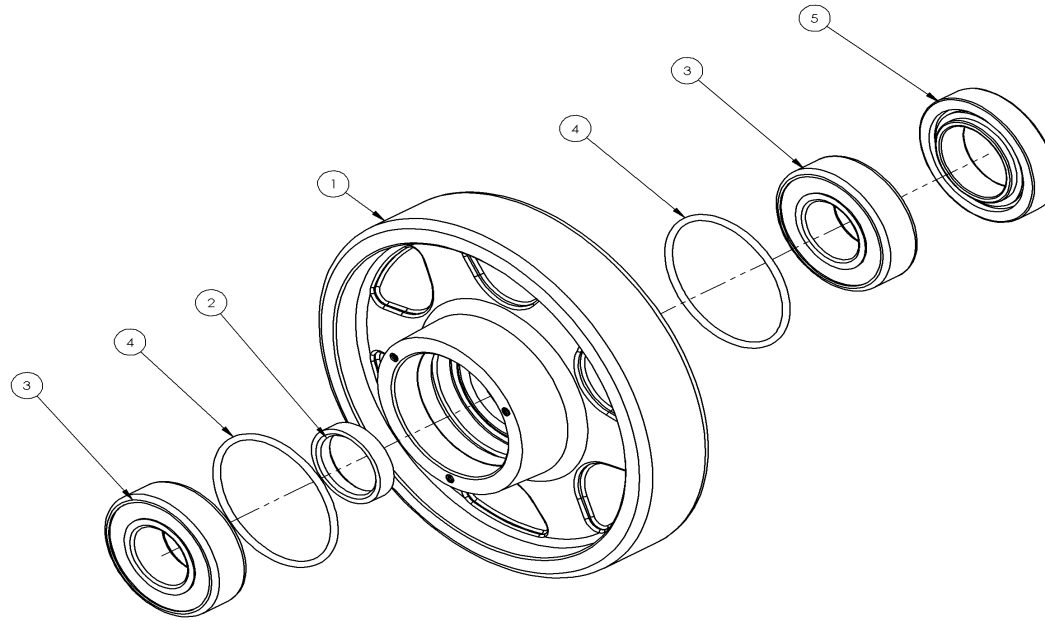


TITLE:	Assem, Cast Idler Wheel, Outer, 8 in
PART NO.:	2001077

Ref#	Part#	Description	Qty
1	1500020	WHEEL,CAST IRON,BLK,8"OD,TRX354/561	1
2	3104112	BEARING SPACER,TRACK WHEEL,TRX,PL	1
3	5000558	BEARING,BALL,6205-2RSCT,25MM ID,TRX	2
4	5000674	O-RING,SIZE-137,BUNA-N	0
5	6000052	SEAL,CASSETTE,IDLER WHEEL,TRX/TSX	1

2001173, ASM,CAST IDLER WHEEL,OUTER,6",TRX/TSX

UNCONTROLLED DOCUMENT IF PRINTED

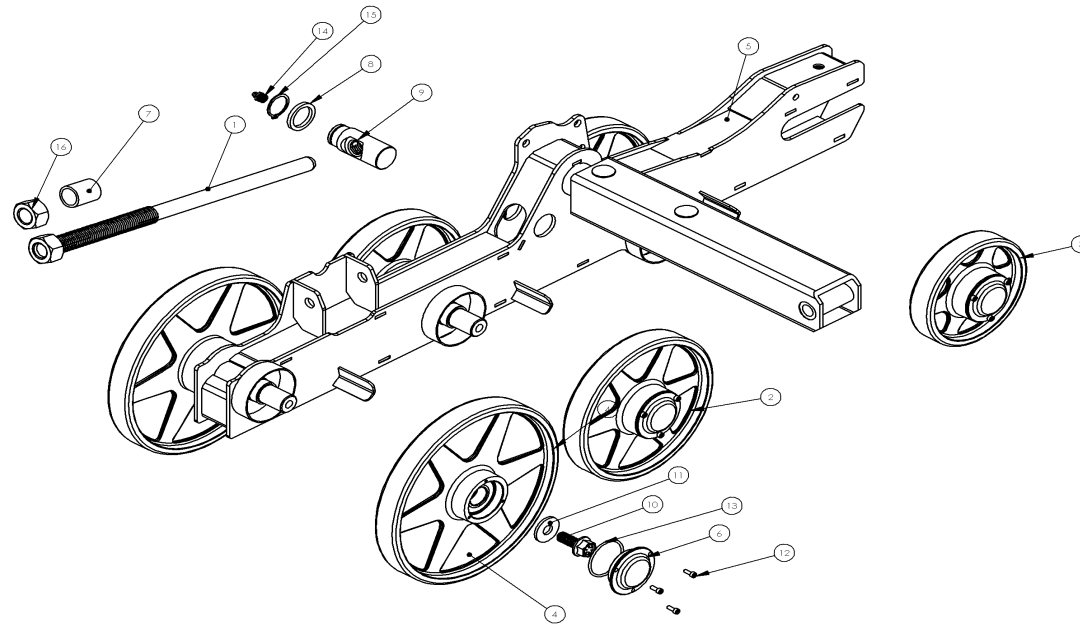


TITLE:	Assem, Cast Idler Wheel, Outer, 6 in
PART NO.:	2001173

Ref#	Part#	Description	Qty
1	1500021	WHEEL,CAST IRON,BLK,6"OD,TRX561/766	1
2	3104112	BEARING SPACER,TRACK WHEEL,TRX,PL	1
3	5000558	BEARING,BALL,6205-2RSCT,25MM ID,TRX	2
4	5000674	O-RING,SIZE-137,BUNA-N	0
5	6000052	SEAL,CASSETTE,IDLER WHEEL,TRX/TSX	1

2001546, ASM,AXLE AND IDLERS,RH,SWT

UNCONTROLLED DOCUMENT IF PRINTED

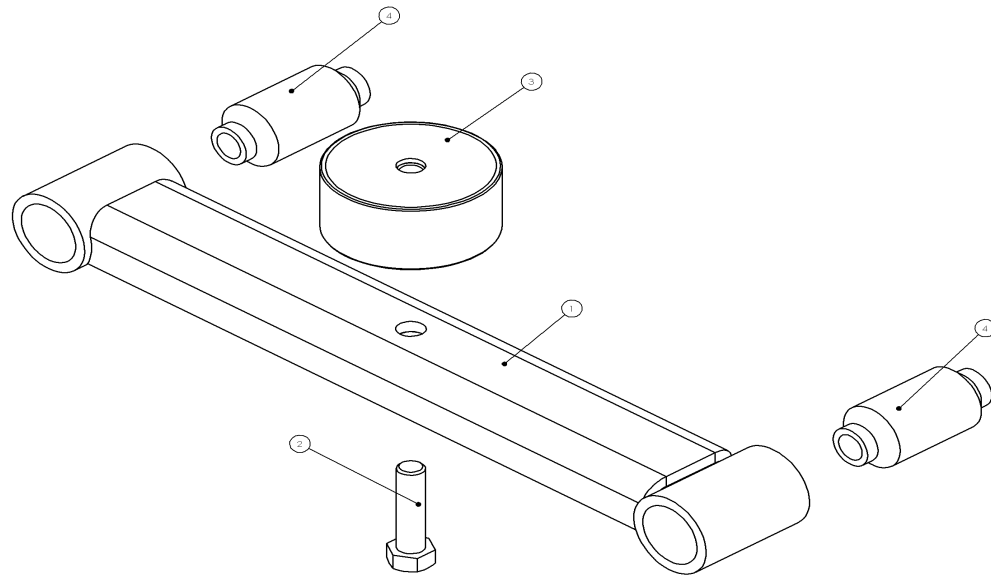


TITLE:	Assem, Axle and Idlers, RH, Switch
PART NO.:	2001546

Ref#	Part#	Description	Qty
1	1201188	WELD,THREADED TRACK TENSION ROD,SWT	1
2	2001077	ASM,CAST IDLER WHEEL,OUTER,8",TRX/TSX	3
3	2001173	ASM,CAST IDLER WHEEL,OUTER,6",TRX/TSX	1
4	2001213	ASM,CAST IDLER WHEEL,OUTER,10",TRX766	2
5	2001547	ASM,WALKING BEAM/AXLE TUBE,RH,SWT	1
6	3106379	HUB CAP,TRACK WHEEL,6061 ALUM	6
7	3107026	SPACER,TRACK TENSION SHAFT,1.375",ZY,SWT	1
8	3107225	SHIM WASHER,TRACK TENS PIVOT,7GA,SWT	1
9	3107226	PIVOT BUSHING,TRK TENS BOLT,ZY,3",SWT	1
10	5000243	BOLT, PKG QTY 5	6
11	5000261	WASHER	6
12	5000567	SCREW, PKG QTY 10	18
13	5000577	O-RING,SIZE-134,BUNA-N	6
14	5000734	GREASE FIT,STRAIGHT,1/8"NPT,ZY	1
15	5000840	SNAP RING,EXTERNAL RETAINING,1-1/8",ZY	1
16	5000841	NUT,7/8"-9,HEX FINISH FULL,GR2,ZY	1

2001549, ASM,FRONT SUSPENSION ARM,SWT

UNCONTROLLED DOCUMENT IF PRINTED

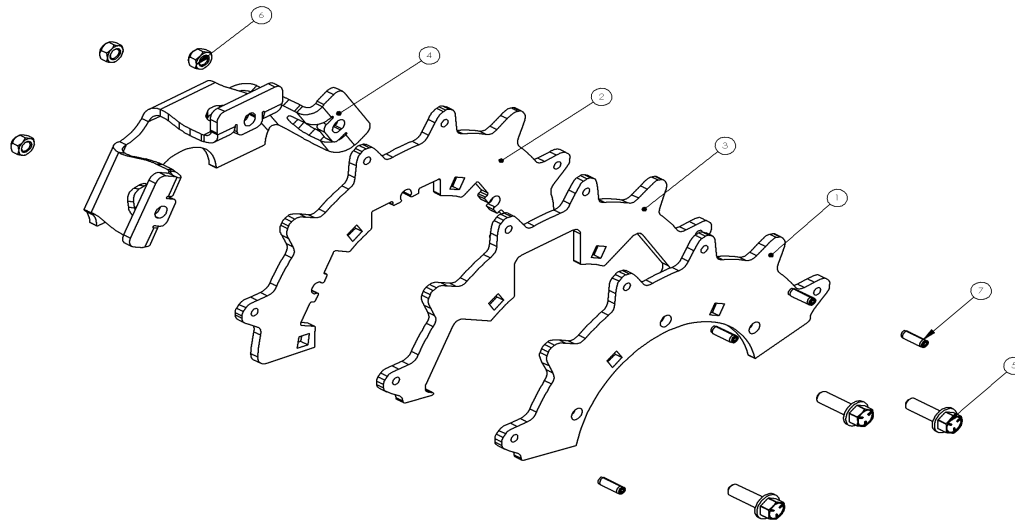


TITLE:	Assem, Front Susp Arm, Swt
PART NO.:	2001549

Ref#	Part#	Description	Qty
1	1201194	WELD,FRONT SUSPENSION ARM,SWT	1
2	5000835	SCREW,1/2"-13X2",HHCS,GR5,ZY	1
3	5500073	RUBBER BUMPER W/STEEL,1/2-13 TH,3.125"OD	1
4	5500097	RUBBER BUSHING,LEAF SPRING,1.38"ODX3"	2

2001556, ASM, HALF WHEEL, OUTER, SPROCKET STYLE, SWT

UNCONTROLLED DOCUMENT IF PRINTED

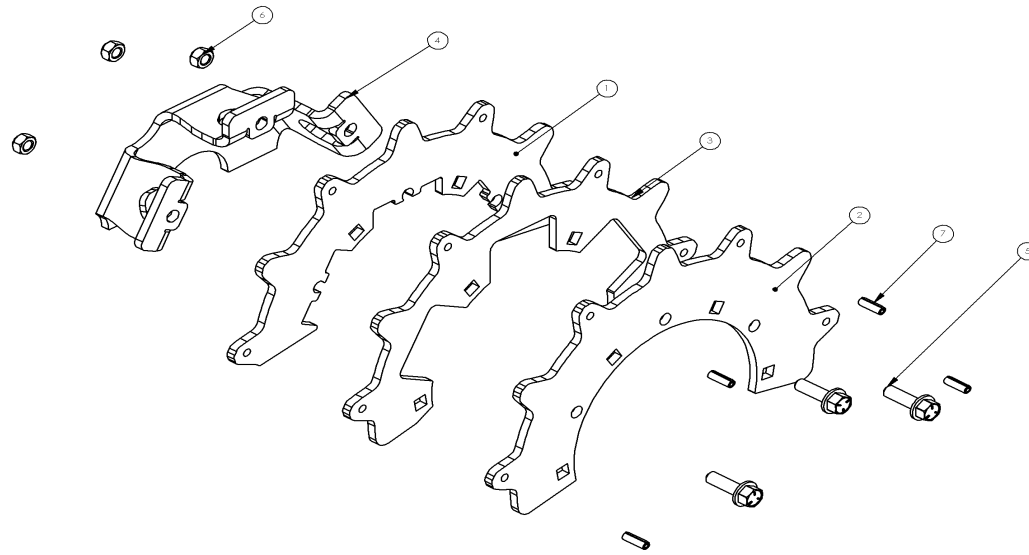


TITLE:	Half Wheel, Outer, Sprocket Style Drive, Swl
PART NO.:	2001556

Ref#	Part#	Description	Qty
1	3107228	INNER RING, OUTER DRV WHEEL, 13P, .25", SWT	1
2	3107229	OUTER RING, OUTER DRV WHEEL, 13P, .25", SWT	1
3	3107230	MID RING, OUTER DRIVE WHEEL, 13P, .25", SWT	1
4	3107234	CENTER HUB, SPROCKET DRIVE TRACK, .25", SWT	1
5	5000185	BOLT	3
6	5000634	NUT, PKG QTY 20	3
7	5000876	SPRING, PIN, COILED, .25"X.75", PL	4

2001557, ASM, HALF WHEEL, INNER, SPROCKET STYLE, SWT

UNCONTROLLED DOCUMENT IF PRINTED



TITLE:	Half Wheel, Inner, Sprocket Style Drive, Sw1
PART NO.:	2001557

Ref#	Part#	Description	Qty
1	3107231	OUTER RING,INNER DRV WHEEL,13P,.25",SWT	1
2	3107232	INNER RING,INNER DRV WHEEL,13P,.25",SWT	1
3	3107233	MID RING,INNER DRIVE WHEEL,13P,.25",SWT	1
4	3107234	CENTER HUB,SPROCKET DRIVE TRACK,.25",SWT	1
5	5000185	BOLT	3
6	5000634	NUT, PKG QTY 20	3
7	5000876	SPRING,PIN,COILED,.25"X.75",PL	4