



PARTS MANUAL

**FLEET
FREEDOM
FREEDOM 2+2**

ELITE
LITHIUM

10059119-A

SERVICE PARTS MANUAL

ELECTRIC POWERED VEHICLE

FLEET FREEDOM FREEDOM 2+2

STARTING MODEL YEAR 2024

Never modify the vehicle in any way that will alter the weight distribution of the vehicle, decrease its stability or increase the speed beyond the factory specifications. Such modifications can cause serious personal injury or death. Textron Specialized Vehicles prohibits and dis-claims responsibility for any such modifications or any other alteration which would adversely affect the safety of the vehicle.

TSV reserves the right to incorporate engineering and design changes to products in this manual, without obligation to include these changes on units sold previously.

The information contained in this manual may be revised periodically by TSV, and therefore is subject to change without notice.

TSV DISCLAIMS LIABILITY FOR ERRORS IN THIS MANUAL, and SPECIFICALLY DISCLAIMS LIABILITY FOR INCIDENTAL AND CONSEQUENTIAL DAMAGES resulting from the use of the information and materials in this manual.

These are the original instructions as defined by 2006/42/EC.

TO CONTACT US:

Textron Specialized Vehicles, Inc.
1451 Marvin Griffin Road
Augusta, Georgia, USA 30906-3852

NORTH AMERICA:

Technical Assistance & Warranty PHONE: 1-800-774-3946, FAX: 1-800-448-8124

Service Parts PHONE: 1-888-438-3946, FAX: 1-800-752-6175

International: PHONE: 001-706-798-4311, FAX: 001-706-771-4609

General Information

To obtain a copy of the limited warranty applicable to the vehicle, call or write a local Distributor, authorized Branch or the Warranty Department with vehicle serial number and manufacturer code.

The use of non Original Equipment Manufacturer (OEM) approved parts may void the warranty.

BATTERY PROLONGED STORAGE

All batteries will self discharge over time. The rate of self discharge varies depending on the ambient temperature and the age and condition of the batteries.

BATTERY DISPOSAL

Lithium-ion batteries are recyclable. Return discarded batteries to distributor, manufacturer or contact your local recycling center for instructions. Dispose in accordance with local, state and federal regulations for Lithium-ion batteries. Contact local or state environmental authorized people for the disposal information.

Table of Contents

| SECTION | Page No. |
|-------------------------------------------|-----------------|
| How to Use the Service Parts Manual | V |
| Pedals | A - 1 |
| Battery Charger | B - 1 |
| Body | C - 1 |
| Brakes | D - 1 |
| Electrical | E - 1 |
| Electronic Speed Control | F - 1 |
| Frame | G - 1 |
| Front Suspension | H - 1 |
| Steering | J - 1 |
| Motor | K - 1 |
| Rear Axle | L - 1 |
| Rear Suspension | M - 1 |
| Seating | N - 1 |
| Tow Bar | P - 1 |
| Weather Protection | R - 1 |
| Wheels and Tires | T - 1 |
| Decals and Labels | U - 1 |

Notes

How to Use the Service Parts Manual

This manual is divided into several sections:

- GENERAL INFORMATION
- ILLUSTRATED PARTS BREAKDOWN

The first section, GENERAL INFORMATION, contains the following information:

- WARRANTY INFORMATION
- TABLE OF CONTENTS
- HOW TO USE THE SERVICE PARTS MANUAL

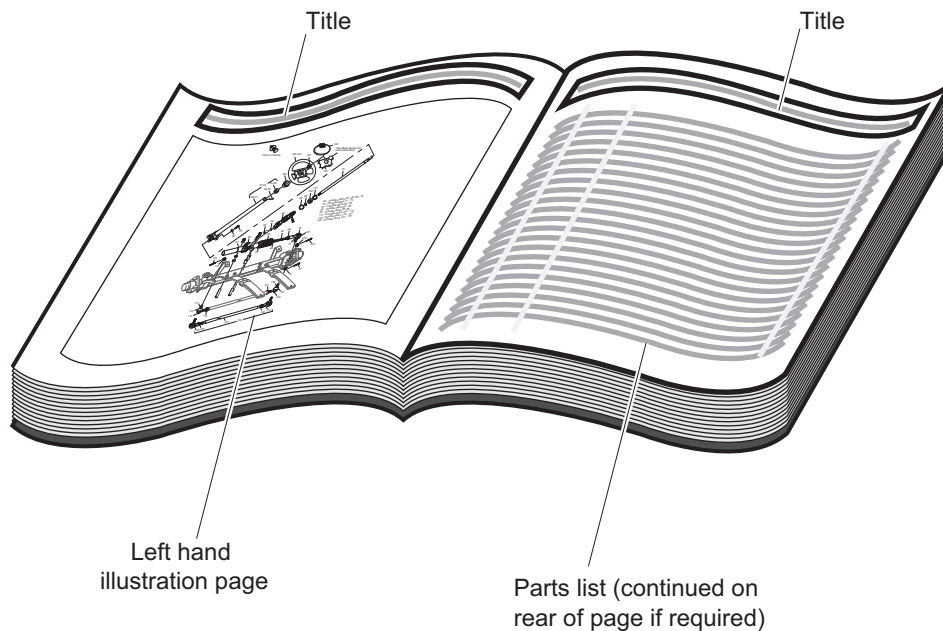
The second section, ILLUSTRATED PARTS BREAKDOWN, contains illustrations and parts lists for all systems of your vehicle.

USE OF THE MANUAL

To use this manual, consult the TABLE OF CONTENTS to locate the information or illustration required.

Introduction of some revisions varies due to supply of components; therefore, it is possible that various combinations of components may be found that are not directly reflected by each illustration. Consult the illustration that best suits your situation and then contact the Service Parts Department. It is important that the serial number or VIN of your vehicle and the model name be supplied to Service Parts when ordering any replacement components.

How to Use the Service Parts Manual



1. WHEN THE PART NUMBER IS NOT KNOWN

- Determine the function and application of the part required. Turn to the Table of Content and select the most appropriate title.
- Turn to the page number indicated and locate the desired part on the illustration.
- From the illustration, obtain the item number assigned to the desired part. Refer to the accompanying description for specific information regarding the part.

2. IF YOU KNOW THE PART NUMBER

- Locate the part number or description in the appropriate column on the parts list page.

NOTE: It is suggested that you confirm that the part selected is correct by verifying it with the pictorial representation on the illustrated page.

Should an asterisk (*) appear in the part number column on the parts list page, read upwards until a part number is found. The part number is the lowest assembly sold by Service Parts and the asterisk (*) indicates that the part depicted is not available for purchase.

NOTE: Descriptions are indented under the assembly that they are used on. That assembly is, in turn listed under the assembly that it is used on. This process is repeated until the highest final assembly is reached.

How to Use the Service Parts Manual

3. COLOR CODE FOR BODY COMPONENTS

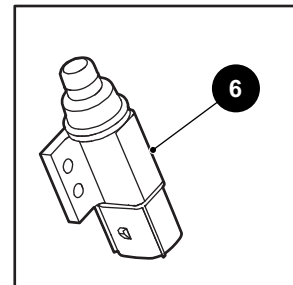
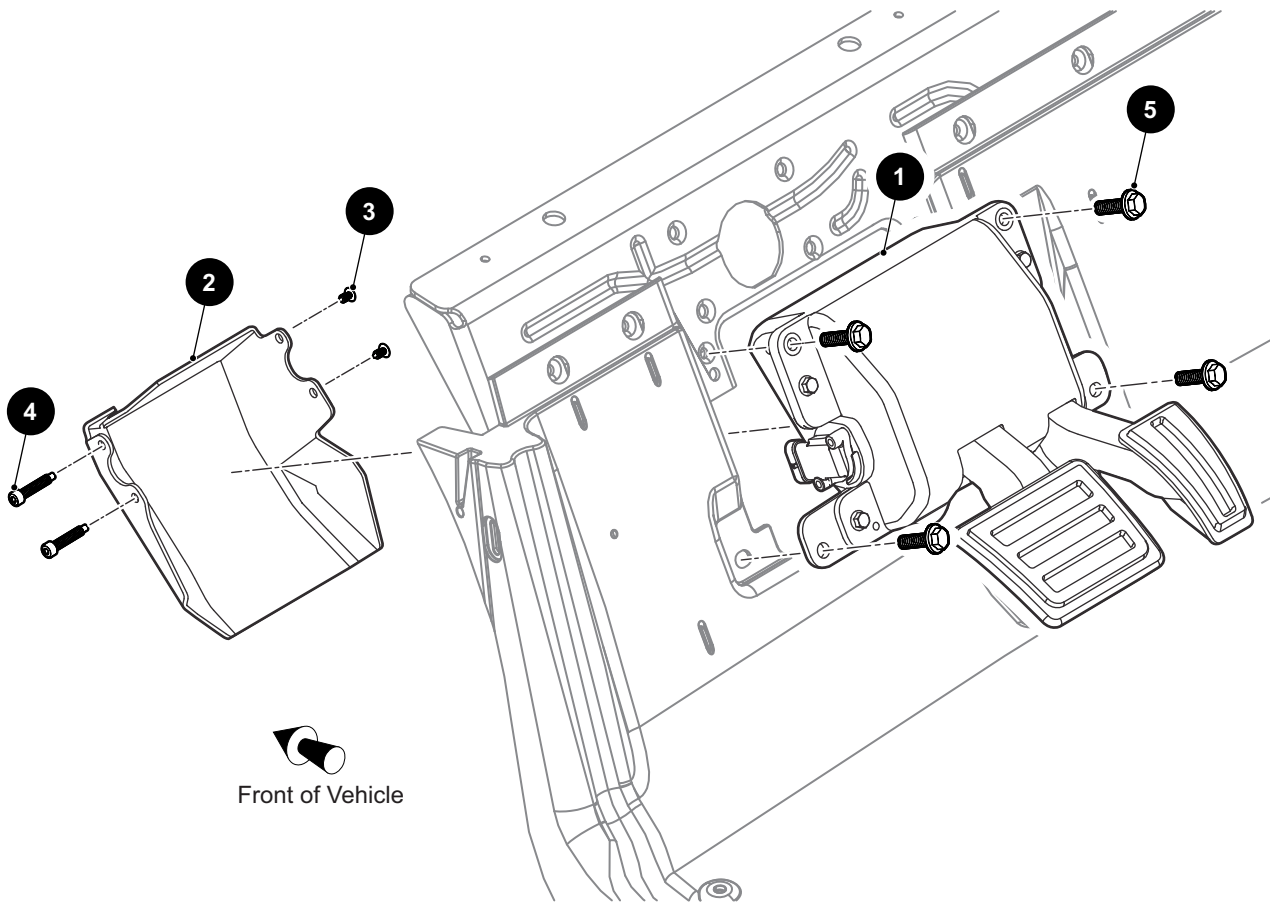
The last two digits of the part number for the body part will denote the color code, locate the part number for the cowl, rear body, seat pod, side panel or seat wrap then locate your color in the list below, replace the last ** or XX with the two digit color code.

| <u>CODE #</u> | <u>DESCRIPTION</u> |
|----------------------|---------------------------|
| 11 | BLACK |
| 19 | PATRIOT BLUE PEARL |
| 20 | INFERNO RED METALLIC |
| 31 | METALLIC CHARCOAL |
| 35 | SAFETY YELLOW |
| 36 | IVORY |
| 37 | FOREST GREEN |
| 38 | BRIGHT WHITE |
| 39 | FLAME RED |
| 41 | ELECTRIC BLUE |
| 42 | PLATINUM |
| 43 | BURGUNDY |
| 44 | ALMOND |
| 51 | SUNBURST ORANGE |
| A5 | OCEAN GRAY |
| A6 | TRUMP PEARL WHITE |
| A7 | SLATE GRAY |

4. GENERAL INFORMATION

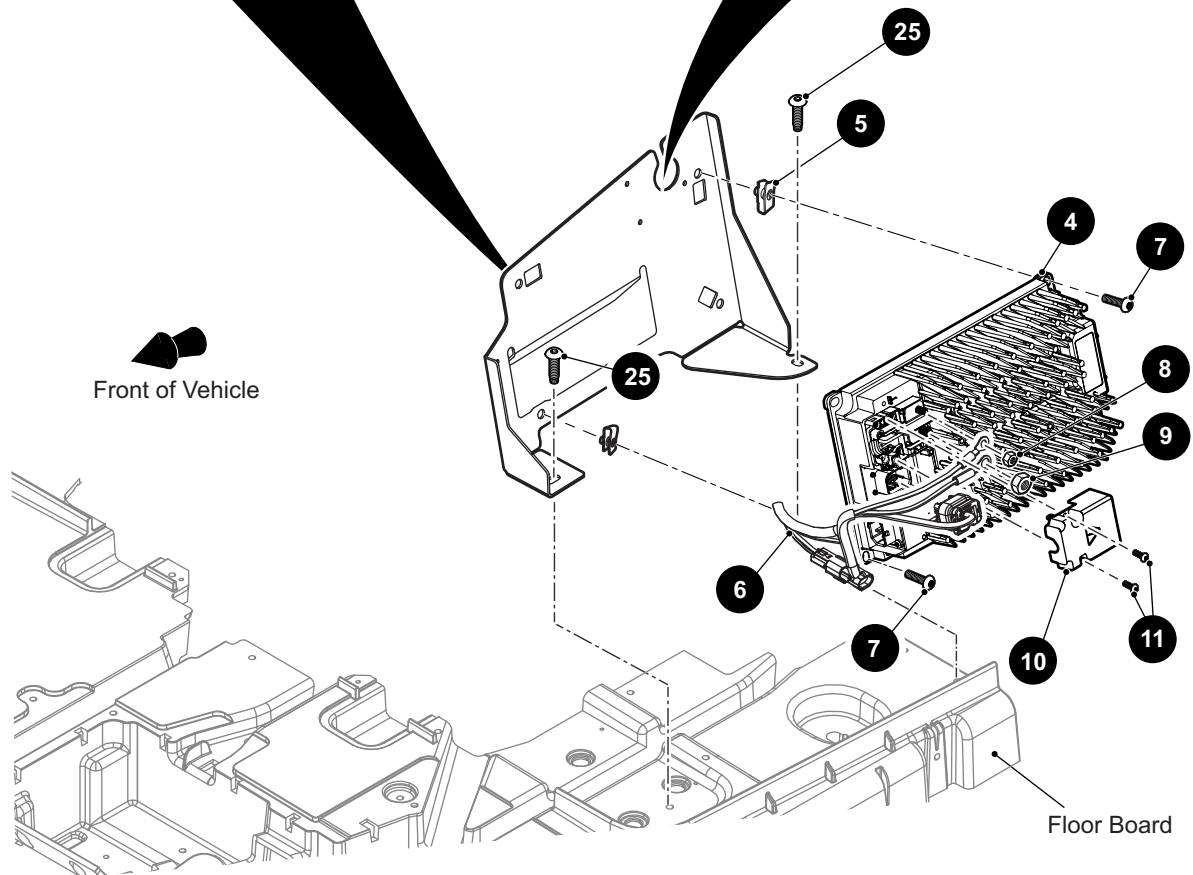
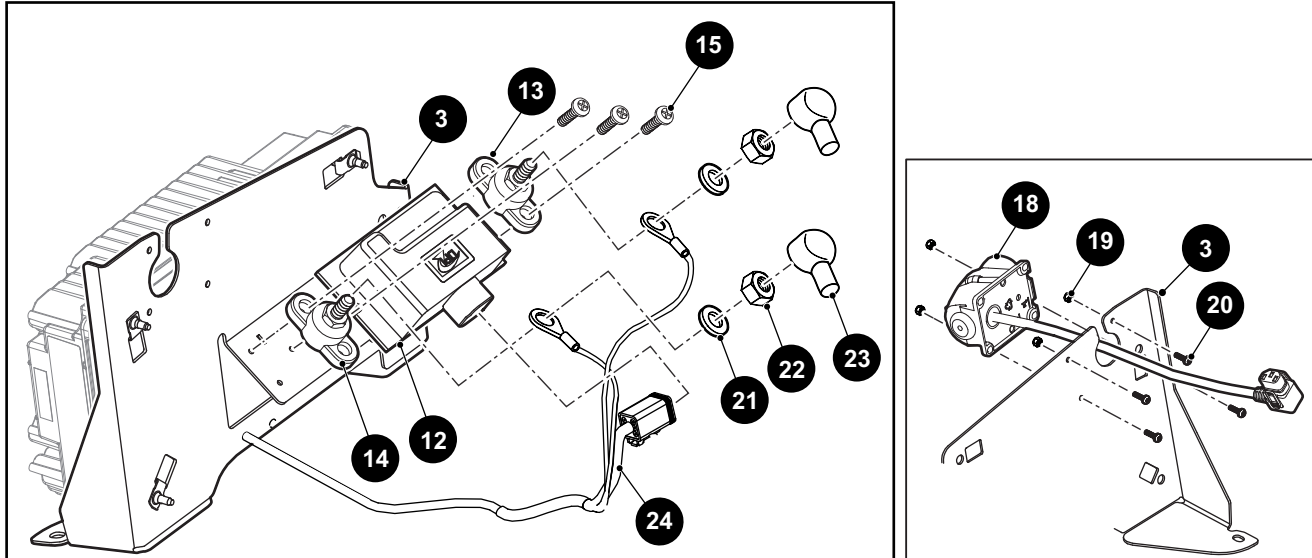
- THE USE OF NON U.L. PARTS WILL VOID ANY U.L. LISTING.
- When ordering parts, please specify the model and serial number of the product.
- If Part number * Indicates a component that is not available as an individual part.
- If Part number *** Indicates consult Customer Service Department for additional information.

To facilitate the maintenance and repair of the vehicle, service manuals are available from the manufacturer.

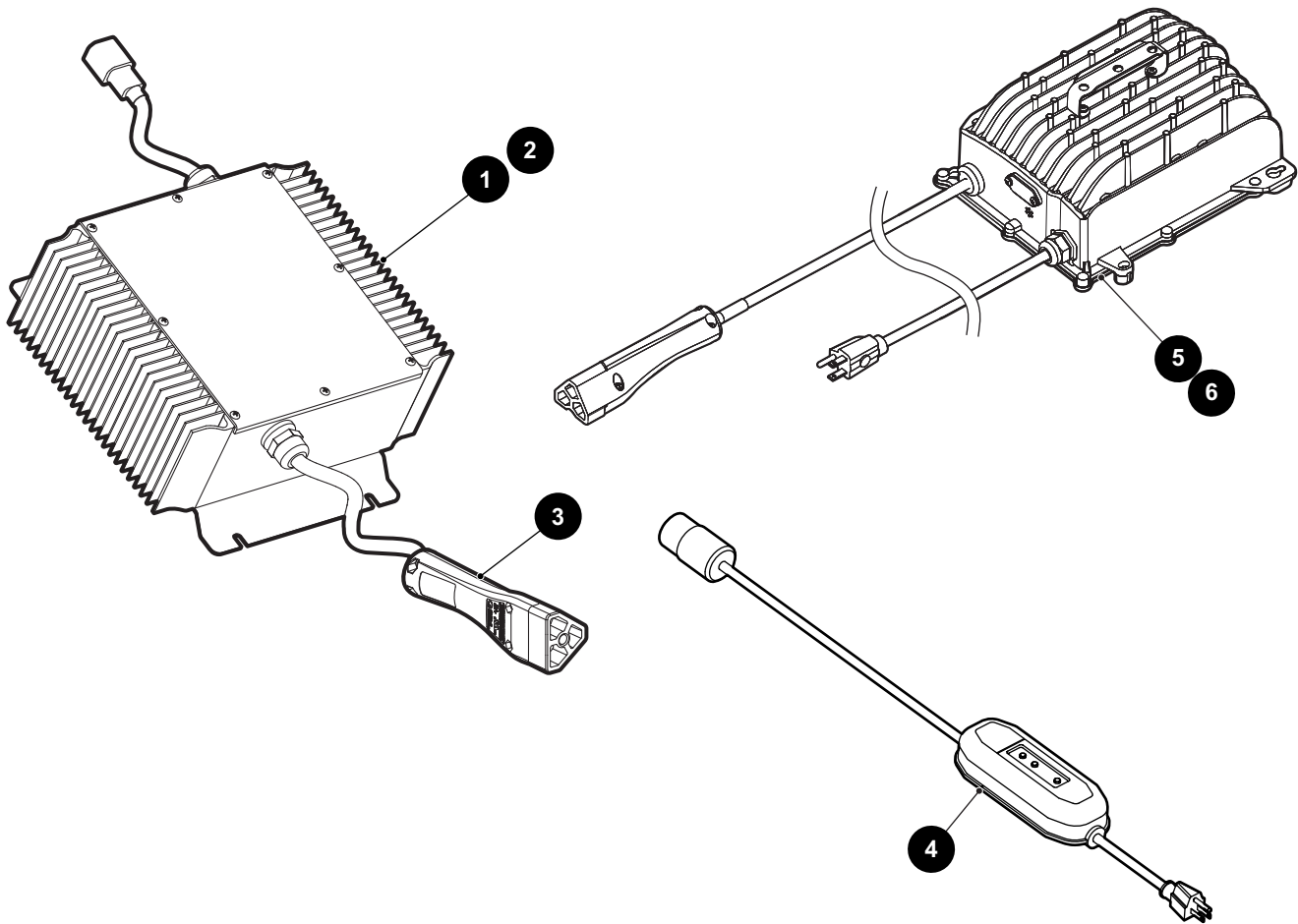


| ITEM | PART NO. | QTY. | DESCRIPTION | NOTES |
|------|----------|------|--------------------------------------------|---------|
| 1 | 10002019 | 1 | Hanging Pedals | |
| 2 | 10010054 | 1 | Hanging Pedals Cover | |
| 3 | 16816G5 | 2 | Ratchet Rivet, .187" x .550" | |
| 4 | 71102G01 | 2 | Hex Head Washer Bolt, 1/4" - 20 x 3/4" Lg | Grade 5 |
| 5 | 10025814 | 4 | Pan Head Taptite Bolt, M8 - 1.25 x 30mm Lg | |
| 6 | 612889 | 2 | Pedal Switch | |

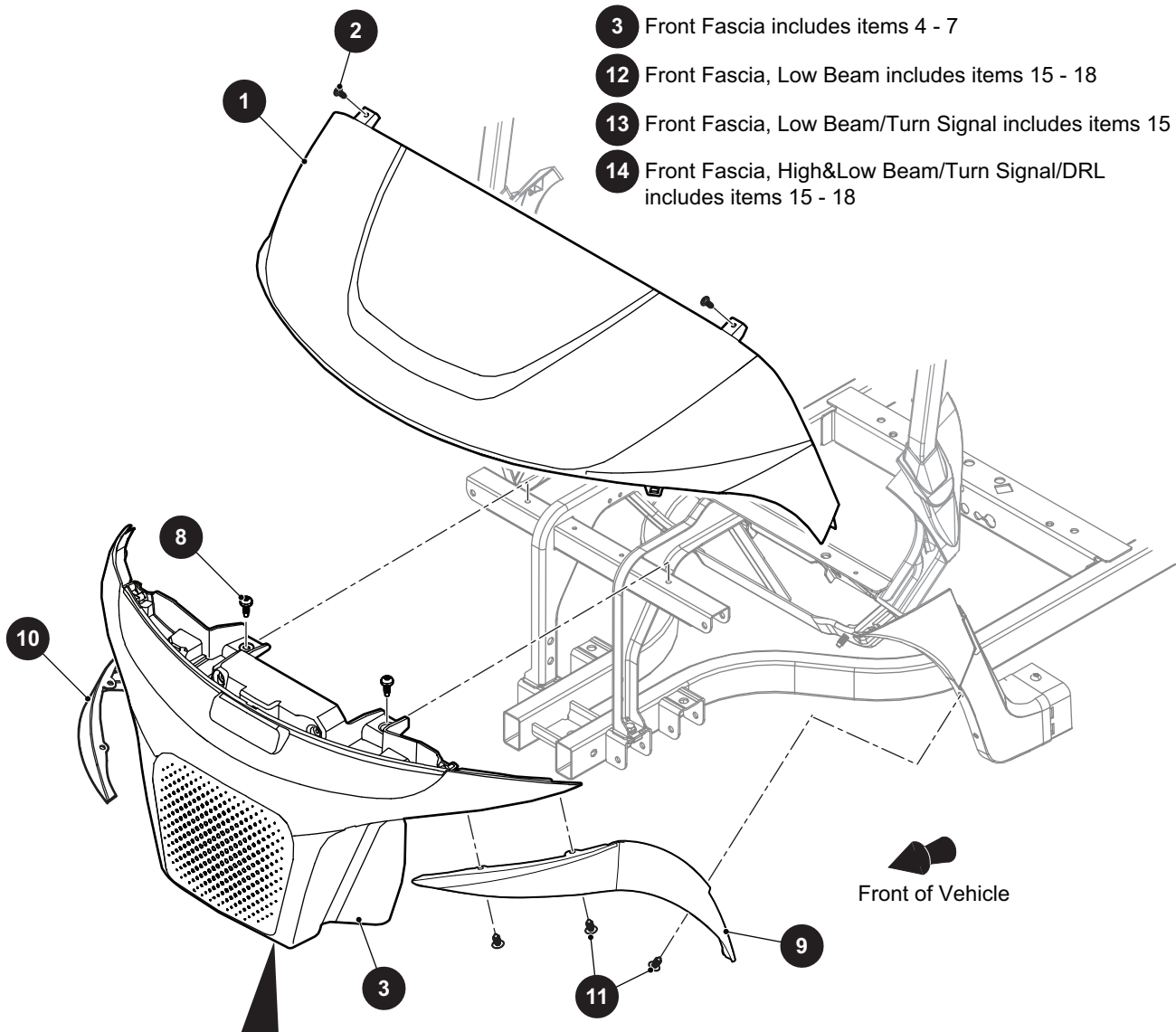
- 1 On-board Charger Assembly with DC-DC Converter includes items 3 - 15
- 2 On-board Charger Assembly without DC-DC Converter includes items 3 - 11
- 17 Receptacle Installation Kit includes items 18 - 20



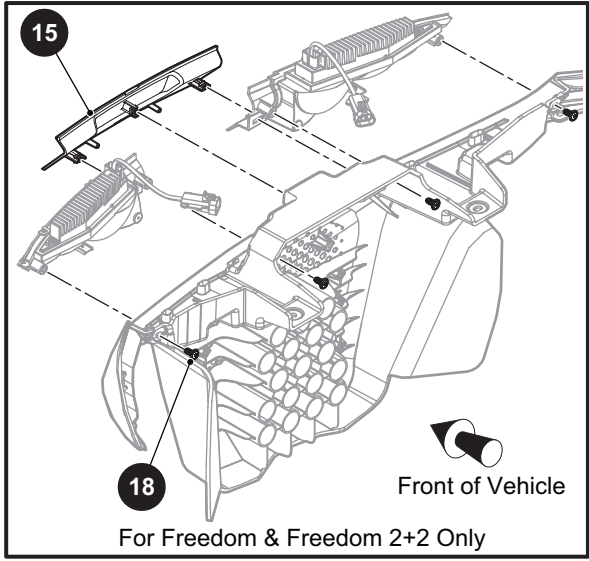
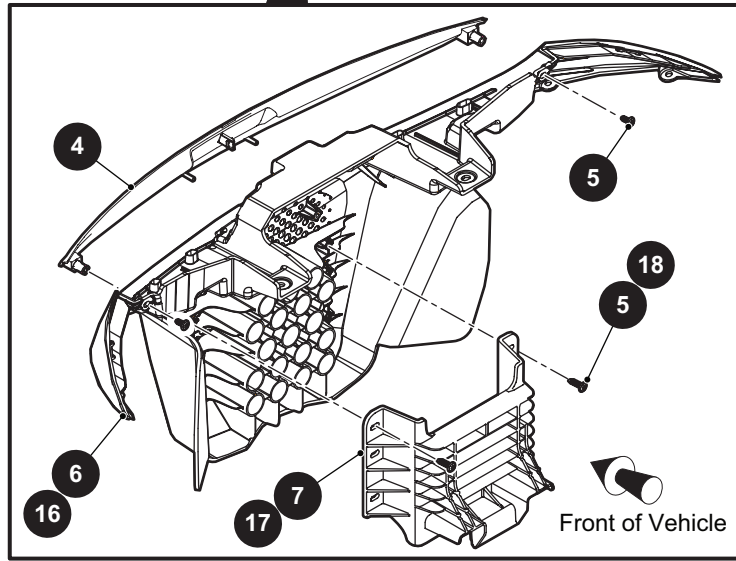
| ITEM | PART NO. | QTY. | DESCRIPTION | NOTES |
|------|-------------|------|---------------------------------------------------|----------------------------------------|
| 1 | 10023145G01 | 1 | On-board Charger Assembly with DC-DC Converter | Includes Items 3 - 15 |
| 2 | 10023145G02 | 1 | On-board Charger Assembly without DC-DC Converter | For Fleet (Includes Items 3 - 11) |
| 3 | 10030332 | 1 | • On-board Charger Bracket | |
| 4 | 673928 | 1 | • On-board Charger | |
| 5 | * | 4 | • Barrel Clip, M6 - 1 | |
| 6 | 10023158 | 1 | • Charger Harness | |
| 7 | 634161 | 4 | • Flanged Button Head Torx Bolt | M6 - 1 x 30mm Lg |
| 8 | 10008717 | 1 | • Lock Nut, M6 | Negative Side |
| 9 | 10008718 | 1 | • Lock Nut, M8 | Positive Side |
| 10 | 10008712 | 1 | • Terminal Cover | |
| 11 | 10008716 | 2 | • Thread Forming Screw, M4 - .7 x 8mm Lg | |
| 12 | 10000543 | 1 | • DC-DC Converter | |
| 13 | 662824G01 | 1 | • Terminal Stud, Red | |
| 14 | 662824G02 | 1 | • Terminal Stud, Black | |
| 15 | 632372 | 6 | • Tapping Screw, #10 - 32 x 3/4" Lg | |
| 16 | 31539G1 | 1 | Nylon Clamp, 15.5" Lg | Not Illustrated |
| 17 | 10031854 | 1 | Receptacle Installation Kit | Includes items 18 - 20 |
| 18 | 10030671 | 1 | • Receptacle | |
| 19 | 14390G10 | 4 | • Lock Nut, #10 - 24 | |
| 20 | * | 4 | • Pan Head Phillips Screw, #10 - 24 x 3/4" Lg | |
| 21 | 00559G8 | 2 | Flat Washer, 5/16" | |
| 22 | 00702G2 | 2 | Hex Nut, 5/16" - 18 | |
| 23 | 25682G01 | 2 | Terminal Boot | For Fleet Only |
| 24 | 608182 | 1 | DC-DC Converter Harness | For Fleet Only |
| 25 | 649804 | 2 | Button Head Torx Screw, M8 - 3.5 x 30mm Lg | |
| 26 | 10011035 | 1 | Light Control Harness | For Freedom & 2+2 (Not Illustrated) |
| 27 | 10021930 | 1 | Turn Signal Controller | For Freedom & 2+2 (Not Illustrated) |



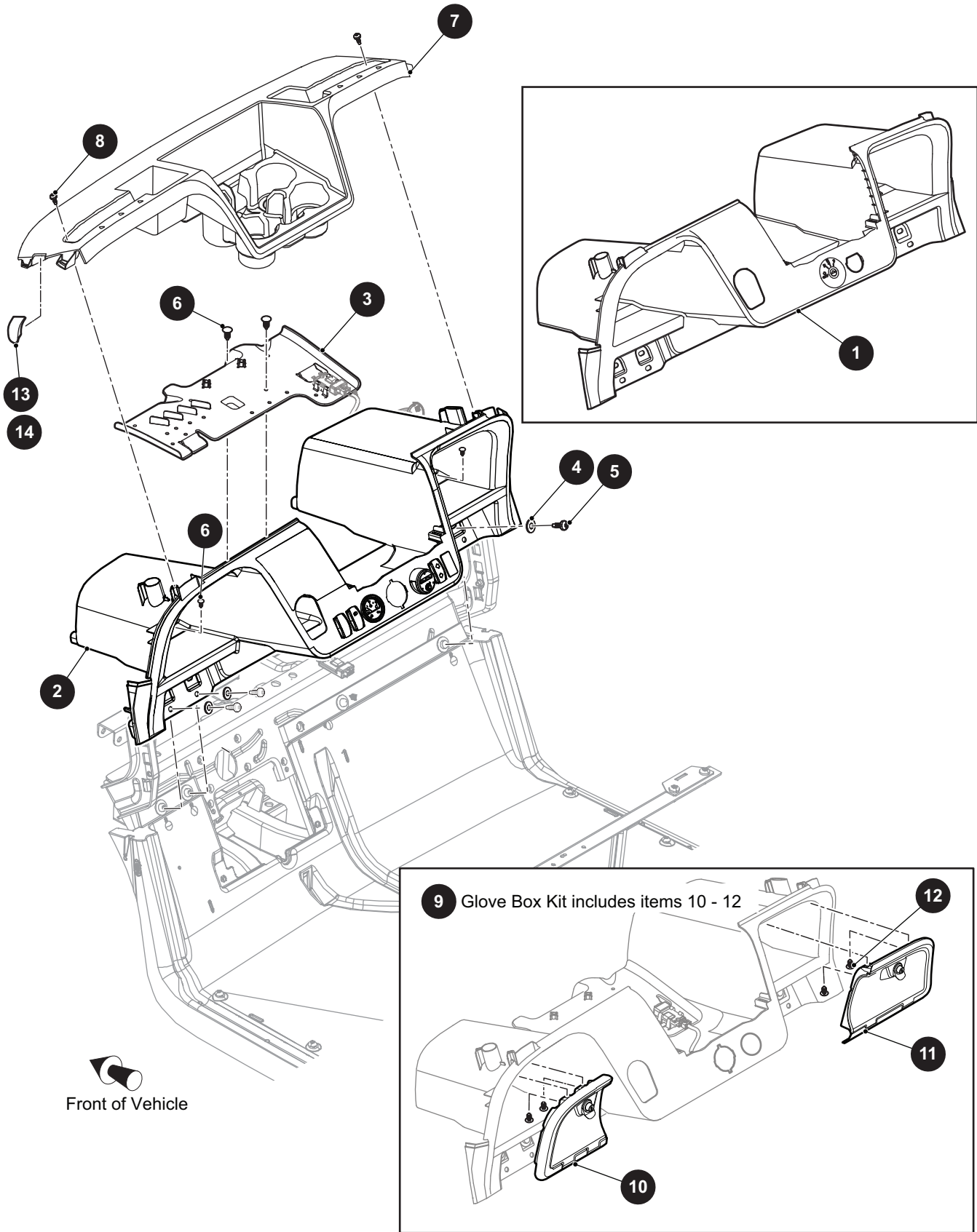
| ITEM | PART NO. | QTY. | DESCRIPTION | NOTES |
|------|-------------|------|-----------------------------------------|------------------------------------|
| 1 | 10004916 | 1 | Battery Charger, 3 Meter Cord | |
| 2 | 10004924 | 1 | Battery Charger, 5.5 Meter Cord | |
| 3 | 657667 | 1 | Battery Charger Paddle | |
| 4 | 652608 | 1 | Charger Cord, 5 Meter | For Vehicles with On-board charger |
| 5 | 10009053G04 | 1 | Battery Charger, 350 Watt, 3 Meter Cord | International |
| 6 | 10009053G03 | 1 | Battery Charger, 350 Watt, 3 Meter Cord | Domestic |



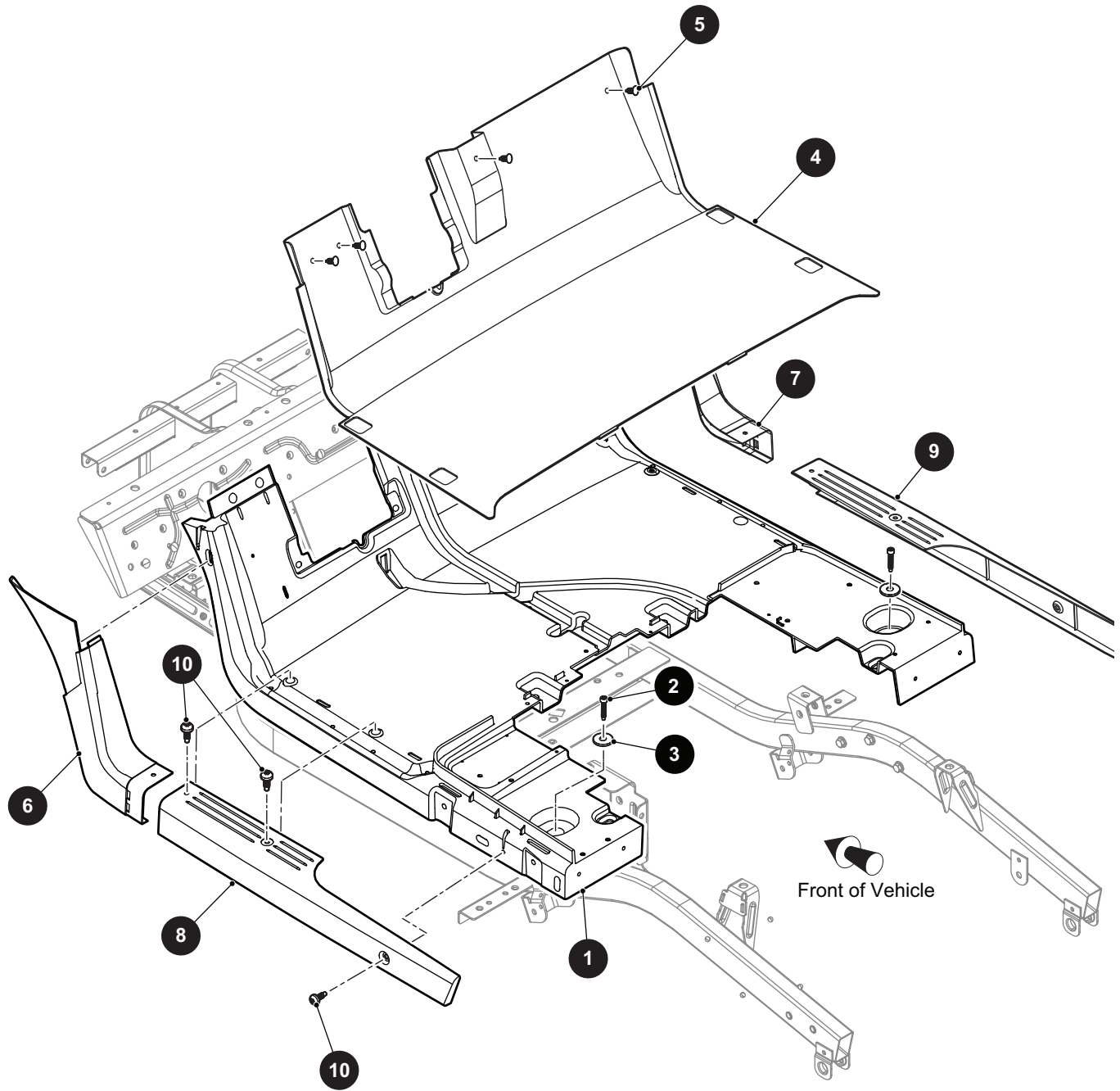
- 3** Front Fascia includes items 4 - 7
- 12** Front Fascia, Low Beam includes items 15 - 18
- 13** Front Fascia, Low Beam/Turn Signal includes items 15 - 18
- 14** Front Fascia, High&Low Beam/Turn Signal/DRL includes items 15 - 18



| ITEM | PART NO. | QTY. | DESCRIPTION | NOTES |
|---------------------------------------------------------|---------------|------|----------------------------------------------|------------------------|
| 1 | 10028209G00XX | 1 | Cowl (See COLOR CODES in HOW TO USE section) | |
| 2 | 10033018 | 2 | Plastite Screw, M6 - 2.14 x 20mm Lg | |
| Items 3 - 11 for Fleet Only | | | | |
| 3 | 10019410G00 | 1 | Front Fascia Assembly | Includes Items 4 - 7 |
| 4 | 10038318 | 1 | • Front Grille Assembly | |
| 5 | 10033018 | 8 | • Plastite Screw, M6 - 2.14 x 20mm Lg | |
| 6 | 10034004 | 1 | • Fascia Bumper | |
| 7 | 10003348 | 1 | • Front Bumper Mount | |
| 8 | 70200G01 | 2 | Truss Head Torx Bolt, 3/8" - 16 x 3/4" Lg | |
| 9 | 10030095G02 | 1 | Front Fender Flare | Passenger Side |
| 10 | 10030095G01 | 1 | Front Fender Flare | Driver Side |
| 11 | 667790 | 8 | Removable Rivet | Plastic |
| Items 12 - 18 for Freedom & Freedom 2+2 Only | | | | |
| 12 | 10019410G01 | 1 | Front Fascia, Low Beam | Includes Items 15 - 18 |
| 13 | 10019410G02 | 1 | Front Fascia, Low Beam/Turn Signal | Includes Items 15 - 18 |
| 14 | 10019410G03 | 1 | Front Fascia, High&Low Beam/Turn Signal/DRL | Includes Items 15 - 18 |
| 15 | 10046050 | 1 | • Short Front Grille Assembly | |
| 16 | 10034004 | 1 | • Fascia Bumper | |
| 17 | 10003348 | 1 | • Front Bumper Mount | |
| 18 | 10033018 | 10 | • Plastite Screw, M6 - 2.14 x 20 mm Lg | |

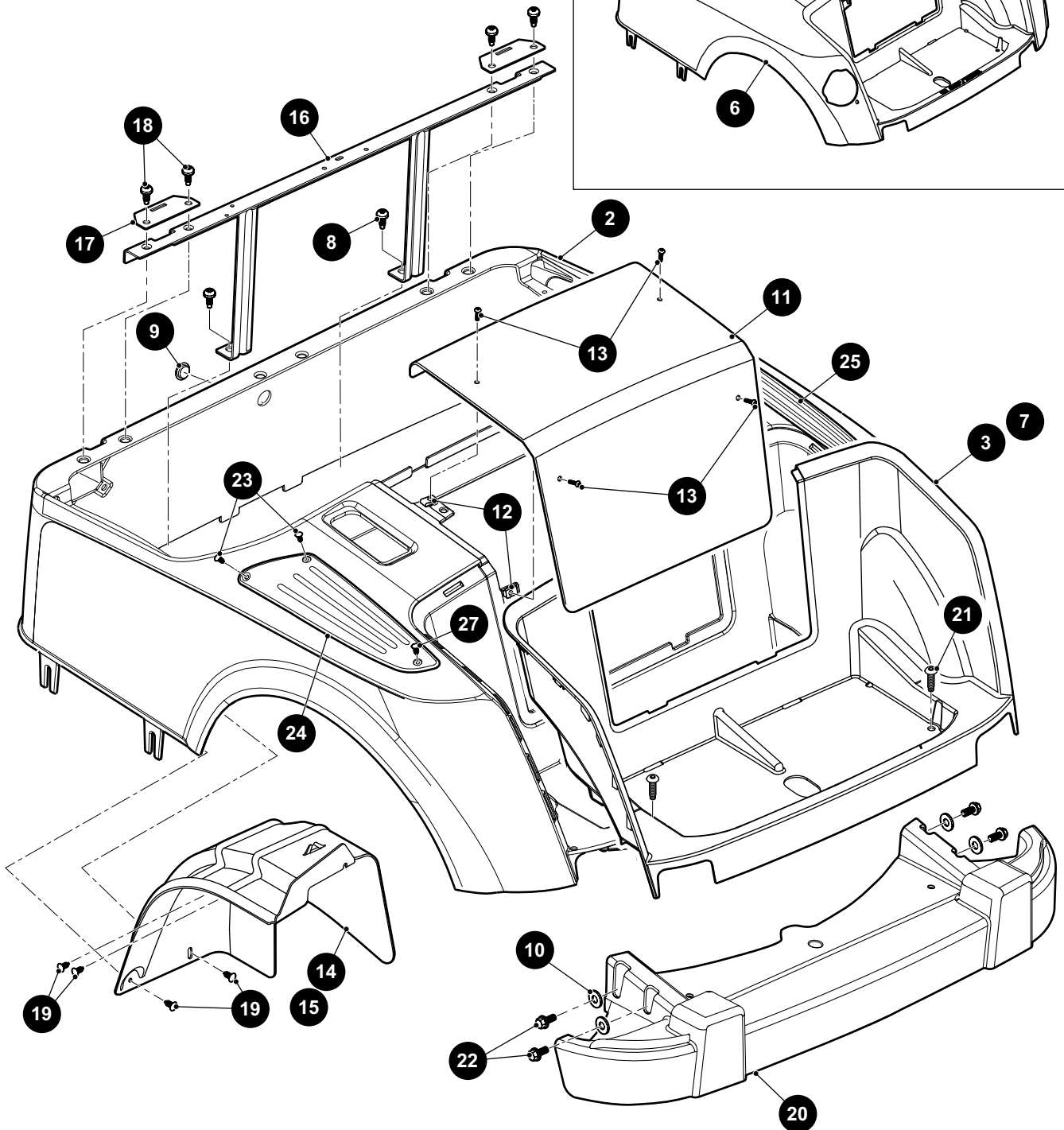


| ITEM | PART NO. | QTY. | DESCRIPTION | NOTES |
|------|-------------|------|-------------------------------------------------------------------------------------|----------------------------------------------------|
| 1 | 10017469 | 1 | Instrument Panel Trim (Opening for Key Switch Only) | For Fleet Only |
| 2 | 10047958G05 | 1 | Instrument Panel Trim (Opening for Key Switch, SOC, USB, Horn, Lights, Turn Signal) | Refer "Electrical" section for Switch Part Numbers |
| 3 | 10031946 | 1 | Mount Plate | |
| 4 | 604066 | 4 | Flat Washer, M10 | Steel |
| 5 | 10025814 | 4 | Pan Head Taptite Bolt, M8 - 1.25 x 30mm Lg | |
| 6 | 16816G2 | 5 | Ratchet Rivet, .25" x .887" | |
| 7 | 10037834 | 1 | Cupholder Insert | |
| 8 | 10033018 | 2 | Plastite Screw, M6 - 2.14 x 20mm Lg | |
| 9 | 10015380 | 1 | Glove Box Kit | Includes Items 10 - 12 |
| 10 | 10015262 | 1 | • Glove Box Assembly | Driver Side |
| 11 | 10015264 | 1 | • Glove Box Assembly | Passenger Side |
| 12 | 16816G2 | 8 | • Ratchet Rivet, .25" x .887" | |
| 13 | 10024810G01 | 1 | Front Strut Grommet, LH | For Vehicles Without Suntop |
| 14 | 10024810G02 | 1 | Front Strut Grommet, RH | For Vehicles Without Suntop |



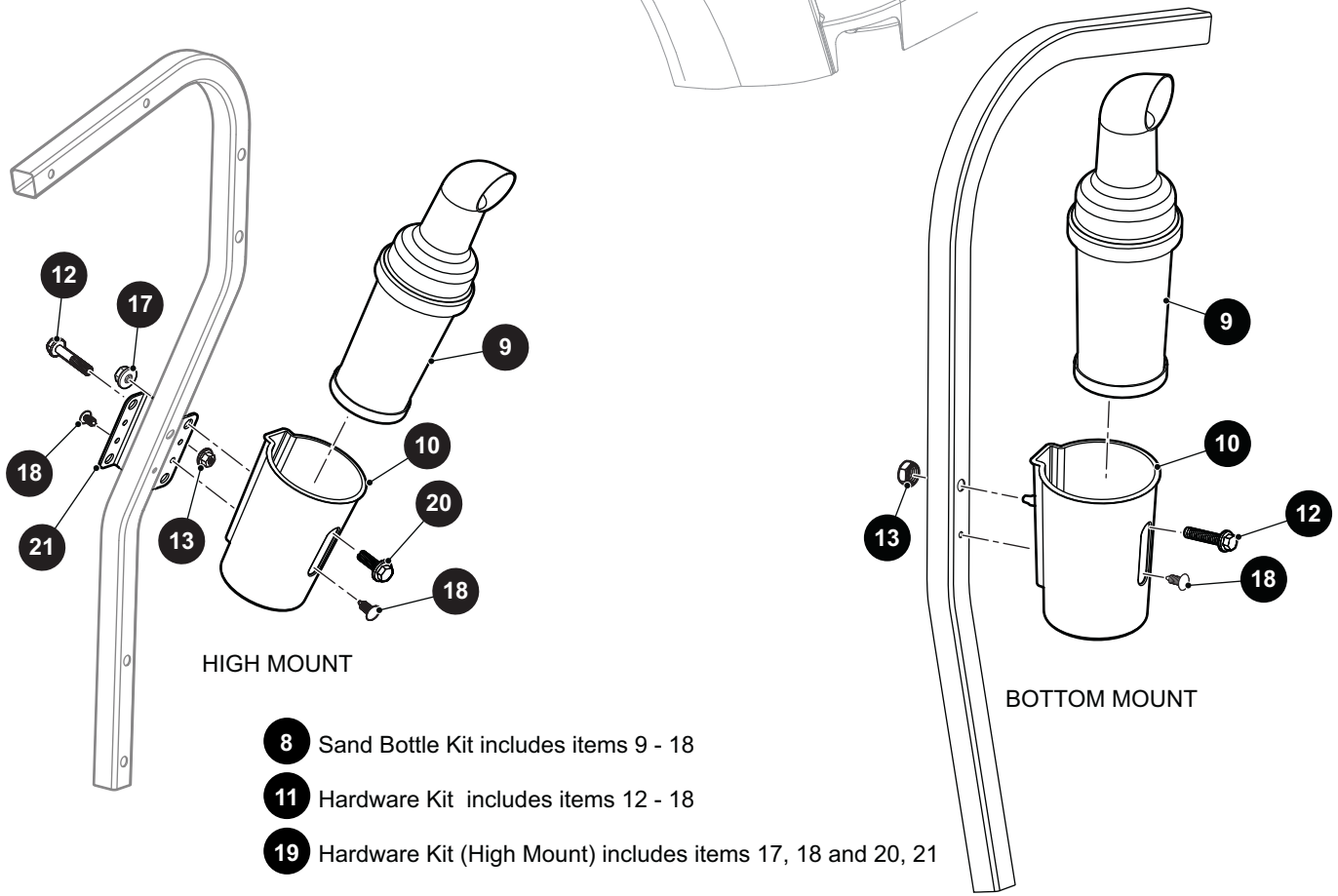
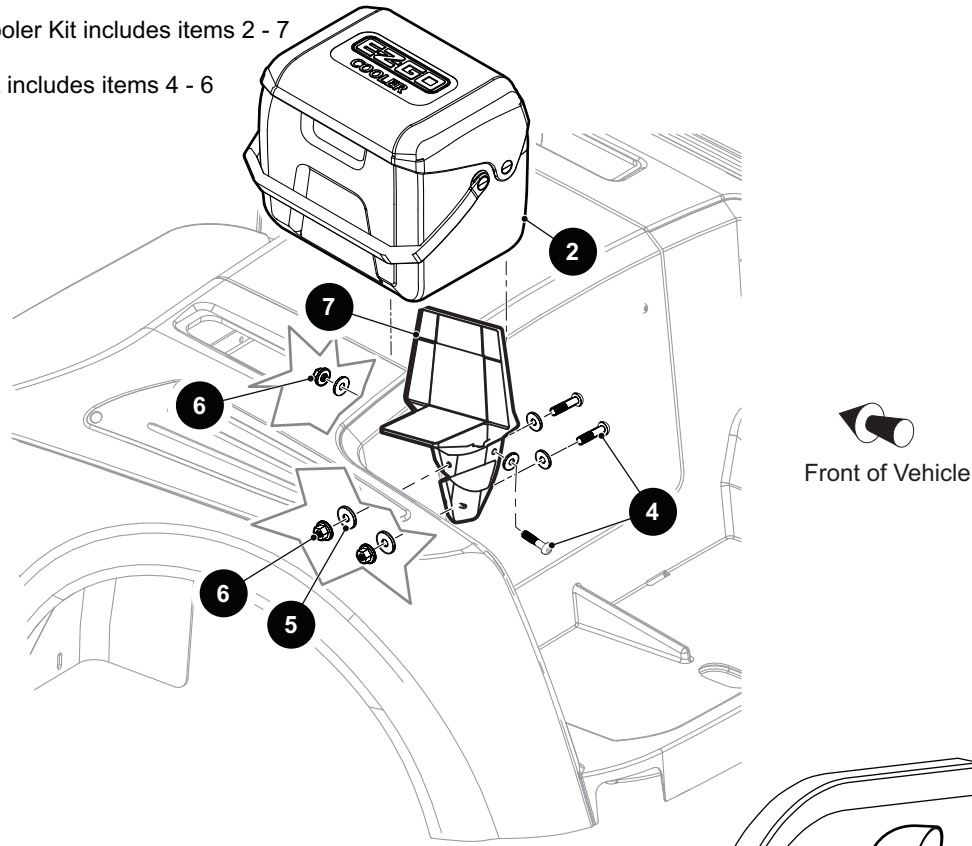
| ITEM | PART NO. | QTY. | DESCRIPTION | NOTES |
|------|-------------|------|--------------------------------------------|----------------|
| 1 | 10024752 | 1 | Floorboard | |
| 2 | 602020 | 2 | Socket Head Torx Bolt, M10 - 1.5 x 50mm Lg | Grade 8.8 |
| 3 | 604066 | 2 | Flat Washer, M10 | |
| 4 | 10011076 | 1 | Floormat | |
| 5 | 16816G1 | 4 | Ratchet Rivet, 25" x .680" | |
| 6 | 10037835G01 | 1 | Upper Rocker Panel | Driver Side |
| 7 | 10037835G02 | 1 | Upper Rocker Panel | Passenger Side |
| 8 | 10052252G01 | 1 | Lower Rocker Panel | Driver Side |
| 9 | 10052252G02 | 1 | Lower Rocker Panel | Passenger Side |
| 10 | 649804 | 6 | Button Head Torx Screw, M8 - 3.5 x 30mm Lg | |

- 1 Rear Body Assembly without Opening for Lights includes items 2, 3
- 4 Rear Body Assembly with Opening for Lights includes items 5 - 7
- 5 Rear Body Assembly with Opening for Lights includes items 6 - 7



| ITEM | PART NO. | QTY. | DESCRIPTION | NOTES |
|------|-------------|------|------------------------------------------------------------------------------------------|-------------------------------------------------------|
| 1 | 650353G00** | 1 | Rear Body Assembly without Opening for Lights (See COLOR CODES in HOW TO USE section) | Includes Items 2, 3 (For Fleet) |
| 2 | 650311G00** | 1 | • Body | |
| 3 | 650254 | 1 | • Bagwell Liner | |
| 4 | 650353G04** | 1 | Rear Body Assembly with Opening for Lights (See COLOR CODES in HOW TO USE section) | Includes Items 5 - 7 (For Freedom and Freedom 2+2) |
| 5 | 650353G00** | 1 | • Rear Body Assembly with Opening for Lights (See COLOR CODES in HOW TO USE section) | Includes Items 6 - 7 |
| 6 | 650311G00** | 1 | • • Body | |
| 7 | 650254 | 1 | • • Bagwell Liner | |
| 8 | 602572 | 2 | Pan Head Taptite Bolt, M10 - 1.5 x 25mm Lg | Grade 8.8 |
| 9 | 71316G01 | 1 | Plug | |
| 10 | 00643G1 | 4 | Flat Washer, 3/8" | |
| 11 | 650443 | 1 | Access Cover | |
| 12 | * | 4 | Barrel Clip, M6 - 1 | |
| 13 | 601326 | 4 | Button Head Torx Bolt, M6 - 1 x 20mm Lg | Grade 8.8 |
| 14 | 601621 | 1 | Rear Splash Guard | Driver Side |
| 15 | 601622 | 1 | Rear Splash Guard | Passenger Side |
| 16 | 601921 | 1 | Front Seat Support Assembly | |
| 17 | 602558 | 2 | Seat Hinge Plate | |
| 18 | 602572 | 4 | Pan Head Taptite Bolt, M10 - 1.5 x 25mm Lg | Grade 8.8 |
| 19 | 16816G2 | 8 | Ratchet Rivet, .25" x .887" | |
| 20 | 689702 | 1 | Rear Bumper | |
| 21 | 649804 | 2 | Button Head Torx Screw, M8 - 3.50 x 30mm Lg | |
| 22 | 603799 | 4 | Flanged Hex Head Bolt, M10 - 1.5 x 25mm Lg | Grade 8.8 |
| 23 | 16816G5 | 6 | Ratchet Rivet, .187" x .550" | For Fleet and Freedom |
| 24 | 639807G01 | 1 | Scuff Guard (Driver Side) | For Fleet and Freedom |
| 25 | 639807G02 | 1 | Scuff Guard (Passenger Side) | For Fleet and Freedom |

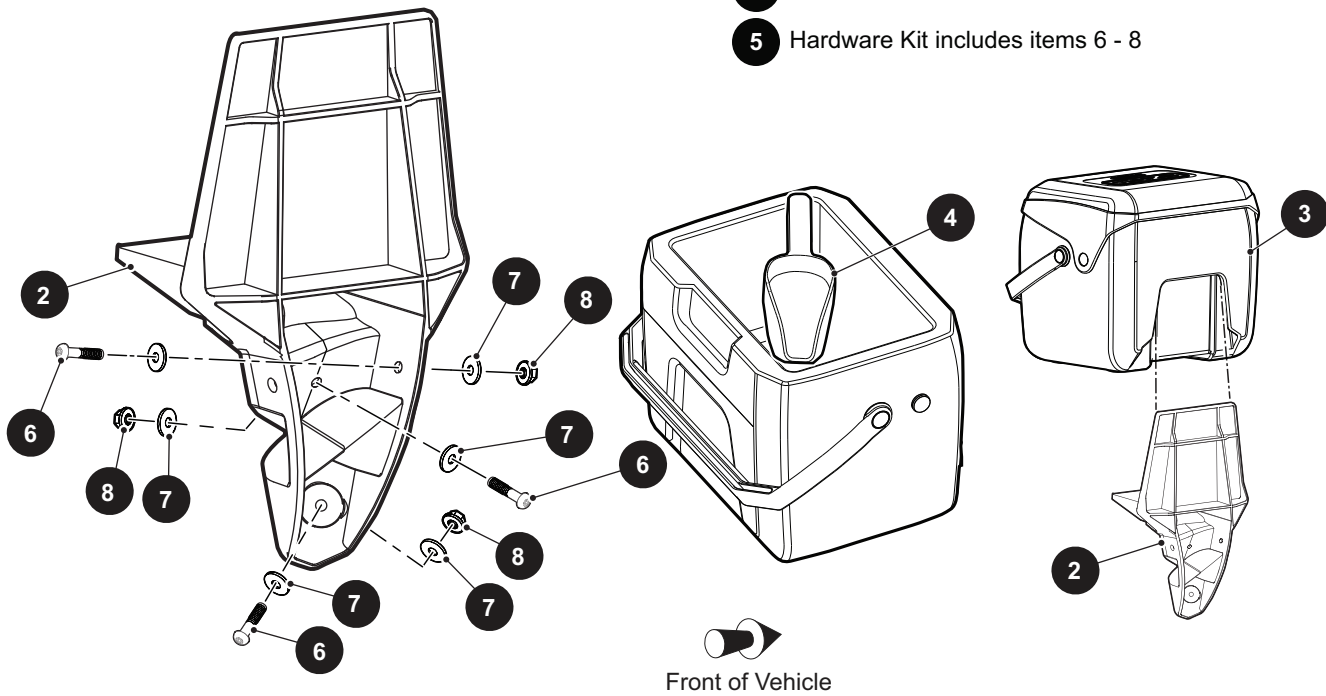
- 1** Beverage Cooler Kit includes items 2 - 7
- 3** Hardware Kit includes items 4 - 6



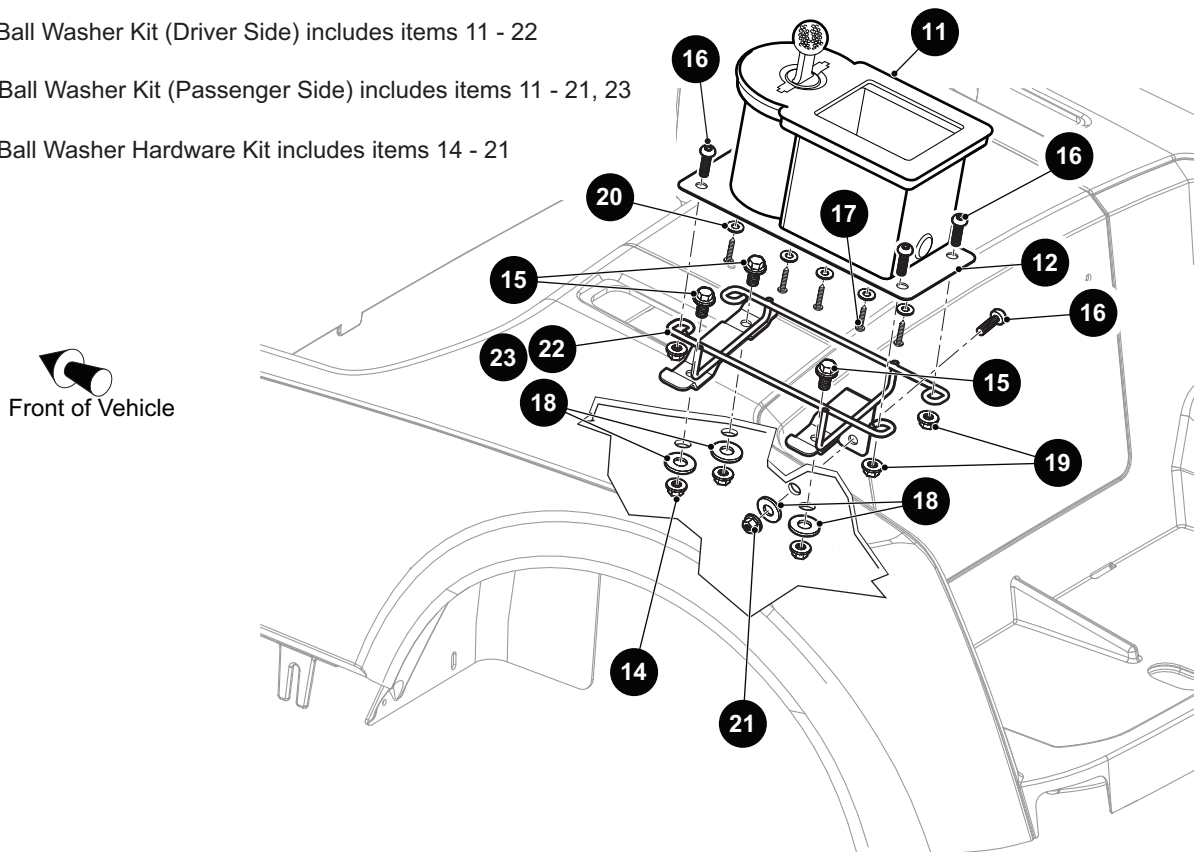
- 8** Sand Bottle Kit includes items 9 - 18
- 11** Hardware Kit includes items 12 - 18
- 19** Hardware Kit (High Mount) includes items 17, 18 and 20, 21

| ITEM | PART NO. | QTY. | DESCRIPTION | NOTES |
|------|----------|------|------------------------------------------------|----------------------------------|
| 1 | 689255 | 1 | Beverage Cooler Kit | Includes Items 2 - 7 |
| 2 | 658503 | 1 | • Beverage Cooler | |
| 3 | 689269 | 1 | • Hardware Kit | Includes Items 4 - 6 |
| 4 | * | 3 | • • Truss Head Bolt, M6 x 1 | |
| 5 | * | 6 | • • Flat Washer, M6 x 18 | |
| 6 | * | 3 | • • Lock Nut, M6 x 1 | |
| 7 | 689244 | 1 | • Universal Bracket | |
| 8 | 614179 | 1 | Sand Bottle Kit | Includes Items 9 - 18 |
| 9 | 600612 | 1 | • Sand Bottle | |
| 10 | 28660G01 | 1 | • Sand Bottle Holder | |
| 11 | 614191 | 1 | • Hardware Kit | Includes Items 12 - 18 |
| 12 | 603800 | 1 | • • Flanged Hex Head Bolt, M10 - 1.5x50mm Lg | Grade 8.8 |
| 13 | 800706 | 1 | • • Lock Nut, M10 - 1.5 | |
| 14 | 71102G01 | 1 | • • Hex Head Washer Bolt, 1/4" - 20 x 3/4" Lg | Grade 5 (Not Illustrated) |
| 15 | 602572 | 1 | • • Pan Head Taptite Bolt, M10 - 1.5 x 25mm Lg | Grade 8.8 (Not Illustrated) |
| 16 | * | 1 | • • Hex Head Bolt, 1/4" - 20 x 3/4" Lg | Not Illustrated |
| 17 | 600525 | 1 | • • Flanged Lock Nut, M10 - 1.5 | |
| 18 | 16816G2 | 1 | • • Ratchet Rivet, .25" x .887" | |
| 19 | 10029947 | 1 | Hardware Kit (High Mount) | Includes Items 17, 18 and 20, 21 |
| 20 | 603799 | 1 | • Flanged Hex Head Bolt, M10 - 1.5 x 25mm Lg | Grade 8.8 |
| 21 | 10030156 | 1 | • Bracket | |

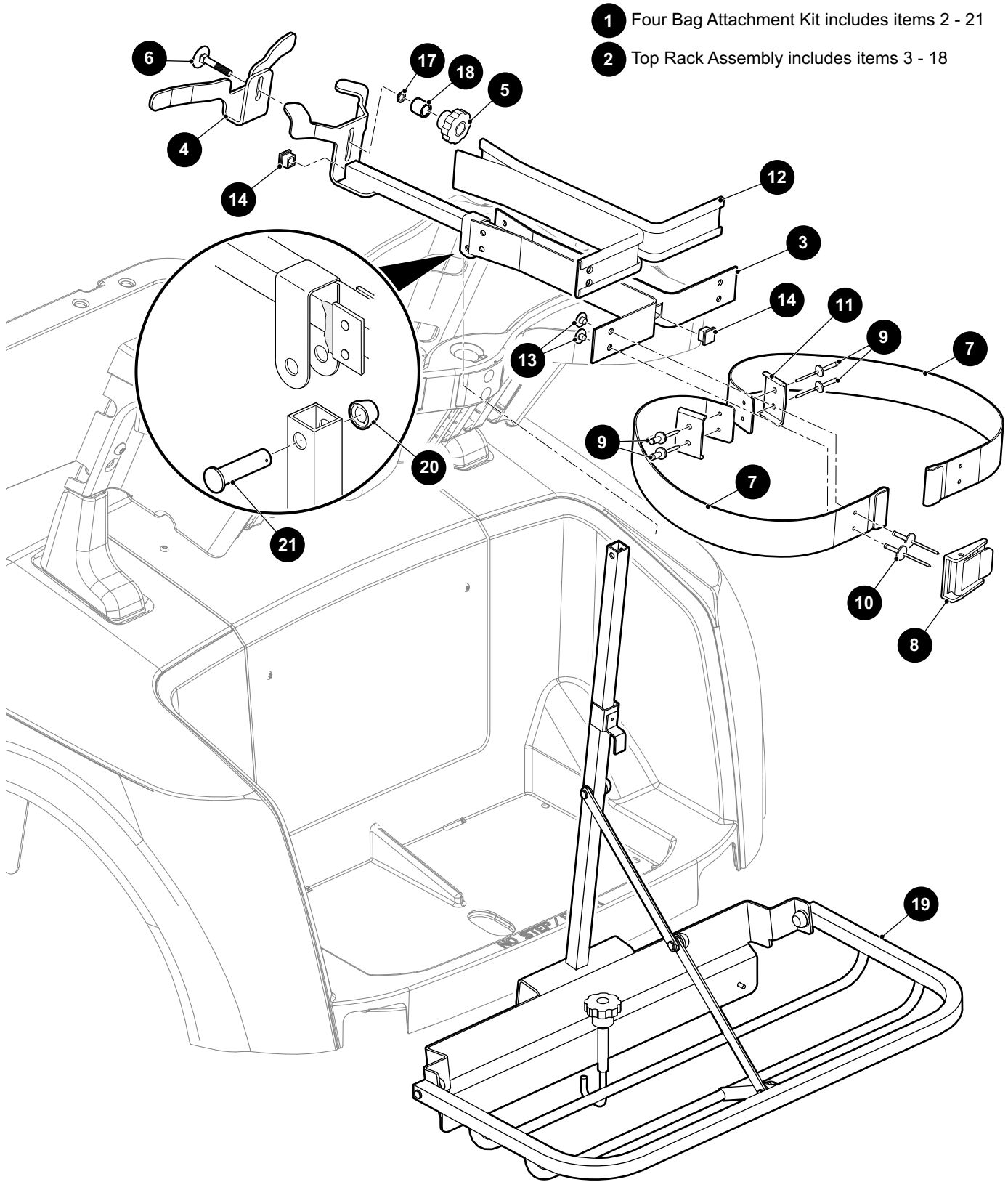
- 1** Sand Bucket Kit includes items 2 - 8
- 5** Hardware Kit includes items 6 - 8



- 9** Club and Ball Washer Kit (Driver Side) includes items 11 - 22
- 10** Club and Ball Washer Kit (Passenger Side) includes items 11 - 21, 23
- 13** Club and Ball Washer Hardware Kit includes items 14 - 21

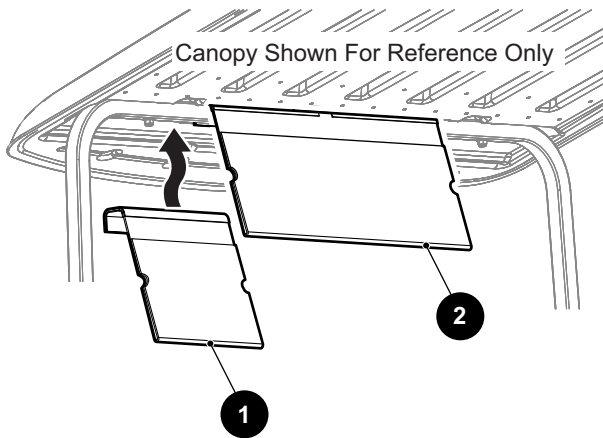


| ITEM | PART NO. | QTY. | DESCRIPTION | NOTES |
|------|----------|------|------------------------------------------------|----------------------------|
| 1 | 689254 | 1 | Sand Bucket Kit | Includes Items 2 - 8 |
| 2 | 689244 | 1 | • Bracket | |
| 3 | 662248 | 1 | • Sand Bucket | |
| 4 | 74848G01 | 1 | • Scoop | |
| 5 | 689269 | 1 | • Hardware Kit | Includes Items 6 - 8 |
| 6 | * | 3 | • • Truss Head Torx Bolts, M6 - 1 x 30mm Lg | |
| 7 | * | 6 | • • Flat Washer, M6 - 30 | |
| 8 | * | 3 | • • Hex Lock Nuts, M6 - 1 | |
| 9 | 643092 | 1 | Club and Ball Washer Kit (Driver Side) | Includes Items 11 - 22 |
| 10 | 643094 | 1 | Club and Ball Washer Kit (Passenger Side) | Includes Items 11 - 21, 23 |
| 11 | 603836 | 1 | • Club and Ball Washer | |
| 12 | 604384 | 1 | • Club and Ball Washer Plate | |
| 13 | 643161 | 1 | • Club and Ball Washer Hardware Kit | Includes Items 14 - 21 |
| 14 | 606274 | 3 | • • Flanged Hex Nut, M10 - 1.25 | |
| 15 | 606256 | 3 | • • Flanged Hex Head Bolt, M10-1.25x25mm Lg | Grade 8.8 |
| 16 | 600530 | 5 | • • Button Head Torx Bolt, M10 - 1.5 x 25mm Lg | Grade 8.8 |
| 17 | 608732 | 5 | • • Pan Head Phillips Screw, M8 | |
| 18 | 608520 | 4 | • • Flat Washer, M10 | |
| 19 | 600525 | 4 | • • Lock Nut, M10 - 1.5 | |
| 20 | 608747 | 5 | • • Flat Washer, M6 x 1.5 | |
| 21 | 614974 | 1 | • • Torque Nut, M10 - 1.5 | |
| 22 | 643091 | 1 | • Mounting Bracket | Driver Side |
| 23 | 643093 | 1 | • Mounting Bracket | Passenger Side |

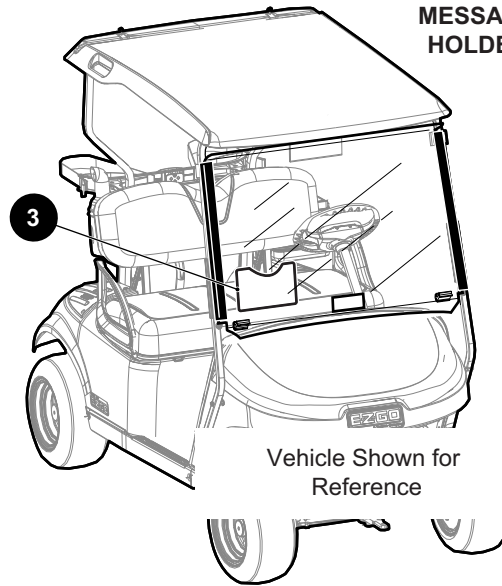


| ITEM | PART NO. | QTY. | DESCRIPTION | NOTES |
|------|----------|------|---------------------------------------|-----------------------|
| 1 | 646547 | 1 | Four Bag Attachment Kit | Includes Items 2 - 21 |
| 2 | 646557 | 1 | • Top Rack Assembly | Includes Items 3 - 18 |
| 3 | 646556 | 1 | • • Top Mount Rack | |
| 4 | 608939 | 1 | • • Under Mount Bracket | |
| 5 | 75337G01 | 1 | • • Knob, 5/16" - 18 | |
| 6 | 00724G5 | 1 | • • Elevator Bolt, 5/16" - 18 x 2" Lg | |
| 7 | 17641G1 | 2 | • • Strap | Four Bag Rack |
| 8 | 16920G1 | 2 | • • Strap Retainer Assembly | |
| 9 | 17226G1 | 4 | • • Rivet, .255" x .246" | |
| 10 | 15058G1 | 4 | • • Rivet, .191" x.183" | Aluminum |
| 11 | 16610G1 | 2 | • • Anchor Plate | |
| 12 | 14643G3 | 2 | • • Vinyl Extrusion | |
| 13 | 16935G1 | 4 | • • Tee Nut | |
| 14 | 19859G1 | 2 | • • Tube Cap, 3/4" Sq | |
| 15 | 17618G1 | 2 | • • Nylon Clamp, 8" Lg | Not Illustrated |
| 16 | 14382G7 | 2 | • • Strip (Noise Suppressor) | Not Illustrated |
| 17 | 00567G8 | 1 | • • Lock Washer, 5/16" | External Tooth Type |
| 18 | 75048G04 | 1 | • • Spacer | |
| 19 | 647152 | 1 | • Bottom Rack Assembly | |
| 20 | 28129G01 | 1 | • Cap Nut, 5/16" | Plastic |
| 21 | 17651G2 | 1 | • Clevis Pin, 5/16" x 1.25" | |

MESSAGE HOLDER

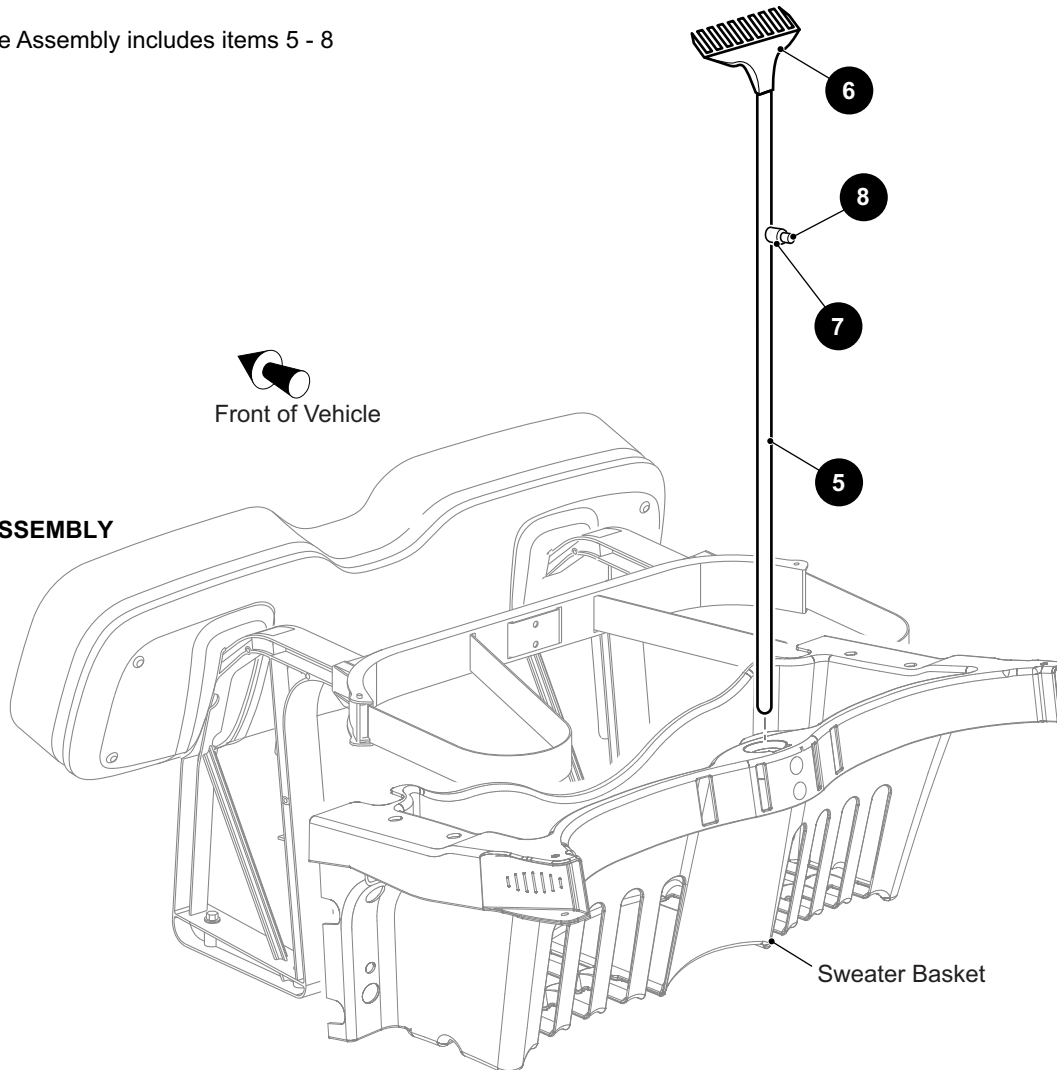


MESSAGE HOLDER



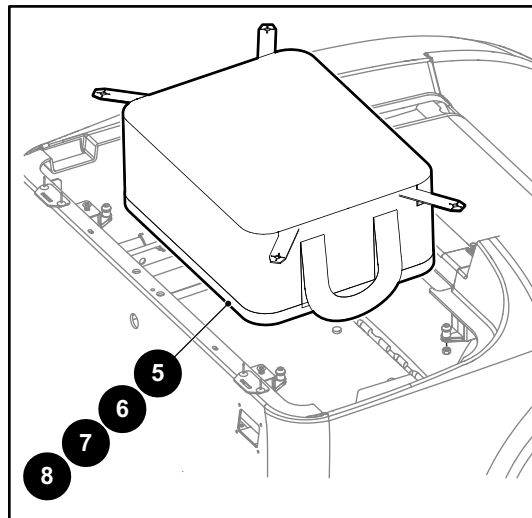
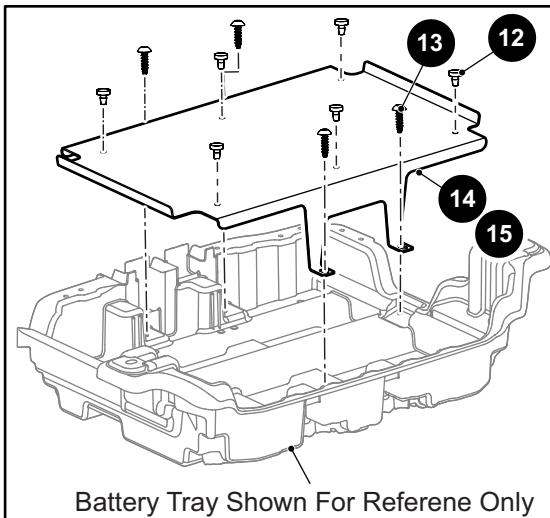
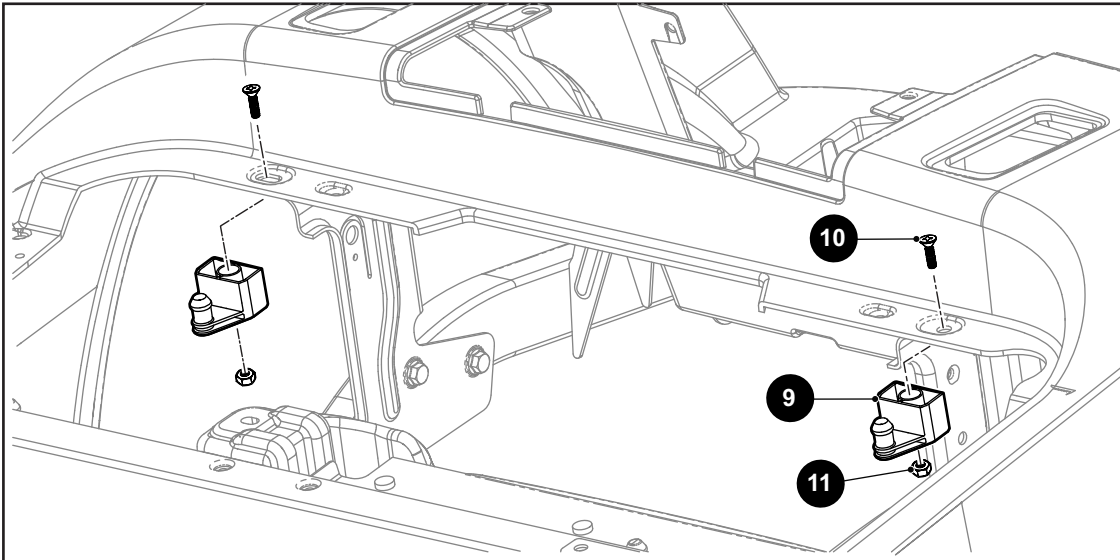
4 Rake Assembly includes items 5 - 8

RAKE ASSEMBLY

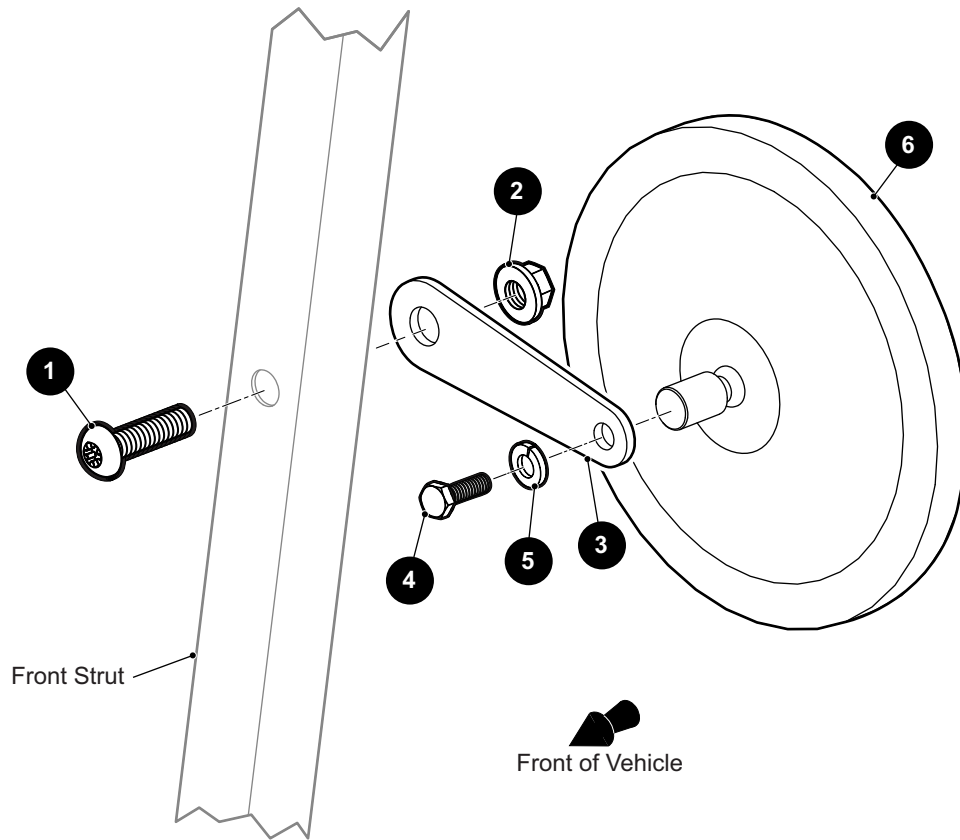


| ITEM | PART NO. | QTY. | DESCRIPTION | NOTES |
|------|----------|------|------------------------------------------------------------------------------------|---------------------|
| 1 | 609308 | 1 | Message Holder (Single) | |
| 2 | 617613 | 1 | Message Holder (Double) | |
| 3 | 697249 | 1 | Message Holder (Mounted on Windshield) | |
| 4 | 14735G1 | 1 | Rake Assembly (Includes Items 5 - 8) | For Fleet & Freedom |
| 5 | 14736G2 | 1 | <ul style="list-style-type: none"> • Rake Handle | |
| 6 | 14737G1 | 1 | <ul style="list-style-type: none"> • Rake | |
| 7 | 14934G1 | 1 | <ul style="list-style-type: none"> • Spacer | |
| 8 | 00130G8 | 1 | <ul style="list-style-type: none"> • Round Head Phillips Wood Screw | #10 - 13 x 1" Lg |

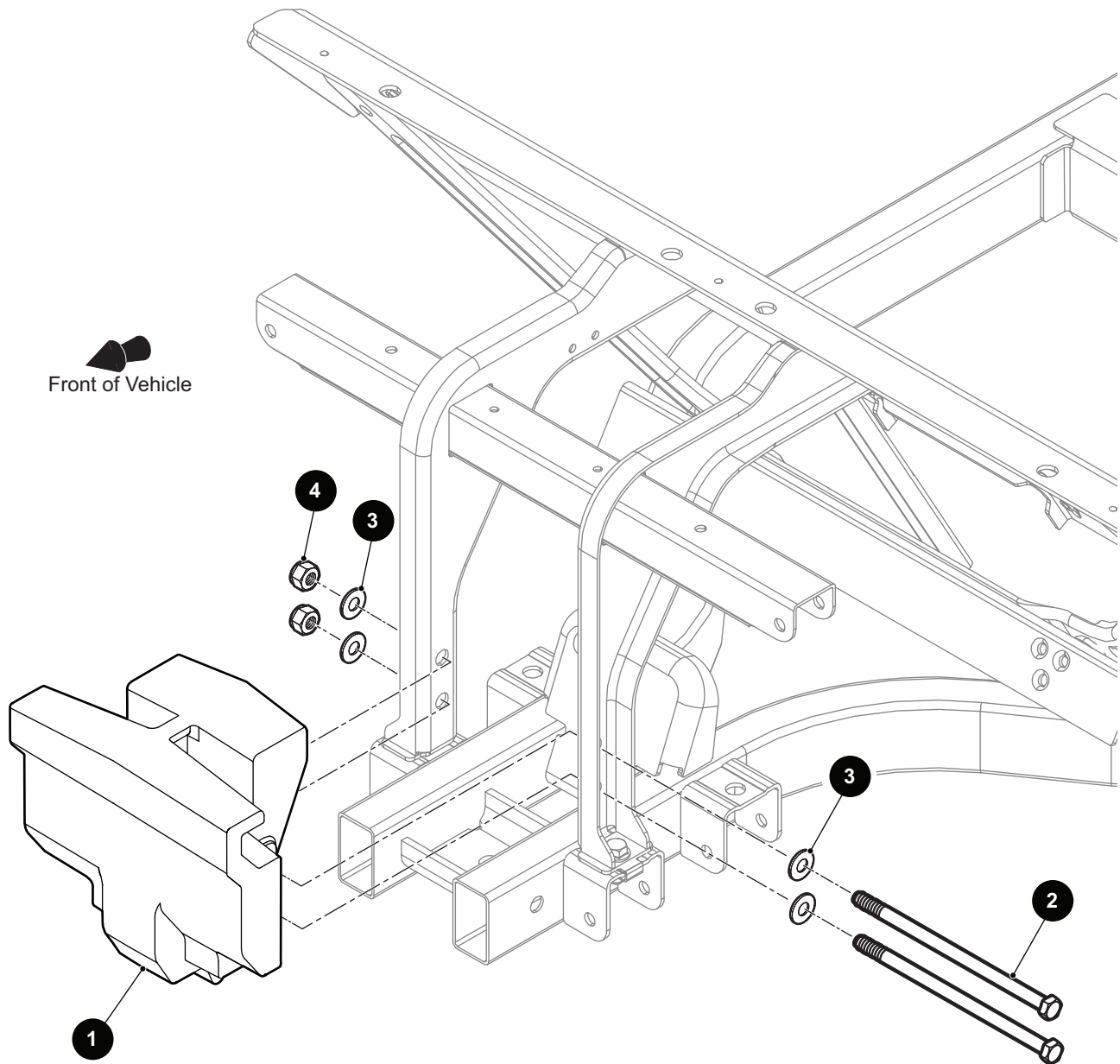
- 1 Under Seat Bag Kit (Standard Single) includes items 5, 12 - 15
- 2 Under Seat Seat Bag Kit (Custom Single) includes items 6, 12 - 15
- 3 Under Seat Bag Kit (Standard Twin) includes items 7, 12 - 15
- 4 Under Seat Bag Kit (Custom Twin) includes items 8, 12 - 15
- 5 Under Seat Bag Kit (Standard Single) includes items 9 - 11
- 6 Under Seat Bag Kit (Custom Single) includes items 9 - 11
- 7 Under Seat Bag Kit (Standard Twin) includes items 9 - 11
- 8 Under Seat Bag Kit (Custom Twin) includes items 9 - 11



| ITEM | PART NO. | QTY. | DESCRIPTION | NOTES |
|------|----------|------|---------------------------------------------|---------------------------|
| 1 | 10023099 | 1 | Under Seat Bag Kit (Standard Single) | Includes Items 5, 12 - 15 |
| 2 | 10024734 | 1 | Under Seat Bag Kit (Custom Single) | Includes Items 6, 12 - 15 |
| 3 | 10024735 | 1 | Under Seat Bag Kit (Standard Twin) | Includes Items 7, 12 - 15 |
| 4 | 10024736 | 1 | Under Seat Bag Kit (Custom Twin) | Includes Items 8, 12 - 15 |
| 5 | 10023118 | 1 | • Under Seat Bag Kit (Standard Single) | Includes Items 9 - 11 |
| 6 | 10024533 | 1 | • Under Seat Bag Kit (Custom Single) | Includes Items 9 - 11 |
| 7 | 10024732 | 1 | • Under Seat Bag Kit (Standard Twin) | Includes Items 9 - 11 |
| 8 | 10024733 | 1 | • Under Seat Bag Kit (Custom Twin) | Includes Items 9 - 11 |
| 9 | * | 2 | • • Bag Lug | |
| 10 | * | 2 | • • Torx Bolt, M8 | |
| 11 | * | 2 | • • Lock Nut, M8 | |
| 12 | 604115 | 6 | • Grommet | |
| 13 | 649804 | 4 | • Button Head Torx Screw, M8 - 35 x 30mm Lg | |
| 14 | 10022995 | 1 | • Bag Support Bracket | |
| 15 | 10024646 | 1 | • Bag Support Twin Bracket | |

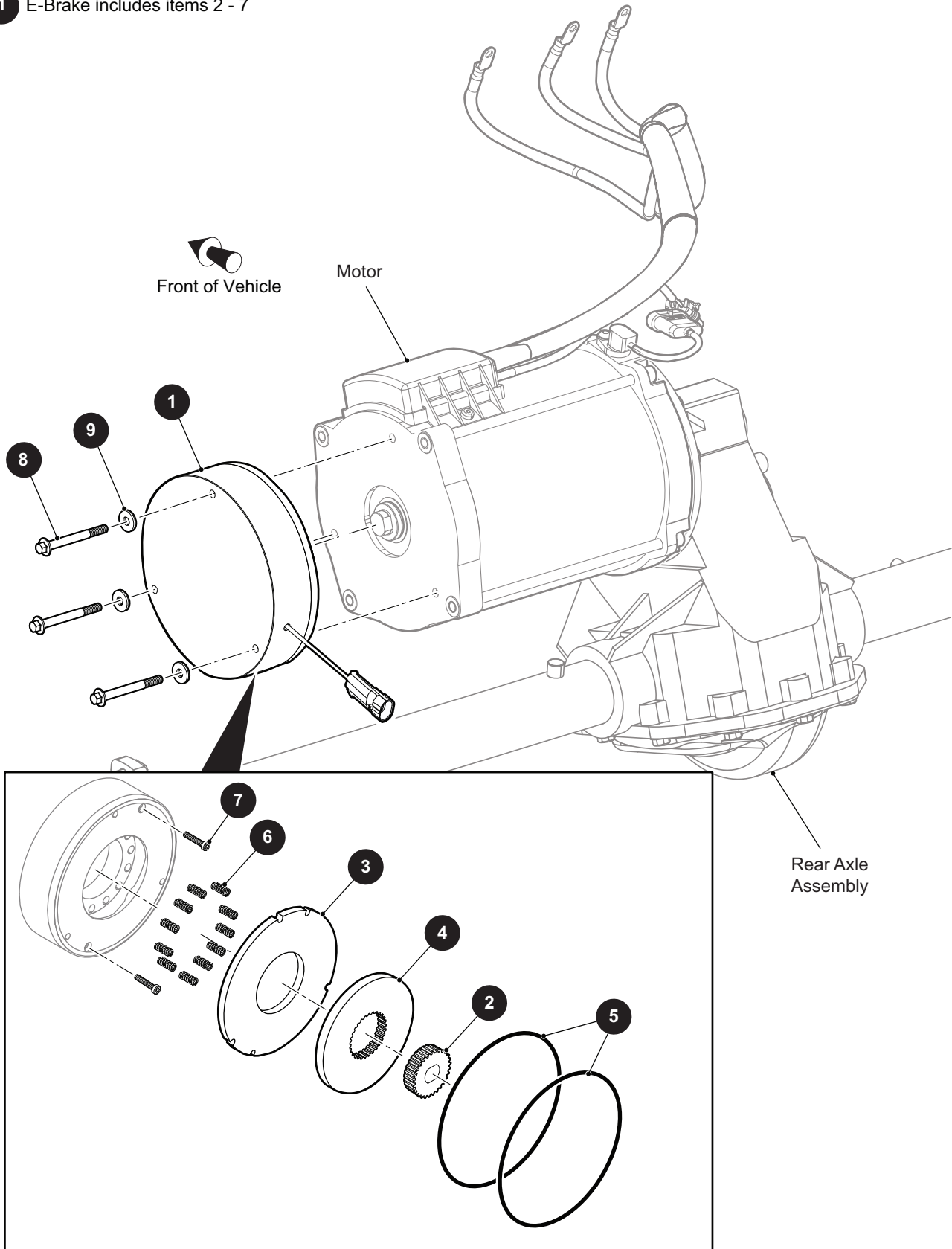


| ITEM | PART NO. | QTY. | DESCRIPTION | NOTES |
|------|----------|------|--------------------------------------------|-----------|
| 1 | 600527 | 1 | Button Head Torx Bolt, M10 - 1.5 x 60mm Lg | Grade 8.8 |
| 2 | 600525 | 1 | Flanged Lock Nut, M10 - 1.5 | |
| 3 | 648528 | 1 | Mirror Bracket | |
| 4 | * | 1 | Hex Head Bolt, 1/4" - 20 x 5/8" Lg | |
| 5 | * | 1 | Lock Washer, 1/4" | |
| 6 | 74202G01 | 1 | Round Mirror | |



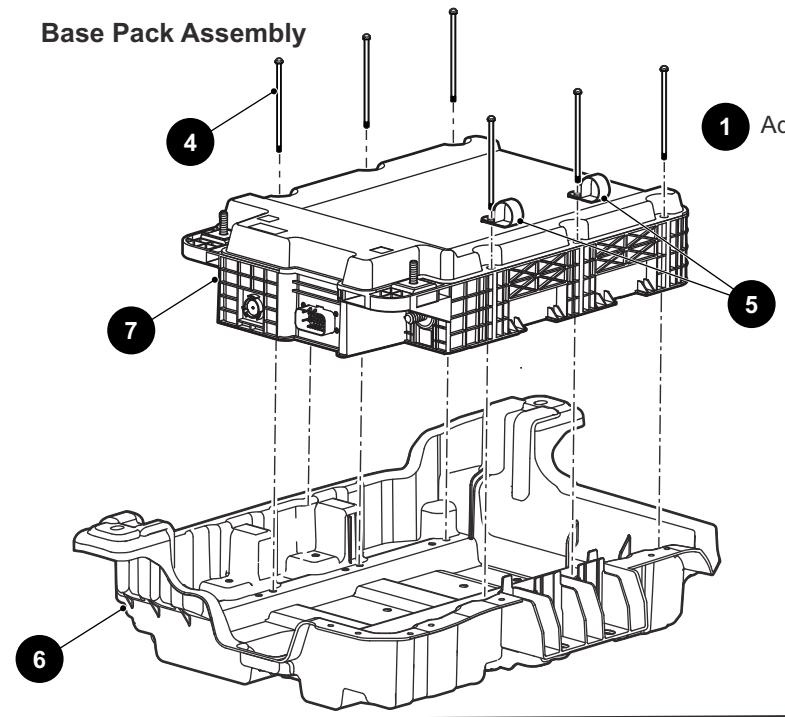
| ITEM | PART NO. | QTY. | DESCRIPTION | NOTES |
|------|----------|------|--------------------------------------|-------|
| 1 | 10016135 | 1 | Front Weight | |
| 2 | 659289 | 2 | Hex Head Bolt, 1/2" - 13 x 7 1/2" Lg | |
| 3 | 00560G3 | 4 | Flat Washer, 1/2" | |
| 4 | 14390G6 | 2 | Lock Nut, 1/2" - 13 | |

1 E-Brake includes items 2 - 7

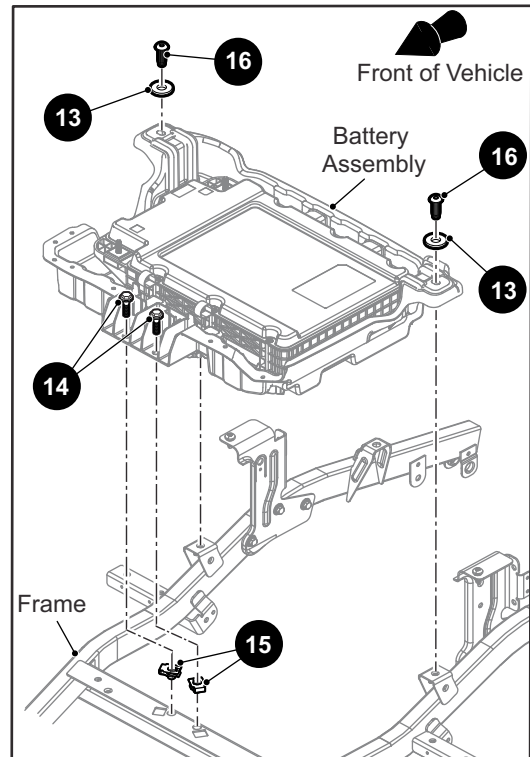


| ITEM | PART NO. | QTY. | DESCRIPTION | NOTES |
|------|----------|------|-----------------------------------------|-----------------------------------------------------------------------|
| 1 | 10022890 | 1 | E-Brake | Includes Items 2 - 7 Grade 8.8 |
| 2 | 628548 | 1 | • Center Hub | |
| 3 | 629569 | 1 | • Armature Plate | |
| 4 | 628549 | 1 | • Friction Disc | |
| 5 | 628550 | 2 | • O-Ring | |
| 6 | 628556 | 14 | • Spring | |
| 7 | 10024109 | 2 | • Low Head Cap Screw, M5 - .8 x 25mm Lg | |
| 8 | 73715G01 | 3 | Flanged Hex Head Bolt, M6 - 1 x 60mm Lg | |
| 9 | 00915G1 | 3 | Bonded Seal Washer, 1/4" | |

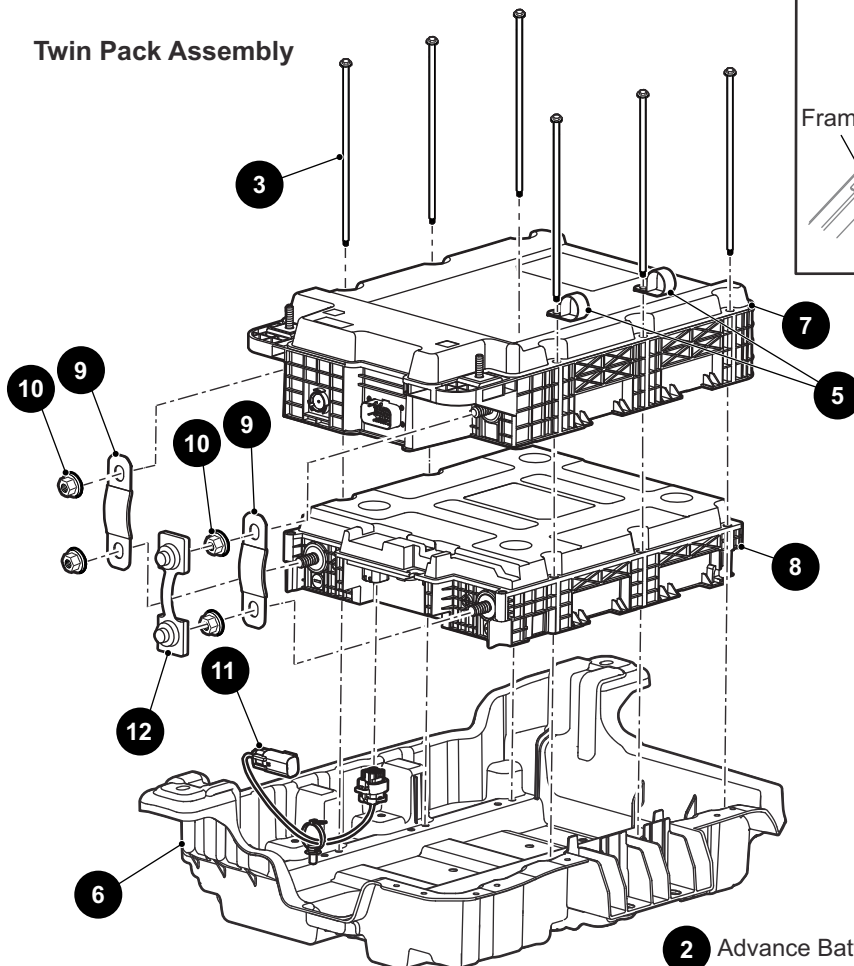
Base Pack Assembly



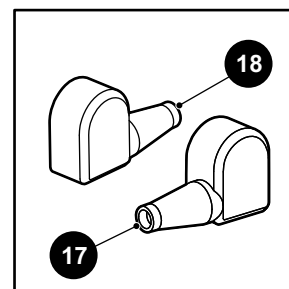
1 Advance Battery Base Assembly includes items 4 - 7



Twin Pack Assembly

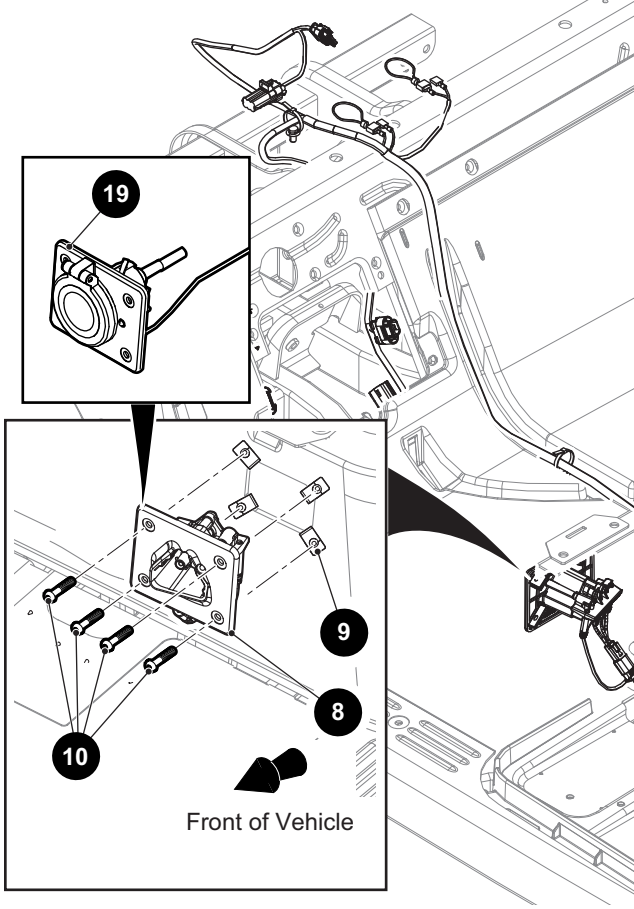
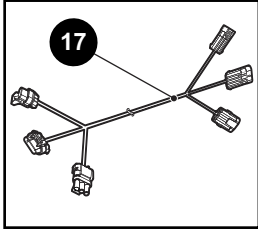
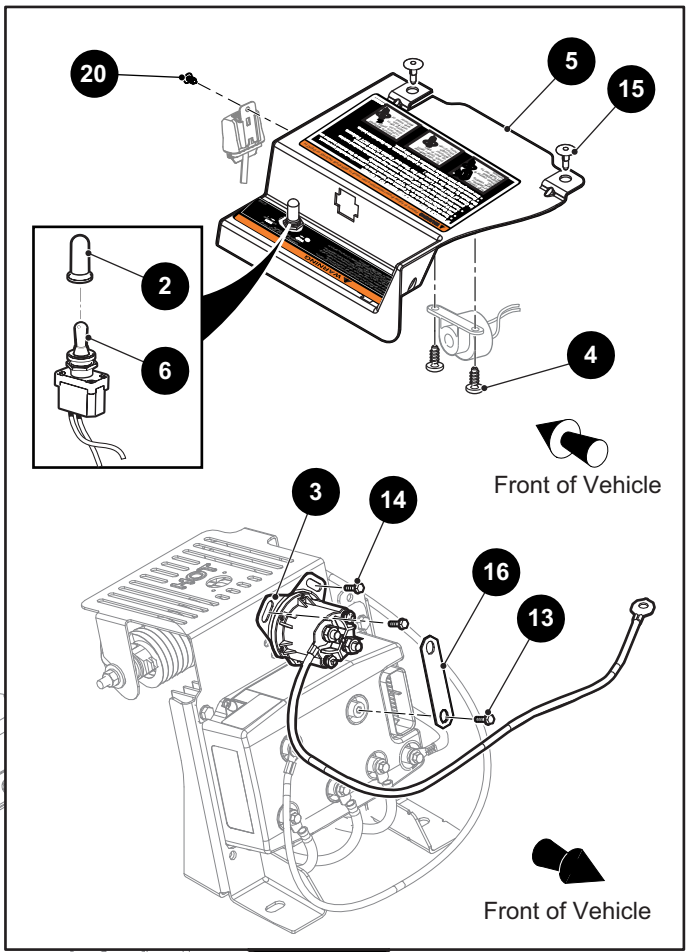
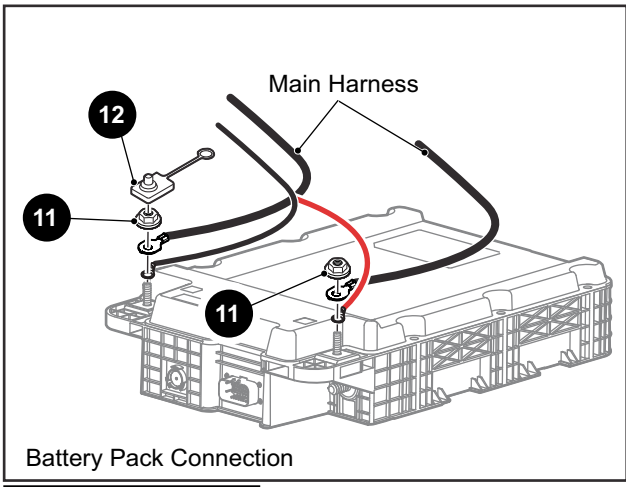


2 Advance Battery Twin Assembly includes items 3, 5 - 12

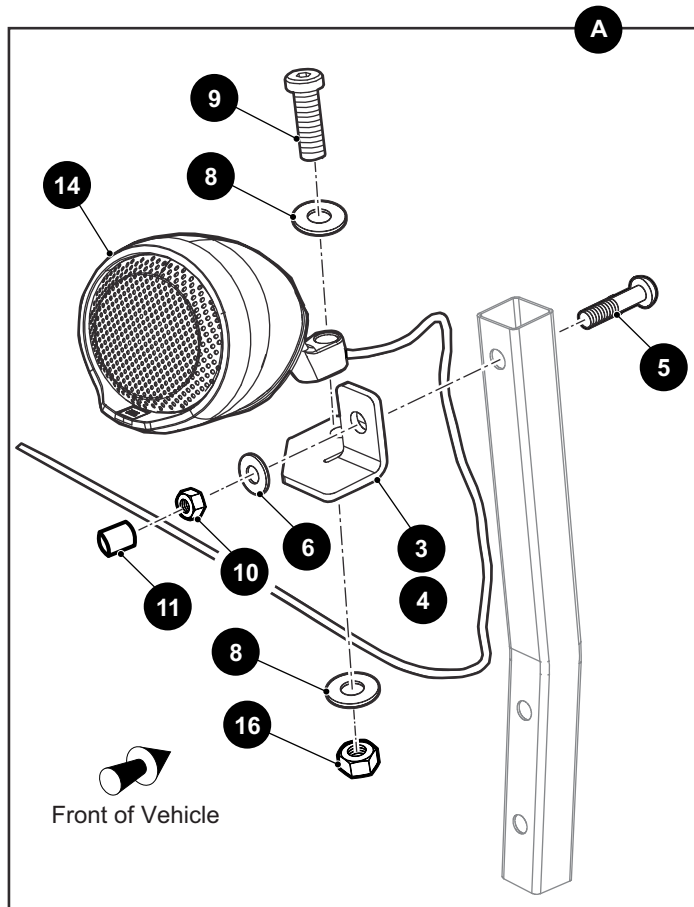
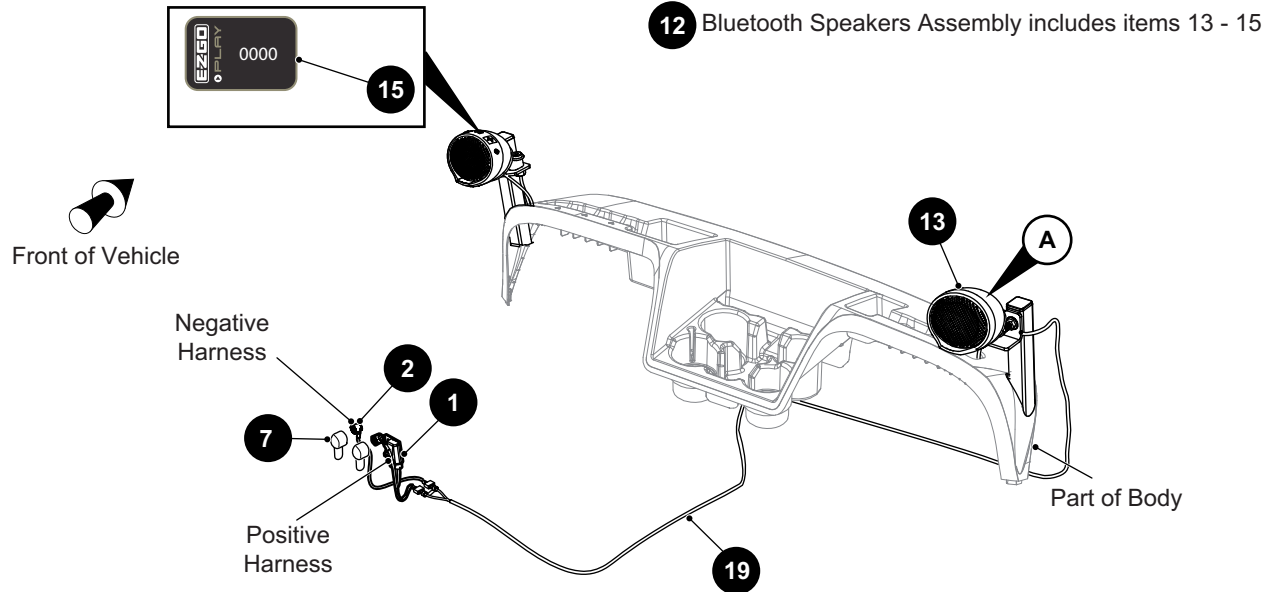


| ITEM | PART NO. | QTY. | DESCRIPTION | NOTES |
|------|-------------|------|---------------------------------------------|----------------------------------|
| 1 | 10002947G01 | 1 | Advance Battery Base Assembly | Includes Items 4 - 7 |
| 2 | 10002947G02 | 1 | Advance Battery Twin Assembly | Includes Items 3, 5 - 12 |
| 3 | 697862G01 | 6 | • Flanged Hex Head Bolt, M6 - 2.14x200mm Lg | |
| 4 | 697862G02 | 6 | • Flanged Hex Head Bolt, M6 - 2.14x113mm Lg | |
| 5 | * | 2 | • Clamp | |
| 6 | 694140 | 1 | • Battery Tray | |
| 7 | 695788 | 1 | • Composite Module | |
| 8 | 695787 | 1 | • Cell Module | |
| 9 | 697427 | 2 | • Bus Bar | |
| 10 | 697858 | 4 | • Conical Hex Nut, M12 - 1.75 | |
| 11 | 10002820 | 1 | • Twin Communication Harness | |
| 12 | 10005220 | 1 | • Terminal Boot | |
| 13 | 604066 | 2 | Flat Washer, M10 | |
| 14 | 603799 | 2 | Flanged Hex Head Bolt, Grade 8.8 | M10 - 1.5 x 25mm Lg |
| 15 | 603818 | 2 | Barrel Clip, M10 - 1.5 | |
| 16 | 10003544 | 2 | Pan Head Tapping Bolt, Grade 8.8 | M10 - 1.5 x 40mm Lg |
| 17 | 606042 | 3 | Battery Terminal Cover, L.H | For CE Vehicles |
| 18 | 606947 | 4 | Battery Terminal Cover, R.H | For CE Vehicles |
| 19 | 608772 | 1 | #6 AWG Blue Wire | For CE Vehicles, Not Illustrated |

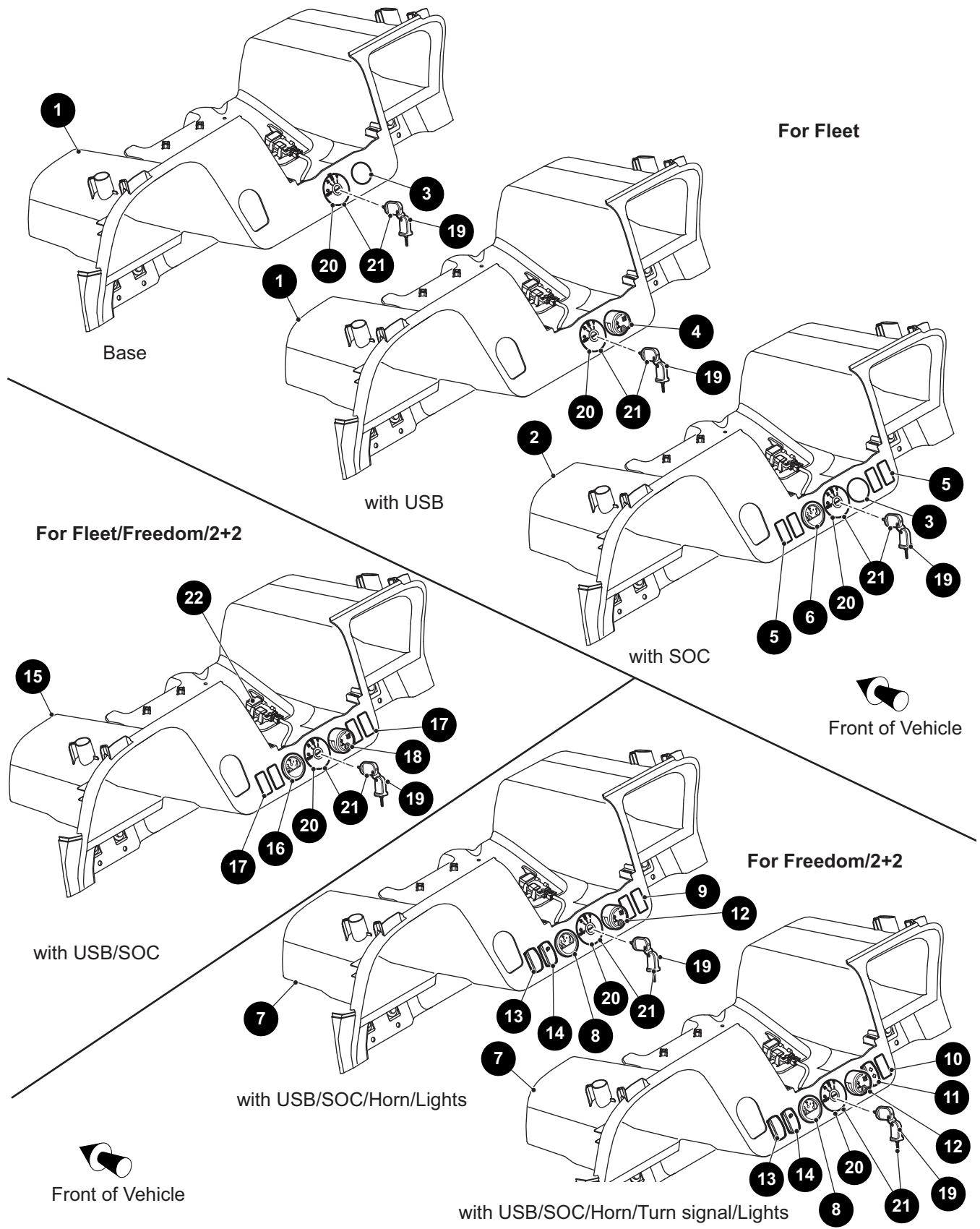
1 Main Harness Assembly includes items 2 - 7



| ITEM | PART NO. | QTY. | DESCRIPTION | NOTES |
|------|----------|------|----------------------------------------------|------------------------------|
| 1 | 10015701 | 1 | Main Harness Assembly | Includes Items 2 - 7 |
| 2 | 655019 | 1 | • Rubber Boot | Row/tow Switch |
| 3 | 649369 | 1 | • Solenoid, 48V | |
| 4 | 01051G01 | 2 | • Pan Head Phillips Screw, #8 - 16 x 1/2" Lg | |
| 5 | 612423 | 1 | • Controller Splash Shield Assembly | |
| 6 | 10021939 | 1 | • Main Harness | |
| 7 | 609686 | 1 | • Bi-metal Switch | |
| 8 | 651410 | 1 | Charger Receptacle | |
| 9 | * | 4 | Barrel Clip, M6 - 1 | |
| 10 | 601326 | 4 | Button Head Torx Bolt | M6 - 1 x 20mm Lg, Grade 8.8 |
| 11 | 659134 | 2 | Conical Hex Nut, M8 - 1.25 | |
| 12 | 10005219 | 1 | Terminal Boot | |
| 13 | 73876G01 | 1 | Flanged Hex Head Bolt | M6 - 1 x 12mm Lg, Grade 8.8 |
| 14 | 71102G02 | 2 | Hex Washer Head Bolt | 1/4" - 20 x 1/2" Lg, Grade 5 |
| 15 | 610487 | 3 | Removable Rivet, .256" | |
| 16 | 619047 | 1 | Bus Bar | |
| 17 | 677030 | 1 | Tow Harness | For Fleet & Freedom |
| 18 | 00614-G4 | 2 | Pan Head Phillips Self Drilling Screw | #8 - 18 x 1/2" Lg |
| 19 | 673527 | 1 | Charger Receptacle | For On-Board Charger |
| 20 | 16816G5 | 1 | Ratchet Rivet, .187" x .550" Lg | For Freedom & Freedom 2+2 |

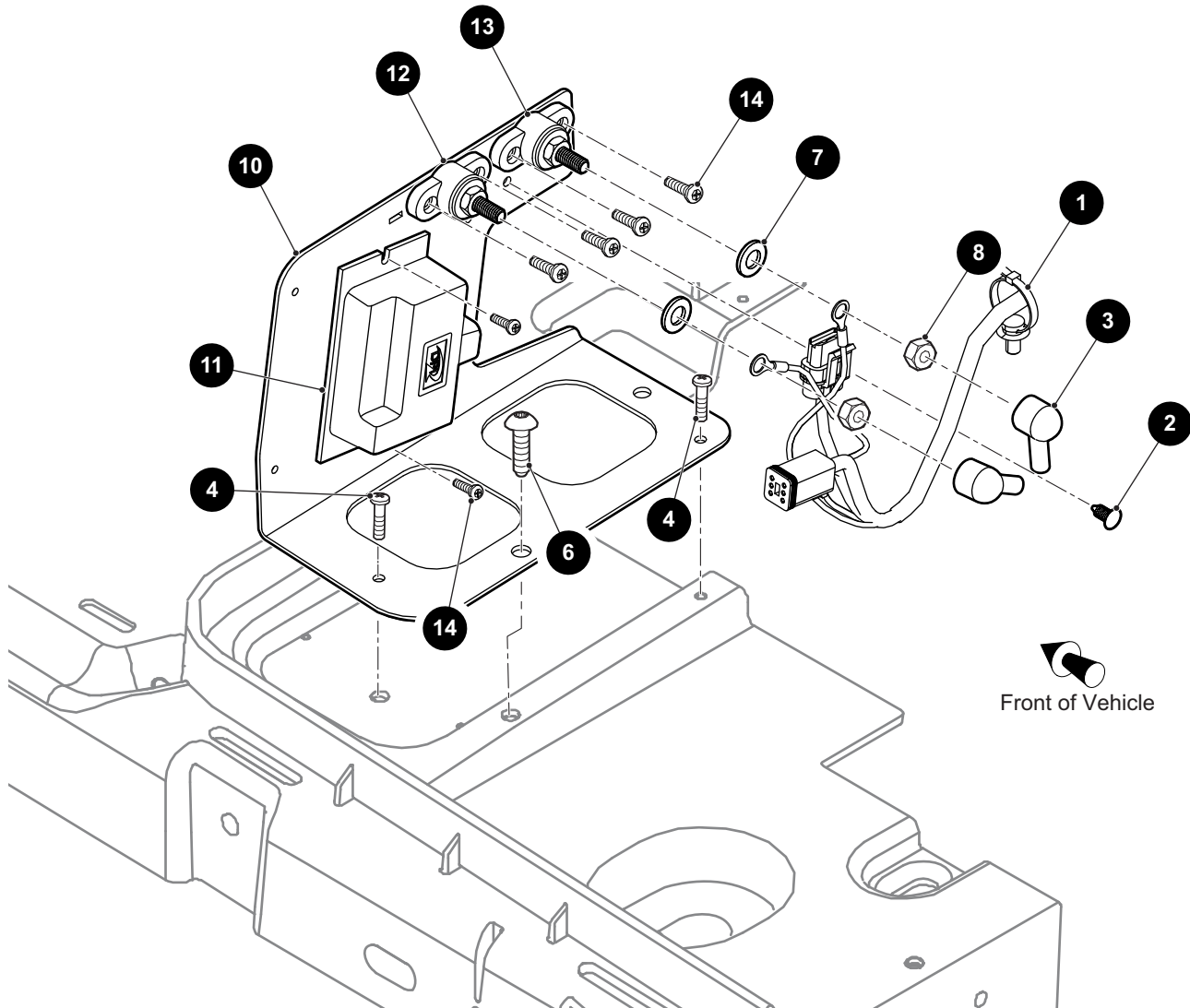


| ITEM | PART NO. | QTY. | DESCRIPTION | NOTES |
|------|-----------|------|---------------------------------------------|------------------------|
| 1 | 697532 | 1 | Speaker Harness | Positive |
| 2 | 697533 | 1 | Speaker Harness | Negative |
| 3 | 690335G01 | 1 | Speaker Bracket, L.H | |
| 4 | 690335G02 | 1 | Speaker Bracket, R.H | |
| 5 | 652311 | 2 | Round Head Torx Bolt, 5/16" - 18 x 3" Lg | |
| 6 | 634808 | 2 | Flat Washer, 5/16" | |
| 7 | 840177 | 2 | Terminal Boot | |
| 8 | 00560G2 | 4 | Flat Washer, 1/2" - 13 | |
| 9 | 00463G11 | 2 | Socket Head Cap Screw, 1/2" -13 x 1 1/2" Lg | |
| 10 | 652317 | 2 | Lock Nut, 5/16" - 18 | |
| 11 | 10031844 | 2 | Thread Cover Cap | |
| 12 | 10022147 | 1 | Bluetooth Speakers Assembly | Includes Items 13 - 15 |
| 13 | 690350 | 1 | • Bluetooth Speaker | Parent |
| 14 | 692906 | 1 | • Bluetooth Speaker | Child |
| 15 | 692795 | 1 | • Bluetooth Speaker Decal | |
| 16 | 00734G1 | 2 | Lock Nut, 1/2" - 13 | |
| 17 | 17618G1 | 1 | Nylon Clamp, 8" Lg | Not Illustrated |
| 18 | 10011703 | 1 | GPS Harness | Not Illustrated |
| 19 | 691634 | 1 | Bluetooth Speaker Harness | |



| ITEM | PART NO. | QTY. | DESCRIPTION | NOTES |
|---------------------------------------------------|-------------|------|---------------------------------|------------------------------------------------------------------|
| Items 1 - 6 for Fleet | | | | |
| 1 | 10017469 | 1 | Instrument Panel | with Opening for Key Switch |
| 2 | 10047958G05 | 1 | Instrument Panel Trim | with Opening for Key Switch, SOC, USB, Horn, Lights, Turn Signal |
| 3 | 10032139 | 1 | USB Plug Cover | |
| 4 | 639384 | 1 | USB Port Housing Assembly | |
| 5 | 627035 | 4 | Switch Panel Plug | |
| 6 | 612314 | 1 | State of Charger Meter | |
| Items 7 - 14 for Freedom & Freedom 2+2 | | | | |
| 7 | 10047958G05 | 1 | Instrument Panel Trim | with Opening for Key Switch, SOC, USB, Horn, Lights, Turn Signal |
| 8 | 612314 | 1 | State of Charger Meter | |
| 9 | 627035 | 2 | Switch Panel Plug | |
| 10 | 627035 | 1 | Switch Panel Plug | |
| 11 | 651897G10 | 1 | Turn Signal Switch | |
| 12 | 639384 | 1 | USB Port Housing Assembly | |
| 13 | 651897G11 | 1 | Horn Switch | |
| 14 | 651897G07 | 1 | Headlight Switch | |
| 15 | 10047958G05 | 1 | Instrument Panel Trim | with Opening for Key Switch, SOC, USB, Horn, Lights, Turn Signal |
| 16 | 612314 | 1 | State of Charger Meter | |
| 17 | 627035 | 4 | Switch Panel Plug | |
| 18 | 639384 | 1 | USB Port Housing Assembly | |
| 19 | 611282 | 1 | Common Keypad | |
| 20 | 653072 | 1 | Key Switch | |
| 21 | 655131 | 1 | Key Switch and Key Set Assembly | |
| 22 | 10019356 | 1 | USB Electronics | |

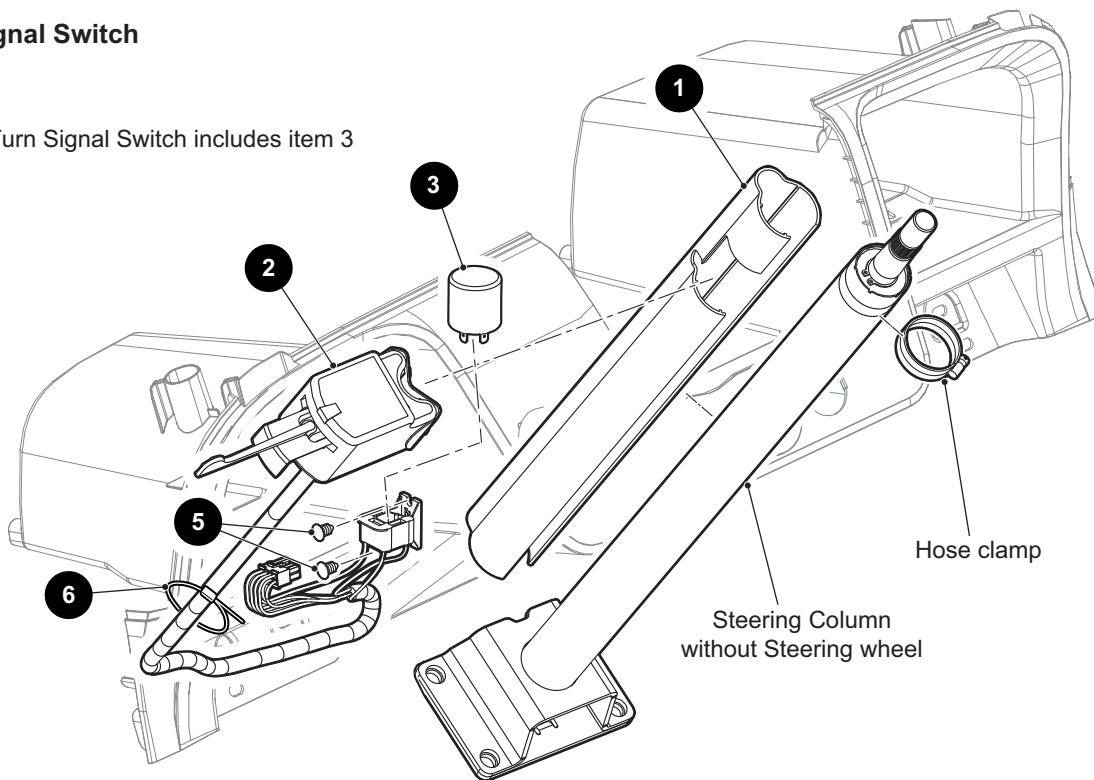
9 DC - DC Converter Assembly includes items 10 - 14



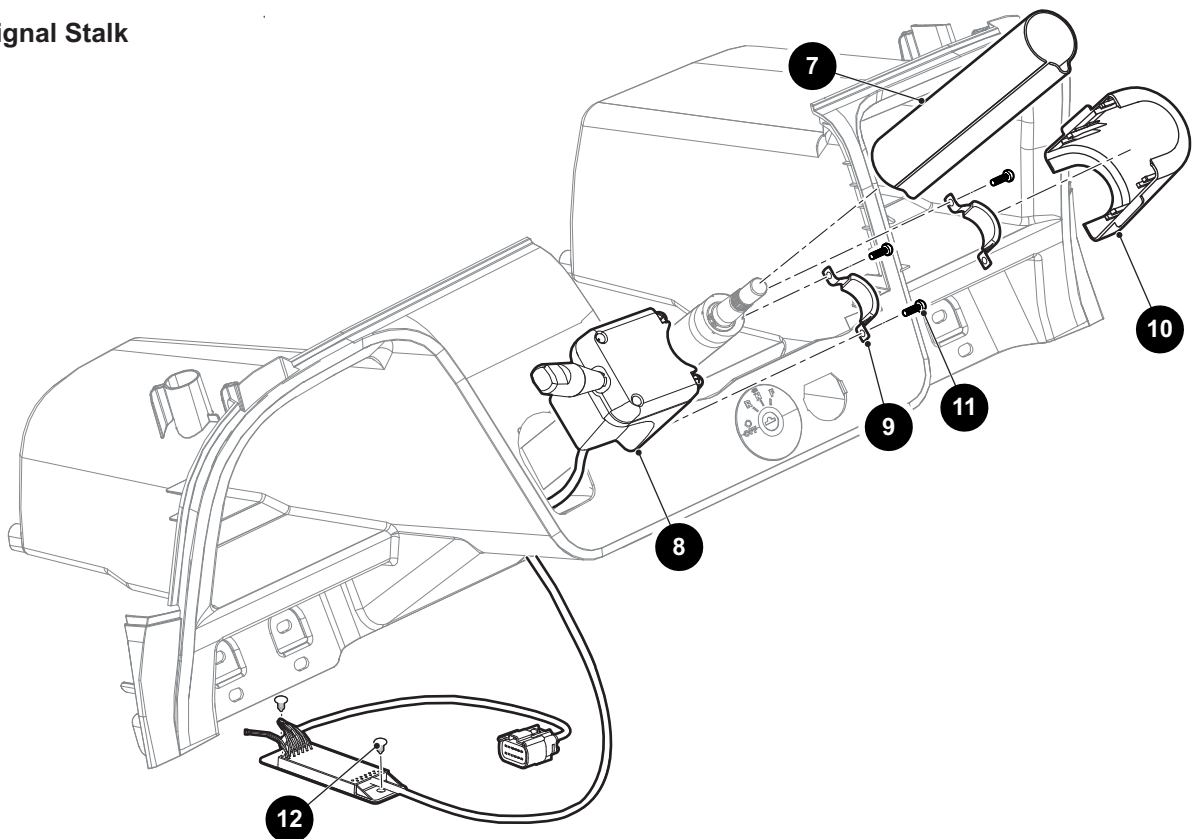
| ITEM | PART NO. | QTY. | DESCRIPTION | NOTES |
|------|-----------|------|--------------------------------------------|------------------------|
| 1 | 608182 | 1 | DC-DC Converter Harness | |
| 2 | 16816G5 | 1 | Ratchet Rivet, .187" x .550" | |
| 3 | 25682G01 | 2 | Terminal Boot | |
| 4 | 608290 | 2 | Self Tapping Screw, #10 - 16 x 3/4" Lg | |
| 5 | 31539G1 | 4 | Nylon Clamp, 15.5" Lg | Not Illustrated |
| 6 | 649804 | 1 | Button Head Torx Screw, M8 - 3.5 x 30mm Lg | |
| 7 | 00559G8 | 2 | Flat Washer, 5/16" | |
| 8 | 00702G2 | 2 | Hex Nut, 5/16" - 18 | |
| 9 | 698914 | 1 | DC-DC Converter Assembly | Includes Items 10 - 14 |
| 10 | 695817 | 1 | • Bracket | |
| 11 | 10000543 | 1 | • DC-DC Converter | |
| 12 | 662824G02 | 1 | • Terminal Stud | Black |
| 13 | 662824G01 | 1 | • Terminal Stud | Red |
| 14 | 632372 | 6 | • Tapping Screw, #10 - 32 x 3/4" Lg | |

Turn Signal Switch

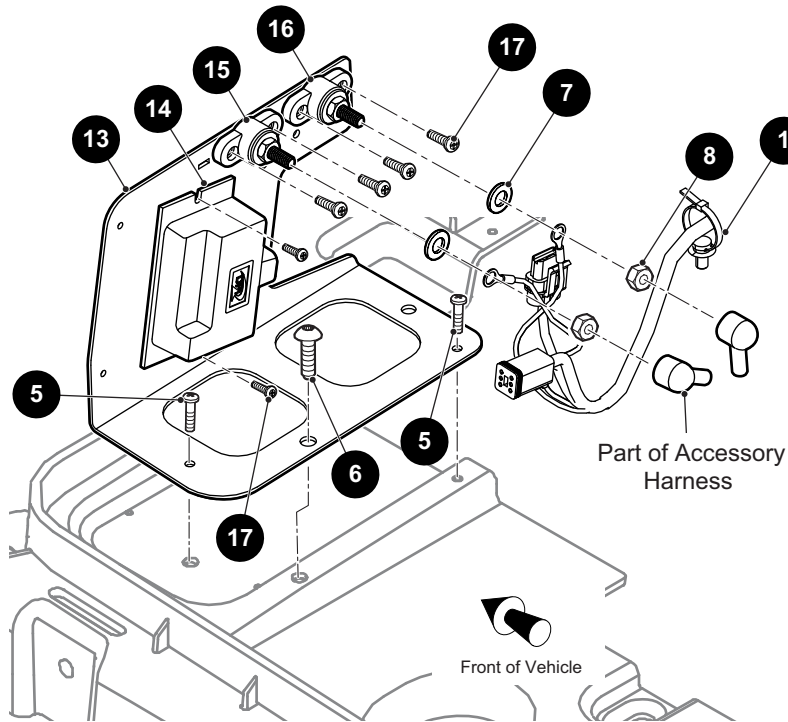
2 Turn Signal Switch includes item 3



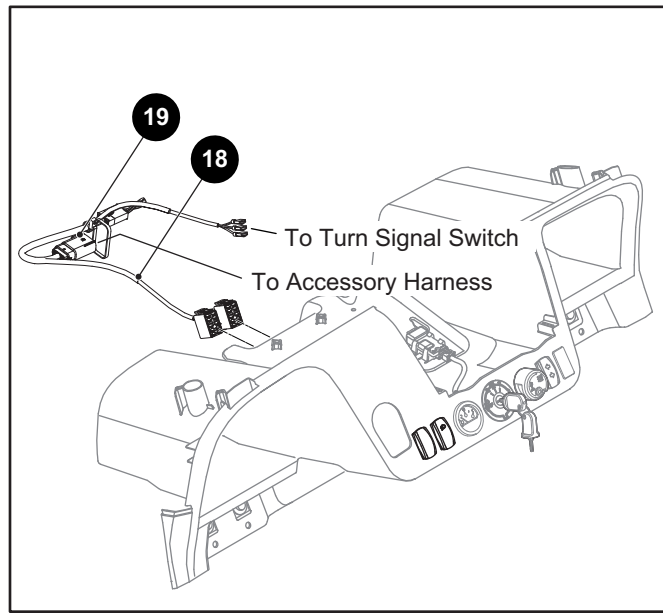
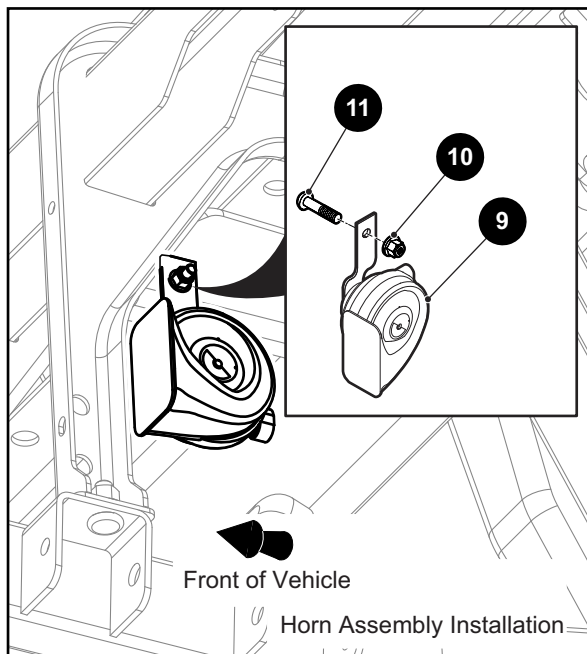
Turn Signal Stalk



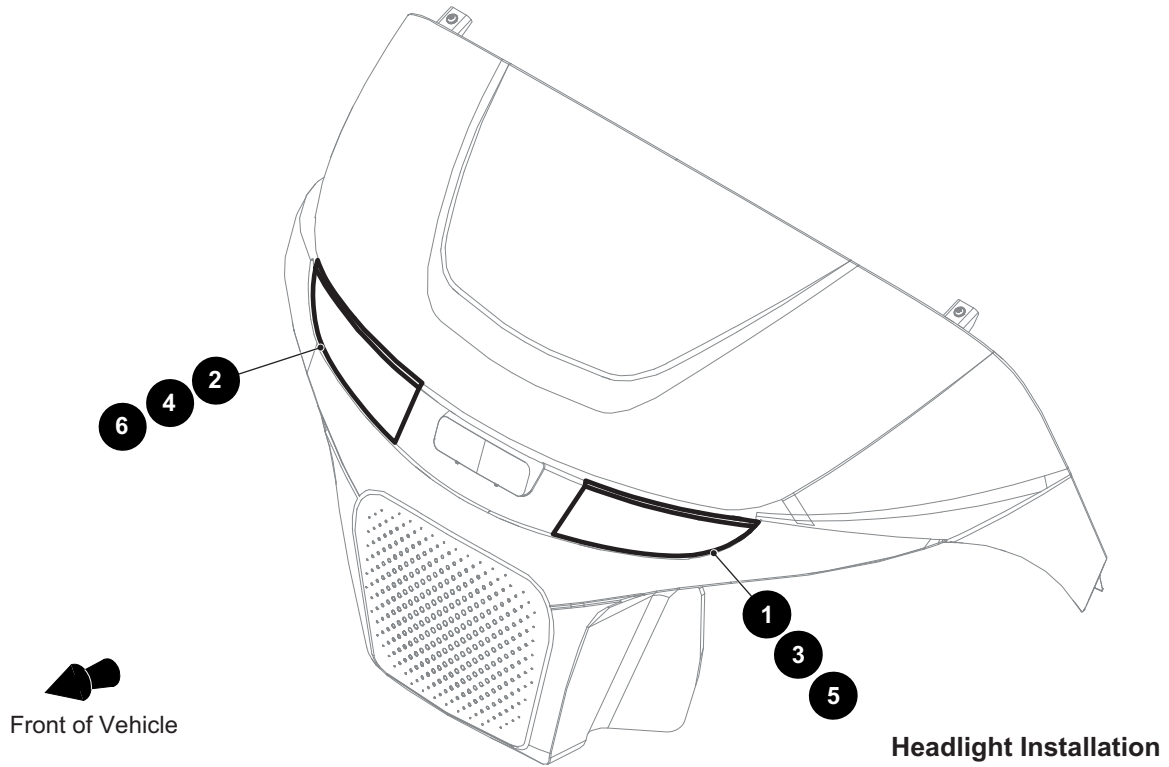
| ITEM | PART NO. | QTY. | DESCRIPTION | NOTES |
|------|----------|------|----------------------------------------|-----------------|
| 1 | 20965G3 | 1 | Steering Column Cover | |
| 2 | 604511 | 1 | Turn Signal Switch | Includes Item 3 |
| 3 | 604367 | 1 | • Flasher Unit | |
| 4 | * | 1 | Vinyl Tape, 40mm Lg | Not Illustrated |
| 5 | 16816G5 | 2 | Ratchet Rivet, .187" x .550" Lg | |
| 6 | 31539G1 | 1 | Nylon Clamp, 15.5" Lg | |
| 7 | 10024955 | 1 | Steering Column Cover | |
| 8 | 10024954 | 1 | Turn Stalk Housing Harness | |
| 9 | 10023448 | 2 | Turn Signal Strap | |
| 10 | 10020050 | 1 | Switch Cover | |
| 11 | 612859 | 4 | Pan Head Torx Screw, M5 - .8 x 12mm Lg | |
| 12 | 16816G2 | 2 | Ratchet Rivet, .25" x .887" | |



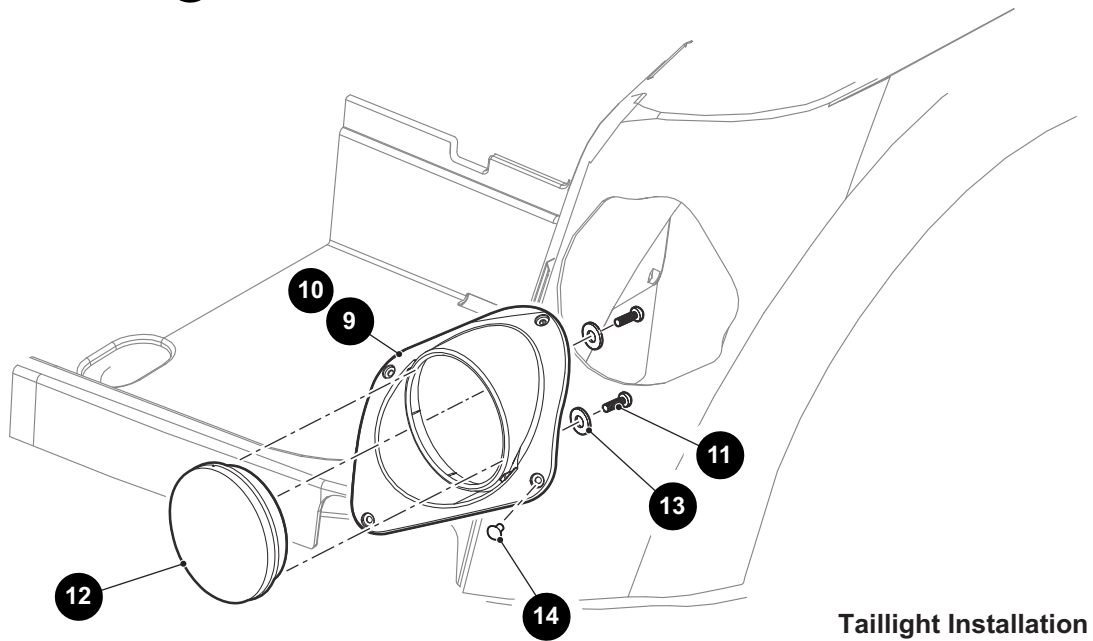
- 1 Accessory Harness includes items 2 - 4
- 12 DC - DC Converter Assembly includes items 13 - 17



| ITEM | PART NO. | QTY. | DESCRIPTION | NOTES |
|------|-----------|------|--------------------------------------------|------------------------|
| 1 | 10008164 | 1 | Accessory Harness | Includes Items 2 - 4 |
| 2 | 658741 | 1 | • Relay, 20Amp, 24V DC | Not Illustrated |
| 3 | 63645G22 | 4 | • Mini Fuse, 10A, 58V DC | Not Illustrated |
| 4 | 628840 | 1 | • Fuse (ATO), 58V, 10A | Not Illustrated |
| 5 | 608290 | 2 | Self Tapping Screw, #10 - 16 x 3/4" Lg | |
| 6 | 649804 | 1 | Button Head Torx Screw, M8 - 3.5 x 30mm Lg | |
| 7 | 00559G8 | 2 | Flat Washer, 5/16" | |
| 8 | 00702G2 | 2 | Hex Nut, 5/16" - 18 | |
| 9 | 604196 | 1 | Horn Assembly | |
| 10 | 601476 | 1 | Lock Nut, M6 - 1 | |
| 11 | 601326 | 1 | Button Head Torx Bolt, Grade 8.8 | M6 - 1 x 20mm Lg |
| 12 | 698914 | 1 | DC-DC Converter Assembly | Includes Items 13 - 17 |
| 13 | 695817 | 1 | • Bracket | |
| 14 | 10000543 | 1 | • DC-DC Converter | |
| 15 | 662824G02 | 1 | • Terminal Stud | Black |
| 16 | 662824G01 | 1 | • Terminal Stud | Red |
| 17 | 632372 | 6 | • Tapping Screw, #10 - 32 x 3/4" Lg | |
| 18 | 10011035 | 1 | Light Control Harness | |
| 19 | 10021930 | 1 | Turn Signal Controller | |

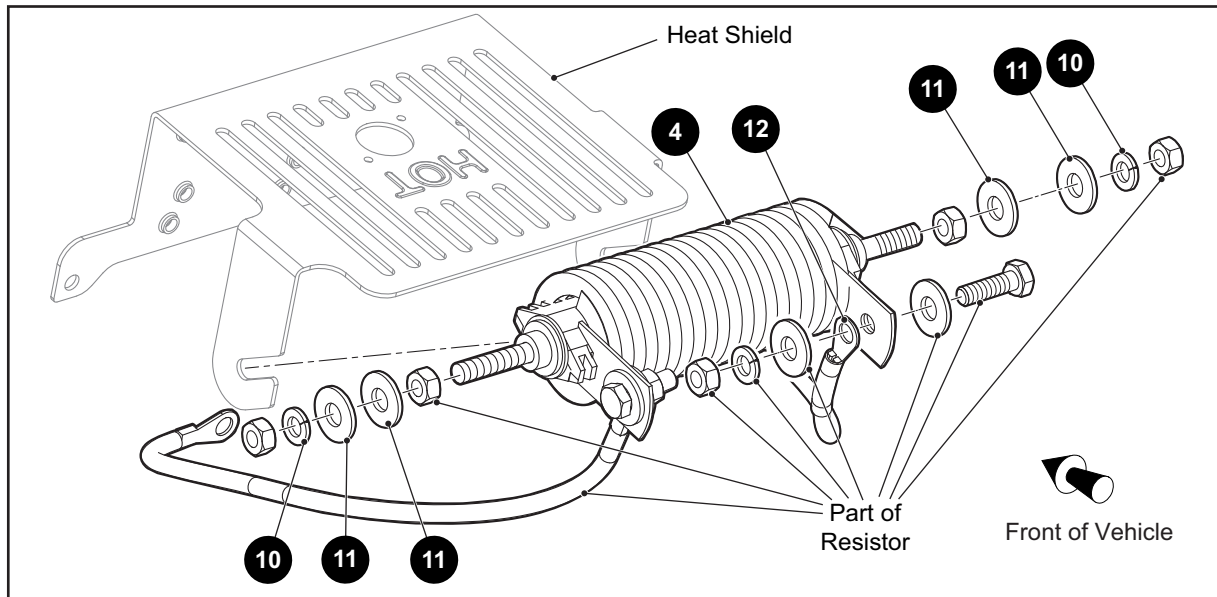


- 7 LED Taillight Assembly (Driver Side) includes items 9, 11 - 13
- 8 LED Taillight Assembly (Passenger Side) includes items 10 - 13

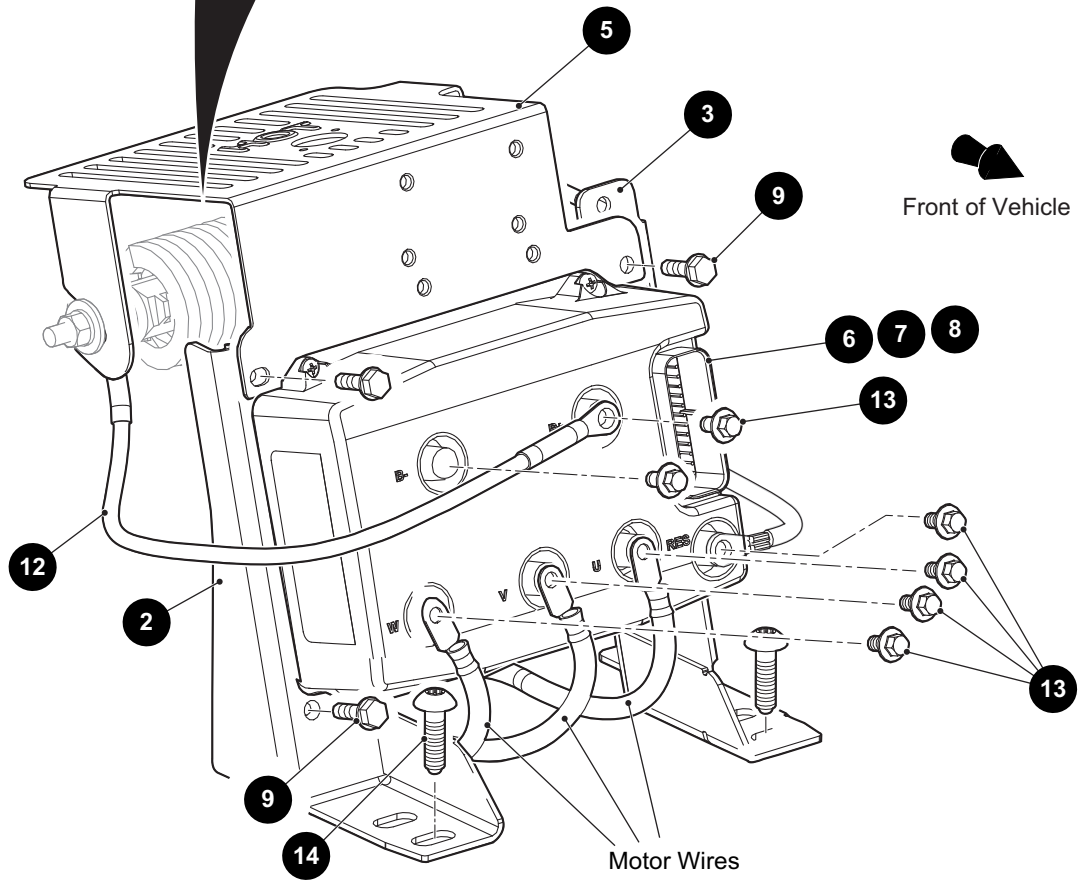


| ITEM | PART NO. | QTY. | DESCRIPTION | NOTES |
|--------------------------------------------------------|----------------|------|----------------------------------------------------|---------------------------|
| Items 1 - 14 for Freedom & Freedom 2+2 Only | | | | |
| 1 | 10047123G11 | 1 | LED Headlight, Low Beam | Driver Side |
| 2 | 10047123G12 | 1 | LED Headlight, Low Beam | Passenger Side |
| 3 | 10047123G21 | 1 | LED Headlight, Low Beam/Turn Signal | Driver Side |
| 4 | 10047123G22 | 1 | LED Headlight, Low Beam/Turn Signal | Passenger Side |
| 5 | 10047123G31 | 1 | LED Headlight, High & Low Beam/Turn Signal/ DRL | Driver Side |
| 6 | 10047123G32 | 1 | LED Headlight, High & Low Beam/Turn Signal/ DRL | Passenger Side |
| 7 | 10030401G01 | 1 | LED Taillight, Driver Side | Includes Items 9, 11 - 13 |
| 8 | 10030401G02 | 1 | LED Taillight, Passenger Side | Includes Items 10 - 13 |
| 9 | 10027806G01 | 1 | • Taillight Bezel | Driver Side |
| 10 | 10027806G02 | 1 | • Taillight Bezel | Passenger Side |
| 11 | 10023082 | 3 | • Button Head Torx Screw , M3 x 8mm Lg | Plastite |
| 12 | 10014910 | 1 | • Round LED Taillight, 4" | |
| 13 | 10027443 | 3 | • Flat Washer, #4 - 7/16" | |
| 14 | 10030163 | 8 | Button Head Torx Screw, #10 - 16 x 3/8" Lg | Plastite |
| Items 15 - 54 Not Shown | | | | |
| 15 | 10008835G07124 | 1 | GPS Display Unit, 7", Base | 24 Months Lease |
| 16 | 10008835G07130 | 1 | GPS Display Unit, 7", Base | 30 Months Lease |
| 17 | 10008835G07136 | 1 | GPS Display Unit, 7", Base | 36 Months Lease |
| 18 | 10008835G07142 | 1 | GPS Display Unit, 7", Base | 42 Months Lease |
| 19 | 10008835G07148 | 1 | GPS Display Unit, 7", Base | 48 Months Lease |
| 20 | 10008835G07154 | 1 | GPS Display Unit, 7", Base | 54 Months Lease |
| 21 | 10008835G07160 | 1 | GPS Display Unit, 7", Base | 60 Months Lease |
| 22 | 10008835G07166 | 1 | GPS Display Unit, 7", Base | 66 Months Lease |
| 23 | 10008835G07172 | 1 | GPS Display Unit, 7", Base | 72 Months Lease |
| 24 | 10008835G07224 | 1 | GPS Display Unit, 7", Enhanced | 24 Months Lease |
| 25 | 10008835G07230 | 1 | GPS Display Unit, 7", Enhanced | 30 Months Lease |
| 26 | 10008835G07236 | 1 | GPS Display Unit, 7", Enhanced | 36 Months Lease |
| 27 | 10008835G07242 | 1 | GPS Display Unit, 7", Enhanced | 42 Months Lease |
| 28 | 10008835G07248 | 1 | GPS Display Unit, 7", Enhanced | 48 Months Lease |
| 29 | 10008835G07254 | 1 | GPS Display Unit, 7", Enhanced | 54 Months Lease |

| ITEM | PART NO. | QTY. | DESCRIPTION | NOTES |
|------|----------------|------|------------------------------------------|---------------------------|
| 30 | 10008835G07260 | 1 | GPS Display Unit, 7", Enhanced | 60 Months Lease |
| 31 | 10008835G07266 | 1 | GPS Display Unit, 7", Enhanced | 66 Months Lease |
| 32 | 10008835G07272 | 1 | GPS Display Unit, 7", Enhanced | 72 Months Lease |
| 33 | 10008835G10124 | 1 | GPS Display Unit, 10", Base | 24 Months Lease |
| 34 | 10008835G10130 | 1 | GPS Display Unit, 10", Base | 30 Months Lease |
| 35 | 10008835G10136 | 1 | GPS Display Unit, 10", Base | 36 Months Lease |
| 36 | 10008835G10142 | 1 | GPS Display Unit, 10", Base | 42 Months Lease |
| 37 | 10008835G10148 | 1 | GPS Display Unit, 10", Base | 48 Months Lease |
| 38 | 10008835G10154 | 1 | GPS Display Unit, 10", Base | 54 Months Lease |
| 39 | 10008835G10160 | 1 | GPS Display Unit, 10", Base | 60 Months Lease |
| 40 | 10008835G10166 | 1 | GPS Display Unit, 10", Base | 66 Months Lease |
| 41 | 10008835G10172 | 1 | GPS Display Unit, 10", Base | 72 Months Lease |
| 42 | 10008835G10224 | 1 | GPS Display Unit, 10", Enhanced | 24 Months Lease |
| 43 | 10008835G10230 | 1 | GPS Display Unit, 10", Enhanced | 30 Months Lease |
| 44 | 10008835G10236 | 1 | GPS Display Unit, 10", Enhanced | 36 Months Lease |
| 45 | 10008835G10242 | 1 | GPS Display Unit, 10", Enhanced | 42 Months Lease |
| 46 | 10008835G10248 | 1 | GPS Display Unit, 10", Enhanced | 48 Months Lease |
| 47 | 10008835G10254 | 1 | GPS Display Unit, 10", Enhanced | 54 Months Lease |
| 48 | 10008835G10260 | 1 | GPS Display Unit, 10", Enhanced | 60 Months Lease |
| 49 | 10008835G10266 | 1 | GPS Display Unit, 10", Enhanced | 66 Months Lease |
| 50 | 10008835G10272 | 1 | GPS Display Unit, 10", Enhanced | 72 Months Lease |
| 51 | 10008835G07SC | 1 | GPS Display Unit, 7", Consumer Standard | For Freedom & Freedom 2+2 |
| 52 | 10008835G07PC | 1 | GPS Display Unit, 7", Consumer Premium | For Freedom & Freedom 2+2 |
| 53 | 10008835G10SC | 1 | GPS Display Unit, 10", Consumer Standard | For Freedom & Freedom 2+2 |
| 54 | 10008835G10PC | 1 | GPS Display Unit, 10", Consumer Premium | For Freedom & Freedom 2+2 |

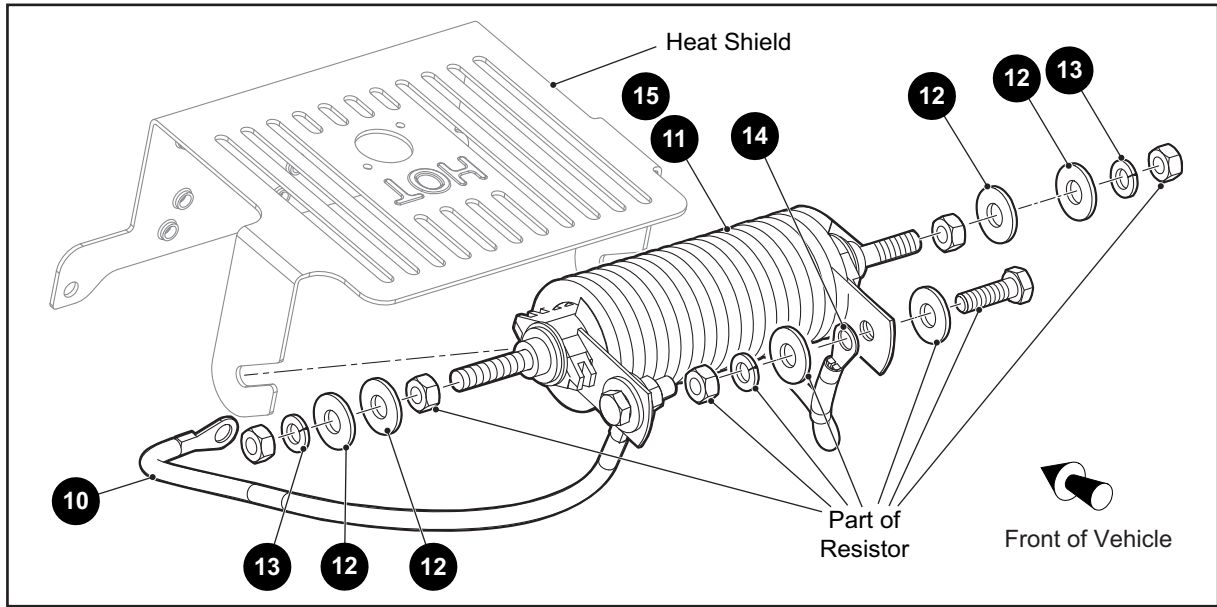


1 Controller Assembly includes items 2 - 11

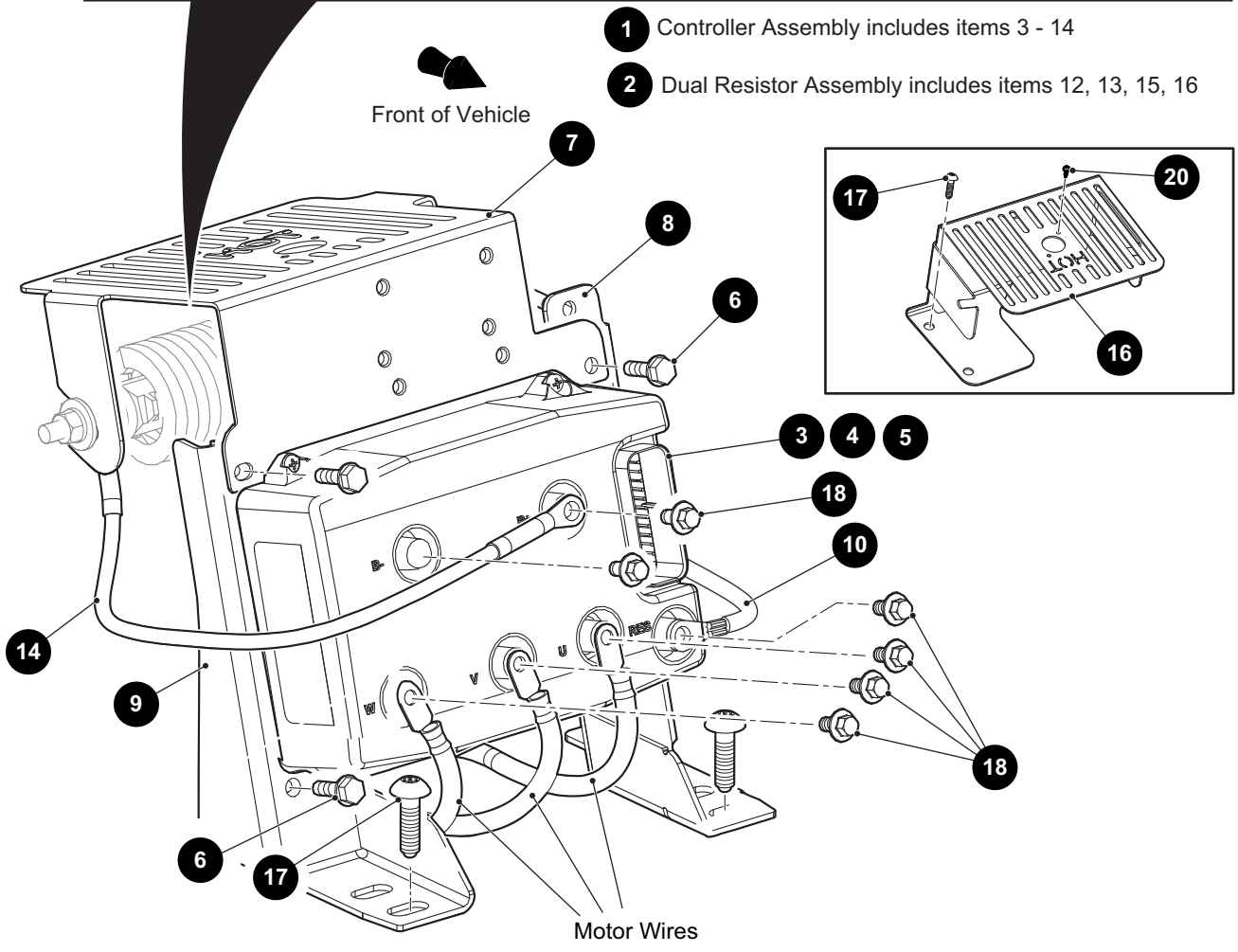


| ITEM | PART NO. | QTY. | DESCRIPTION | NOTES |
|------|-------------|------|---------------------------------------------|-----------------------|
| 1 | 10026689G01 | 1 | Controller Assembly | Includes Items 2 - 11 |
| 2 | 623213 | 1 | • Controller Bracket | Passenger Side |
| 3 | 623170 | 1 | • Controller Bracket | Driver Side |
| 4 | 10036853G01 | 1 | • Resistor Assembly, .86 Ohm Rating | |
| 5 | 645964 | 1 | • Heat Shield | |
| 6 | 10027121G01 | 1 | • Programmed Controller Kit | For Fleet |
| 7 | 10027112G01 | 1 | • Programmed Controller Kit | For Freedom |
| 8 | 10027109G01 | 1 | • Programmed Controller Kit | For Freedom 2+2 |
| 9 | 606264 | 4 | • Flanged Hex Head Bolt, M6 - 1 x 20mm Lg | Grade 8.8 |
| 10 | 00565G8 | 2 | • Lock Washer, 5/16" | |
| 11 | 00571G2 | 4 | • Flat Washer, 5/16" | |
| 12 | 624611 | 1 | #10 AWG White Wire | |
| 13 | 73876G01 | 6 | Flanged Hex Head Bolt, M6 - 1 x 12mm Lg | Grade 8.8 |
| 14 | 649804 | 2 | Button Head Torx Screw, M8 - 3.50 x 30mm Lg | |

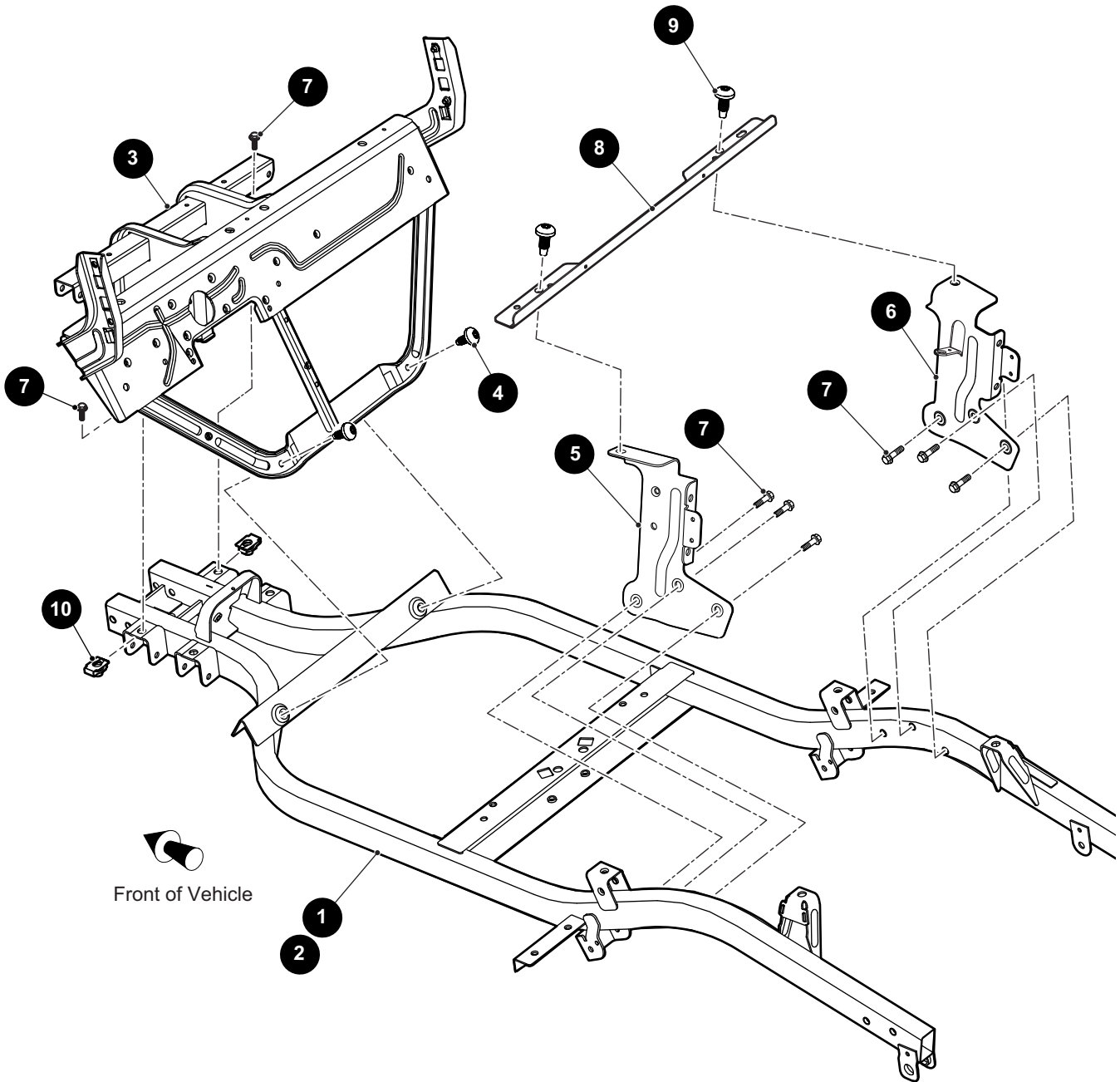
FOR VEHICLES WITH DUAL RESISTOR OPTION



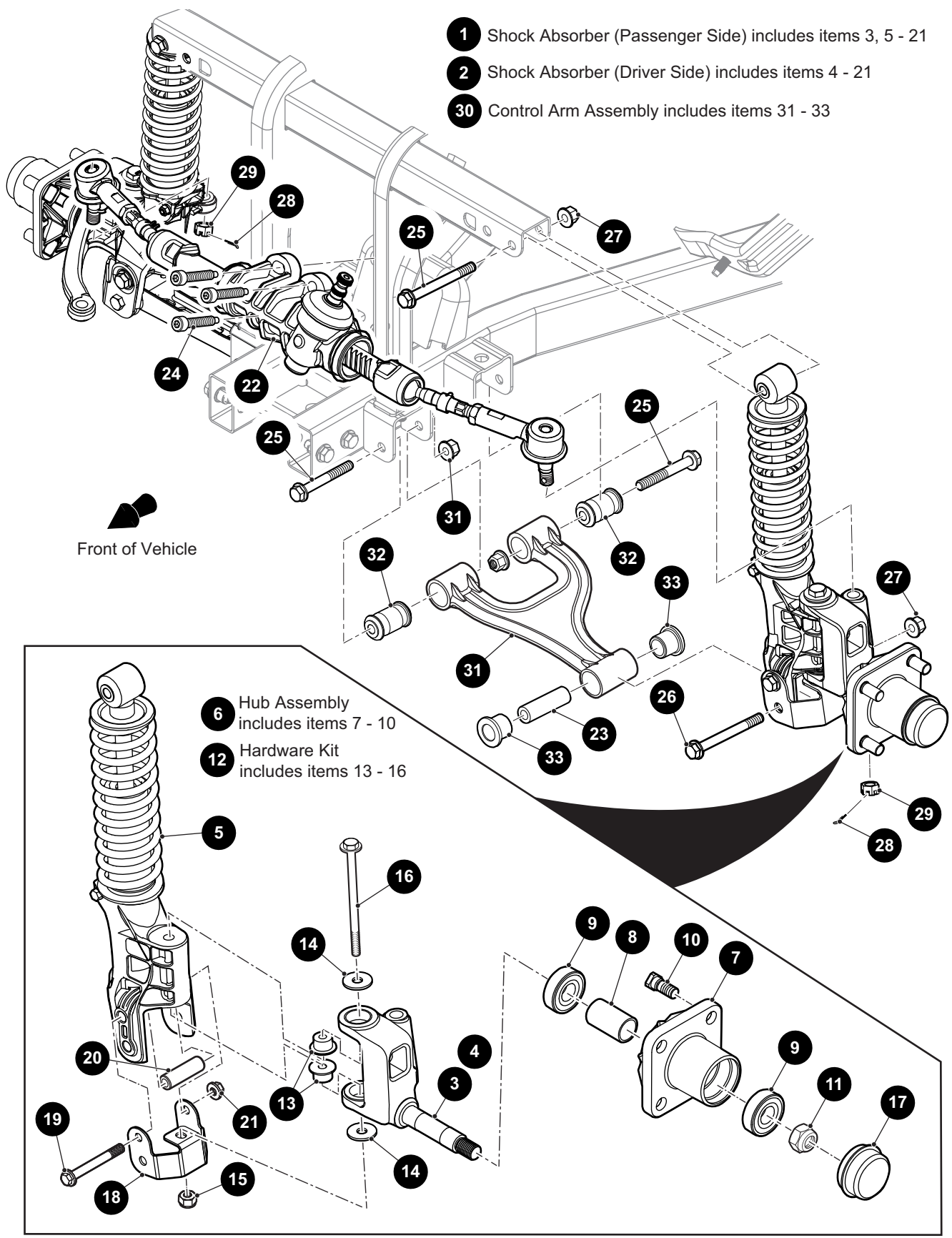
- 1 Controller Assembly includes items 3 - 14
- 2 Dual Resistor Assembly includes items 12, 13, 15, 16



| ITEM | PART NO. | QTY. | DESCRIPTION | NOTES |
|------|-------------|------|---------------------------------------------|-------------------------------|
| 1 | 10026689G02 | 1 | Dual Resistor Controller Assembly | Includes Items 3 - 14 |
| 2 | 685540 | 1 | Dual Resistor Assembly | Includes Items 12, 13, 15, 16 |
| 3 | 10027121G01 | 1 | • Programmed Controller Kit | For Fleet |
| 4 | 10027112G01 | 1 | • Programmed Controller Kit | For Freedom |
| 5 | 10027109G01 | 1 | • Programmed Controller Kit | For Freedom 2+2 |
| 6 | 606264 | 4 | • Flanged Hex Head Bolt, M6 - 1 x 20mm Lg | Grade 8.8 |
| 7 | 645964 | 1 | • Heat Shield | |
| 8 | 623170 | 1 | • Controller Bracket | Driver Side |
| 9 | 623213 | 1 | • Controller Bracket | Passenger Side |
| 10 | 683048 | 1 | • Dual Resistor Harness | |
| 11 | 10036853G02 | 1 | • Resistor Assembly, .42 Ohm Rating | |
| 12 | 00571G2 | 4 | • Flat Washer, 5/16" | |
| 13 | 00565G8 | 2 | • Lock Washer, 5/16" | |
| 14 | 624611 | 1 | • #10 AWG White Wire | |
| 15 | 607701 | 1 | • Resistor, 042 Ohm Rating | |
| 16 | 683801 | 1 | • Resistor Bracket | |
| 17 | 649804 | 2 | Button Head Torx Screw, M8 - 3.50 x 30mm Lg | |
| 18 | 73876G01 | 6 | Flanged Hex Head Bolt, M6 - 1 x 12mm Lg | Grade 8.8 |
| 19 | 17618G1 | 2 | Nylon Clamp, 8" Lg | Not Illustrated |
| 20 | 00614-G4 | 2 | Pan Head Phillips Self Drilling Screw | #8 - 18 x 1/2" Lg |

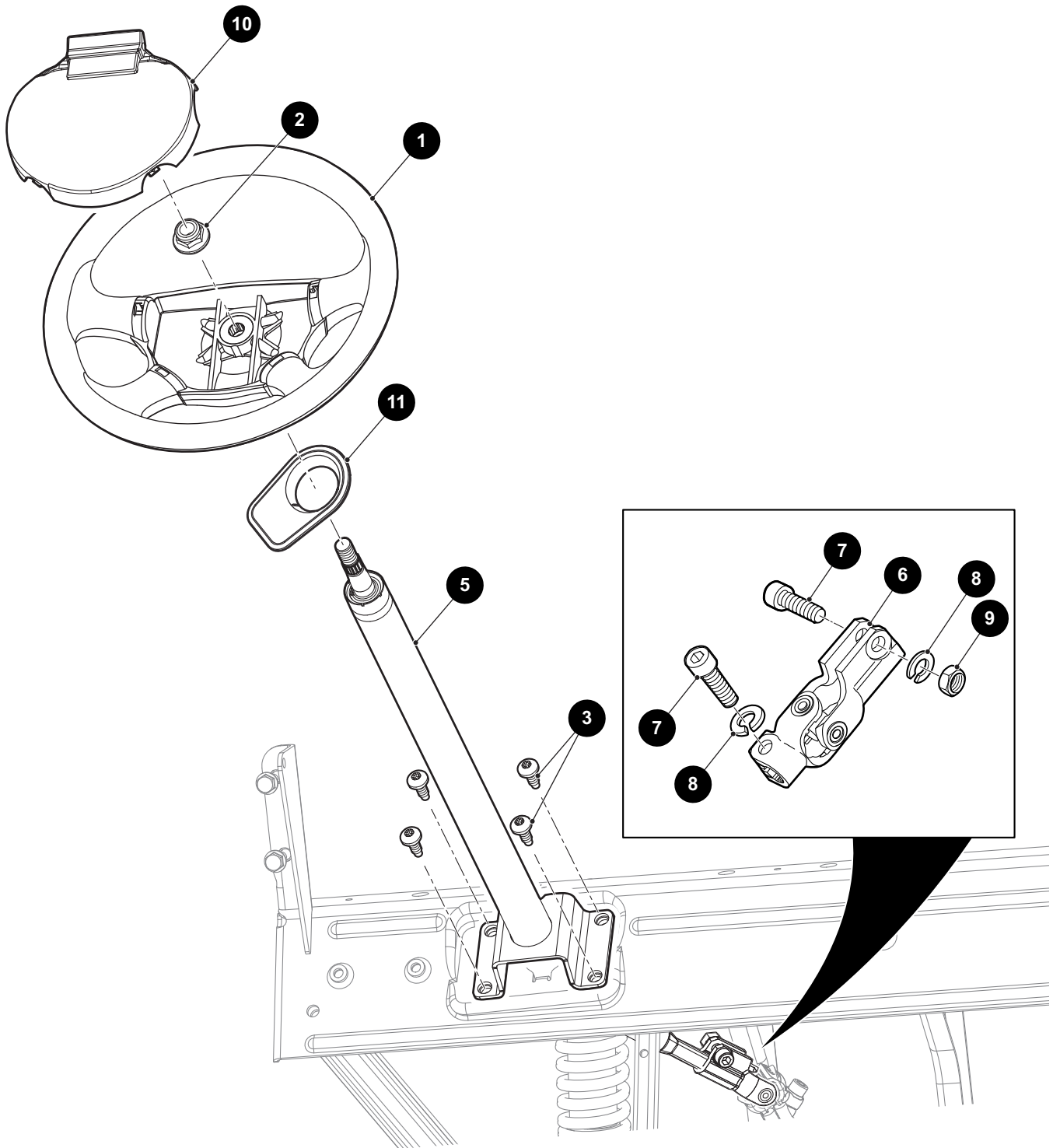


| ITEM | PART NO. | QTY. | DESCRIPTION | NOTES |
|------|-------------|------|--------------------------------------------|----------------|
| 1 | 10047198G03 | 1 | Frame, E/Coat & P/Coat | |
| 2 | 10047198G04 | 1 | Frame, P/Coat | |
| 3 | 10033531 | 1 | Dash Panel Support | |
| 4 | 602572 | 2 | Pan Head Taptite Bolt, M10 - 1.5 x 25mm Lg | Grade 8.8 |
| 5 | 600218 | 1 | Seat Support Bracket | Driver Side |
| 6 | 613187 | 1 | Seat Support Bracket | Passenger Side |
| 7 | 603799 | 8 | Flanged Hex Head Bolt, M10 - 1.5 x 25mm Lg | Grade 8.8 |
| 8 | 601275 | 1 | Seat Support Brace | |
| 9 | 602572 | 2 | Pan Head Taptite Bolt, M10 - 1.5 x 25mm Lg | Grade 8.8 |
| 10 | 603818 | 2 | Barrel Clip, M10 - 1.5 | |

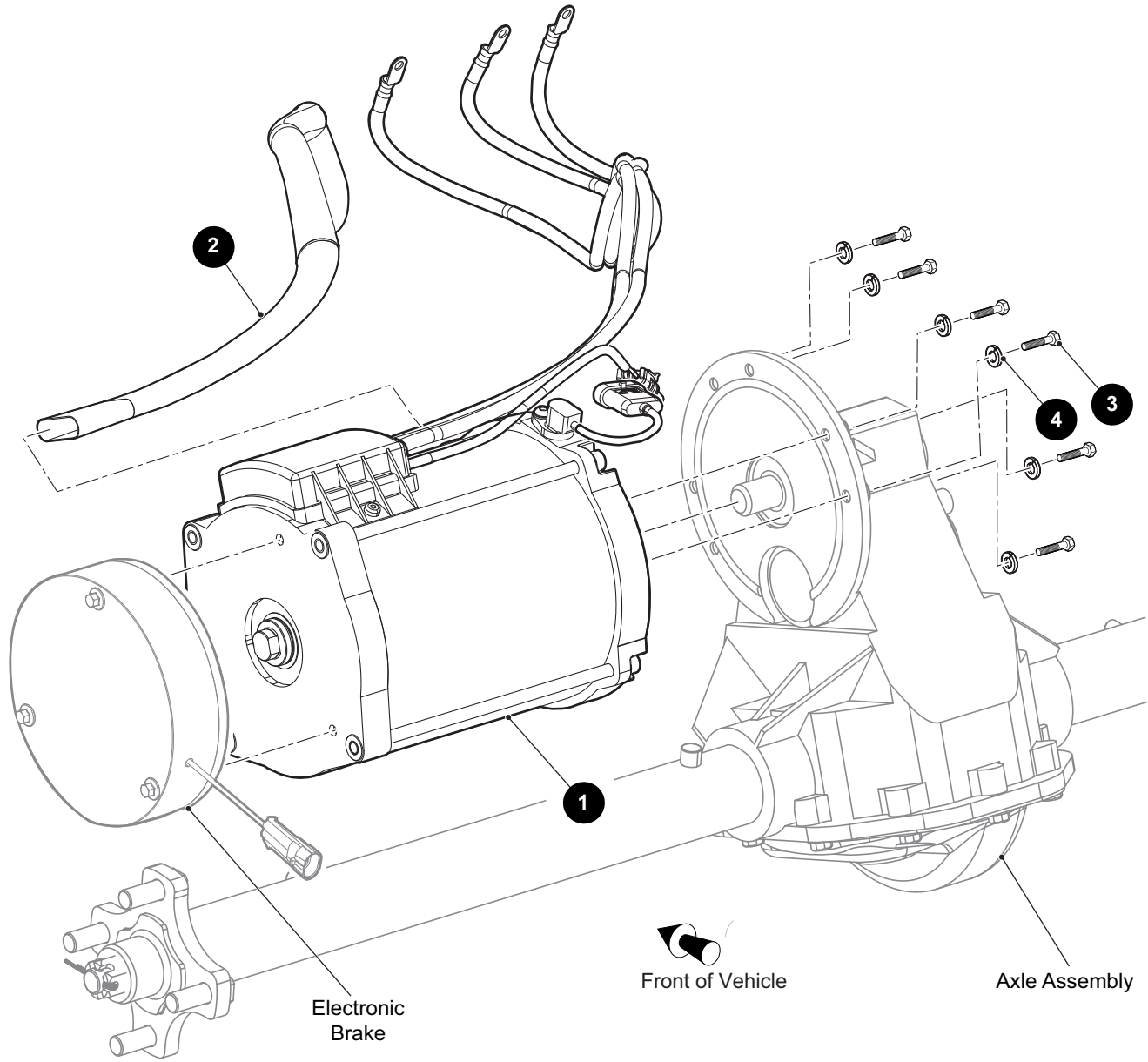


| ITEM | PART NO. | QTY. | DESCRIPTION | NOTES |
|------|-------------|------|---------------------------------------------|-------------------------------|
| 1 | 10018909G02 | 1 | Shock Absorber, Passenger Side | Includes Items 3, 5 - 21 |
| 2 | 10018909G01 | 1 | Shock Absorber, Driver Side | Includes Items 4 - 21 |
| 3 | 10018910G02 | 1 | • Spindle | Passenger Side |
| 4 | 10018910G01 | 1 | • Spindle | Driver Side |
| 5 | 10005649 | 1 | • Strut Assembly | |
| 6 | 10010785 | 1 | • Hub Assembly | Includes Items 7 - 10 |
| 7 | * | 1 | • • Hub | |
| 8 | * | 1 | • • Bearing Spacer | 28mm O.D.x22mm I.D.x46.7mm Lg |
| 9 | * | 2 | • • Ball Bearing, 47mm O.D.x20mm I.D.x14mm | |
| 10 | 19862G1 | 4 | • • Wheel Bolt, 1/2" - 20 x 1.218" Lg | |
| 11 | 615109 | 1 | • Lock Nut, M16 - 2 | |
| 12 | 10022856 | 1 | • Hardware Kit | Includes Items 13 - 16 |
| 13 | 699702 | 2 | • • King Pin, 25mm | |
| 14 | 699701 | 2 | • • Washer, 30mm O.D x 10.5mm I.D x 2.5mm | |
| 15 | 616675 | 1 | • • Lock Nut, M10 x 1.50 | |
| 16 | 10006771 | 1 | • • Flanged Hex Head Bolt, M10-1.5x130mm Lg | Grade 8.8 |
| 17 | 12091G2 | 1 | • Spindle Cap | |
| 18 | 10001464 | 1 | • Knuckle Support Bracket | |
| 19 | 601754 | 1 | • Flanged Hex Head Bolt, M10-1.5 x 100mm Lg | Grade 10.9 |
| 20 | 10017728 | 1 | • Tube, 18.5 O.D x 10.8 I.D x 59.35mm Lg | |
| 21 | * | 1 | • Flanged Hex Nut, M10 x 1.5 | |
| 22 | 10033613 | 1 | Steering Rack Assembly | |
| 23 | 602085 | 2 | Control Arm Carrier Tube | |
| 24 | 602020 | 3 | Socket Head Torx Bolt, M10 - 1.5 x 50mm Lg | Grade 8.8 |
| 25 | 602415 | 6 | Flanged Hex Head Bolt, M10 - 1.5 x 80mm Lg | Grade 12.9 |
| 26 | 601754 | 2 | Flanged Hex Head Bolt, M10 - 1.5 x 100mm Lg | Grade 10.9 |
| 27 | 600525 | 8 | Lock Nut, M10 - 1.5 | |
| 28 | 10387G2 | 2 | Cotter Pin, .094" x 1" | |
| 29 | 608005 | 2 | Castle Nut, M12 - 1.25 | SS |
| 30 | 10005744 | 1 | Control Arm Assembly | Includes Items 31 - 33 |
| 31 | 10007496 | 1 | • Control Arm | |
| 32 | 10010790 | 2 | • Isolator Sleeve | Rubber |
| 33 | 601340 | 2 | • Bushing | |

4 Steering Column Assembly includes items 5 - 9

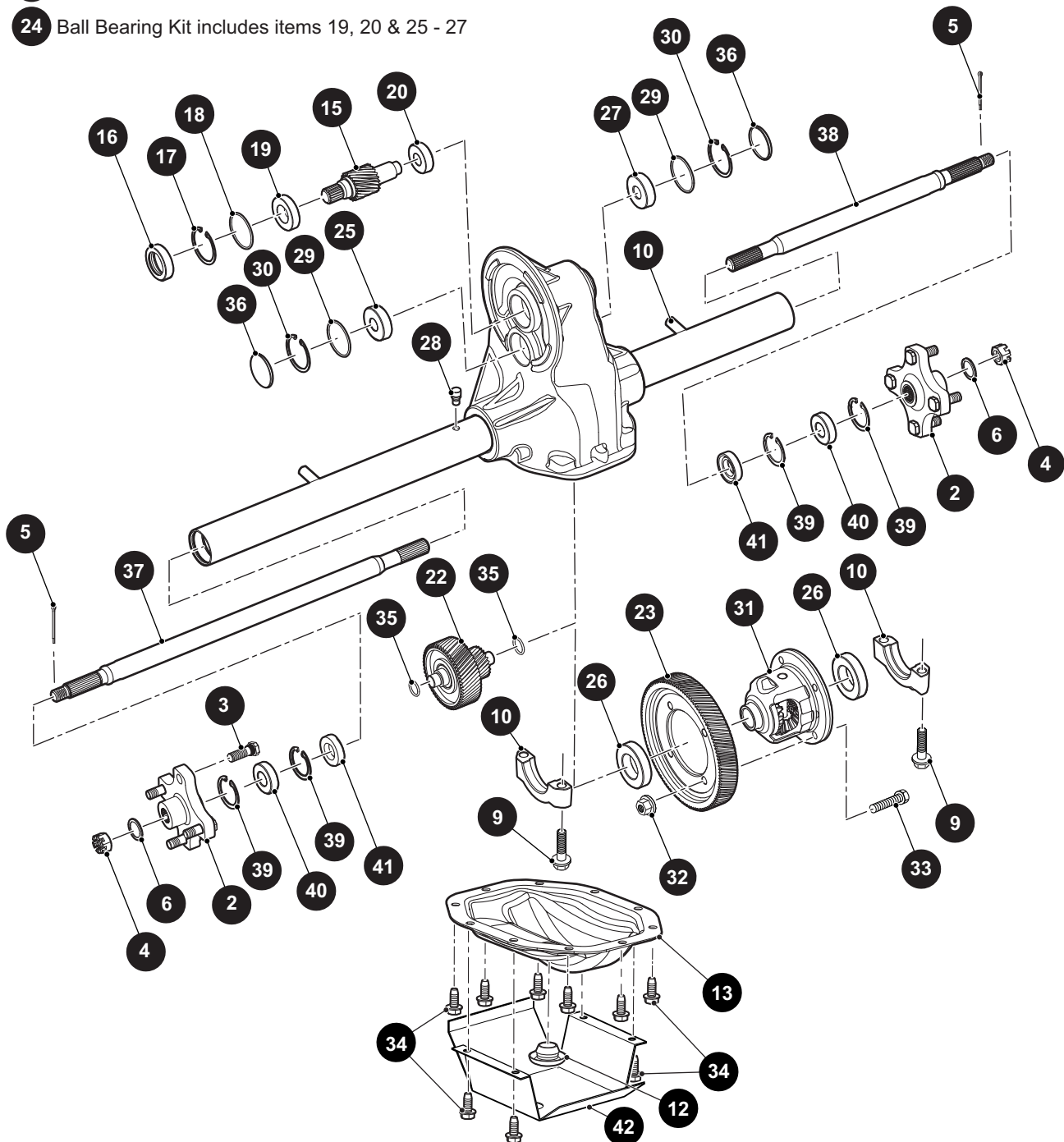


| ITEM | PART NO. | QTY. | DESCRIPTION | NOTES |
|------|-------------|------|--------------------------------------------|----------------------|
| 1 | 602980 | 1 | Steering Wheel | |
| 2 | 601709 | 1 | Flanged Lock Nut, M16 - 2 | |
| 3 | 602572 | 4 | Pan Head Taptite Bolt, M10 - 1.5 x 25mm Lg | Grade 8.8 |
| 4 | 691365 | 1 | Steering Column Assembly | Includes Items 5 - 9 |
| 5 | 691315 | 1 | • Steering Column | |
| 6 | 608114 | 1 | • Steering Yoke | |
| 7 | 608653 | 2 | • Socket Head Bolt, M10 - 1.5 x 35mm Lg | |
| 8 | 608654 | 2 | • Lock Washer, 10.5mm | |
| 9 | 608655 | 1 | • Hex Nut, M10 - 1.5 | |
| 10 | 607925 | 1 | Scorecard Holder | |
| 11 | 10011107G01 | 1 | Steering Column Grommet | |



| ITEM | PART NO. | QTY. | DESCRIPTION | NOTES |
|------|----------|------|---------------------------------|-----------------|
| 1 | 680638 | 1 | Motor, 48V AC | |
| 2 | 605714 | 1 | Flex Loom Sleeve | |
| 3 | 605741 | 6 | Hex Head Bolt, M6 - 1 x 25mm Lg | |
| 4 | 601327 | 6 | Lock Washer, M6 | SS |
| 5 | 32372G6 | 1 | Vinyl Trim | Not Illustrated |
| 6 | 27327G02 | 1 | Twisted Clamp Clip | Not Illustrated |

- 1 Axle Assembly 16.99:1 includes items 2 - 51
- 7 Axle, 16.99:1 includes items 10 - 51
- 8 Axle Housing includes items 9, 10
- 11 Differential Cover Assembly Kit includes items 12, 13
- 14 Input Gear Kit includes items 15 - 20
- 21 Internal Gears Kit includes items 15, 22 & 23
- 24 Ball Bearing Kit includes items 19, 20 & 25 - 27

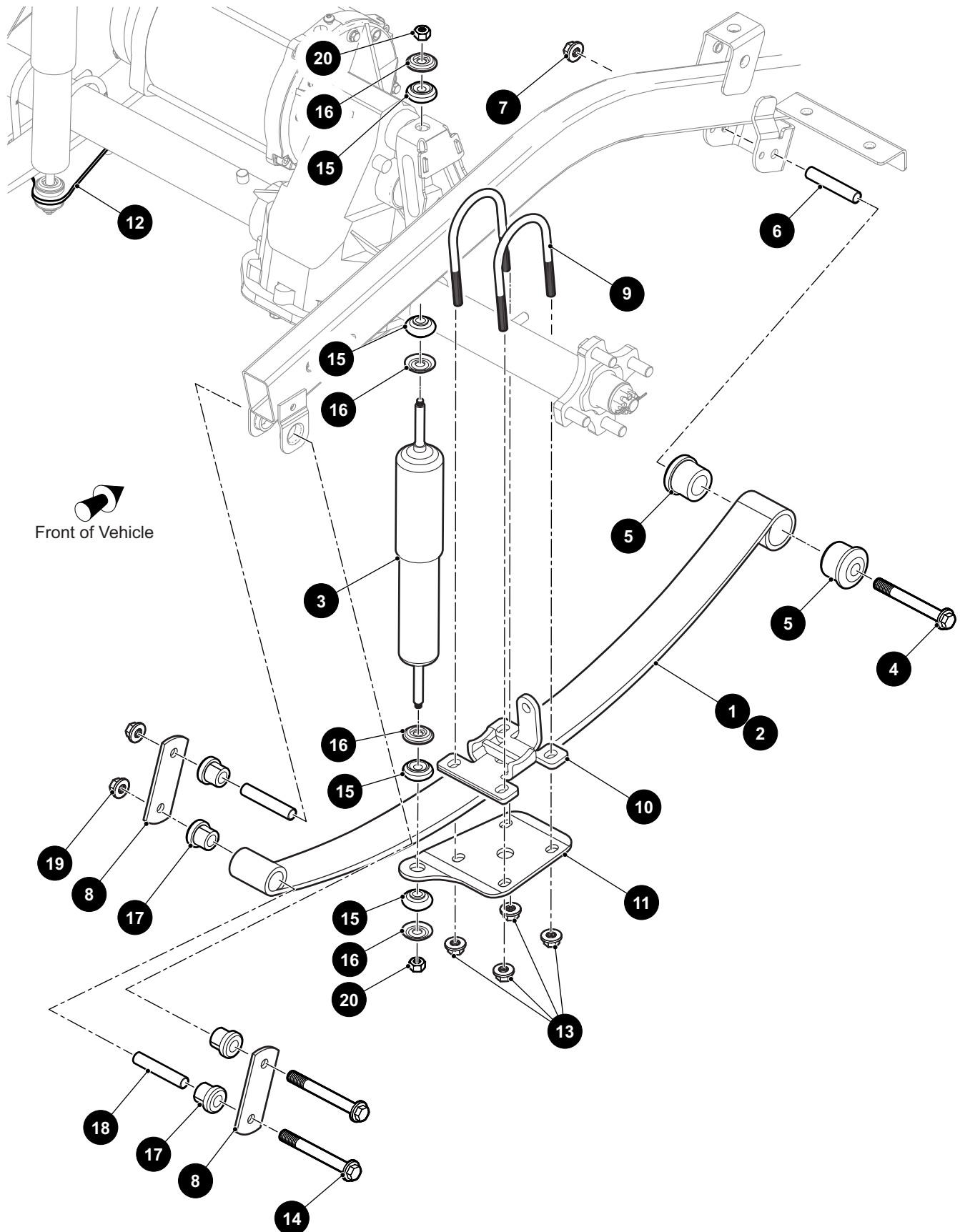


| ITEM | PART NO. | QTY. | DESCRIPTION | NOTES |
|------|----------|------|--------------------------------------------------|---------------------------------|
| 1 | 10029349 | 1 | Axle Assembly 16.99:1 | Includes Items 2 - 41 |
| 2 | 604112 | 2 | • Rear Axle Hub | |
| 3 | 644957 | 8 | • Wheel Bolt | |
| 4 | 612928 | 2 | • Slotted Hex Nut, 5/8" - 18 | |
| 5 | 10387G1 | 2 | • Cotter Pin, 5/32" x 1 3/4" Lg | |
| 6 | 15487G1 | 2 | • Flat Washer (Brake Drum), 1.5"O.D x .76" I.D. | |
| 7 | 10030506 | 1 | • Axle, 16.99:1 | Includes Items 8 - 41 |
| 8 | *** | 1 | • • Axle Housing | Includes Items 9, 10 |
| 9 | * | 4 | • • • Flanged Hex Head Bolt, 3/8" - 16x2.12" Lg | |
| 10 | 618650 | 2 | • • • Axle Bracket Locating Pin | |
| 11 | 620363 | 1 | • • • Differential Cover Assembly Kit | Includes Items 12, 13 |
| 12 | 620347 | 1 | • • • Rubber Plug | |
| 13 | 620348 | 1 | • • • Differential Cover Plate | |
| 14 | 620329 | 1 | • • Input Gear Kit | Includes Items 15 - 20 |
| 15 | 620327 | 1 | • • • Input Gear | |
| 16 | 620328 | 1 | • • • Oil Seal | |
| 17 | 23530G1 | 1 | • • • Retaining Ring, 2.059" Dia | |
| 18 | 24628G1 | 1 | • • • O-Ring Seal, 1.84" I.D. | |
| 19 | * | 1 | • • • Ball Bearing, .984" I.D. x 1.85" O.D. | |
| 20 | 23520G1 | 1 | • • • Ball Bearing, .669" I.D. x 1.97" O.D. | |
| 21 | 620361 | 1 | • • Internal Gears Kit | Includes Items 15, 22 & 23 |
| 22 | 620349 | 1 | • • • Intermediate Gear Assembly | |
| 23 | 620350 | 1 | • • • Drive Gear | |
| 24 | 620362 | 1 | • • Ball Bearing Kit | Includes Items 19, 20 & 25 - 27 |
| 25 | 620340 | 1 | • • • Ball Bearing | |
| 26 | 17473G1 | 2 | • • • Differential Bearing Assembly | |
| 27 | 620355 | 1 | • • • Ball Bearing | |
| 28 | 620357 | 1 | • • Axle Vent | |
| 29 | 620358 | 2 | • • O-Ring | |
| 30 | 620359 | 2 | • • Retaining Ring | |
| 31 | 614059 | 1 | • • Limited Slip Differential | |
| 32 | 601084 | 4 | • • Lock Nut, 3/8" - 24 | |
| 33 | * | 4 | • • Flanged Hex Head Bolt, 3/8" - 24 x 1 1/4" Lg | |

Rear Axle

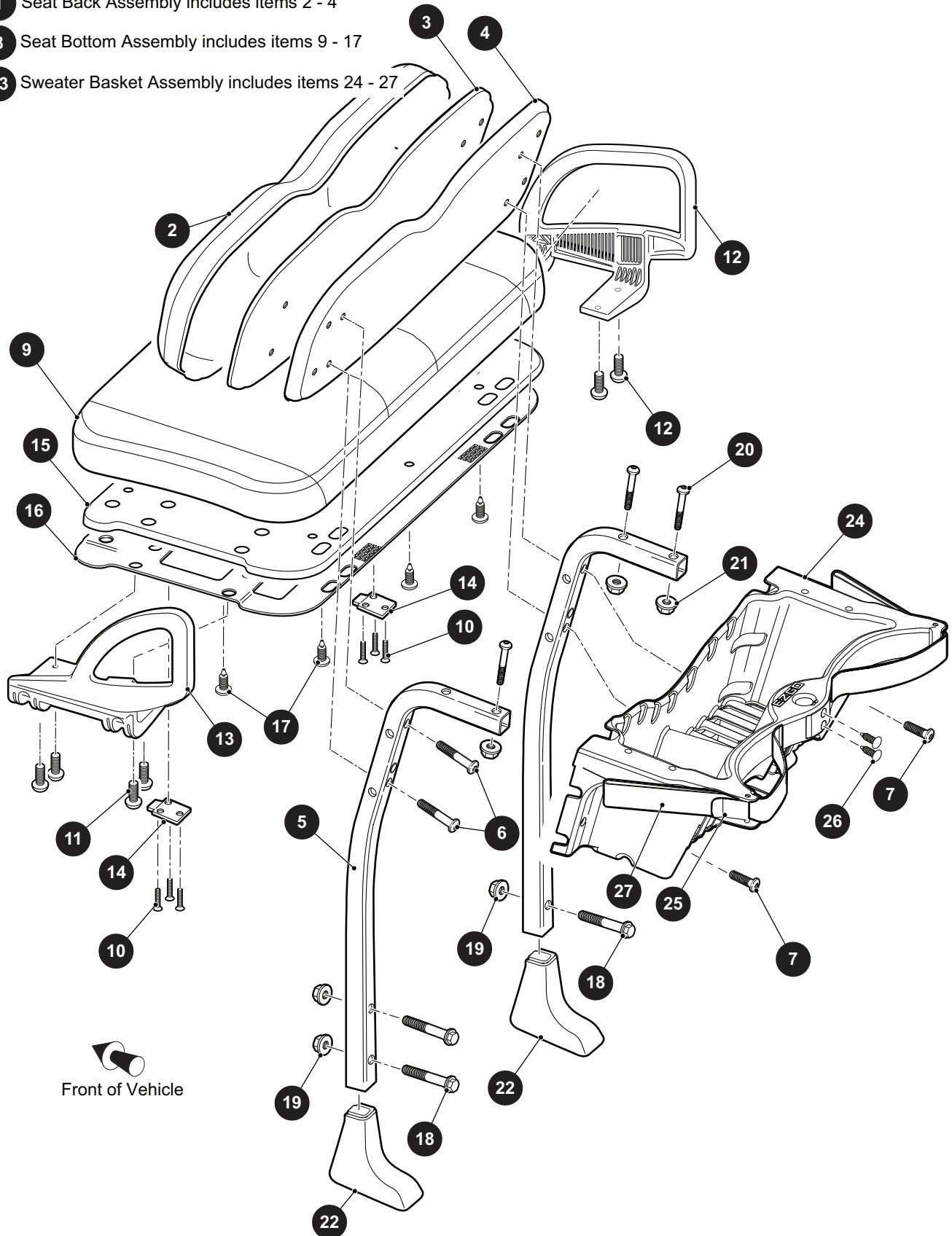


| ITEM | PART NO. | QTY. | DESCRIPTION | NOTES |
|------|----------|------|-------------------------------------------------|----------------|
| 34 | 620346 | 10 | • • Flanged Hex Head Bolt, 5/16" - 18 x 3/4" Lg | |
| 35 | 620345 | 2 | • • O-Ring | |
| 36 | 608811 | 2 | • • End Cap Plug | |
| 37 | 614208 | 1 | • • Axle Shaft, Long | Driver Side |
| 38 | 614209 | 1 | • • Axle Shaft, Short | Passenger Side |
| 39 | * | 4 | • • Retaining Ring | |
| 40 | * | 2 | • • Ball Bearing | |
| 41 | * | 2 | • • Oil Seal | |
| 42 | 72763G02 | 1 | Scuff Guard | |



| ITEM | PART NO. | QTY. | DESCRIPTION | NOTES |
|------|----------|------|---------------------------------------------|----------------------------------|
| 1 | 10027130 | 2 | Tapered Leaf Spring | For Fleet and Freedom |
| 2 | 10027610 | 2 | Tapered Leaf Spring | Heavy Duty |
| 3 | 10024650 | 2 | Shock Absorber | |
| 4 | 601754 | 2 | Flanged Hex Head Bolt, M10 - 1.5 x 100mm Lg | Grade 10.9 |
| 5 | 10029179 | 4 | Flanged Bushing | Urethane |
| 6 | 10030184 | 2 | Split Spacer | Steel |
| 7 | 600525 | 2 | Flanged Lock Nut, M10 - 1.5 | |
| 8 | 652245 | 4 | Shackle Plate | |
| 9 | 10011091 | 4 | U-Bolt, 65mm Dia. x 35mm x 105mm Lg | |
| 10 | 10023387 | 2 | Axle Support Bracket | |
| 11 | 625658 | 1 | Shock Mount Plate | Passenger Side |
| 12 | 625657 | 1 | Shock Mount Plate | Driver Side |
| 13 | 600525 | 8 | Flanged Lock Nut, M10 - 1.5 | |
| 14 | 601754 | 4 | Flanged Hex Head Bolt, M10 - 1.5 x 100mm Lg | Grade 10.9 |
| 15 | 10194G1 | 8 | Rubber Bushing | |
| 16 | 10435G1 | 8 | Shock Absorber Washer | 1.25" O.D. x .406" I.D x .22" Lg |
| 17 | 10025892 | 8 | Flanged Bushing | |
| 18 | 10030184 | 4 | Split Spacer | Steel |
| 19 | 600525 | 4 | Flanged Lock Nut, M10 - 1.5 | |
| 20 | * | 4 | Hex Nut, 3/8" - 24 | |

- 1 Seat Back Assembly includes items 2 - 4
- 8 Seat Bottom Assembly includes items 9 - 17
- 23 Sweater Basket Assembly includes items 24 - 27

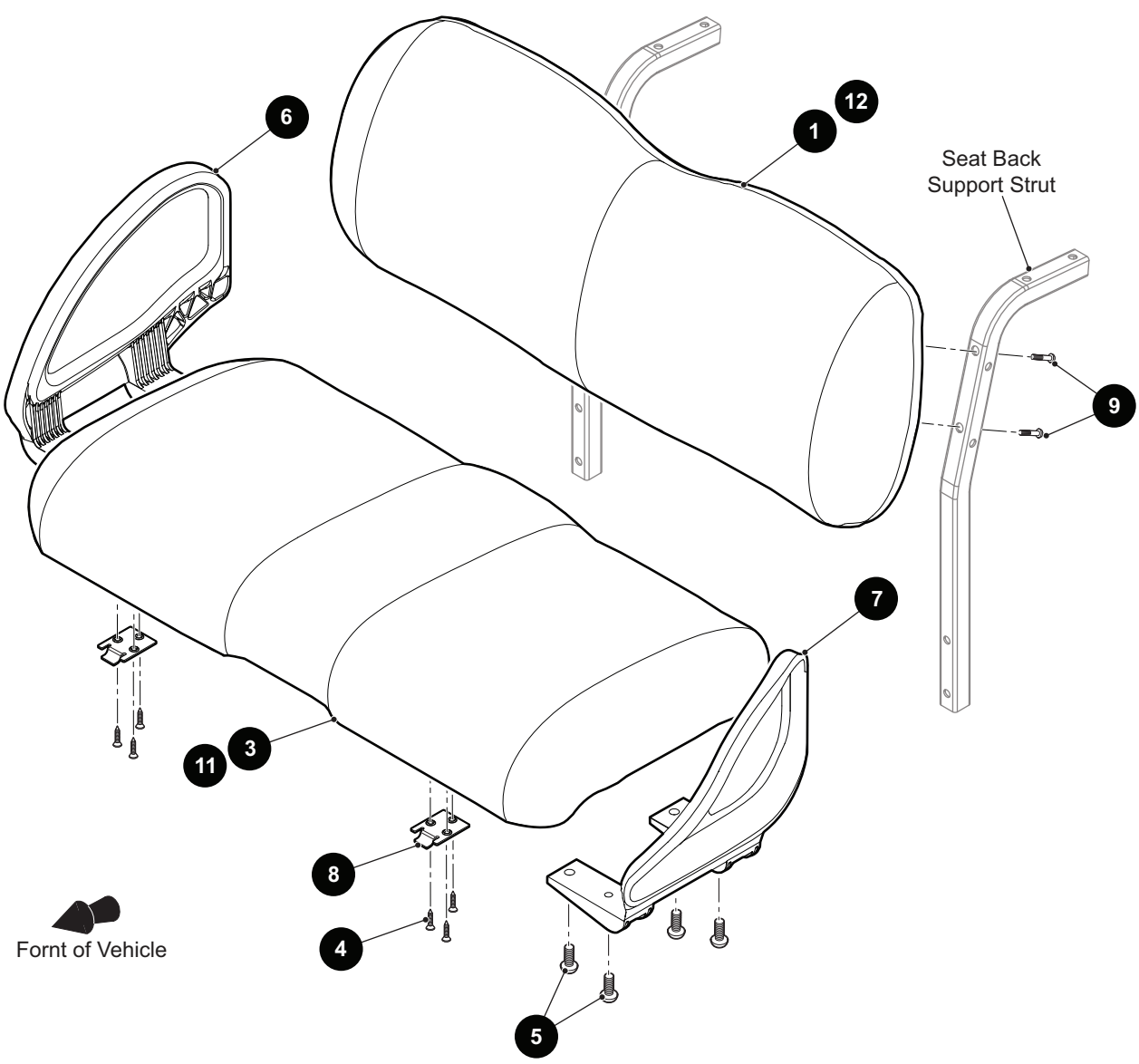


| ITEM | PART NO. | QTY. | DESCRIPTION | NOTES |
|------|----------|------|-------------------------------------------------------------------------------------------------------------------------------------------------------------------------------------|------------------------|
| 1 | *** | 1 | Seat Back Assembly 641897G0001 Oyster 641897G0002 Stone Beige 641897G0006 Black 641897G0004 Gray | Includes Items 2 - 4 |
| 2 | *** | 1 | <ul style="list-style-type: none"> Vinyl Seat Back Cover 644820G01 Oyster 644820G02 Stone Beige 644820G06 Black 644820G04 Gray | |
| 3 | 605529 | 1 | <ul style="list-style-type: none"> Seat Back Cover | |
| 4 | 644268 | 1 | <ul style="list-style-type: none"> Seat Back Hip Base | |
| 5 | 602413 | 2 | Seat Back Support Strut | |
| 6 | 10029147 | 4 | Button Head Torx Bolt, M10 - 1.5 x 60mm Lg | Grade 8.8 |
| 7 | 600530 | 2 | Button Head Torx Bolt, M10 - 1.5 x 25mm Lg | Grade 8.8 |
| 8 | *** | 1 | Seat Bottom Assembly 629269G4001 Oyster 629269G4002 Stone Beige 629269G4006 Black 629269G4004 Gray | Includes Items 9 - 17 |
| 9 | *** | 1 | <ul style="list-style-type: none"> Vinyl Seat Bottom Cover 644819G01 Oyster 644819G02 Stone Beige 644819G06 Black 644819G04 Gray | |
| 10 | 00720G08 | 6 | <ul style="list-style-type: none"> Flat Head Phillips Tapping Screw | #12 - 14 x 1" Lg |
| 11 | 615417 | 8 | <ul style="list-style-type: none"> Button Head Torx Bolt, M10 - 1.5 x 25mm Lg | |
| 12 | 617644 | 1 | <ul style="list-style-type: none"> Hip Restraint | Passenger Side |
| 13 | 617645 | 1 | <ul style="list-style-type: none"> Hip Restraint | Driver Side |
| 14 | 71610G01 | 2 | <ul style="list-style-type: none"> Seat Hinge | |
| 15 | 10007867 | 1 | <ul style="list-style-type: none"> Base Assembly | |
| 16 | 602551 | 1 | <ul style="list-style-type: none"> Seat Bottom Cover | |
| 17 | 16816G2 | 4 | <ul style="list-style-type: none"> Ratchet Rivet, .25 x .887 | |
| 18 | 603800 | 4 | Flanged Hex Head Bolt, M10 - 1.5 x 50mm Lg | Grade 8.8 |
| 19 | 600525 | 4 | Flanged Lock Nut, M10 - 1.5 | |
| 20 | 600527 | 4 | Button Head Torx Bolt, M10 - 1.5 x 60mm Lg | Grade 8.8 |
| 21 | 600525 | 4 | Flanged Lock Nut, M10 - 1.5 | |
| 22 | 645088 | 2 | Seat Back Support Strut Cover | |
| 23 | 602742 | 1 | Sweater Basket Assembly | Includes Items 24 - 27 |



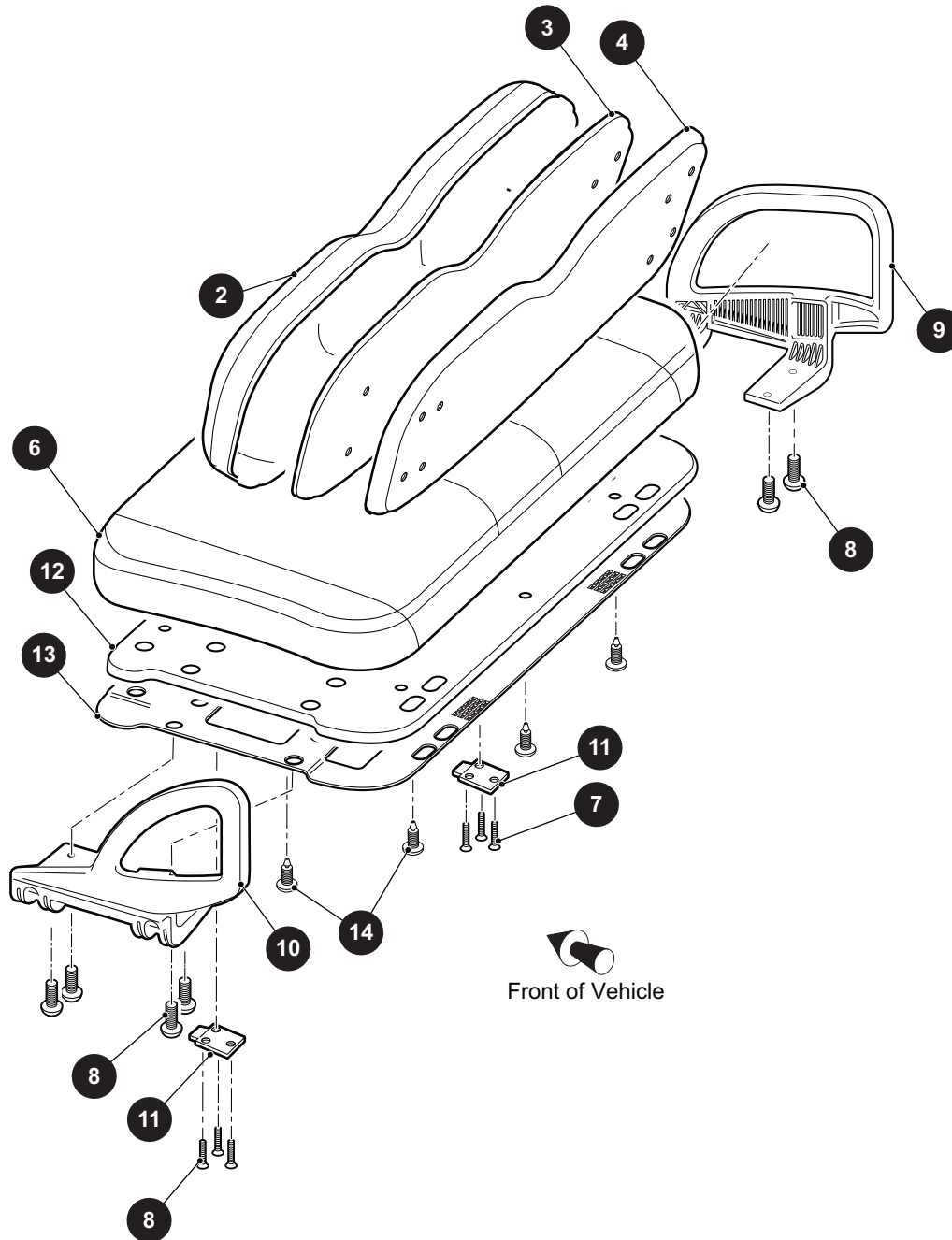
| ITEM | PART NO. | QTY. | DESCRIPTION | NOTES |
|------|----------|------|-------------------------------|-------|
| 24 | * | 1 | • Sweater Basket | |
| 25 | 608051 | 2 | • Clamp | |
| 26 | 16816G1 | 2 | • Ratchet Rivet, .25" x .680" | |
| 27 | 604102 | 1 | • Bag Strap | |

- 2 Premium Seat Bottom Assembly includes items 3 - 8
- 10 Premium Seat Bottom Assembly includes items 4 - 8, 11



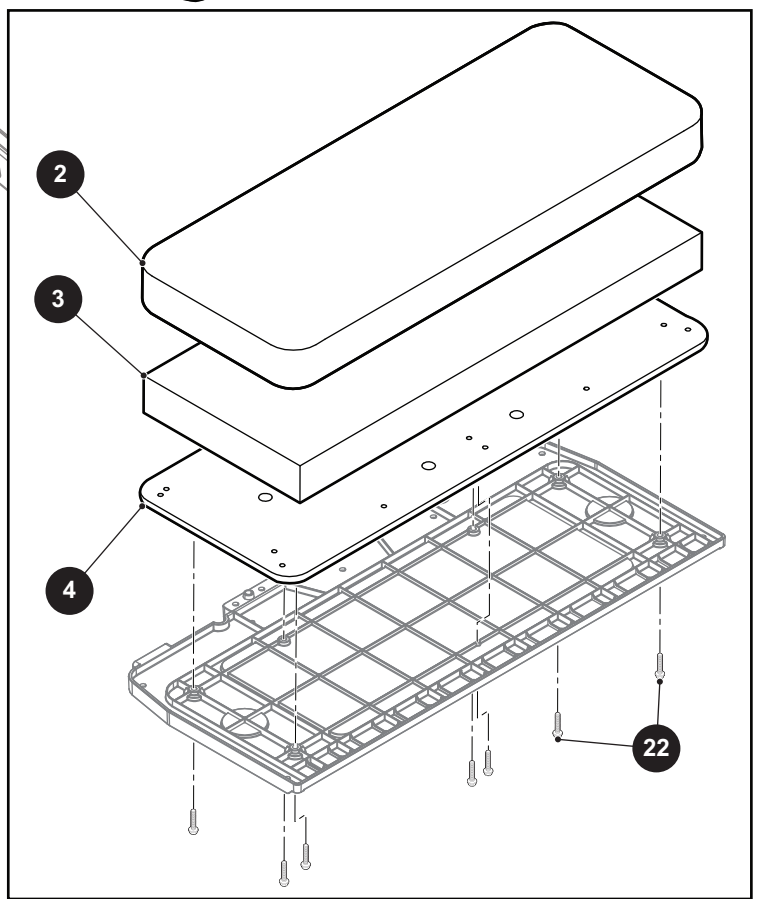
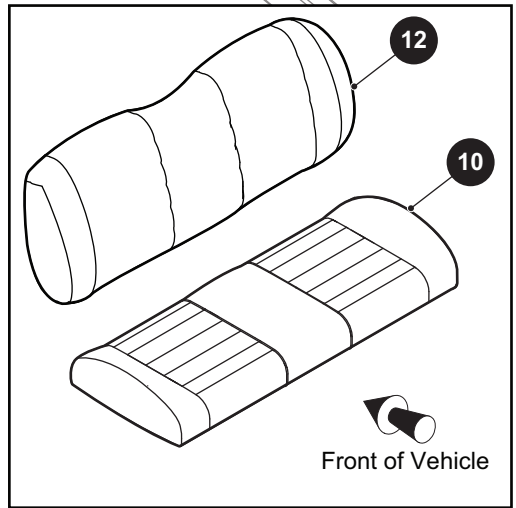
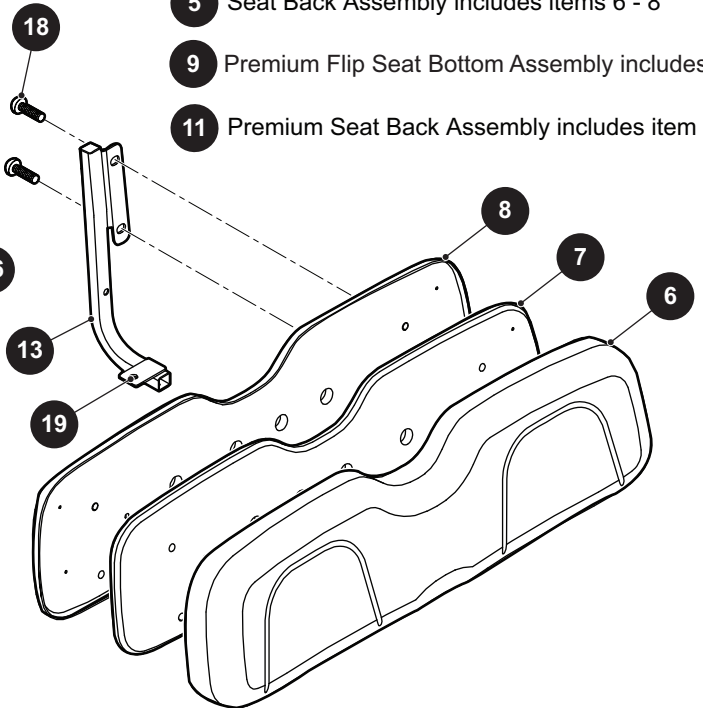
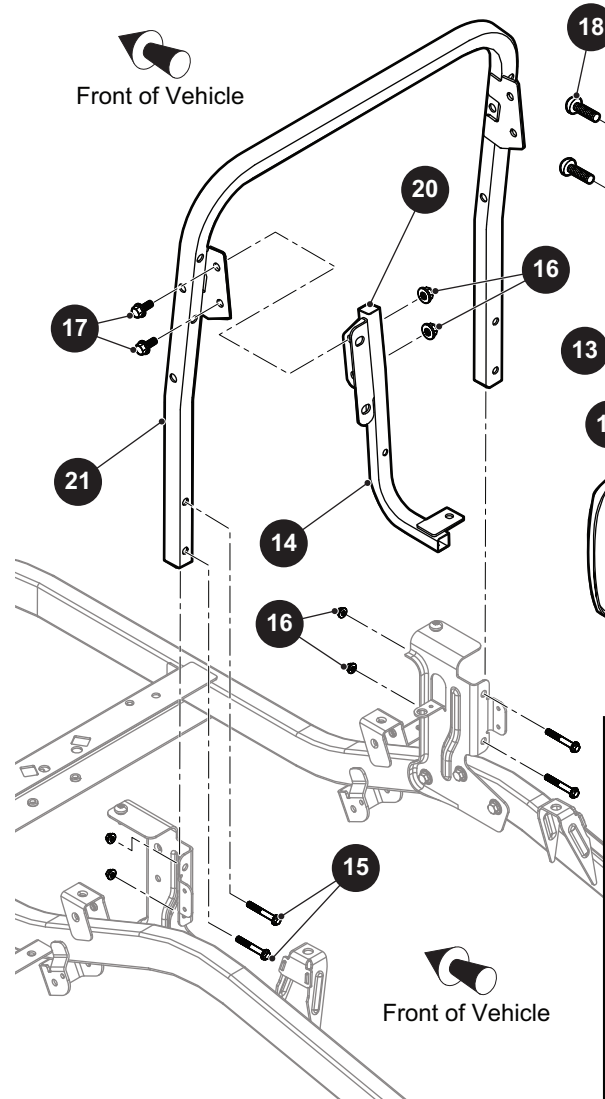
| ITEM | PART NO. | QTY. | DESCRIPTION | NOTES |
|------|----------|------|----------------------------------------------------------------------------------------------------------------------------------------------------------------------------------------------------|---------------------------------------------|
| 1 | *** | 1 | Premium Seat Back Assembly 10046623G18 Mushroom 10046623G19 Gray 10046623G20 Custom 10046623G21 Black | |
| 2 | *** | 1 | Premium Seat Bottom Assembly 629269G4618 Mushroom 629269G4619 Gray 629269G4620 Custom 629269G4621 Black | Includes Items 3 - 8 |
| 3 | *** | 1 | <ul style="list-style-type: none"> • Vinyl Seat Bottom Cover • 10046445G18 Mushroom • 10046445G19 Gray • 10046445G20 Custom • 10046445G21 Black | |
| 4 | 00720G08 | 6 | • Flat Head Phillips Tapping Screw | #12 - 14 x 1" Lg |
| 5 | 615417 | 8 | • Button Head Torx Bolt, M10 - 1.5 x 25mm Lg | |
| 6 | 617644 | 1 | • Hip Restraint | Passenger Side |
| 7 | 617645 | 1 | • Hip Restraint | Driver Side |
| 8 | 71610G01 | 2 | • Seat Hinge | |
| 9 | 10029147 | 4 | Button Head Torx Bolt, M10 - 1.5 x 60mm Lg | Grade 8.8 |
| 10 | *** | 1 | Premium Seat Bottom Assembly 629269G4623 Charcoal 629269G4624 Oyster 629269G4625 White | Includes Items 4 - 8, 11 For Freedom 2+2 |
| 11 | *** | 1 | <ul style="list-style-type: none"> • Vinyl Seat Bottom Cover • 10046445G23 Charcoal • 10046445G24 Oyster • 10046445G25 White | |
| 12 | *** | 1 | Premium Seat Back Assembly 10046623G23 Charcoal 10046623G24 Oyster 10046623G25 White | For Freedom 2+2 |

- 1 Seat Back Assembly includes items 2 - 4
- 5 Seat Bottom Assembly includes items 6 - 14



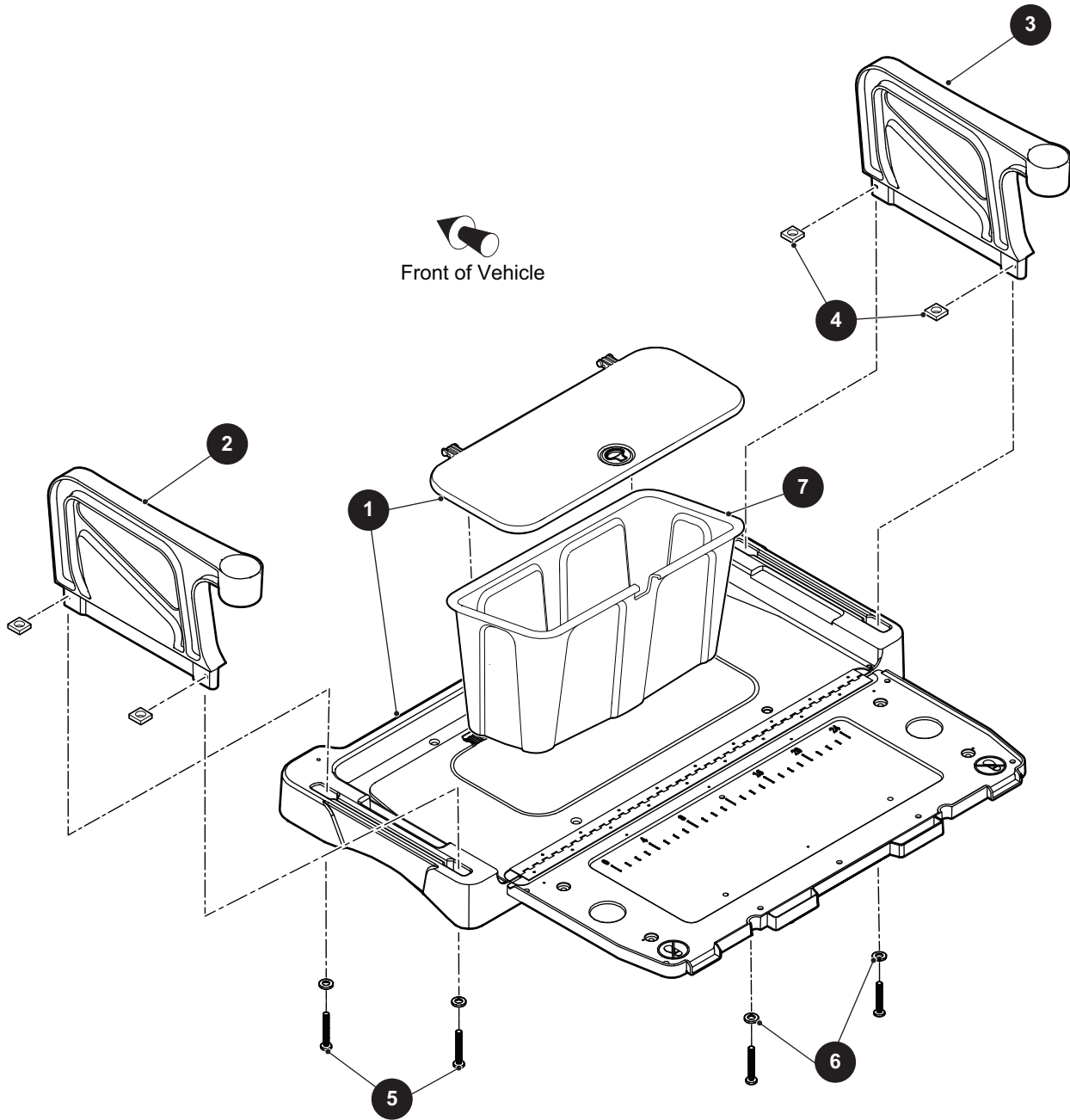
| ITEM | PART NO. | QTY. | DESCRIPTION | NOTES |
|------|----------|------|-------------------------------------------------------------------------------------------------------------------------------------------------------------------------------------|-----------------------|
| 1 | *** | 1 | Seat Back Assembly 641897G0001 Oyster 641897G0002 Stone Beige 641897G0006 Black 641897G0004 Gray | Includes Items 2 - 4 |
| 2 | *** | 1 | <ul style="list-style-type: none"> Vinyl Seat Back Cover 644820G01 Oyster 644820G02 Stone Beige 644820G06 Black 644820G04 Gray | |
| 3 | 605529 | 1 | <ul style="list-style-type: none"> Seat Back Cover | |
| 4 | 644268 | 1 | <ul style="list-style-type: none"> Seat Back Hip Base | |
| 5 | *** | 1 | Seat Bottom Assembly 629269G4001 Oyster 629269G4002 Stone Beige 629269G4006 Black 629269G4004 Gray | Includes Items 6 - 14 |
| 6 | *** | 1 | <ul style="list-style-type: none"> Vinyl Seat Bottom Cover 644819G01 Oyster 644819G02 Stone Beige 644819G06 Black 644819G04 Gray | |
| 7 | 00720G08 | 6 | <ul style="list-style-type: none"> Flat Head Phillips Tapping Screw | #12 - 14 x 1" Lg |
| 8 | 615417 | 8 | <ul style="list-style-type: none"> Button Head Torx Bolt, M10 - 1.5 x 25mm Lg | |
| 9 | 617644 | 1 | <ul style="list-style-type: none"> Hip Restraint | Passenger Side |
| 10 | 617645 | 1 | <ul style="list-style-type: none"> Hip Restraint | Driver Side |
| 11 | 71610G01 | 2 | <ul style="list-style-type: none"> Seat Hinge | |
| 12 | 10007867 | 1 | <ul style="list-style-type: none"> Base Assembly | |
| 13 | 602551 | 1 | <ul style="list-style-type: none"> Seat Bottom Cover | |
| 14 | 16816G2 | 4 | <ul style="list-style-type: none"> Ratchet Rivet, .25 x .887 | |

- 1 Flip Seat Bottom Assembly includes items 2 - 4
- 5 Seat Back Assembly includes items 6 - 8
- 9 Premium Flip Seat Bottom Assembly includes item 10
- 11 Premium Seat Back Assembly includes item 12



| ITEM | PART NO. | QTY. | DESCRIPTION | NOTES |
|------|----------|------|---------------------------------------------------------------------------------------------------------------------------------------------------------------------------------------------|----------------------|
| 1 | *** | 1 | Flip Seat Bottom Assembly 699321G01 Oyster 699321G02 Stone Beige 699321G04 Gray 699321G06 Black | Includes Items 2 - 4 |
| 2 | *** | 1 | <ul style="list-style-type: none"> Vinyl Seat Bottom 615646 Oyster 10027441 Stone Beige 617892 Gray 615648 Black | |
| 3 | 699297 | 1 | <ul style="list-style-type: none"> Seat Back Cover | |
| 4 | 644268 | 1 | <ul style="list-style-type: none"> Seat Back Hip Base | |
| 5 | *** | 1 | Seat Back Assembly 641897G0001 Oyster 641897G0002 Stone Beige 641897G0004 Gray 641897G0006 Black | Includes Items 6 - 8 |
| 6 | *** | 1 | <ul style="list-style-type: none"> Vinyl Seat Back Cover 644820G01 Oyster 644820G02 Stone Beige 644820G04 Gray 644820G06 Black | |
| 7 | 605529 | 1 | <ul style="list-style-type: none"> Seat Back Cover | |
| 8 | 644268 | 1 | <ul style="list-style-type: none"> Seat Back Hip Base | |
| 9 | *** | 1 | Premium Flip Seat Bottom Assembly 10046625G18 Mushroom 10046625G19 Gray 10046625G20 Custom 10046625G21 Black 10046625G23 Charcoal 10046625G24 Oyster 10046625G25 White | Includes Item 10 |
| 10 | 669061 | 1 | <ul style="list-style-type: none"> Flip Seat Bottom Combined | |
| 11 | *** | 1 | Premium Seat Back Assembly 10046623G18 Mushroom 10046623G19 Gray 10046623G20 Custom 10046623G21 Black 10046623G23 Charcoal 10046623G24 Oyster 10046623G25 White | Includes Item 12 |
| 12 | 687137 | 1 | <ul style="list-style-type: none"> Seat Back, Plywood | |
| 13 | 689616 | 1 | Rear Facing Seat Support | Passenger Side |
| 14 | 689466 | 1 | Rear Facing Seat Support | Driver Side |

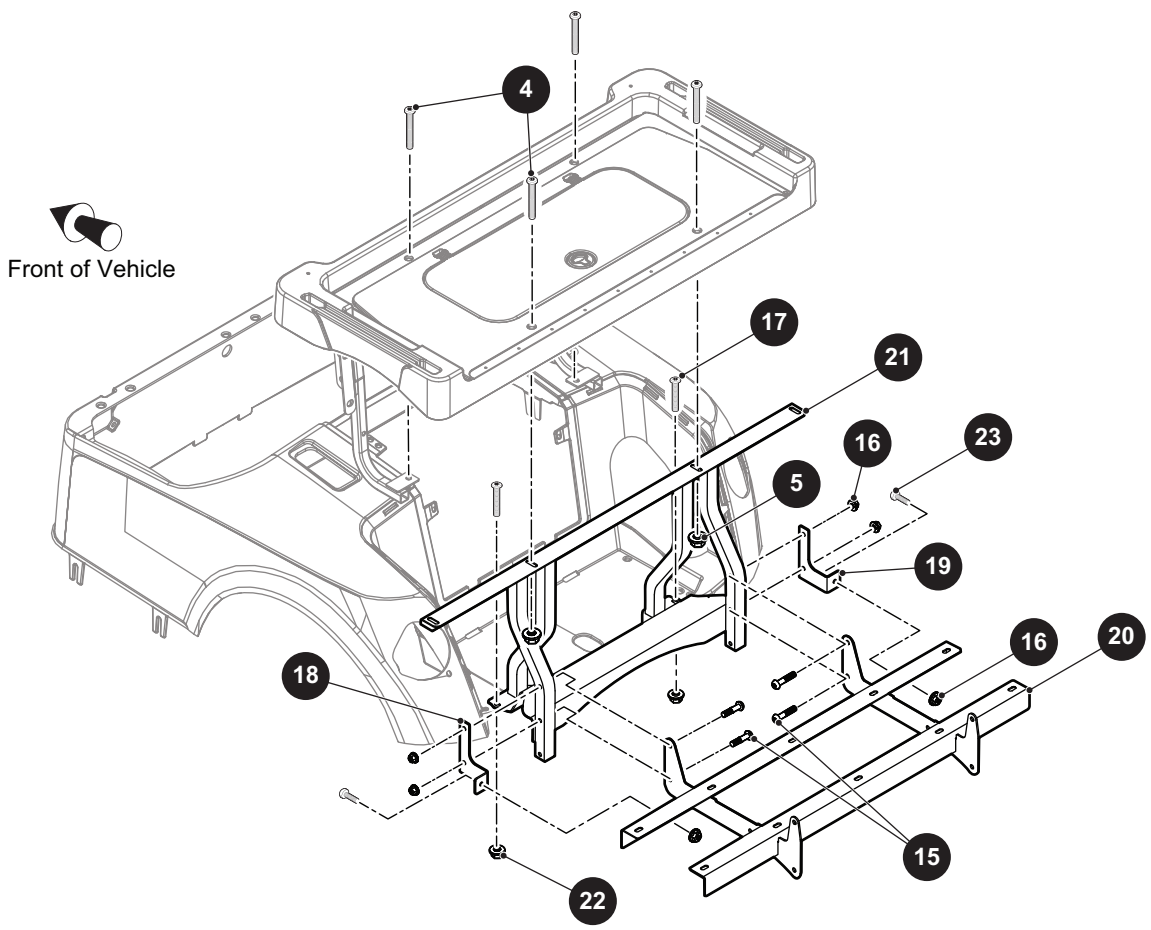
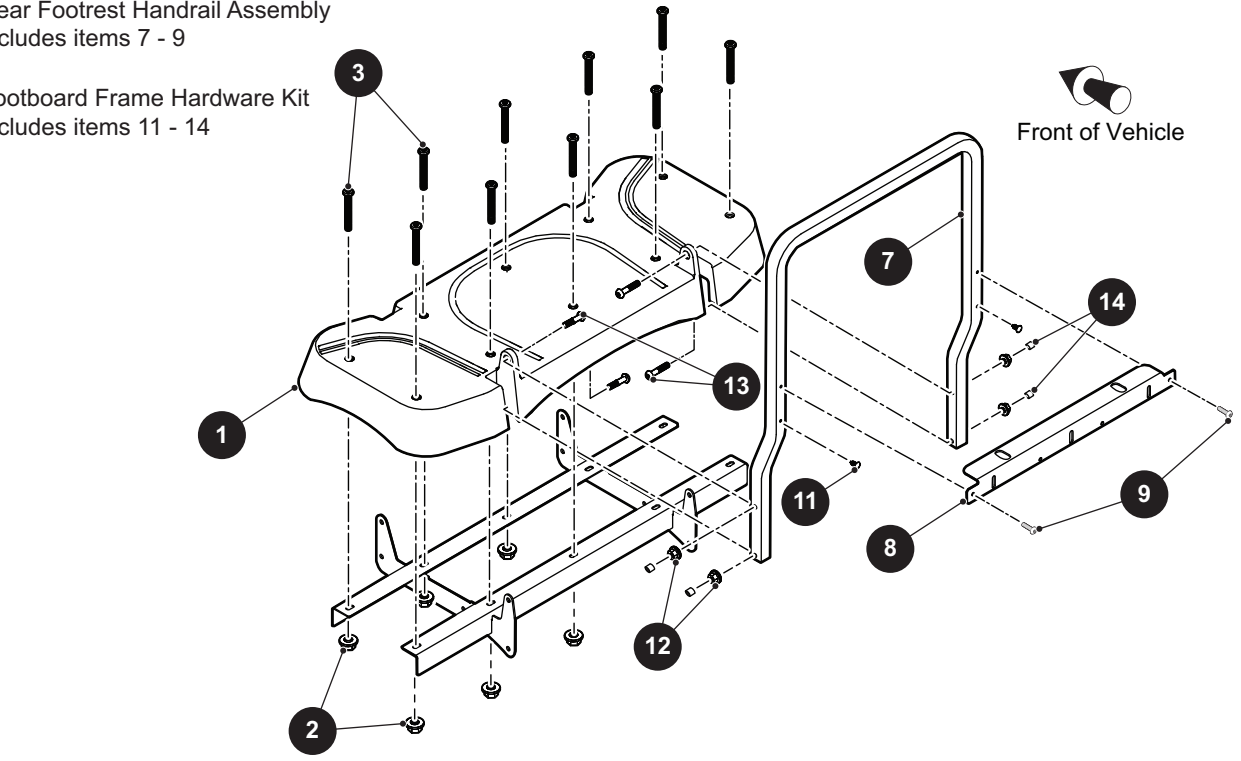
| ITEM | PART NO. | QTY. | DESCRIPTION | NOTES |
|------|----------|------|----------------------------------------------|-----------|
| 15 | 603800 | 4 | Flanged Hex Head Bolt, M10 -1.5 x 50mm Lg | Grade 8.8 |
| 16 | 600525 | 8 | Flanged Lock Nut, M10 - 1.5 | |
| 17 | 603799 | 4 | Flanged Hex Head Bolt, M10 - 1.5 x 25mm Lg | Grade 8.8 |
| 18 | 600530 | 4 | Button Head Torx Bolt, M10 - 1.5 x 25mm Lg | Grade 8.8 |
| 19 | 10032022 | 2 | Barrel Clip, M8 x 1.25 | |
| 20 | 19853G1 | 2 | Tube Cap | |
| 21 | 604473 | 1 | Seat Support | |
| 22 | 10008132 | 7 | Flanged Hex Head Bolt, 1/4" - 20 x 1 1/4" Lg | |



| ITEM | PART NO. | QTY. | DESCRIPTION | NOTES |
|------|-------------|------|-------------------------------------------|----------------|
| 1 | 10009995 | 1 | Board Deck Assembly | |
| 2 | 10007825G01 | 1 | Arm Rest | Driver Side |
| 3 | 10007825G02 | 1 | Arm Rest | Passenger Side |
| 4 | 10007630 | 1 | Flat Square Nut M8 - 1.25 | |
| 5 | 10008553 | 4 | Button Head Torx Bolt, M8 - 1.5 x 50mm Lg | |
| 6 | 606272 | 4 | Lock Washer, 8mm | |
| 7 | 10005533 | 1 | Bucket | |

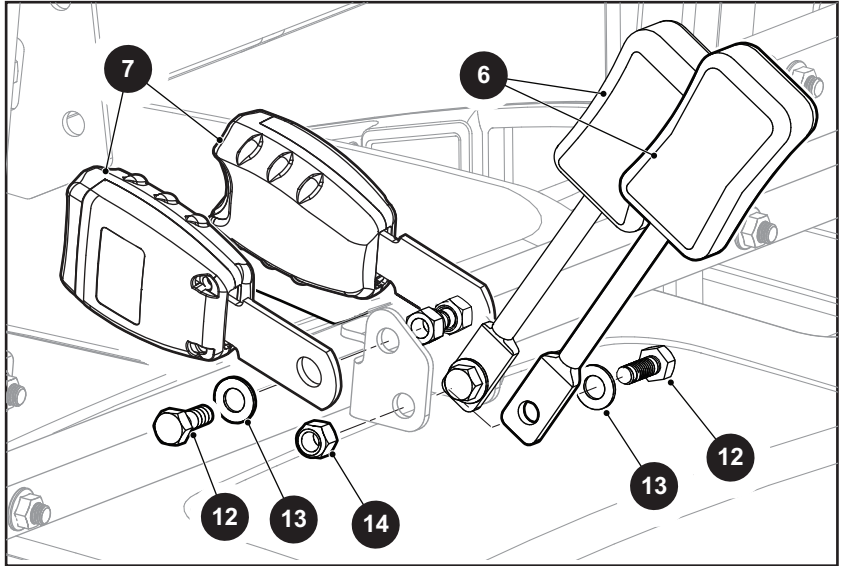
6 Rear Footrest Handrail Assembly includes items 7 - 9

10 Footboard Frame Hardware Kit includes items 11 - 14

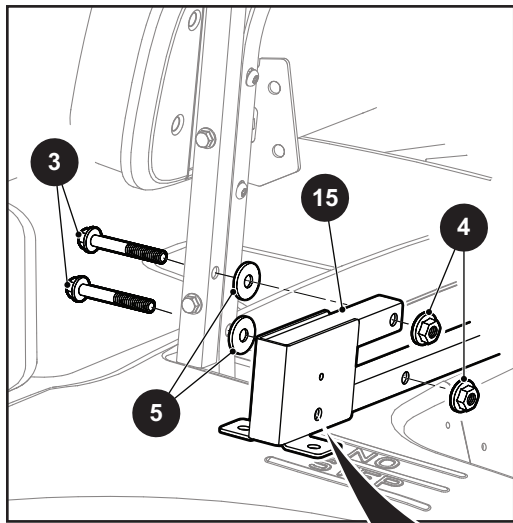


| ITEM | PART NO. | QTY. | DESCRIPTION | NOTES |
|------|---------------|------|----------------------------------------------|------------------------|
| 1 | 10006567 | 1 | Footrest | |
| 2 | 645956 | 10 | Flanged Hex Nut, M8 - 1.25 | |
| 3 | 10007031 | 10 | Button Head Torx Bolt, M8 - 1.25 x 35mm Lg | |
| 4 | 10007031 | 4 | Button Head Torx Bolt, M8 - 1.25 x 35mm Lg | |
| 5 | 645956 | 2 | Flanged Hex Nut, M8 - 1.25 | |
| 6 | 10022889 | 1 | Rear Footrest Handrail Assembly | Includes Items 7 - 9 |
| 7 | 10007862 | 1 | • Footrest Handrail | |
| 8 | 10007865 | 1 | • Handrail Crossmember | |
| 9 | 10023112 | 2 | • Thread Forming Button Head Torx Screw | M6 - 1 x 20mm Lg |
| 10 | 10020081 | 1 | Footboard Frame Hardware Kit | Includes Items 11 - 14 |
| 11 | 16816G5 | 2 | • Ratchet Rivet, .187" x .550" | |
| 12 | 645956 | 4 | • Flanged Hex Nut, M8 - 1.25 | |
| 13 | 10008552 | 4 | • Button Head Torx Bolt, M8 - 1.25 x 60mm Lg | |
| 14 | 10031844 | 4 | • Thread Cover Cap | |
| 15 | 10008552 | 4 | Button Head Torx Bolt, M8 - 1.25 x 60mm Lg | |
| 16 | 645956 | 6 | Flanged Hex Nut, M8 - 1.25 | |
| 17 | 10029267 | 2 | Flanged Round Head Screw, 1/4" - 20 x 2" Lg | |
| 18 | 10006228G0104 | 1 | Pin Plate | Driver Side |
| 19 | 10006228G0204 | 1 | Pin Plate | Passenger Side |
| 20 | 10006263 | 1 | Footrest Frame | |
| 21 | 10043291 | 1 | Seat Mounting Frame | |
| 22 | 10007945 | 2 | Flanged Hex Nut, 1/4" - 20 | |
| 23 | 10007031 | 2 | Button Head Torx Bolt, M8 - 1.25 x 35mm Lg | |

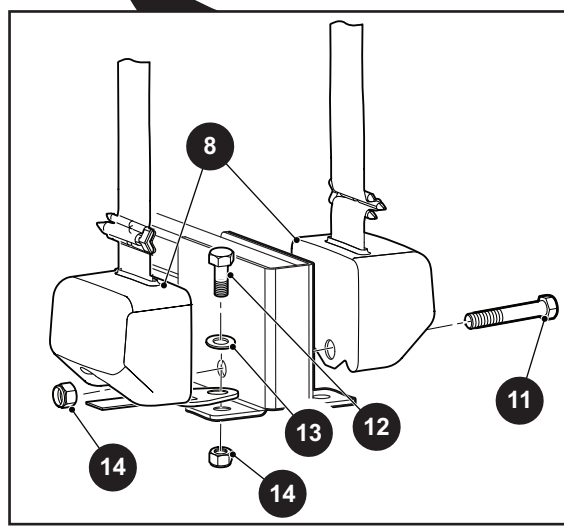
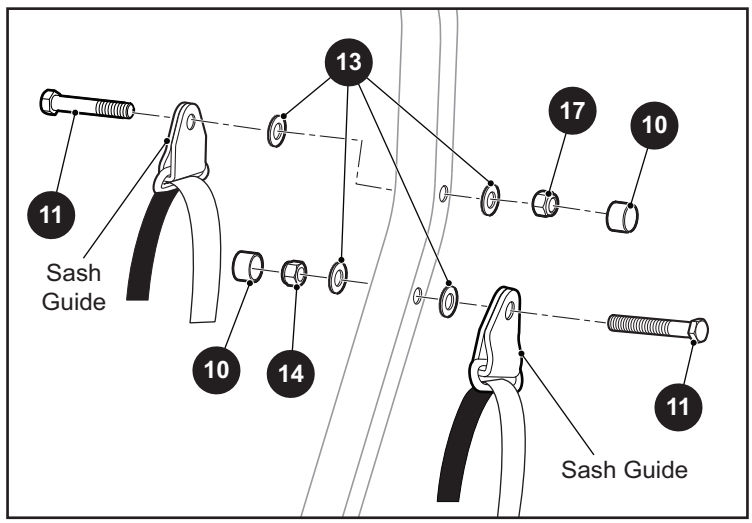
1 Seatbelt Kit includes items 2 - 15



2 Seatbelt Structure Hardware Kit includes items 3 - 5

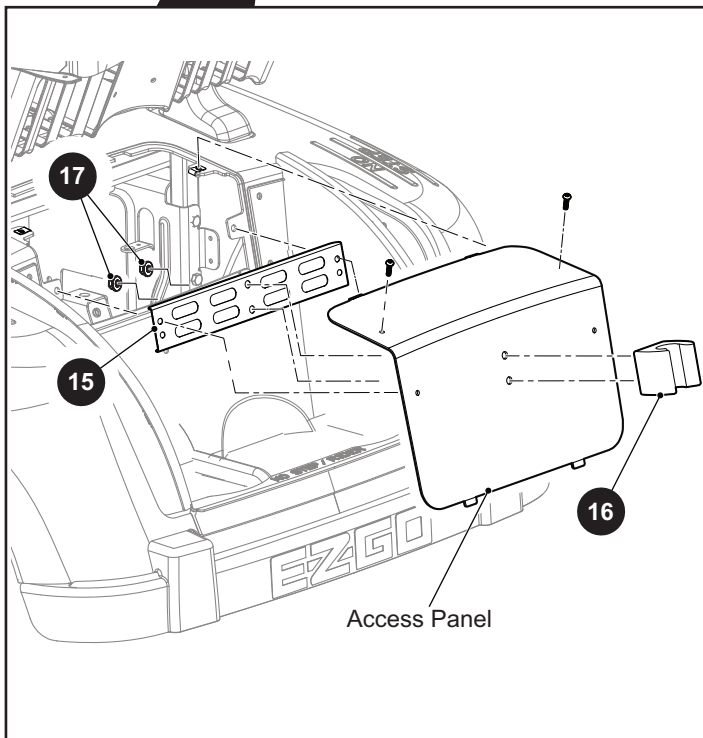
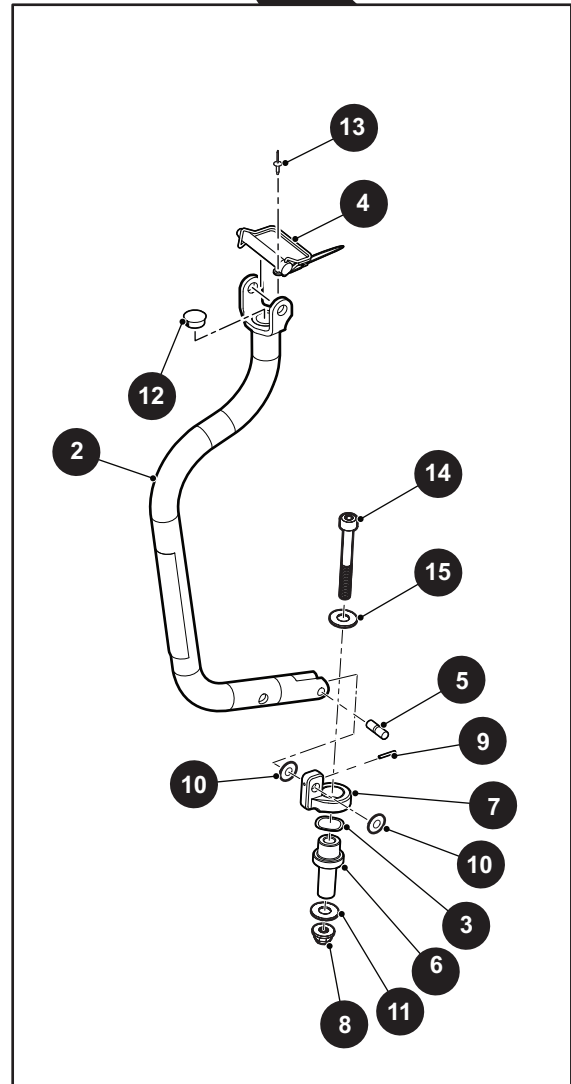
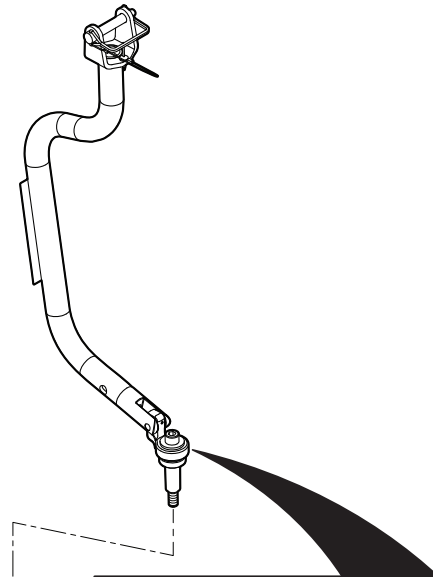
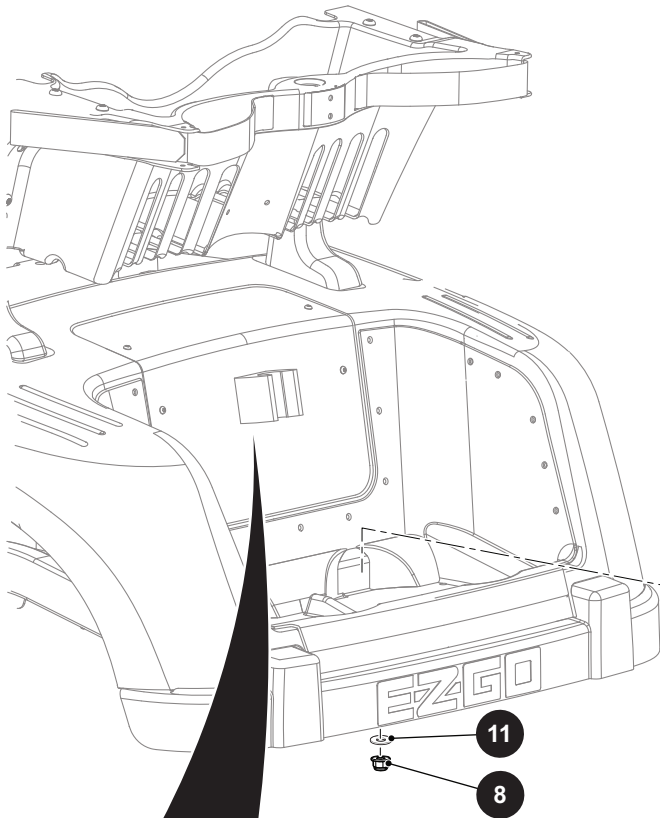


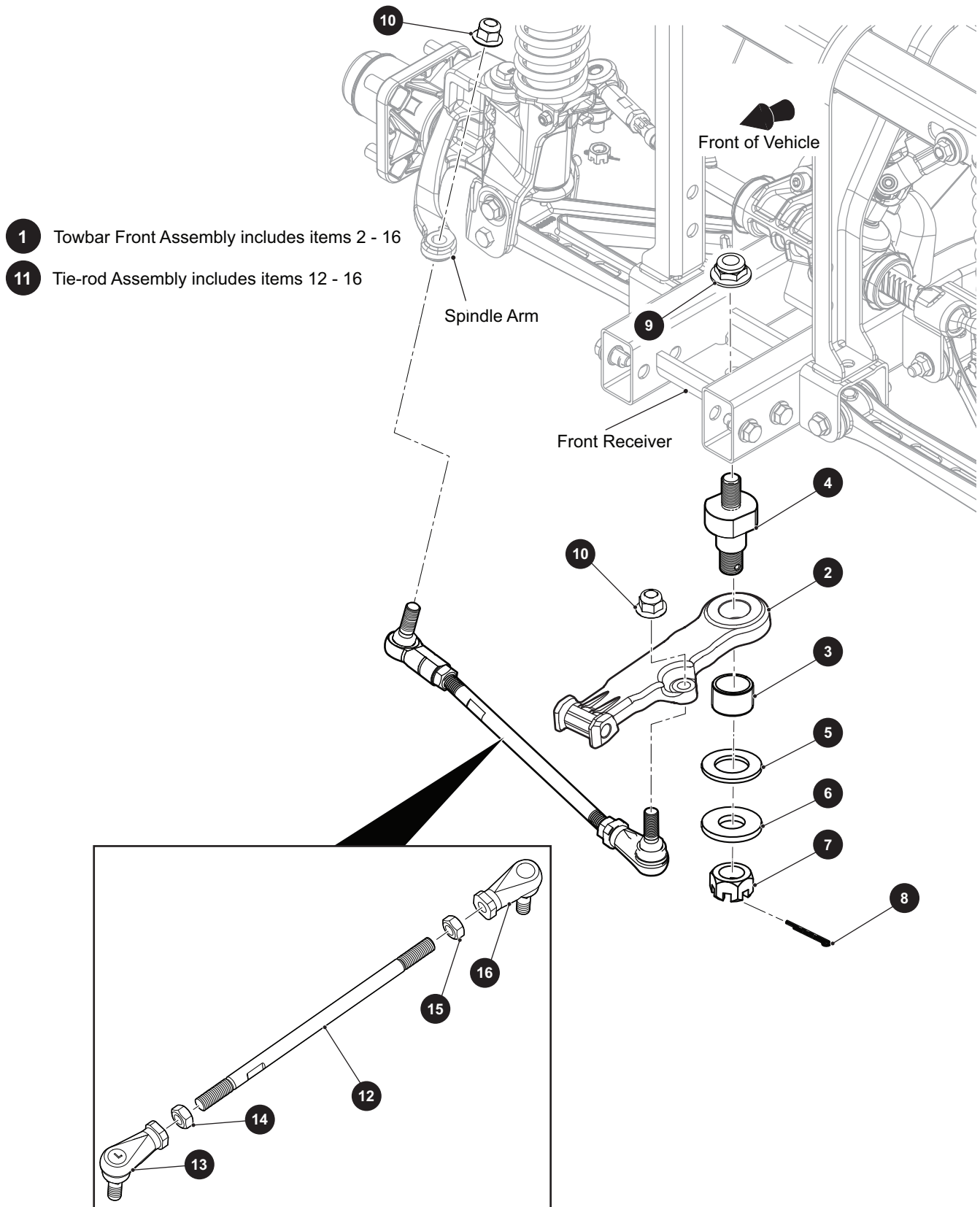
9 Seatbelt Installation Hardware Kit includes items 10 - 14



| ITEM | PART NO. | QTY. | DESCRIPTION | NOTES |
|------|----------|------|----------------------------------------------|------------------------|
| 1 | 620704 | 1 | Seatbelt Kit | Includes Items 2- 15 |
| 2 | 612126 | 1 | • Seatbelt Hardware Kit | Includes Items 3 - 5 |
| 3 | 602415 | 4 | • • Flanged Hex Head Bolt, M10 - 1.5x80mm Lg | Grade 12.9 |
| 4 | 600525 | 4 | • • Flanged Lock Nut, M10 - 1.5 | |
| 5 | 604066 | 4 | • • Flat Washer, M10 | |
| 6 | 609031 | 2 | • Seat Belt Buckle, 9" Lg | |
| 7 | 661524 | 2 | • Seat Belt Buckle, 6" Lg | |
| 8 | 649131 | 4 | • Seat Belt Retractor Assembly | |
| 9 | 612127 | 1 | • Seatbelt Installation Hardware Kit | Includes Items 10 - 14 |
| 10 | 605686 | 4 | • • Vinyl Cap | |
| 11 | 612346 | 2 | • • Hex Head Bolt, 7/16" - 20 x 2 1/2" Lg | Grade 5 |
| 12 | 610753 | 8 | • • Hex Head Bolt, 7/16" - 20 x 1" Lg | Grade 5 |
| 13 | 00560G2 | 16 | • • Flat Washer, 7/16" | |
| 14 | 00734G3 | 14 | • • Lock Nut, 7/16" - 20 | |
| 15 | 610739 | 1 | • Seatbelt Weldment | |

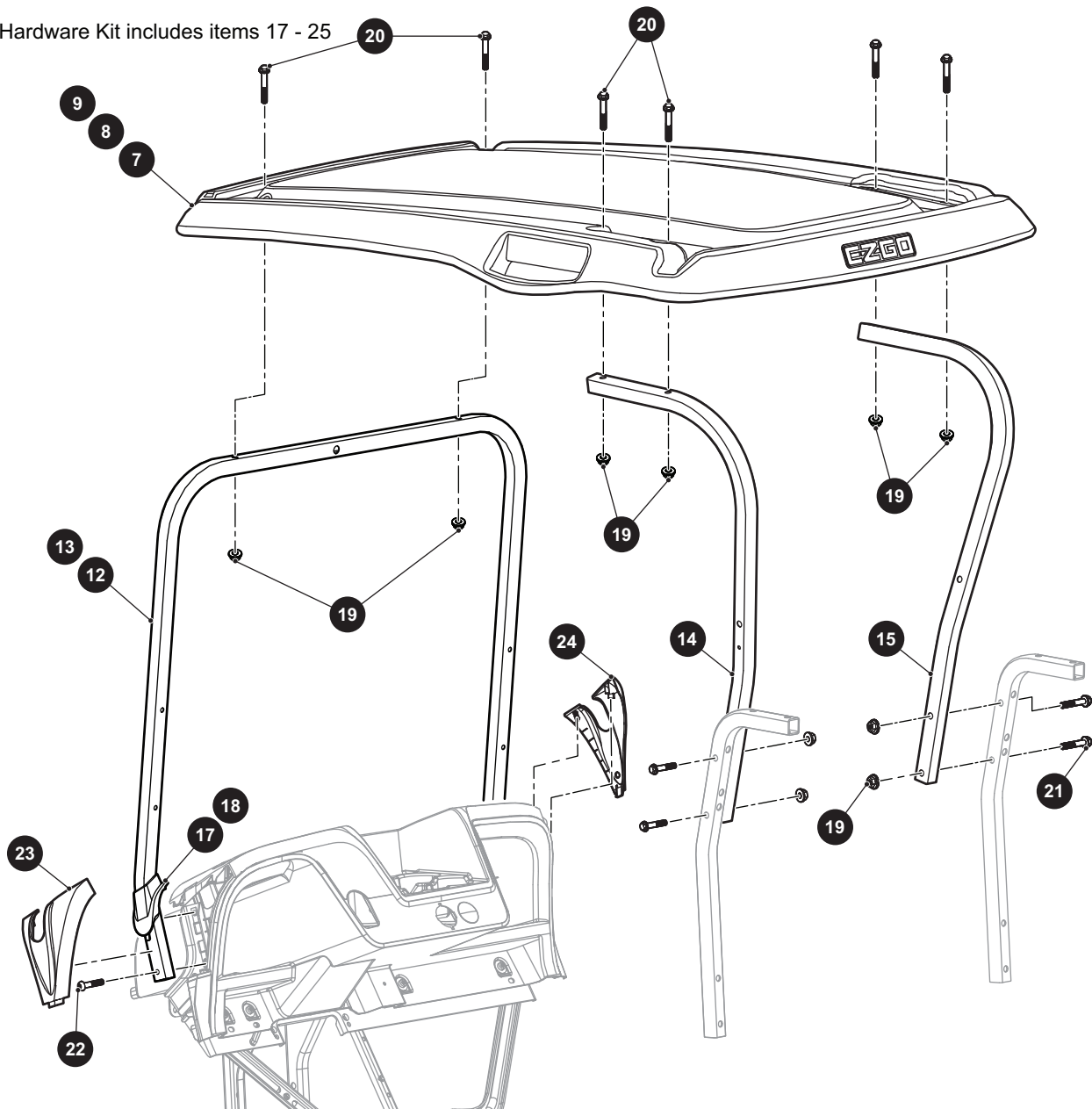
1 Tow Bar Assembly includes items 2 - 14





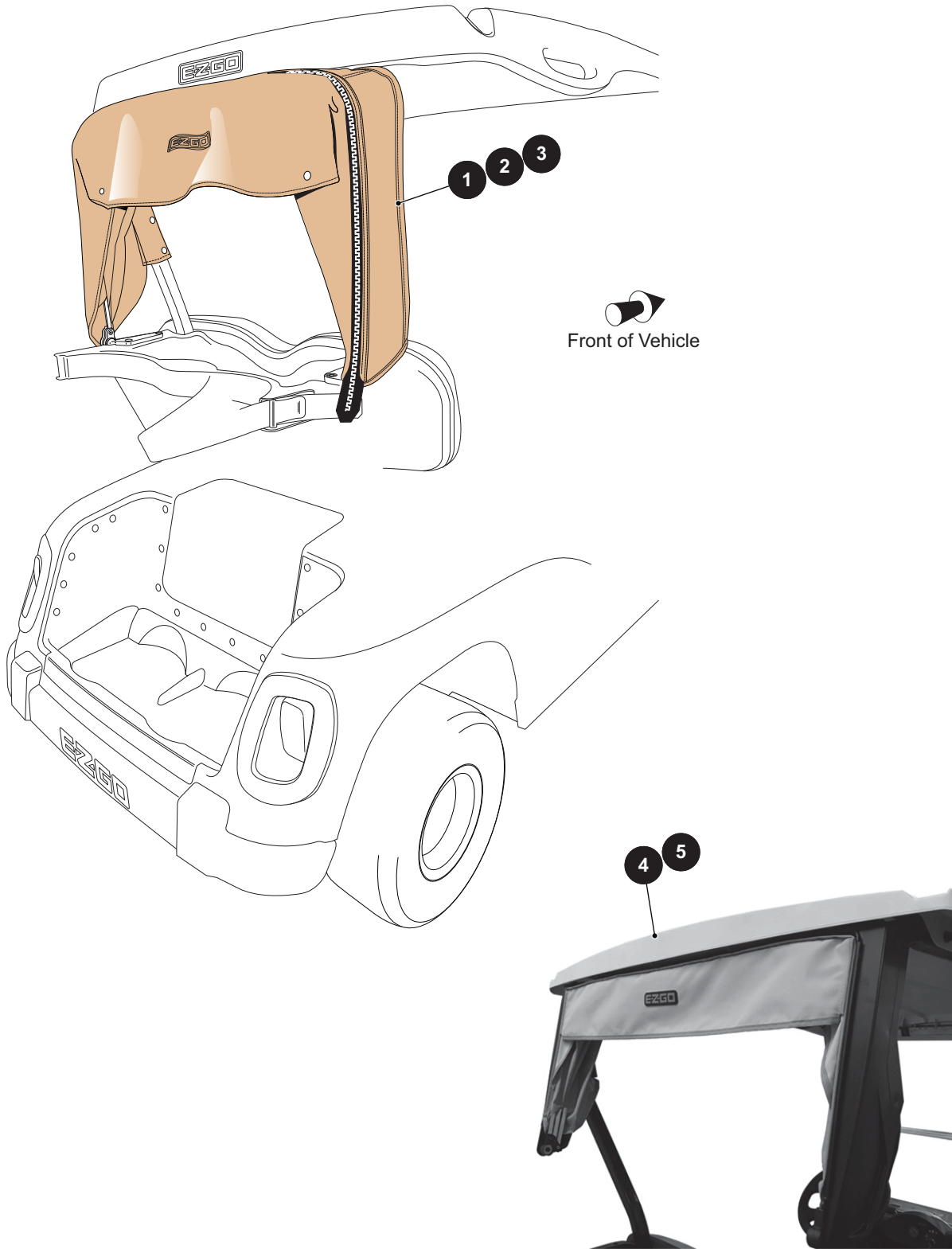
| ITEM | PART NO. | QTY. | DESCRIPTION | NOTES |
|------|----------|------|---------------------------------------------|------------------------|
| 1 | 10005045 | 1 | Towbar Front Assembly | Includes Items 2 - 16 |
| 2 | 10005044 | 1 | • Front Pivot Bar | |
| 3 | 75307G01 | 1 | • Bearing | |
| 4 | 635464 | 1 | • Pivot Bolt | |
| 5 | 75309G01 | 1 | • Pivot Thrust Bearing 1.75" O.D. x 1" I.D. | |
| 6 | 75342G01 | 1 | • Thrust Bearing 1.75" O.D. x 1" I.D. | |
| 7 | 00518G8 | 1 | • Castle Nut, 3/4" - 16 | |
| 8 | 10387G1 | 1 | • Cotter Pin, .125" x 1.50" | |
| 9 | 601709 | 1 | • Lock Nut, M16 - 2 | |
| 10 | 617787 | 2 | • Flanged Lock Nut, M12 - 1.75 | |
| 11 | 10008952 | 1 | • Tie-rod Assembly | Includes Items 12 - 16 |
| 12 | 10008951 | 1 | • • Tie-rod | |
| 13 | 643610 | 1 | • • Tie-rod End, LH | |
| 14 | 624962 | 1 | • • Hex Nut, M12 - 1.75 | |
| 15 | 615414 | 1 | • • Hex Nut, M12 - 1.75 | |
| 16 | 614436 | 1 | • • Tie-rod End | |

- 1 Sun Top Kit, Black includes items 7, 10
- 2 Sun Top Kit, Stone Beige includes items 8, 10
- 3 Sun Top Kit, Oyster includes items 9 - 10
- 4 Sun Top with Pace Kit, Black includes items 7, 11
- 5 Sun Top with Pace Kit, Stone Beige includes items 8, 11
- 6 Sun Top with Pace Kit, Oyster includes items 9, 11
- 10 Strut Kit includes items 12, 14 - 16
- 11 Strut Kit includes items 13 - 16
- 16 Hardware Kit includes items 17 - 25





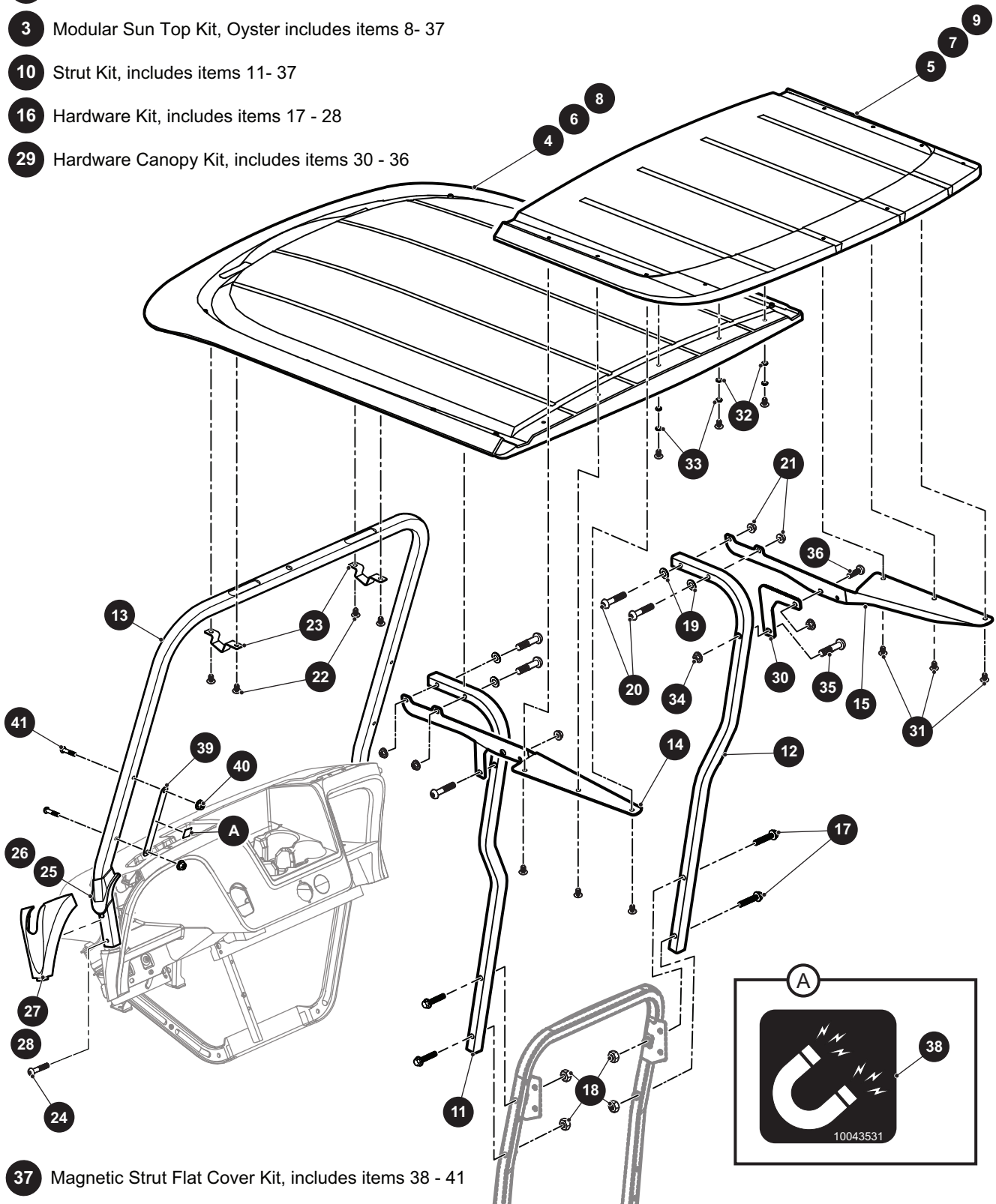
| ITEM | PART NO. | QTY. | DESCRIPTION | NOTES |
|------|---------------|------|------------------------------------|----------------------------|
| 1 | 10015285G01 | 1 | Sun Top Kit, Black | Includes Items 7, 10 |
| 2 | 10015285G02 | 1 | Sun Top Kit, Stone Beige | Includes Items 8, 10 |
| 3 | 10015285G03 | 1 | Sun Top Kit, Oyster | Includes Items 9, 10 |
| 4 | 10015285G04 | 1 | Sun Top with Pace Kit, Black | Includes Items 7, 11 |
| 5 | 10015285G05 | 1 | Sun Top with Pace Kit, Stone Beige | Includes Items 8, 11 |
| 6 | 10015285G06 | 1 | Sun Top with Pace Kit, Oyster | Includes Items 9, 11 |
| 7 | 613227 | 1 | • Sun Top | |
| 8 | 608198 | 1 | • Sun Top | |
| 9 | 608015 | 1 | • Sun Top | |
| 10 | 10015287 | 1 | • Strut Kit | Includes Items 12, 14 - 16 |
| 11 | 10022081 | 1 | • Strut Kit | Includes Items 13 - 16 |
| 12 | 10006097G0411 | 1 | • • Front Strut | |
| 13 | 10027928 | 1 | • • Front Strut | |
| 14 | 614309 | 1 | • • Rear Strut | Driver Side |
| 15 | 614310 | 1 | • • Rear Strut | Passenger Side |
| 16 | 10015288 | 1 | • • Hardware Kit | Includes Items 17 - 25 |
| 17 | 10021841G01 | 1 | • • • Strut Grommet | Driver Side |
| 18 | 10021841G02 | 1 | • • • Strut Grommet | Passenger Side |
| 19 | 600525 | 10 | • • • Flanged Lock Nut, M10 - 1.5 | |
| 20 | 603800 | 6 | • • • Flanged Hex Head Bolt | M10 - 1.5 x 50mm Lg |
| 21 | 602415 | 4 | • • • Flanged Hex Head Bolt | M10 - 1.5 x 80mm Lg |
| 22 | 10008553 | 4 | • • • Button Head Torx Bolt | M8 - 1.25 x 50mm Lg |
| 23 | 10048045G01 | 1 | • • • Strut Cover Assembly | Driver Side |
| 24 | 10048045G02 | 1 | • • • Strut Cover Assembly | Passenger Side |





| ITEM | PART NO. | QTY. | DESCRIPTION | NOTES |
|------|-------------|------|-----------------------|-------------|
| 1 | 614267 | 1 | Bag Cover Kit | Stone Beige |
| 2 | 614268 | 1 | Bag Cover Kit | Oyster |
| 3 | 619020 | 1 | Bag Cover Kit | Black |
| 4 | 10024756G01 | 1 | Premium Bag Cover Kit | Black |
| 5 | 10024756G02 | 1 | Premium Bag Cover Kit | Stone Beige |

- 1 Modular Sun Top Kit, Black includes items 4 - 5, 10 - 37
- 2 Modular Sun Top Kit, Stone Beige includes items 6 - 7, 10 - 37
- 3 Modular Sun Top Kit, Oyster includes items 8- 37
- 10 Strut Kit, includes items 11- 37
- 16 Hardware Kit, includes items 17 - 28
- 29 Hardware Canopy Kit, includes items 30 - 36



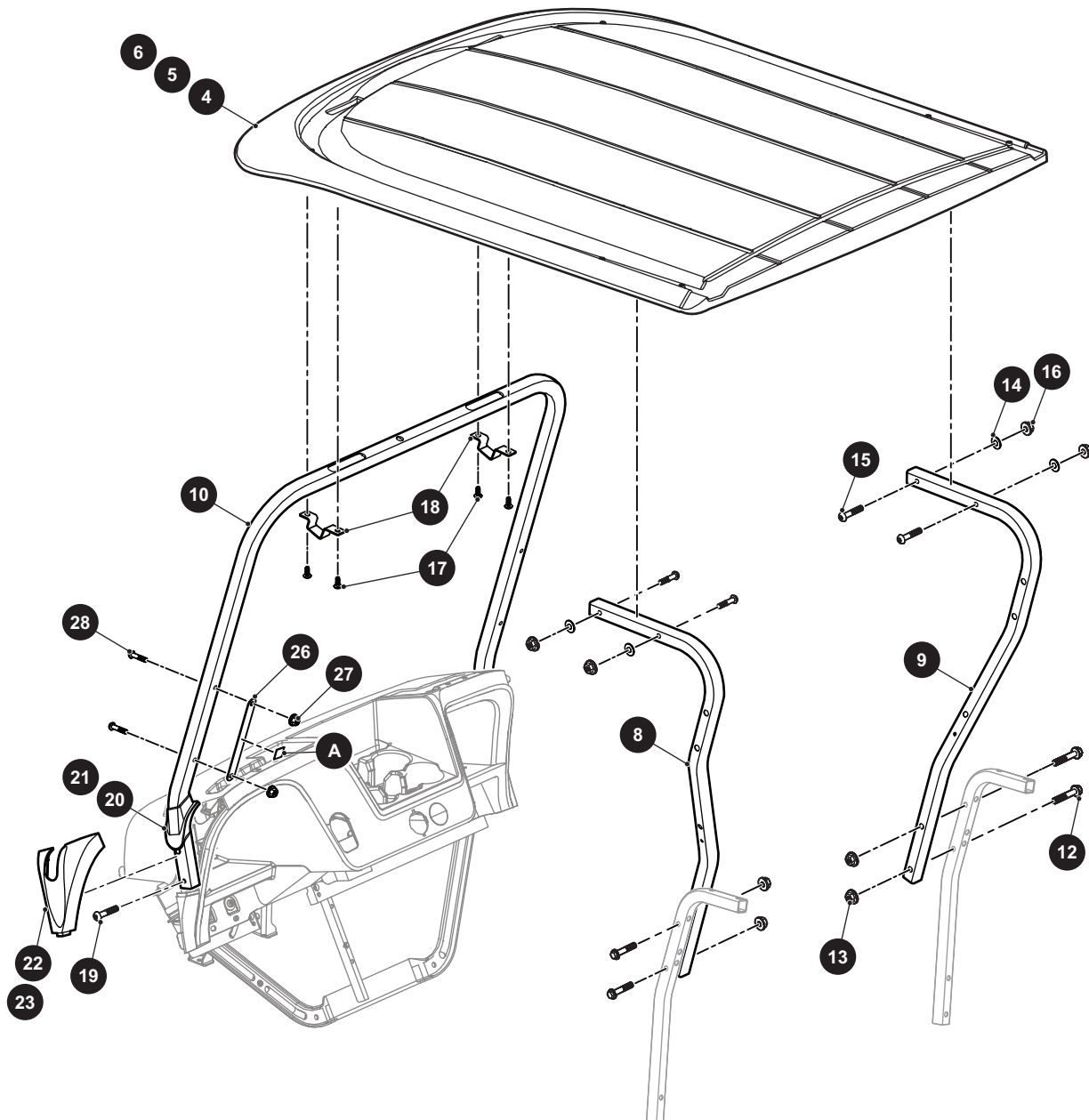
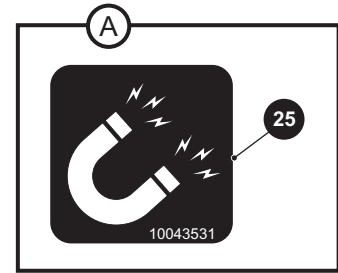
- 37 Magnetic Strut Flat Cover Kit, includes items 38 - 41

| ITEM | PART NO. | QTY. | DESCRIPTION | NOTES |
|------|---------------|------|--------------------------------------------|-------------------------------|
| 1 | 10015271G0101 | 1 | Modular Sun Top Kit, Black | Includes Items 4 - 5, 10 - 36 |
| 2 | 10015271G0102 | 1 | Modular Sun Top Kit, Stone Beige | Includes Items 6 - 7, 10 - 36 |
| 3 | 10015271G0104 | 1 | Modular Sun Top Kit, Tan | Includes Items 8 - 36 |
| 4 | 10094160G01 | 1 | • Short Canopy, Black | |
| 5 | 10094159G01 | 1 | • Long Canopy Extension, Black | |
| 6 | 10094160G02 | 1 | • Short Canopy, Stone Beige | |
| 7 | 10094159G02 | 1 | • Long Canopy Extension, Stone Beige | |
| 8 | 10094160G04 | 1 | • Short Canopy, Tan | |
| 9 | 10094159G04 | 1 | • Long Canopy Extension, Tan | |
| 10 | 10015273 | 1 | • Strut Kit | Includes Items 11 - 36 |
| 11 | 10009087G01 | 1 | • • Rear Strut | Driver Side |
| 12 | 10009087G02 | 1 | • • Rear Strut | Passenger Side |
| 13 | 10029350G0411 | 1 | • • Front Strut | |
| 14 | 10045541G01 | 1 | • • Canopy Bracket | Driver Side |
| 15 | 10045541G02 | 1 | • • Canopy Bracket | Passenger Side |
| 16 | 10033794 | 1 | • • Hardware Kit | Includes Items 17 - 28 |
| 17 | 602415 | 4 | • • • Flanged Hex Head Bolt | M10 - 1.5 x 80mm Lg |
| 18 | 600525 | 10 | • • • Flanged Lock Nut, M10 - 1.5 | |
| 19 | 616671 | 4 | • • • Flat Washer, M8 | |
| 20 | 10008552 | 4 | • • • Button Head Torx Bolt | M8 - 1.25 x 60mm Lg |
| 21 | 645956 | 4 | • • • Flanged Hex Nut, M8 - 1.25 | |
| 22 | 10033018 | 4 | • • • Plastite Screw, M6 - 2.14 x 20 mm Lg | |
| 23 | 10033573 | 2 | • • • Canopy Bracket, Front | |
| 24 | 10008553 | 4 | • • • Button Head Torx Bolt | M8 - 1.25 x 50mm Lg |
| 25 | 10021841G01 | 1 | • • • Strut Grommet | Driver Side |
| 26 | 10021841G02 | 1 | • • • Strut Grommet | Passenger Side |
| 27 | 10048045G01 | 1 | • • • Strut Cover Assembly | Driver Side |
| 28 | 10048045G02 | 1 | • • • Strut Cover Assembly | Passenger Side |
| 29 | 10010984 | 1 | • • Hardware Canopy Kit | Includes Items 30 - 36 |
| 30 | 10045772 | 2 | • • • Canopy Extension Bracket | |
| 31 | 10033018 | 11 | • • • Plastite Screw | M6 - 2.14 x 20mm Lg |
| 32 | 608747 | 5 | • • • Flat Washer, M6 x 1.5 | |
| 33 | 10000646 | 5 | • • • Rubber Flat Washer, M6 x 1.5 | |



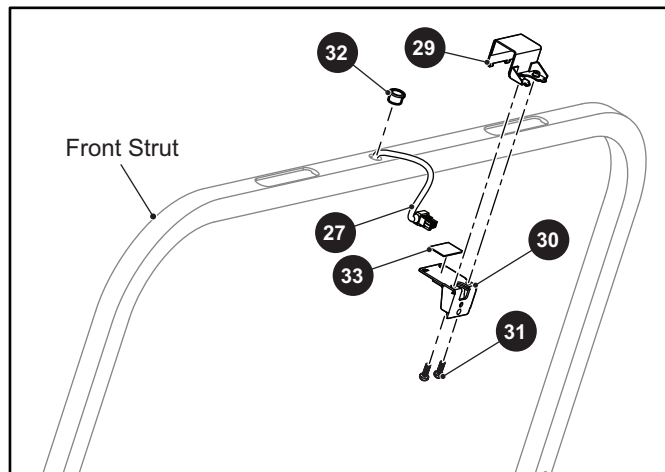
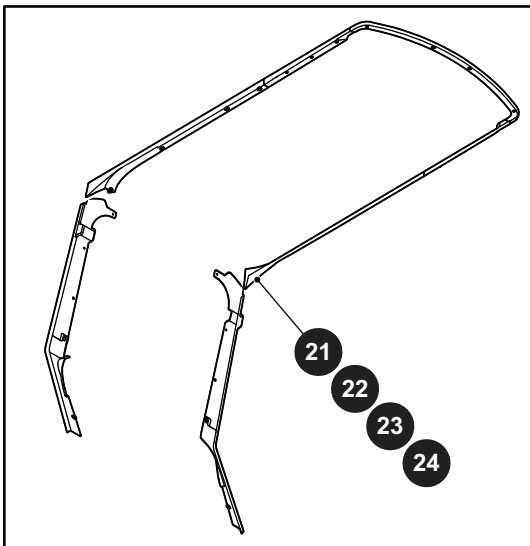
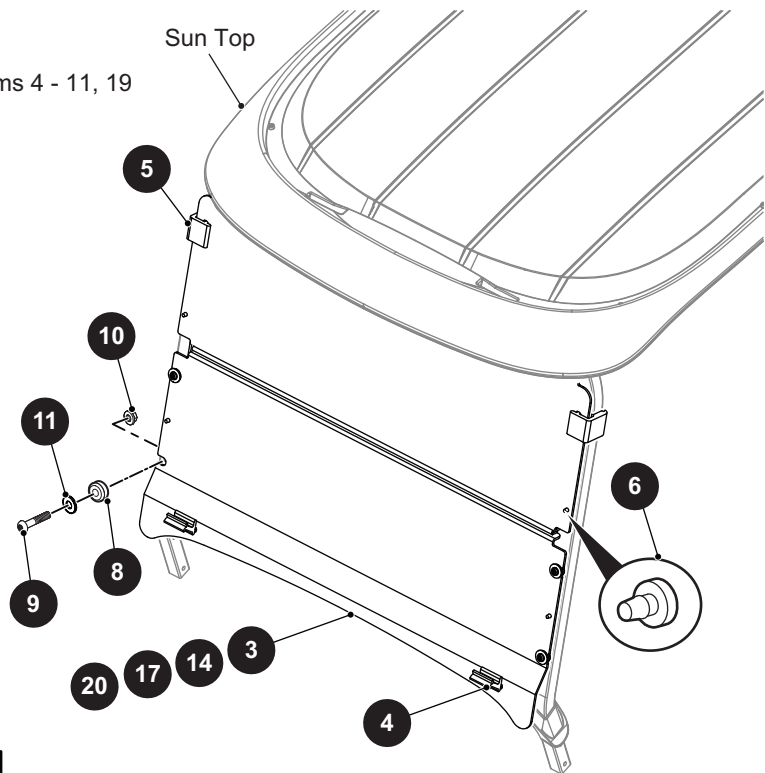
| ITEM | PART NO. | QTY. | DESCRIPTION | NOTES |
|------|----------|------|----------------------------------------------|------------------------|
| 34 | 645956 | 4 | • • • Flanged Hex Nut, M8 - 1.25 | |
| 35 | 10008553 | 2 | • • • Button Head Torx Bolt | M8 - 1.25 x 50mm Lg |
| 36 | 10016722 | 2 | • • • Button Head Torx Bolt | M8 - 1.25 x 25mm Lg |
| 37 | 10043440 | 1 | Magnetic Strut Flat Cover Kit | Includes Items 38 - 41 |
| 38 | 10043531 | 1 | • Magnet Decal | |
| 39 | 10042611 | 1 | • Magnetic Strut Flat Cover | |
| 40 | 645956 | 2 | • Flanged Hex Nut, M8 - 1.25 | |
| 41 | 10008552 | 2 | • Button Head Torx Bolt, M8 - 1.25 x 60mm Lg | |

- 1 Modular Sun Top Kit, Black includes items 4, 7 - 23
- 2 Modular Sun Top Kit, Stone Beige includes items 5, 7 - 23
- 3 Modular Sun Top Kit, Oyster includes items 6 - 23
- 7 Strut Kit, includes items 8 - 23
- 11 Hardware Kit, includes items 12 - 23
- 24 Magnetic Strut Flat Cover Kit, includes items 25 - 28



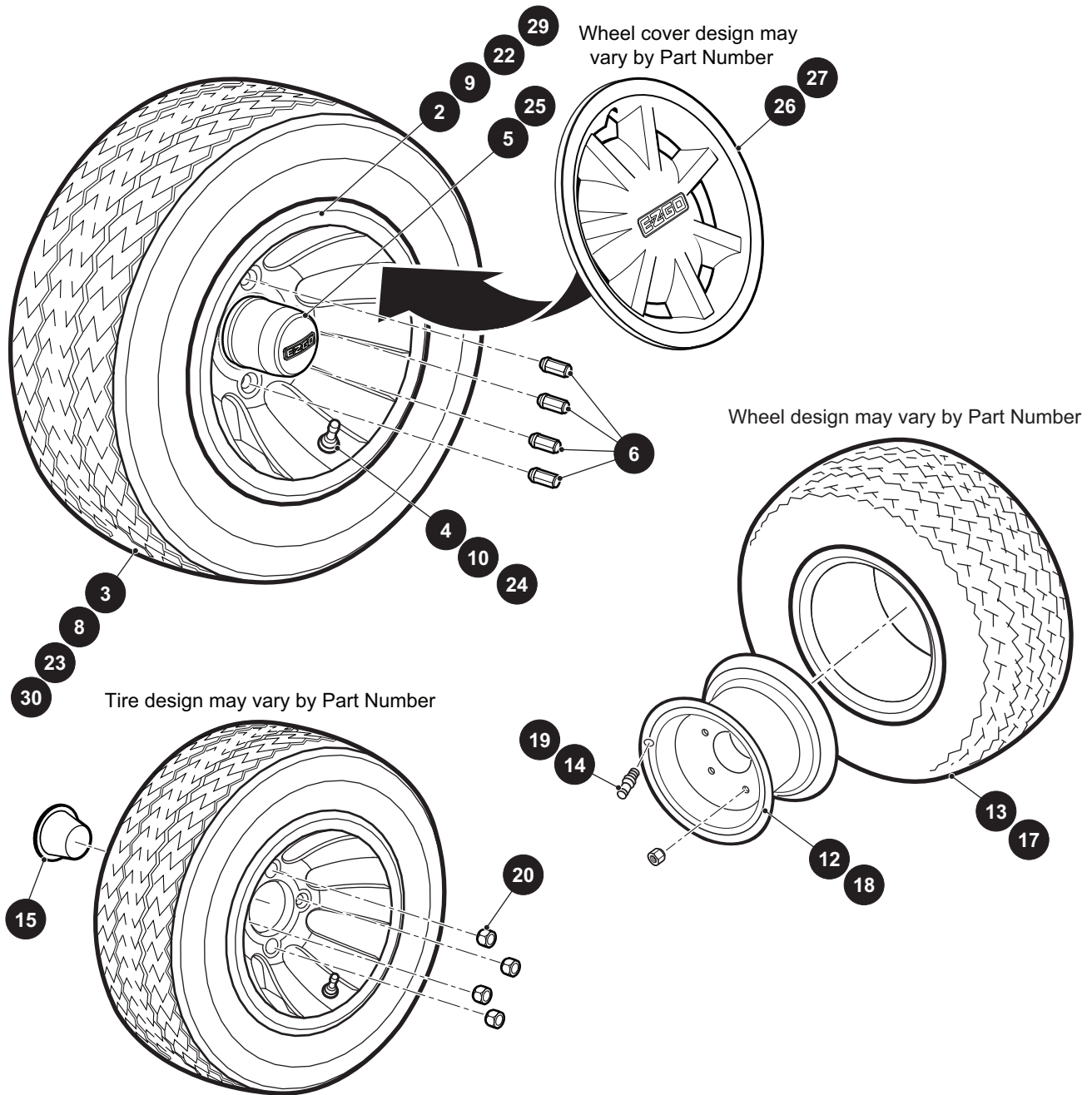
| ITEM | PART NO. | QTY. | DESCRIPTION | NOTES |
|------|---------------|------|----------------------------------------------|--------------------------|
| 1 | 10033791G0101 | 1 | Modular Sun Top Kit, Black | Includes Items 4, 7 - 23 |
| 2 | 10033791G0102 | 1 | Modular Sun Top Kit, Stone Beige | Includes Items 5, 7 - 23 |
| 3 | 10033791G0104 | 1 | Modular Sun Top Kit, Tan | Includes Items 6 - 23 |
| 4 | 10094160G01 | 1 | • Modular Sun Top, Black | |
| 5 | 10094160G02 | 1 | • Modular Sun Top, Stone Beige | |
| 6 | 10094160G04 | 1 | • Modular Sun Top, Tan | |
| 7 | 10033793 | 1 | • Strut Kit | Includes Items 8 - 23 |
| 8 | 10027152G01 | 1 | • • Rear Strut | Driver Side |
| 9 | 10027152G02 | 1 | • • Rear Strut | Passenger Side |
| 10 | 10029350G0411 | 1 | • • Front Strut | |
| 11 | 10033794 | 1 | • • Hardware Kit | Includes Items 12 - 23 |
| 12 | 602415 | 4 | • • • Flanged Hex Head Bolt | M10 - 1.5 x 80mm Lg |
| 13 | 600525 | 10 | • • • Flanged Lock Nut, M10 - 1.5 | |
| 14 | 616671 | 4 | • • • Flat Washer, M8 | |
| 15 | 10008552 | 4 | • • • Button Head Torx Bolt | M8 - 1.25 x 60mm Lg |
| 16 | 645956 | 4 | • • • Flanged Hex Nut, M8 - 1.25 | |
| 17 | 10033018 | 4 | • • • Plastite Screw, M6 - 2.14 x 20 mm Lg | |
| 18 | 10033573 | 2 | • • • Canopy Bracket, Front | |
| 19 | 10008553 | 4 | • • • Button Head Torx Bolt | M8 - 1.25 x 50mm Lg |
| 20 | 10021841G01 | 1 | • • • Strut Grommet | Driver Side |
| 21 | 10021841G02 | 1 | • • • Strut Grommet | Passenger Side |
| 22 | 10048045G01 | 1 | • • • Strut Cover Assembly | Driver Side |
| 23 | 10048045G02 | 1 | • • • Strut Cover Assembly | Passenger Side |
| 24 | 10043440 | 1 | Magnetic Strut Flat Cover Kit | Includes Items 25 - 28 |
| 25 | 10043531 | 1 | • Magnet Decal | |
| 26 | 10042611 | 1 | • Magnetic Strut Flat Cover | |
| 27 | 645956 | 2 | • Flanged Hex Nut, M8 - 1.25 | |
| 28 | 10008552 | 2 | • Button Head Torx Bolt, M8 - 1.25 x 60mm Lg | |

- 1 Modular Split Windshield Assembly, includes items 2 - 11
- 2 Split Windshield, includes items 3 - 6
- 8 Hardware Kit, includes items 9 - 11
- 12 Split Windshield Assembly, includes items 4 - 11, 13
- 13 Split Windshield, includes items 4- 6, 14
- 15 Tinted Modular Split Windshield Assembly, includes items 4 - 11, 16
- 16 Split Windshield, includes items 4- 6, 17
- 18 Tinted Split Windshield Assembly, includes items 4 - 11, 19
- 19 Split Windshield, includes items 4- 6, 20
- 25 Pace Line Kit, includes items 26 - 33
- 28 Bracket Kit, includes items 29 - 33

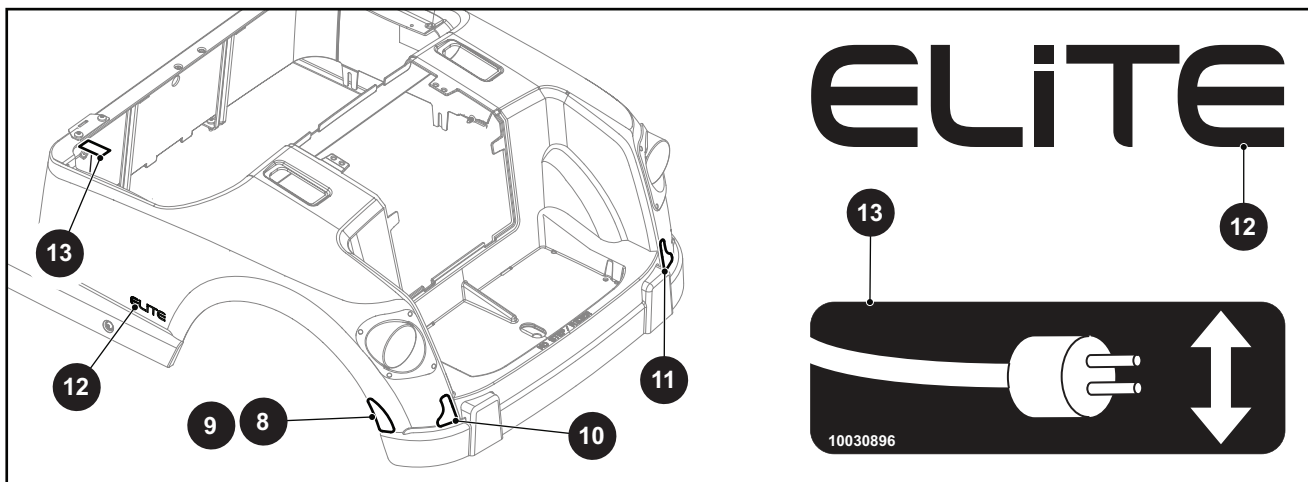
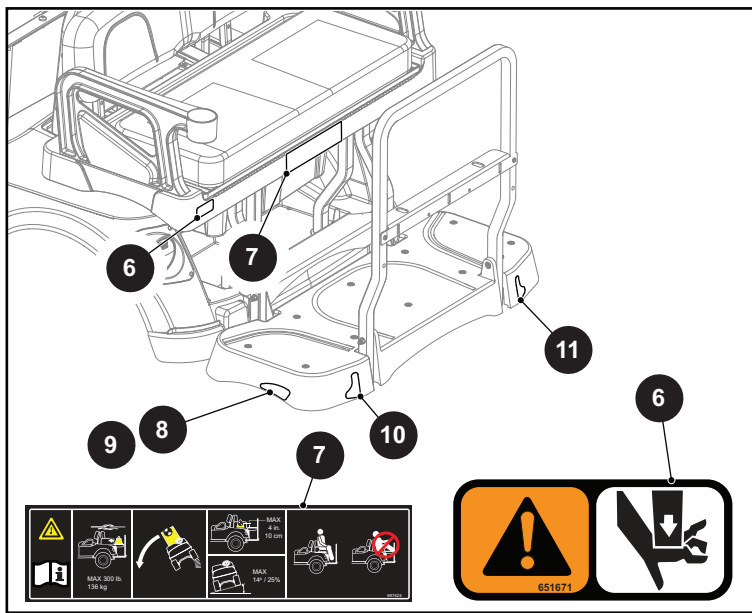
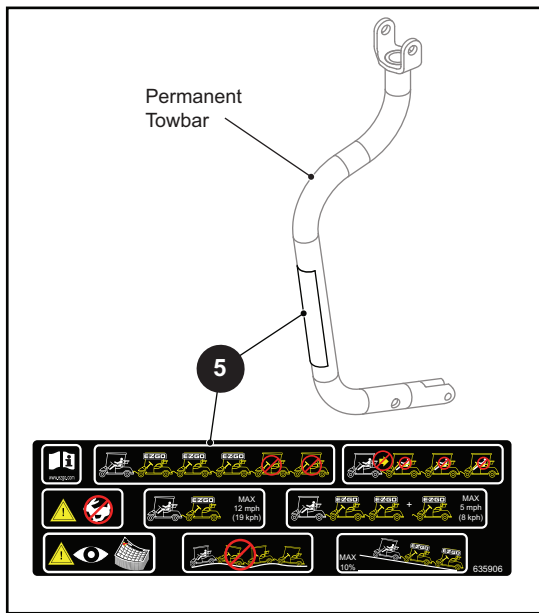
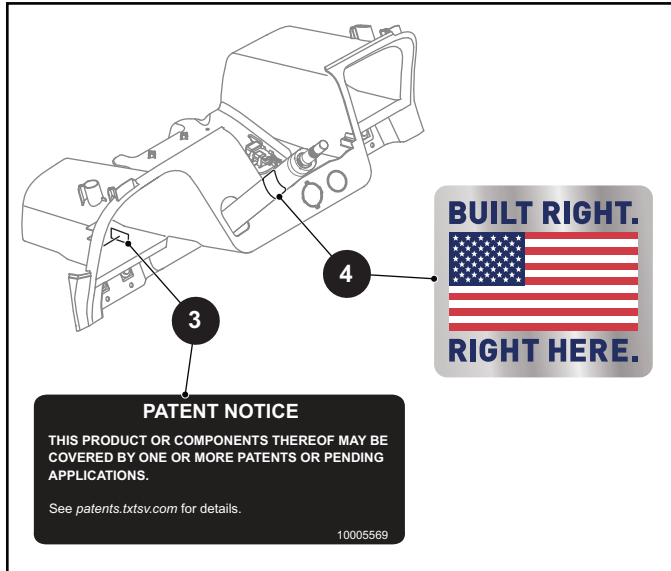
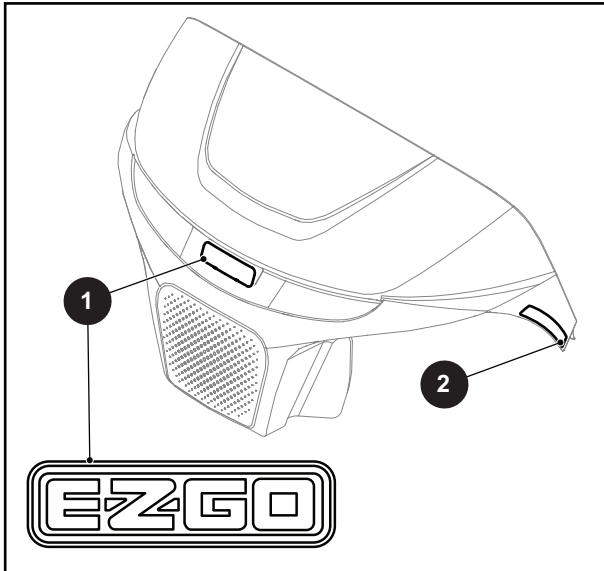


| ITEM | PART NO. | QTY. | DESCRIPTION | NOTES |
|------|---------------|------|------------------------------------------------|---------------------------|
| 1 | 10020144 | 1 | Modular Split Windshield Assembly | Includes Items 2 - 11 |
| 2 | 10019699G01 | 1 | • Split Windshield | Includes Items 3 - 6 |
| 3 | 10019698G01 | 1 | • • Windshield | |
| 4 | 603201 | 2 | • • Lower Latch | |
| 5 | 603198 | 2 | • • Upper Latch | |
| 6 | 604115 | 4 | • • Grommet | |
| 7 | 10011015 | 1 | • Hardware Kit | Includes Items 9 - 11 |
| 8 | 604116 | 4 | • • Grommet | |
| 9 | 10008552 | 4 | • • Button Head Torx Bolt, M8 - 1.25 x 60mm Lg | |
| 10 | 645956 | 4 | • • Flanged Lock Nut, M8 - 1.25 | |
| 11 | 604066 | 4 | • • Flat Washer, M10 - 10.5 x 30 | |
| 12 | 10020145 | 1 | Split Windshield Assembly | Includes Items 4 - 11, 13 |
| 13 | 10019690G01 | 1 | • Split Windshield | Includes Items 4 - 6, 14 |
| 14 | 10019689G01 | 1 | • • Windshield | |
| 15 | 10020146 | 1 | Tinted Modular Split Windshield Assembly | Includes Items 4 - 11, 16 |
| 16 | 10019699G02 | 1 | • Split Windshield | Includes Items 4 - 6, 17 |
| 17 | 10019689G02 | 1 | • • Windshield | |
| 18 | 10020147 | 1 | Tinted Split Windshield Assembly | Includes Items 4 - 11, 19 |
| 19 | 10019690G02 | 1 | • Split Windshield | Includes Items 4 - 6, 20 |
| 20 | 10019689G02 | 1 | • • Windshield | |
| 21 | 10026460G0101 | 1 | Canopy Enclosure | For Freedom 2+2 |
| 22 | 10026460G0102 | 1 | Canopy Enclosure | For Freedom 2+2 |
| 23 | 10026460G0001 | 1 | Canopy Enclosure | For Fleet & Freedom |
| 24 | 10026460G0002 | 1 | Canopy Enclosure | For Fleet & Freedom |
| 25 | 10018820G02 | 1 | Pace Line Kit | Includes Items 26 - 33 |
| 26 | 17618G1 | 4 | • Nylon Clamp | Not Illustrated |
| 27 | 10017972 | 1 | • Pace Harness | |
| 28 | 10021926 | 1 | • Bracket Kit | Includes Items 29 - 33 |
| 29 | 10021932 | 1 | • • Upper Bracket | |
| 30 | 10021933 | 1 | • • Lower Bracket | |
| 31 | 10021936 | 2 | • • Pan Head Screw, Black #10 - 32 x 1/2" Lg | Stainless Steel |
| 32 | 10022007 | 1 | • • Locking Grommet | |
| 33 | 10022011 | 1 | • • Adhesive Tape | |

- 1 Wheel and Tire Assembly, Machine Alloy includes items 2 - 5
- 7 Wheel and Tire Assembly, Kenda includes items 8 - 10
- 11 Wheel and Tire Assembly, Hole-N-One includes items 12 - 14
- 16 Wheel and Tire Assembly, Kenda includes items 17 - 19
- 21 Wheel and Tire Assembly, Paramount Radial includes items 22 - 25
- 28 Wheel and Tire Assembly, Paramount includes items 29 - 30



| ITEM | PART NO. | QTY. | DESCRIPTION | NOTES |
|------|----------|------|----------------------------------------------|------------------------|
| 1 | 647042 | 4 | Wheel and Tire Assembly, Machine Alloy | Includes Items 2 - 5 |
| 2 | * | 1 | • Wheel, 10 | |
| 3 | 647044 | 1 | • Tire, 205/50 - 10 | Kenda |
| 4 | 604915 | 1 | • Valve Stem | Chrome |
| 5 | 652122 | 1 | • Wheel Cap | Chrome |
| 6 | 605310 | 16 | Lug Nut | Chrome |
| 7 | 652394 | 4 | Wheel and Tire Assembly, Kenda | Includes Items 8 - 10 |
| 8 | 614438 | 1 | • Tire | |
| 9 | * | 1 | • Wheel, 8 x 7 | |
| 10 | 643948 | 1 | • Valve Stem | |
| 11 | 612772 | 4 | Wheel and Tire Assembly, Hole-N-One | Includes Items 12 - 14 |
| 12 | * | 1 | • Wheel, 8 | |
| 13 | 612771 | 1 | • Tire, 8 | |
| 14 | 11657G2 | 1 | • Valve Stem | |
| 15 | 74175G01 | 2 | Dust Cap | |
| 16 | 652255 | 2 | Wheel and Tire Assembly, Kenda | Includes Items 17 - 19 |
| 17 | 652989 | 1 | • Tire, 18 x 85 - 8 | |
| 18 | * | 1 | • Wheel, 8 x 7 | |
| 19 | 643948 | 1 | • Valve Stem | |
| 20 | 14723G1 | 16 | Lug Nut, 1/2" - 20 | |
| 21 | 10013368 | 4 | Wheel and Tire Assembly, Paramount Radial | Includes Items 22 - 25 |
| 22 | 690528 | 1 | • Wheel, Rouge with Mach Face, Black, 12 x 7 | |
| 23 | 699870 | 1 | • Tire, 205/40 R12 | |
| 24 | 604915 | 1 | • Valve Stem | Chrome |
| 25 | 685275 | 1 | • Wheel Cap, Black | Stainless Steel |
| 26 | 665149 | 1 | Wheel Cover | Metallic Gold |
| 27 | 665144 | 1 | Wheel Cover | Metallic Silver |
| 28 | 10047962 | 1 | Wheel and Tire Assembly, Paramount | Includes Items 29 - 30 |
| 29 | 10047952 | 1 | • Wheel, Villain 14 x 7 | |
| 30 | 699396 | 1 | • Tire, 205/35 R14 | |

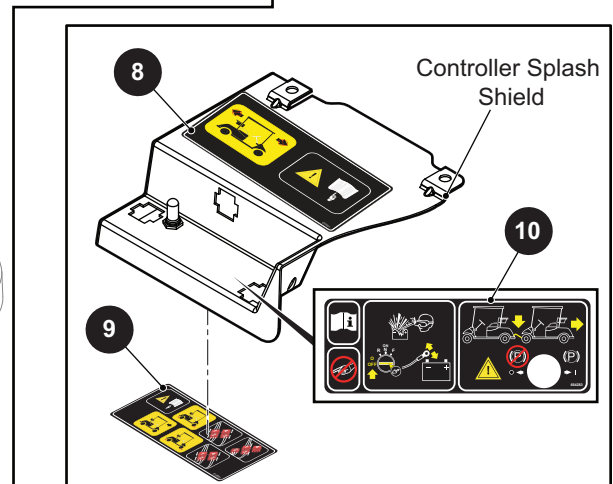
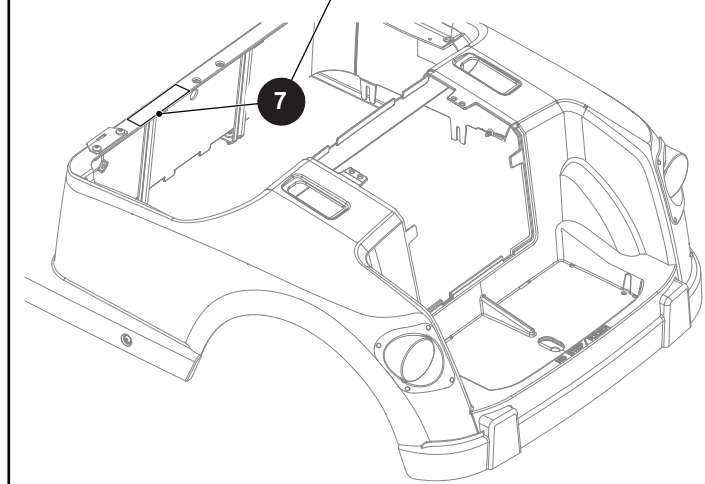
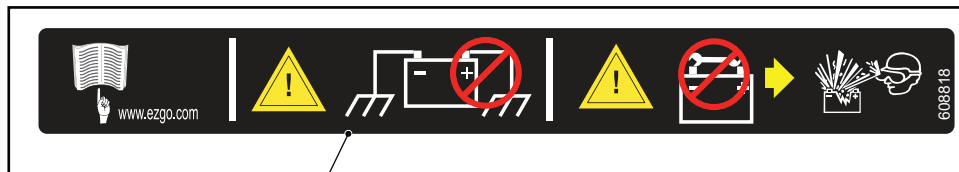
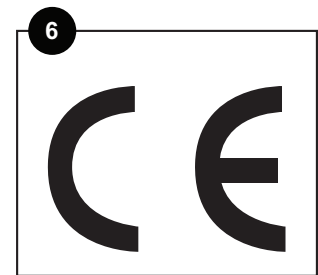
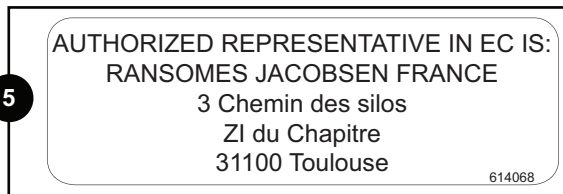
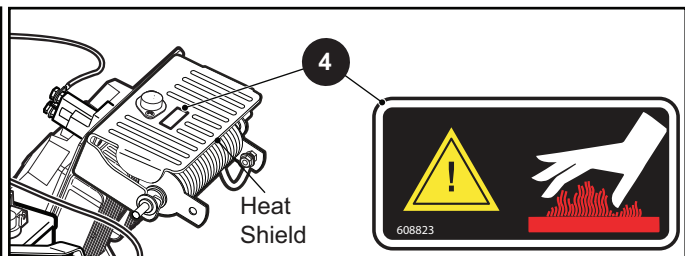
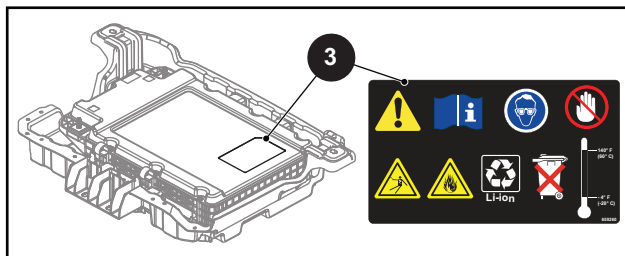
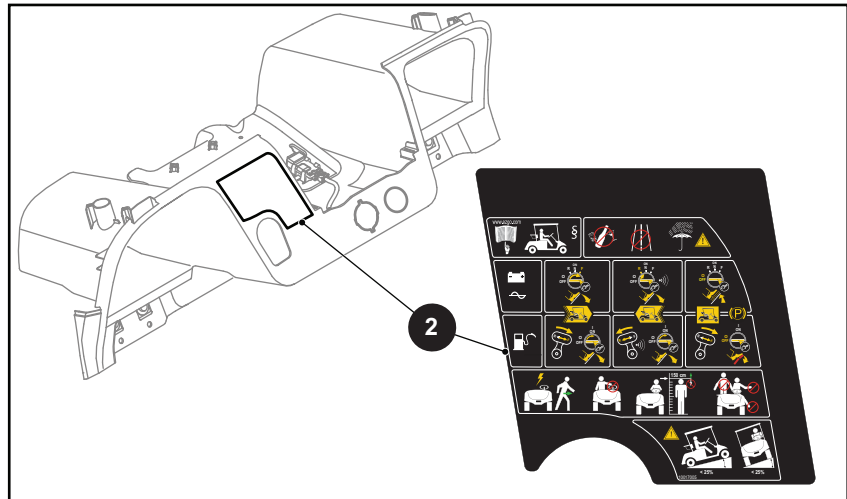
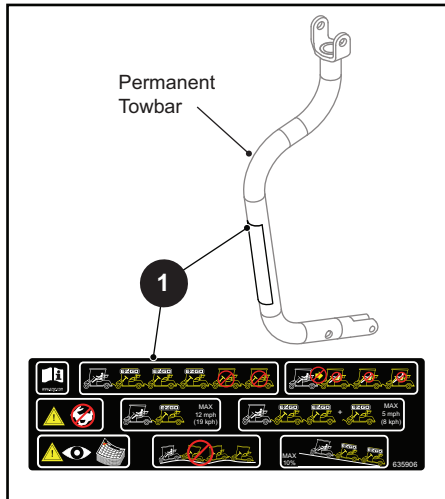




Decals and Labels - Fleet & Freedom

| ITEM | PART NO. | QTY. | DESCRIPTION | NOTES |
|------|----------|------|----------------------------|-----------------------------|
| 1 | 10011930 | 1 | E-Z-GO Name Plate | Platinum |
| 2 | 10020820 | 2 | Yellow Reflector | For Freedom and Freedom 2+2 |
| 3 | 10005569 | 1 | Patent Label | |
| 4 | 685698 | 1 | Decal, Made in USA | For Freedom and Freedom 2+2 |
| 5 | 635906 | 1 | Towbar Warning Label | For Fleet and Freedom |
| 6 | 651671 | 1 | Pinch Warning Decal | For Freedom 2+2 |
| 7 | 697425 | 1 | Rear Seat Label | For Freedom 2+2 |
| 8 | 608993 | 1 | Side Reflector, LH | For Freedom and Freedom 2+2 |
| 9 | 608996 | 1 | Side Reflector, RH | For Freedom and Freedom 2+2 |
| 10 | 625246 | 1 | Rear Reflex Reflector, LH | For Freedom and Freedom 2+2 |
| 11 | 625244 | 1 | Rear Reflex Reflector, RH | For Freedom and Freedom 2+2 |
| 12 | 10007728 | 2 | Elite Branding Decal | |
| 13 | 10030896 | 1 | Charger Cord Routing Label | |

FOR CE VEHICLES



| ITEM | PART NO. | QTY. | DESCRIPTION | NOTES |
|------|----------|------|---------------------------------|-----------------------|
| 1 | 612214 | 1 | Towbar Label | For Fleet and Freedom |
| 2 | 10017005 | 1 | Warning Label | Instrument Panel |
| 3 | 659260 | 1 | Advanced Battery Warning Label | |
| 4 | 608823 | 1 | Hot Decal | |
| 5 | * | 1 | Authorized Representative Decal | |
| 6 | 601783 | 1 | CE Decal | |
| 7 | 608818 | 1 | Grounding Label | |
| 8 | 610991 | 1 | Towing/Maintenance Label | |
| 9 | 610990 | 1 | Towing Instruction Notice Label | |
| 10 | 664283 | 1 | Run/Tow Label | |



TEXTRON SPECIALIZED VEHICLES, INC.

1451 Marvin Griffin Road
Augusta, Georgia 30906 - 3852
USA

CONTACT INFORMATION

North America:

Technical Assistance & Warranty:

Phone: 1-800-774-3946, FAX: 1-800-448-8124

Service Parts Phone:

1-888-GET-E-Z-GO (1-888-438-3946), FAX: 1-800-752-6175

International:

Phone: 001-706-798-4311, FAX: 001-706-771-4609

Service Manuals are available for purchase from a local Distributor, an authorized Branch, Genuine E-Z-GO Parts & Accessories Department or at www.shopezgo.com.

Copyrighted Material

This manual may not be reproduced in whole or in part without the express permission of the manufacturer.