



# PARTS MANUAL

---

## RXV ELITE

FLEET  
FREEDOM  
SHUTTLE 2+2

with IntelliBrake™ Technology

**ELITE**  
LITHIUM

**10015996-A**



# SERVICE PARTS MANUAL

**48V Lithium RXV**

**FLEET  
FREEDOM  
SHUTTLE 2+2**

**STARTING MODEL YEAR 2023**

Never modify the vehicle in any way that will alter the weight distribution of the vehicle, decrease its stability or increase the speed beyond the factory specifications. Such modifications can cause serious personal injury or death. Textron Specialized Vehicles prohibits and dis-claims responsibility for any such modifications or any other alteration which would adversely affect the safety of the vehicle.

TSV reserves the right to incorporate engineering and design changes to products in this manual, without obligation to include these changes on units sold previously.

The information contained in this manual may be revised periodically by TSV, and therefore is subject to change without notice.

TSV DISCLAIMS LIABILITY FOR ERRORS IN THIS MANUAL, and SPECIFICALLY DISCLAIMS LIABILITY FOR INCIDENTAL AND CONSEQUENTIAL DAMAGES resulting from the use of the information and materials in this manual.

These are the original instructions as defined by 2006/42/EC.

## **TO CONTACT US:**

**Textron Specialized Vehicles, Inc.  
1451 Marvin Griffin Road  
Augusta, Georgia, USA 30906-3852**

## **NORTH AMERICA:**

**Technical Assistance & Warranty PHONE: 1-800-774-3946, FAX: 1-800-448-8124**

**Service Parts PHONE: 1-888-438-3946, FAX: 1-800-752-6175**

**International: PHONE: 001-706-798-4311, FAX: 001-706-771-4609**

## GENERAL INFORMATION

To obtain a copy of the limited warranty applicable to the vehicle, call or write a local Distributor, authorized Branch or the Warranty Department with vehicle serial number and manufacturer code.

The use of non Original Equipment Manufacturer (OEM) approved parts may void the warranty.

### BATTERY PROLONGED STORAGE

All batteries will self discharge over time. The rate of self discharge varies depending on the ambient temperature and the age and condition of the batteries.

### BATTERY DISPOSAL

Lithium-ion batteries are recyclable. Return discarded batteries to distributor, manufacturer or contact your local recycling center for instructions. Dispose in accordance with local, state and federal regulations for Lithium-ion batteries. Contact local or state environmental authorized people for the disposal information.



# TABLE OF CONTENTS

<b>SECTION</b>	<b>Page No.</b>
<b>HOW TO USE THE SERVICE PARTS MANUAL</b> .....	<b>V</b>
<b>PEDALS</b> .....	<b>A - 1</b>
<b>BATTERY CHARGER</b> .....	<b>B - 1</b>
<b>BODY</b> .....	<b>C - 1</b>
<b>BRAKES</b> .....	<b>D - 1</b>
<b>ELECTRICAL</b> .....	<b>E - 1</b>
<b>ELECTRONIC SPEED CONTROL</b> .....	<b>F - 1</b>
<b>FRAME</b> .....	<b>G - 1</b>
<b>FRONT SUSPENSION AND STEERING</b> .....	<b>H - 1</b>
<b>MOTOR</b> .....	<b>J - 1</b>
<b>REAR AXLE</b> .....	<b>K - 1</b>
<b>REAR SUSPENSION</b> .....	<b>L - 1</b>
<b>SEATING</b> .....	<b>M - 1</b>
<b>TOW BAR</b> .....	<b>N - 1</b>
<b>WEATHER PROTECTION</b> .....	<b>P - 1</b>
<b>WHEELS AND TIRES</b> .....	<b>R - 1</b>
<b>DECALS AND LABELS</b> .....	<b>T - 1</b>



# HOW TO USE THE SERVICE PARTS MANUAL

This manual is divided into several sections:

- GENERAL INFORMATION
- ILLUSTRATED PARTS BREAKDOWN

The first section, GENERAL INFORMATION, contains the following information:

- WARRANTY INFORMATION
- TABLE OF CONTENT
- HOW TO USE THE SERVICE PARTS MANUAL

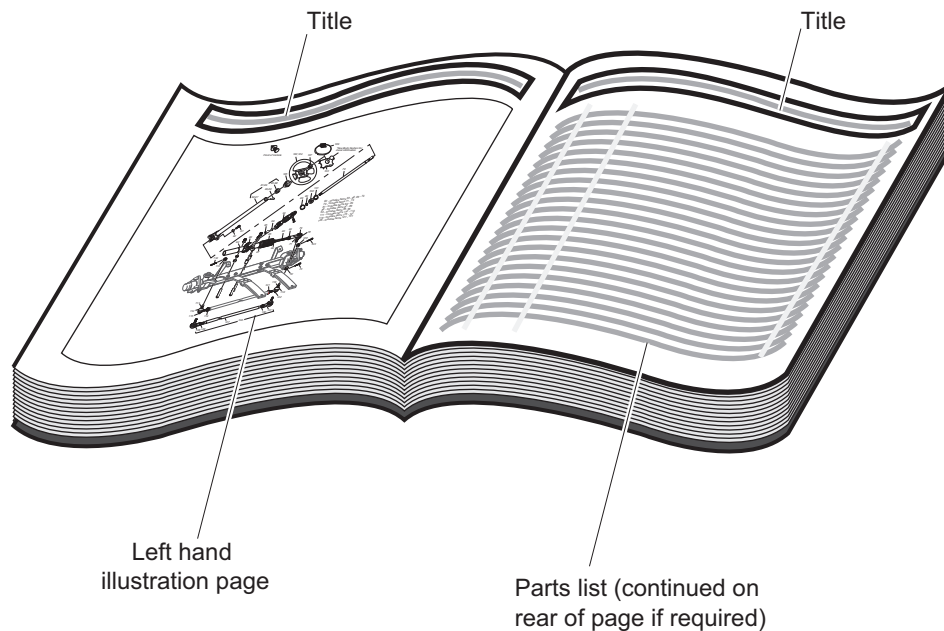
The second section, ILLUSTRATED PARTS BREAKDOWN, contains illustrations and parts lists for all systems of your vehicle.

## USE OF THE MANUAL

To use this manual, consult the TABLE OF CONTENTS to locate the information or illustration required.

Introduction of some revisions varies due to supply of components; therefore, it is possible that various combinations of components may be found that are not directly reflected by each illustration. Consult the illustration that best suits your situation and then contact the Service Parts Department. It is important that the serial number or VIN of your vehicle and the model name be supplied to Service Parts when ordering any replacement components.

# HOW TO USE THE SERVICE PARTS MANUAL



## 1. WHEN THE PART NUMBER IS NOT KNOWN

- Determine the function and application of the part required. Turn to the Table of Content and select the most appropriate title.
- Turn to the page number indicated and locate the desired part on the illustration.
- From the illustration, obtain the item number assigned to the desired part. Refer to the accompanying description for specific information regarding the part.

## 2. IF YOU KNOW THE PART NUMBER

- Locate the part number or description in the appropriate column on the parts list page.

NOTE: It is suggested that you confirm that the part selected is correct by verifying it with the pictorial representation on the illustrated page.

Should an asterisk (\*) appear in the part number column on the parts list page, read upwards until a part number is found. The part number is the lowest assembly sold by Service Parts and the asterisk (\*) indicates that the part depicted is not available for purchase.

NOTE: Descriptions are indented under the assembly that they are used on. That assembly is, in turn listed under the assembly that it is used on. This process is repeated until the highest final assembly is reached.

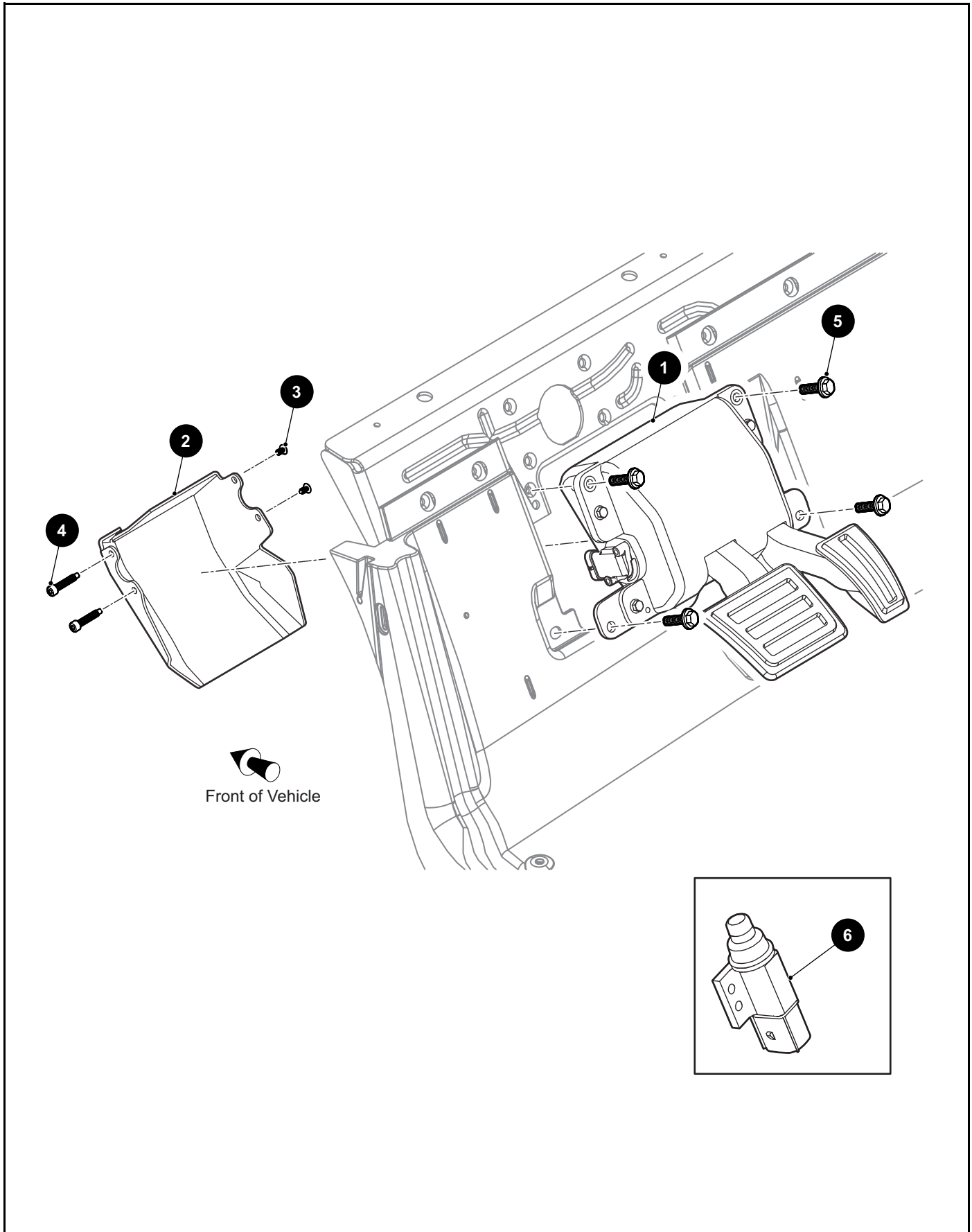
**To facilitate the maintenance and repair of the vehicle, Service Manuals are available from the manufacturer.**

## 3. COLOR CODE FOR BODY COMPONENTS

The last two digits of the part number for the body part will denote the color code, locate the part number for the cowl, rear body, seat pod, side panel or seat wrap then locate your color in the list below, replace the last \*\* or XX with the two digit color code.

<b><u>CODE #</u></b>	<b><u>DESCRIPTION</u></b>
11	BLACK
19	PATRIOT BLUE PEARL
20	INFERNO RED METALLIC
31	METALLIC CHARCOAL
36	IVORY
37	FOREST GREEN
38	BRIGHT WHITE
39	FLAME RED
41	ELECTRIC BLUE
42	PLATINUM
43	BURGUNDY
44	ALMOND
51	SUNBURST ORANGE
A5	OCEAN GRAY
A6	PEARL WHITE
A7	SLATE GRAY

# PEDALS



THE USE OF NON U.L. PARTS WILL VOID ANY U.L. LISTING.

When ordering parts, please specify the model and serial number of the product.

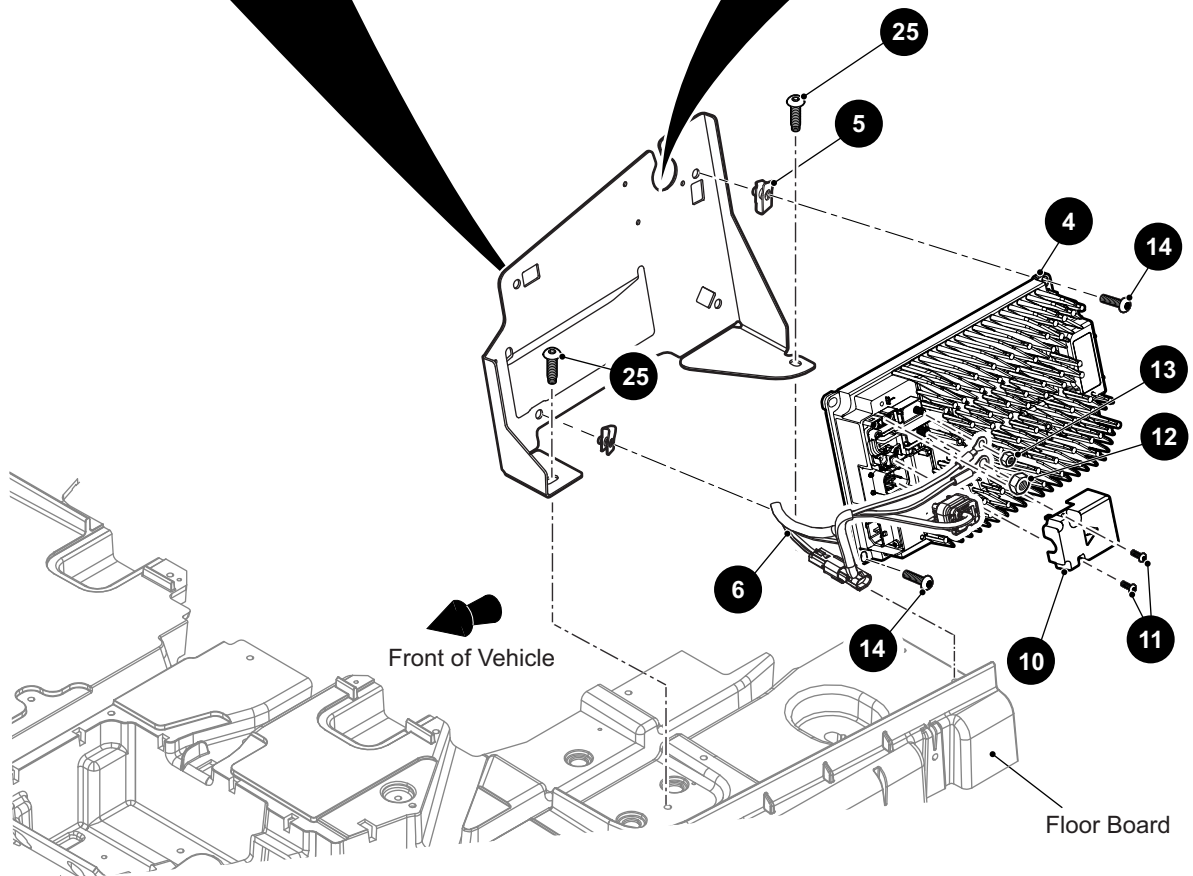
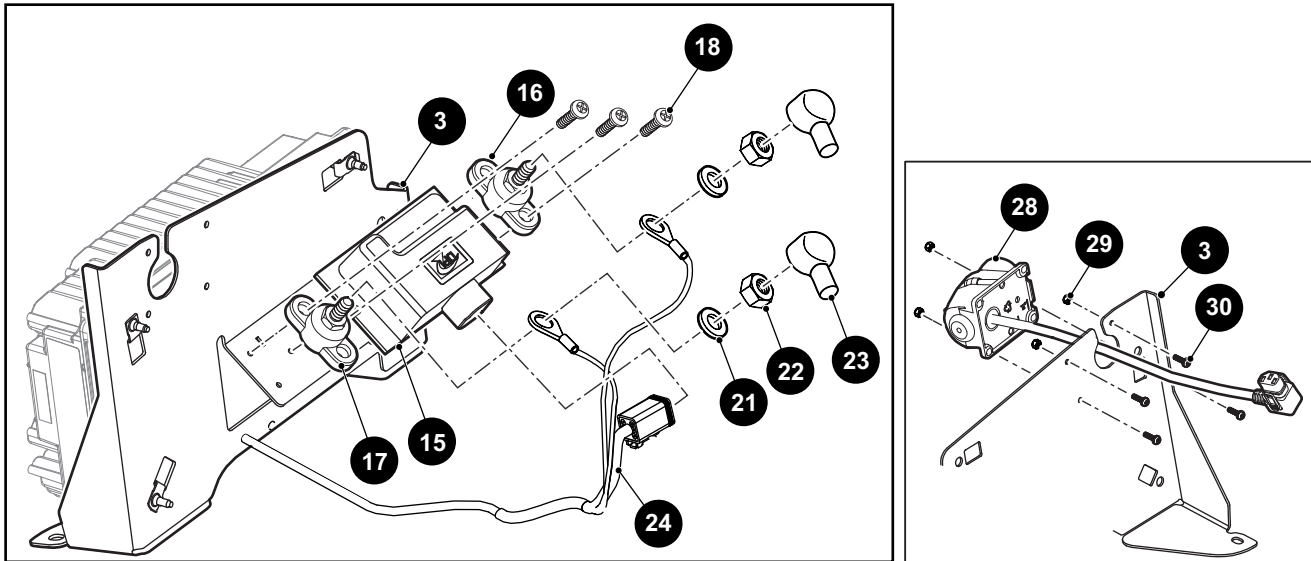
\* Indicates a component that is not available as an individual part.

\*\*\* Indicates consult Customer Service Department for additional information.

ITEM	PART NO.	1 2 3 4 5	DESCRIPTION	QTY.
1	10002019		Hanging Pedals.....	1
2	10010054		Hanging Pedals Cover .....	1
3	16816G5		Ratchet Rivet, .187" x .550" .....	2
4	71102G01		Hex Head Washer Bolt, 1/4" - 20 x 3/4" Lg, Grade 5 .....	2
5	10025814		Pan Head Taptite Bolt, M8 - 1.25 x 30mm Lg .....	4
6	612889		Pedal Switch .....	2

# BATTERY CHARGER

- 1 On-board Charger Assembly with DC-DC Converter includes items 3 - 18
- 2 On-board Charger Assembly without DC-DC Converter includes items 3 - 14
- 27 Receptacle Installation Kit includes items 28 - 30





# BATTERY CHARGER

THE USE OF NON U.L. PARTS WILL VOID ANY U.L. LISTING.

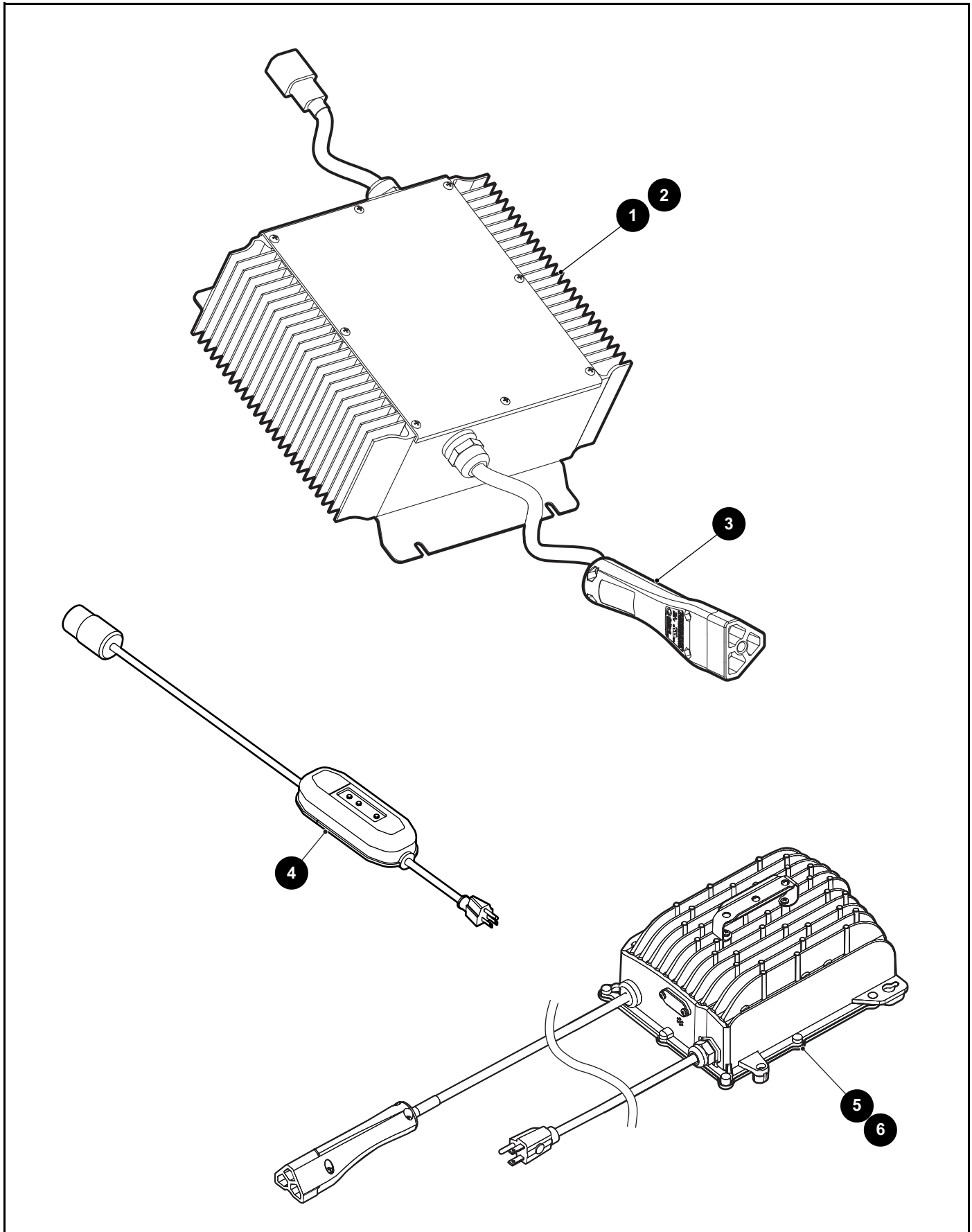
When ordering parts, please specify the model and serial number of the product.

\* Indicates a component that is not available as an individual part.

\*\*\* Indicates consult Customer Service Department for additional information.

ITEM	PART NO.	1 2 3 4 5	DESCRIPTION	QTY.
1	10030608G01		On-board Charger Assembly with DC-DC Converter (Includes Items 3 - 18)..	1
2	10030608G02		On-board Charger Assembly without DC-DC Converter (Includes Items 3 - 14) (For Fleet Only) .....	1
3	10030332		On-board Charger Bracket .....	1
4	673928		On-board Charger .....	1
5	*		Barrel Clip, M6 - 1.....	4
6	10030739		Charger Harness .....	1
7				
8				
9				
10	10008712		Terminal Cover .....	1
11	10008716		Thread Forming Screw, M4 - .7 x 8mm Lg .....	2
12	10008718		Lock Nut, M8 (Positive Side) .....	1
13	10008717		Lock Nut, M6 (Negative Side).....	1
14	634161		Flanged Button Head Torx Bolt, M6 - 1 x 30mm Lg.....	4
15	10000543		DC-DC Converter .....	1
16	662824G01		Terminal Stud (Red).....	1
17	662824G02		Terminal Stud (Black) .....	1
18	632372		Tapping Screw, #10 - 32 x 3/4" Lg .....	6
19				
20	31539G1		Nylon Clamp, 15.5" Lg (Not Illustrated).....	1
21	00559G8		Flat Washer, 5/16" .....	2
22	00702G2		Hex Nut, 5/16" - 18.....	2
23	25682G01		Terminal Boot (For Fleet Only).....	2
24	608182		DC-DC Converter Harness (For Fleet Only) .....	1
25	649804		Button Head Torx Screw, M8 - 3.5 x 30mm Lg.....	2
26				
27	10031854		Receptacle Installation Kit (Includes items 28 - 30) .....	1
28	10030671		Receptacle.....	1
29	14390G10		Lock Nut, #10 - 24 .....	4
30	*		Pan Head Phillips Screw, #10 - 24 x 3/4" Lg .....	4

# BATTERY CHARGER



# BATTERY CHARGER

THE USE OF NON U.L. PARTS WILL VOID ANY U.L. LISTING.

When ordering parts, please specify the model and serial number of the product.

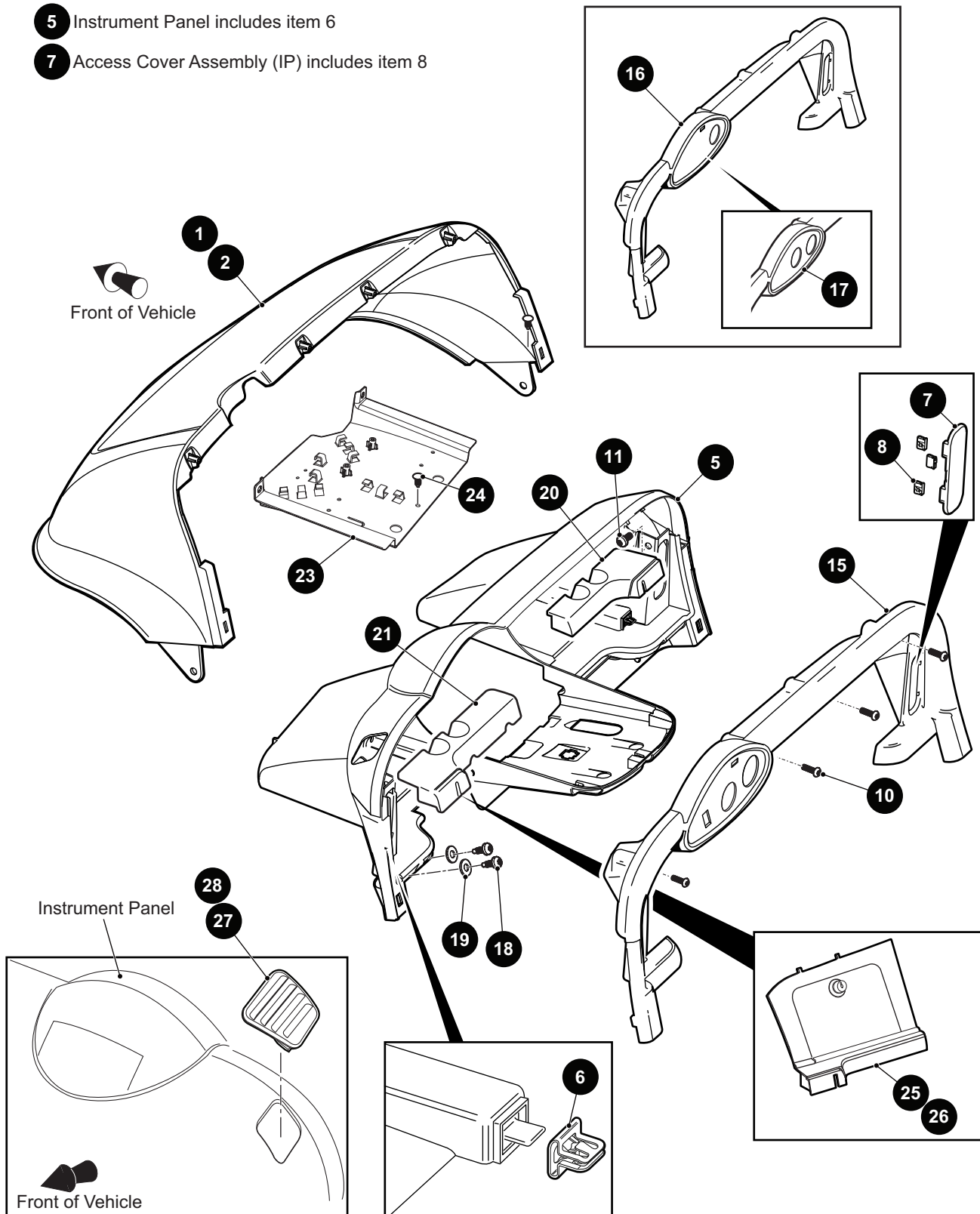
\* Indicates a component that is not available as an individual part.

\*\*\* Indicates consult Customer Service Department for additional information.

ITEM	PART NO.	1 2 3 4 5	DESCRIPTION	QTY.
1	10004916		Battery Charger, 3 Meter Cord .....	1
2	10004924		Battery Charger, 5.5 Meter Cord .....	1
3	657667		Battery Charger Paddle.....	1
4	652608		Charger Cord, 5 meter (For Vehicles with On-board Charger) .....	1
5	10009053G04		Battery Charger, 350 Watt, 3 Meter Cord (International) .....	1
6	10009053G03		Battery Charger, 350 Watt, 3 Meter Cord (Domestic) .....	1

5 Instrument Panel includes item 6

7 Access Cover Assembly (IP) includes item 8



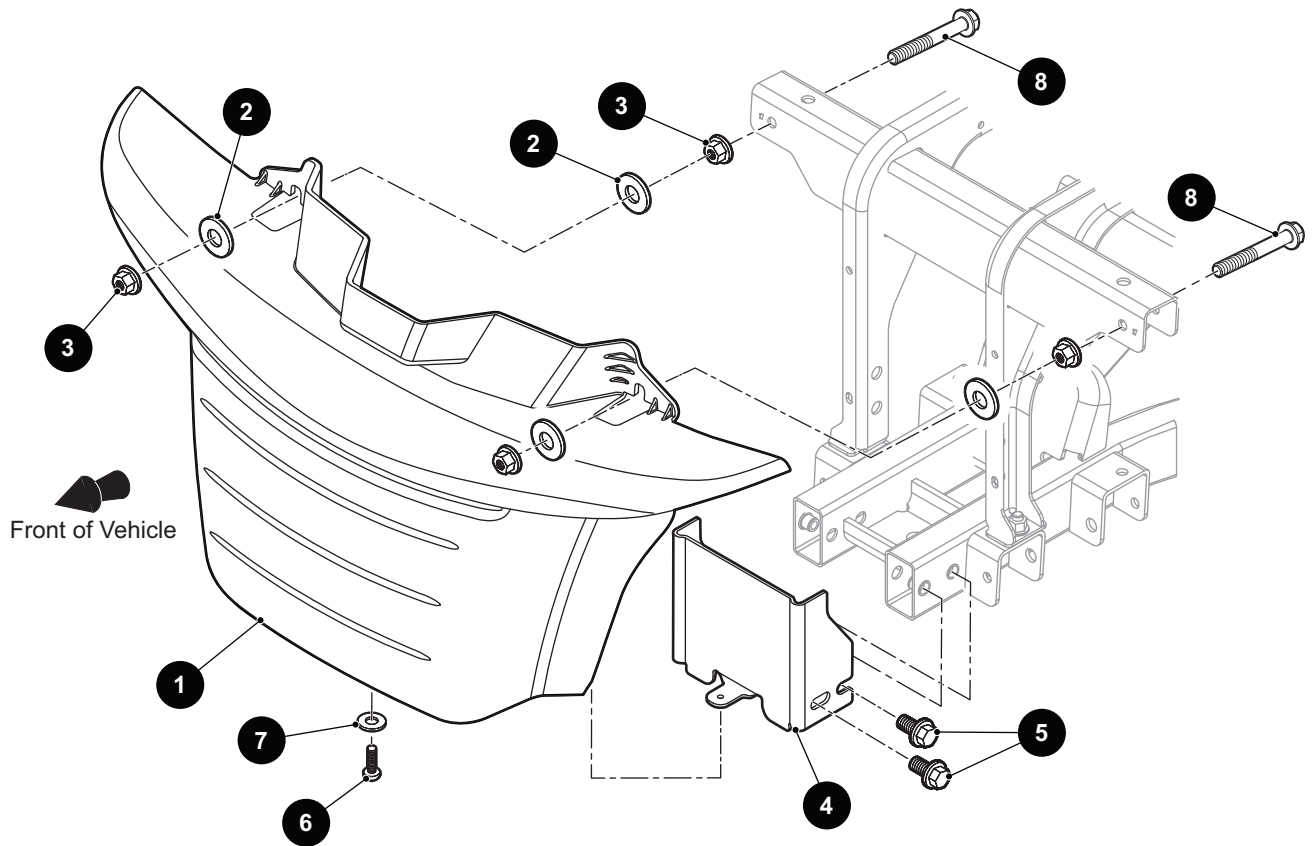
THE USE OF NON U.L. PARTS WILL VOID ANY U.L. LISTING.

When ordering parts, please specify the model and serial number of the product.

\* Indicates a component that is not available as an individual part.

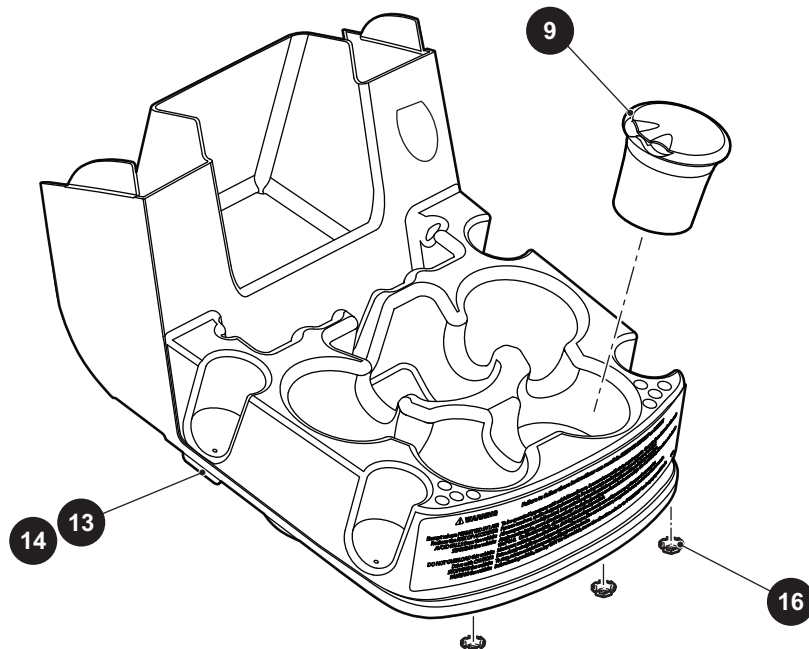
\*\*\* Indicates consult Customer Service Department for additional information.

ITEM	PART NO.	1 2 3 4 5	DESCRIPTION	QTY.
1	645759G00**		Cowl Without Lights (See HOW TO USE Section for COLOR CODES) (For Fleet) .....	1
2	645759G01**		Cowl with Lights (See HOW TO USE Section for COLOR CODES) (For Freedom and Shuttle 2+2).....	1
3				
4				
5	602387		Instrument Panel (Includes Item 6) .....	1
6	602184		Spring Clip .....	4
7	602388		Access Cover Assembly (IP) (Includes Item 8) .....	1
8	602100		U-clip .....	3
9				
10	649803		Pan Head Torx Screw, M6 - 2.65 x 25mm Lg.....	4
11	70200G01		Truss Head Torx Bolt, 3/8" - 16 x 3/4" Lg .....	2
12				
13				
14				
15	608864		Instrument Panel Trim (Opening for Key Switch, SOC and Light Switch) (For Freedom & Shuttle 2+2) .....	1
16	600242		Instrument Panel Trim (Opening for Key Switch Only) (For Fleet).....	1
17	608808		Instrument Panel Trim (Opening for Key Switch and SOC) (For Fleet) .....	1
18	10025814		Pan Head Taptite Bolt, M8 - 1.25 x 30mm Lg .....	4
19	604066		Flat Washer, M10 .....	4
20	600241		Ball Holder Insert (Passenger Side).....	1
21	600243		Ball Holder Insert (Driver Side) .....	1
22				
23	683595		Front Component Mount Plate .....	1
24	16816G2		Ratchet Rivet, .25" x .887" .....	1
25	607131		Glove Box (Passenger Side).....	1
26	607533		Glove Box (Driver Side) .....	1
27	602993		Grommet (Driver Side) (Used for Vehicles without Sun Top) .....	1
28	602994		Grommet (Passenger Side) (Used for Vehicles without Sun Top) .....	1



**11** Center Console, Base Assembly includes item 13

**12** Center Console, USB Assembly includes item 14



THE USE OF NON U.L. PARTS WILL VOID ANY U.L. LISTING.

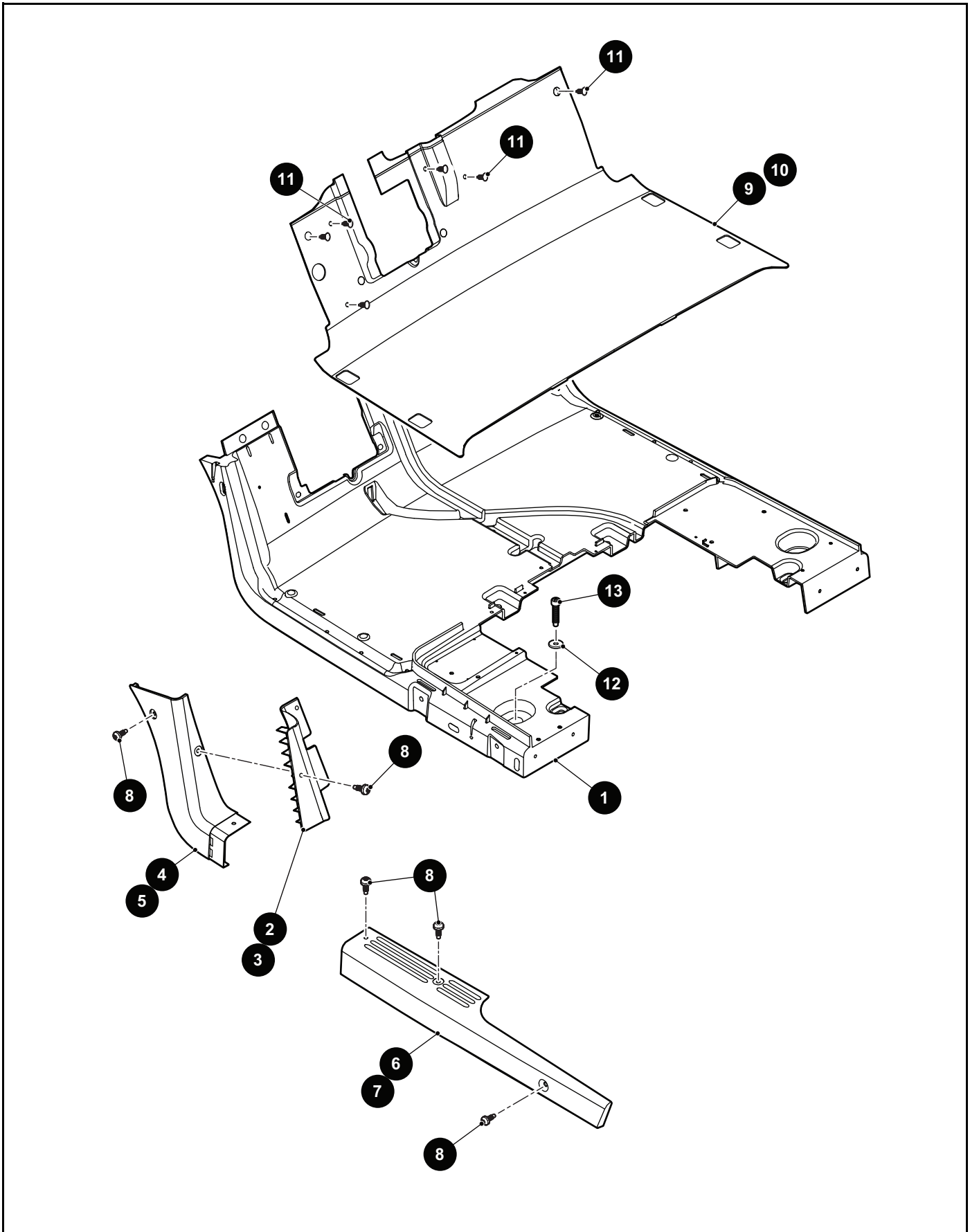
When ordering parts, please specify the model and serial number of the product.

\* Indicates a component that is not available as an individual part.

\*\*\* Indicates consult Customer Service Department for additional information.

ITEM	PART NO.	1 2 3 4 5	DESCRIPTION	QTY.
1	10014753		Front Fascia .....	1
2	604066		Flat Washer, M10 .....	4
3	600525		Flanged Lock Nut, M10 - 1.5.....	4
4	10018508		Bumper Attachment Bracket .....	1
5	603799		Flanged Hex Head Bolt, M10 - 1.5 x 25mm Lg, Grade 8.8.....	4
6	646348		Thread Forming Screw, 1/4" - 20 x 1" Lg .....	1
7	646345		Flat Washer, 1/4" .....	1
8	602415		Flanged Hex Head Bolt, M10 - 1.5 x 80mm Lg, Grade 12.9.....	2
9	603725		Ashtray .....	1
10				
11	686696G01		Center Console, Base Assembly (Includes Item 13) (For Fleet Only).....	1
12	686696G02		Center Console, USB Assembly (Includes Item 14).....	1
13	694334G01		Center Console, Base .....	1
14	694334G02		Center Console, USB .....	1
15				
16	71597G01		Self Threading Nut, .1/4" .....	3

# BODY





THE USE OF NON U.L. PARTS WILL VOID ANY U.L. LISTING.

When ordering parts, please specify the model and serial number of the product.

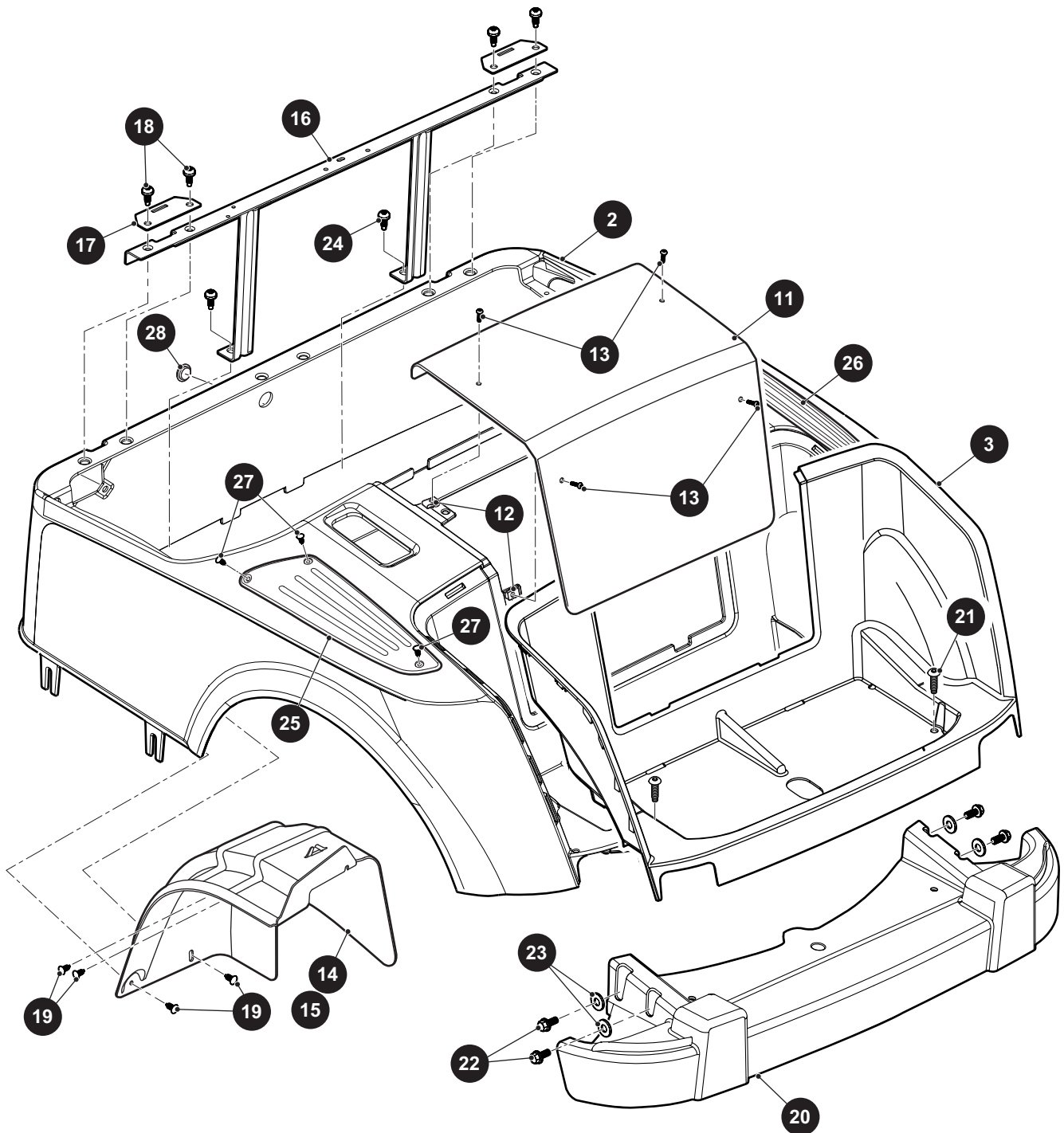
\* Indicates a component that is not available as an individual part.

\*\*\* Indicates consult Customer Service Department for additional information.

ITEM	PART NO.	1 2 3 4 5	DESCRIPTION	QTY.
1	10024752		Floorboard.....	1
2	10017979G01		Upper Rocker Adapter (Driver Side) .....	1
3	10017979G02		Upper Rocker Adapter (Passenger Side).....	1
4	601257		Upper Rocker Panel (Driver Side).....	1
5	601258		Upper Rocker Panel (Passenger Side).....	1
6	600253		Lower Rocker Panel (Driver Side).....	1
7	600257		Lower Rocker Panel (Passenger Side).....	1
8	649804		Button Head Torx Screw, M8 - 3.5 x 30mm Lg.....	10
9	687964		Floormat (For Fleet) .....	1
10	10030247		Floormat (For Freedom and Shuttle 2+2) .....	1
11	16816G1		Ratchet Rivet, 25" x .680" .....	6
12	604066		Flat Washer, M10 .....	2
13	602020		Socket Head Torx Bolt, M10 - 1.5 x 50mm Lg, Grade 8.8.....	2

# BODY

- 1 Rear Body Assembly without Lights includes items 2, 3
- 5 Rear Body Assembly with Lights includes items 6 - 8
- 6 Rear Body Assembly with Lights includes items 7, 8



THE USE OF NON U.L. PARTS WILL VOID ANY U.L. LISTING.

When ordering parts, please specify the model and serial number of the product.

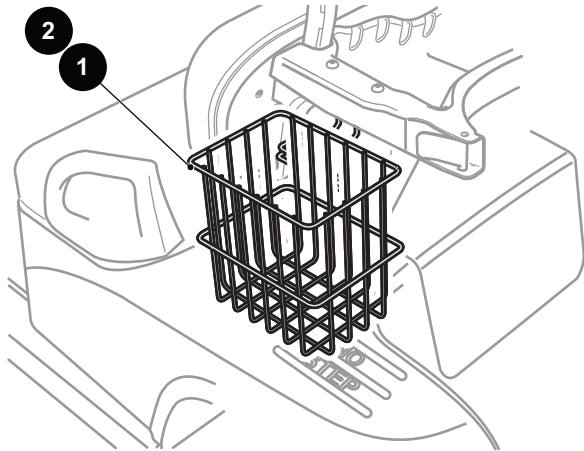
\* Indicates a component that is not available as an individual part.

\*\*\* Indicates consult Customer Service Department for additional information.

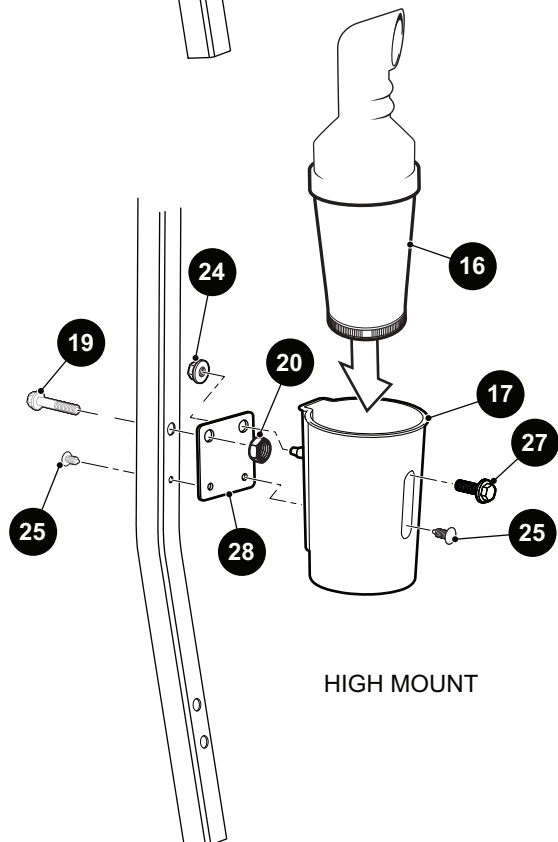
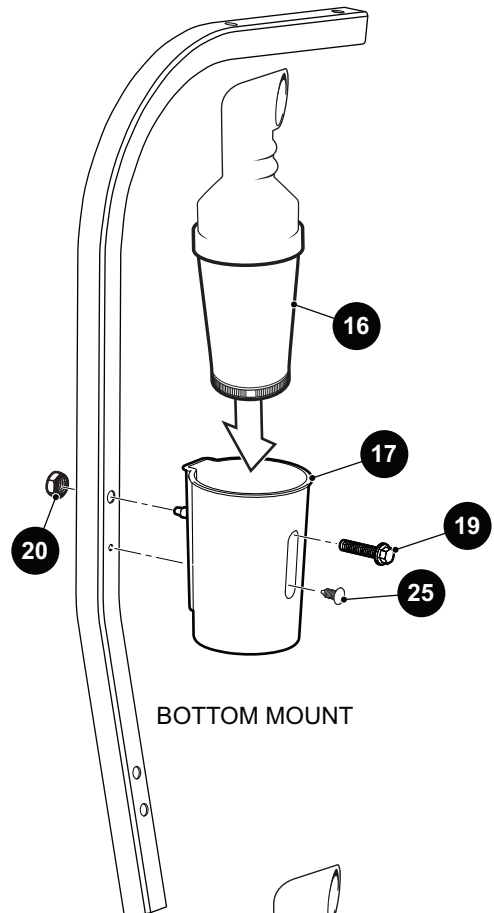
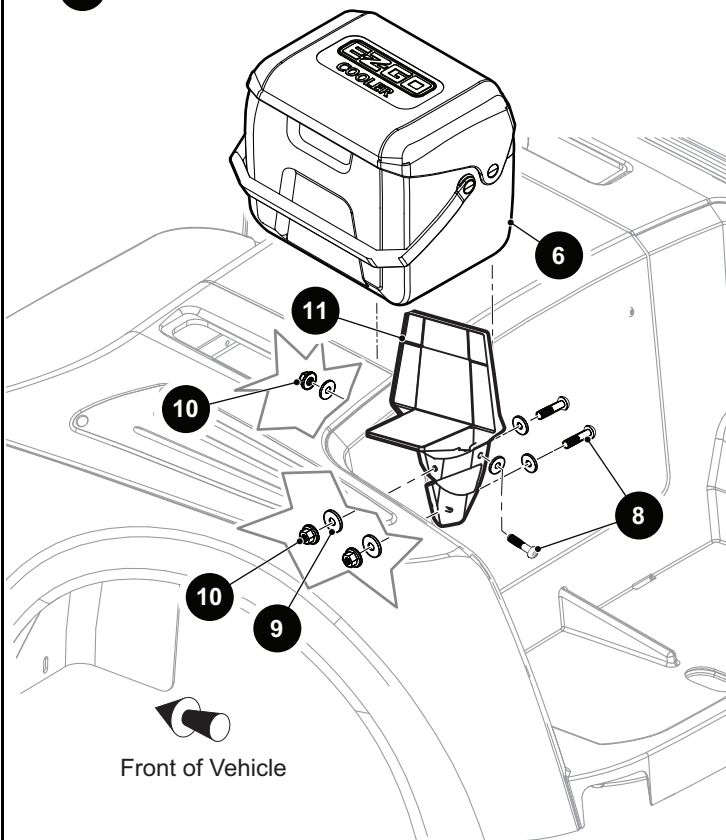
ITEM	PART NO.	1 2 3 4 5	DESCRIPTION	QTY.
1	650353G00**		Rear Body Assembly without Lights (Includes Items 2, 3) (See HOW TO USE Section for COLOR CODES) (For Fleet).....	1
2	650311G00**		Body .....	1
3	650254		Bagwell Liner .....	1
4				
5	650353G04**		Rear Body Assembly with Light (See HOW TO USE Section for COLOR CODES) (Includes Items 6 - 8) (For Freedom and Shuttle 2+2).....	1
6	650353G00**		Rear Body Assembly With Light (See Color Codes In How To Use Section) (Includes Items 7 - 8).....	1
7	650311G00**		Body .....	1
8	650254		Bagwell Liner.....	1
9				
10				
11	650443		Access Cover .....	1
12	*		Barrel Clip, M6 - 1 .....	4
13	601326		Button Head Torx Bolt, M6 - 1 x 20mm Lg, Grade 8.8 .....	4
14	601621		Rear Splash Guard (Driver Side) .....	1
15	601622		Rear Splash Guard (Passenger Side).....	1
16	601921		Front Seat Support Assembly .....	1
17	602558		Seat Hinge Plate .....	2
18	602572		Pan Head Taptite Bolt, M10 - 1.5 x 25mm Lg, Grade 8.8 .....	4
19	16816G2		Ratchet Rivet, .25" x .887" .....	8
20	689702		Rear Bumper.....	1
21	649804		Button Head Torx Screw, M8 - 3.50 x 30mm Lg.....	2
22	603799		Flanged Hex Head Bolt, M10 - 1.5 x 25mm Lg, Grade 8.8 .....	4
23	00643G1		Flat Washer, 3/8" .....	4
24	602572		Pan Head Taptite Bolt, M10 - 1.5 x 25mm Lg, Grade 8.8 .....	2
25	639807G01		Scuff Guard (Driver Side).....	1
26	639807G02		Scuff Guard (Passenger Side) .....	1
27	16816G5		Ratchet Rivet, .187" x .550" .....	6
28	71316G01		Plug.....	1

## FOR FLEET AND FREEDOM ONLY

- 15 Sand Bottle Kit includes items 16 - 25
- 18 Hardware Kit includes items 19 - 25
- 26 Hardware Kit (High Mount) includes items 24, 25 and 27, 28



- 5 Beverage Cooler Kit includes items 6 - 11
- 7 Hardware Kit includes items 8 - 10



THE USE OF NON U.L. PARTS WILL VOID ANY U.L. LISTING.

When ordering parts, please specify the model and serial number of the product.

\* Indicates a component that is not available as an individual part.

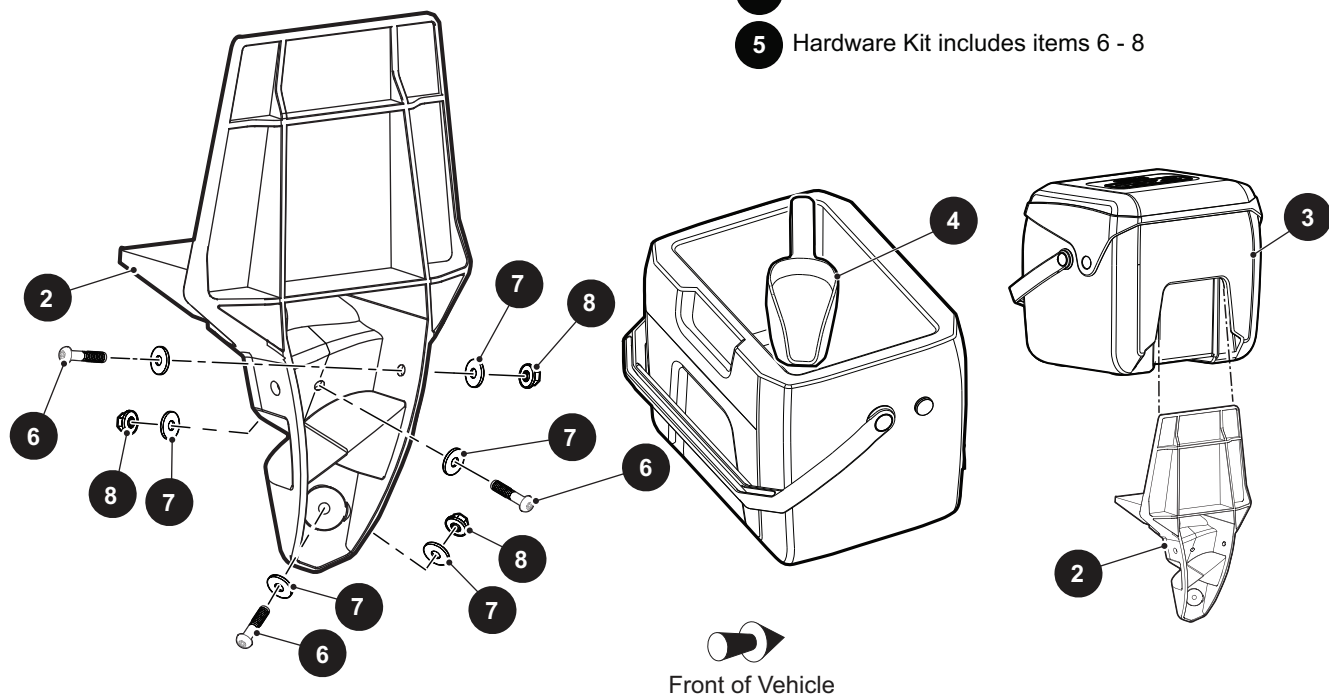
\*\*\* Indicates consult Customer Service Department for additional information.

ITEM	PART NO.	1 2 3 4 5	DESCRIPTION	QTY.
1	603846		Side Basket (Driver Side).....	1
2	603702		Side Basket (Passenger Side) .....	1
3				
4				
5	689255		Beverage Cooler Kit (Includes Items 6 - 11) .....	1
6	658503		Beverage Cooler.....	1
7	689269		Hardware Kit (Includes Items 8 - 10).....	1
8	*		Truss Head Bolt, M6 x 1.....	3
9	*		Flat Washer, M6 x 18 .....	6
10	*		Lock Nut, M6 x 1 .....	3
11	689244		Universal Bracket .....	1
12				
13				
14				
15	614179		Sand Bottle Kit (Includes Items 16 - 25).....	1
16	600612		Sand Bottle .....	1
17	28660G01		Sand Bottle Holder .....	1
18	614191		Hardware Kit (Includes Items 19 - 25).....	1
19	603800		Flanged Hex Head Bolt, M10 - 1.5 x 50mm Lg, Grade 8.8.....	1
20	800706		Lock Nut, M10 - 1.5.....	1
21	71102G01		Hex Head Washer Bolt, 1/4" - 20 x 3/4" Lg, Grade 5 (Not Illustrated).	1
22	602572		Pan Head Taptite Bolt, M10 - 1.5 x 25mm Lg, Grade 8.8 (Not Illustrated).....	1
23	*		Hex Head Bolt, 1/4" - 20 x 3/4" Lg (Not Illustrated).....	1
24	600525		Flanged Lock Nut, M10 - 1.5.....	1
25	16816G2		Ratchet Rivet, .25" x .887" .....	1
26	647306		Hardware Kit (High Mount) (Includes Items 24, 25 and 27, 28).....	1
27	603799		Flanged Hex Head Bolt, M10 - 1.5 x 25mm Lg, Grade 8.8 .....	1
28	647797		Bracket .....	1

## FOR FLEET AND FREEDOM ONLY

**1** Sand Bucket Kit includes items 2 - 8

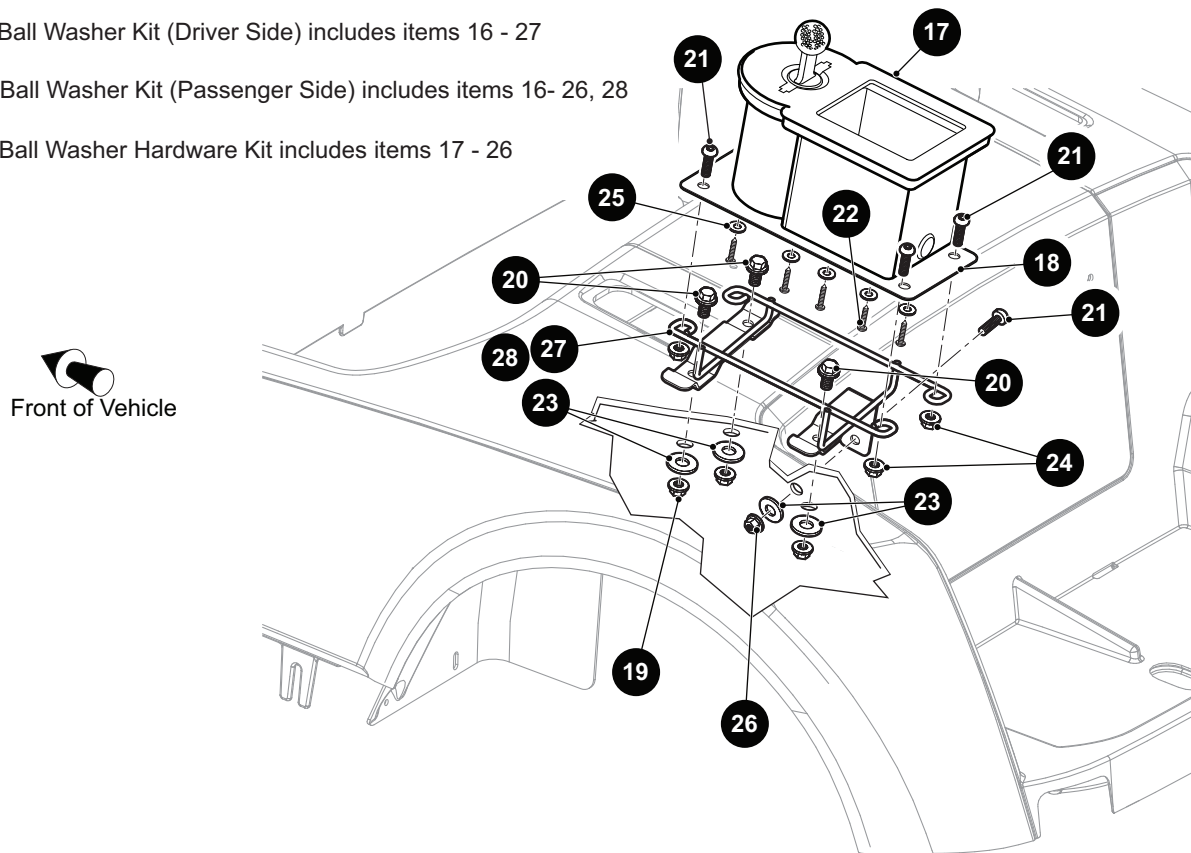
**5** Hardware Kit includes items 6 - 8



**14** Club and Ball Washer Kit (Driver Side) includes items 16 - 27

**15** Club and Ball Washer Kit (Passenger Side) includes items 16- 26, 28

**16** Club and Ball Washer Hardware Kit includes items 17 - 26



THE USE OF NON U.L. PARTS WILL VOID ANY U.L. LISTING.

When ordering parts, please specify the model and serial number of the product.

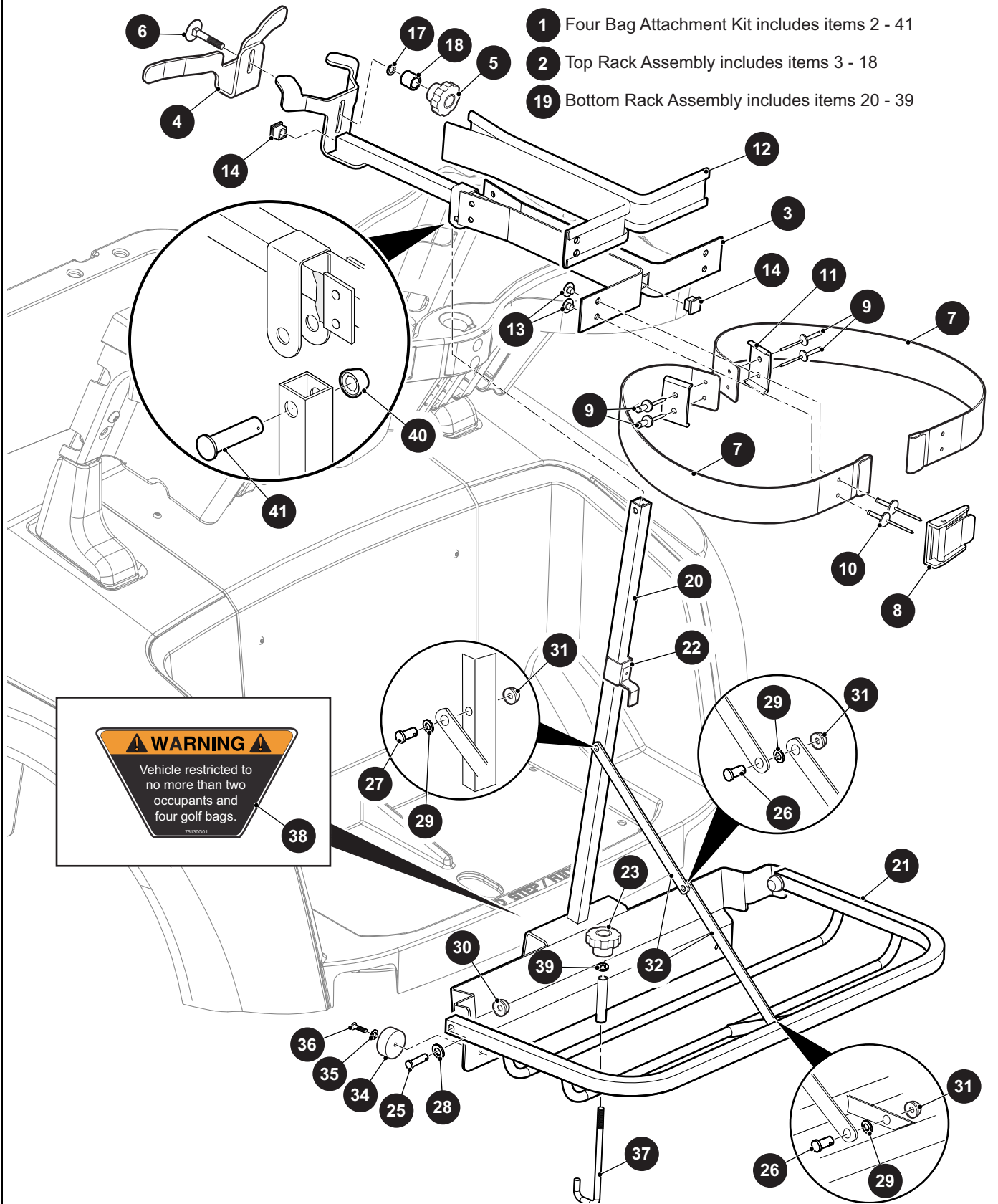
\* Indicates a component that is not available as an individual part.

\*\*\* Indicates consult Customer Service Department for additional information.

ITEM	PART NO.	1 2 3 4 5	DESCRIPTION	QTY.
1	689254		Sand Bucket Kit (Includes Items 2 - 8).....	1
2	689244		Bracket .....	1
3	662248		Sand Bucket .....	1
4	74848G01		Scoop .....	1
5	689269		Hardware Kit (Includes Items 6 - 8).....	1
6	*		Truss Head Torx Bolts, M6 - 1 x 30mm Lg .....	3
7	*		Flat Washer, M6 - 30 .....	6
8	*		Hex Lock Nuts, M6 - 1.....	3
9				
10				
11				
12				
13				
14	643092		Club and Ball Washer Kit (Driver Side) (Includes Items 16 - 27) .....	1
15	643094		Club and Ball Washer Kit (Passenger Side) (Includes Items 16 - 26, 28).....	1
16	643161		Club and Ball Washer Hardware Kit (Includes Items 17 - 26) .....	1
17	603836		Club and Ball Washer .....	1
18	604384		Club and Ball Washer Plate .....	1
19	606274		Flanged Hex Nut, M10 - 1.25 .....	3
20	606256		Flanged Hex Head Bolt, M10 - 1.25 x 25mm Lg, Grade 8.8.....	3
21	600530		Button Head Torx Bolt, M10 - 1.5 x 25mm Lg, Grade 8.8 .....	5
22	608732		Pan Head Phillips Screw, M8 .....	5
23	608520		Flat Washer, M10 .....	4
24	600525		Lock Nut, M10 - 1.5.....	4
25	608747		Flat Washer, M6 x 1.5 .....	5
26	614974		Torque Nut, M10 - 1.5 .....	1
27	643091		Mounting Bracket (Driver Side) .....	1
28	643093		Mounting Bracket (Passenger Side).....	1

## FOR FLEET AND FREEDOM ONLY

- 1 Four Bag Attachment Kit includes items 2 - 41
- 2 Top Rack Assembly includes items 3 - 18
- 19 Bottom Rack Assembly includes items 20 - 39



**WARNING**  
 Vehicle restricted to no more than two occupants and four golf bags.  
 75180291



THE USE OF NON U.L. PARTS WILL VOID ANY U.L. LISTING.

When ordering parts, please specify the model and serial number of the product.

\* Indicates a component that is not available as an individual part.

\*\*\* Indicates consult Customer Service Department for additional information.

ITEM	PART NO.	1 2 3 4 5	DESCRIPTION	QTY.
1	646547		Four Bag Attachment Kit (Includes Items 2 - 41) .....	1
2	646557		Top Rack Assembly (Includes Items 3 - 18) .....	1
3	646556		Top Mount Rack .....	1
4	608939		Under Mount Bracket .....	1
5	75337G01		Knob, 5/16" - 18 .....	1
6	00724G5		Elevator Bolt, 5/16" - 18 x 2" Lg .....	1
7	17641G1		Strap (Four Bag Rack) .....	2
8	16920G1		Strap Retainer Assembly.....	2
9	17226G1		Rivet, .255" x .246".....	4
10	15058G1		Rivet (Aluminum), .191"X .183".....	4
11	16610G1		Anchor Plate.....	2
12	14643G3		Vinyl Extrusion .....	2
13	16935G1		Tee Nut.....	4
14	19859G1		Tube Cap, 3/4" Sq.....	2
15	17618G1		Nylon Clamp, 8" Lg (Not Illustrated).....	2
16	14382G7		Strip (Noise Suppressor) (Not Illustrated) .....	2
17	00567G8		Lock Washer (External Tooth Type), 5/16" .....	1
18	75048G04		Spacer.....	1
19	647152		Bottom Rack Assembly (Includes Items 20 - 39).....	1
20	*		Lower Mount .....	1
21	*		Four Bag Bottom Assembly.....	1
22	*		Latch Assembly .....	1
23	*		Knob, 5/16" - 18 .....	1
24	*		Vinyl Shrink Tubing (Not Illustrated).....	1
25	*		Clevis Pin, 3/8" x 1.25".....	2
26	*		Clevis Pin, 5/16" x .625".....	2
27	*		Clevis Pin, 5/16" x 1.25" .....	1
28	*		Flat Washer, 3/8" .....	2
29	*		Flat Washer, 5/16" .....	3
30	*		Cap Nut (Black), 3/8" .....	2
31	*		Cap Nut (Plastic), 5/16".....	3

# BODY

THE USE OF NON U.L. PARTS WILL VOID ANY U.L. LISTING.

When ordering parts, please specify the model and serial number of the product.

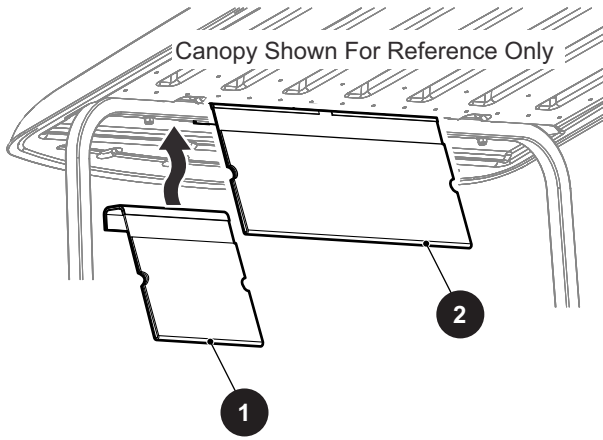
\* Indicates a component that is not available as an individual part.

\*\*\* Indicates consult Customer Service Department for additional information.

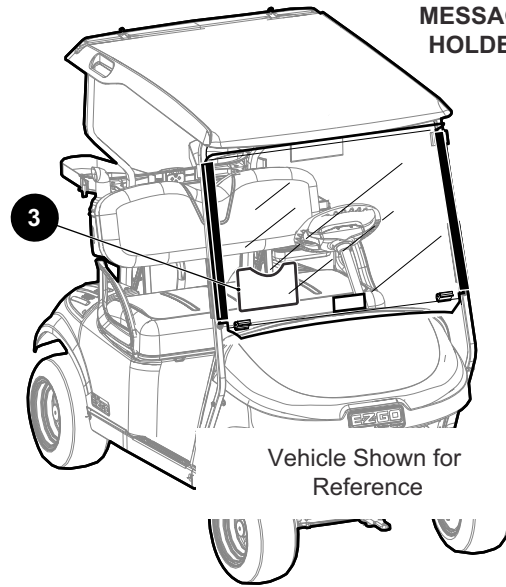
ITEM	PART NO.	1	2	3	4	5	DESCRIPTION	QTY.
32	*						Brace .....	2
33	*						Nylon Clamp, 8" Lg (Not Illustrated) .....	1
34	*						Rubber Bumper .....	2
35	*						Flat Washer, #10.....	2
36	*						Rivet, 3/16 x .825" .....	2
37	*						Retainer Rod .....	1
38	*						Warning Label.....	1
39	*						Lock Washer, 5/16".....	1
40	28129G01						Cap Nut (Plastic), 5/16".....	1
41	17651G2						Clevis Pin, 5/16" x 1.25" .....	1



## MESSAGE HOLDER

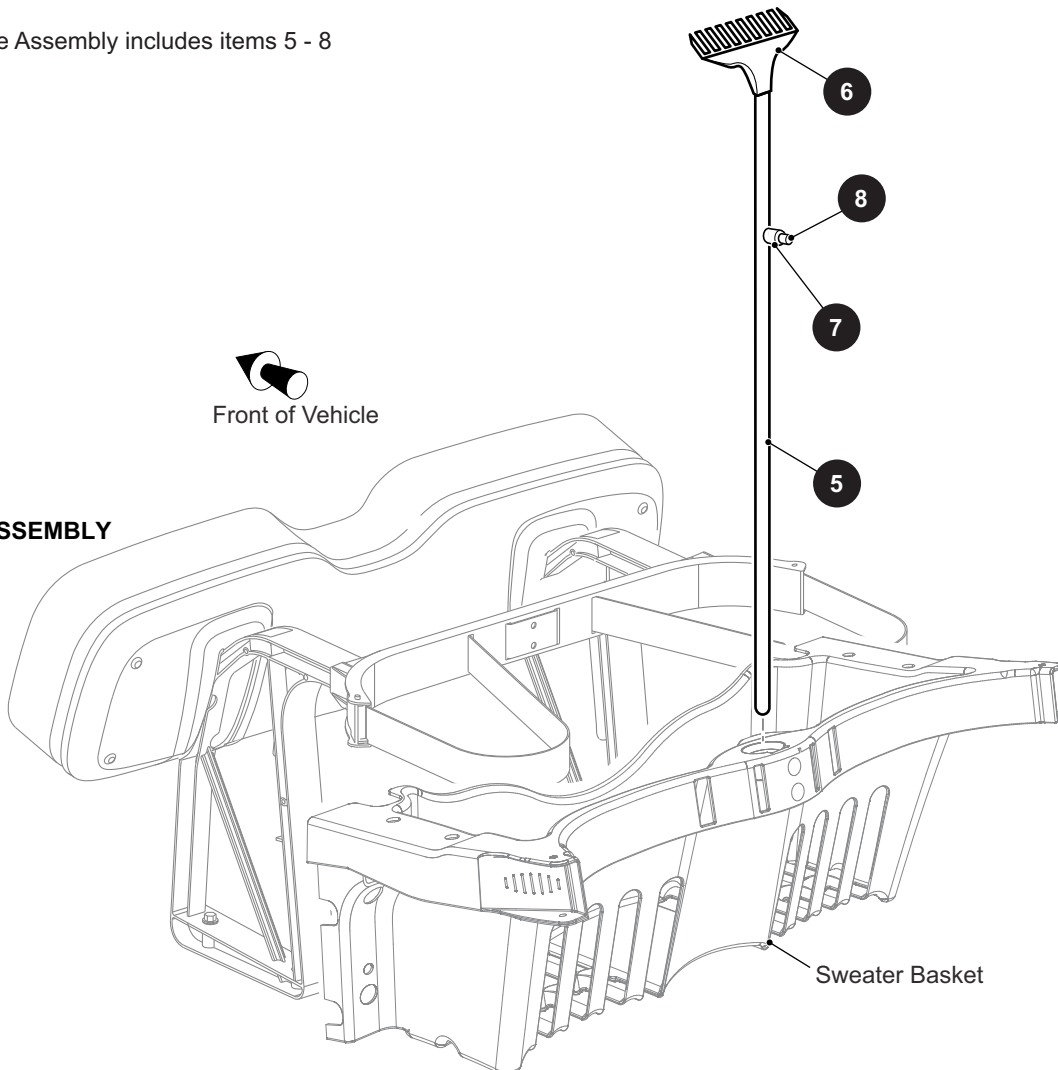


## MESSAGE HOLDER



4 Rake Assembly includes items 5 - 8

## RAKE ASSEMBLY



THE USE OF NON U.L. PARTS WILL VOID ANY U.L. LISTING.

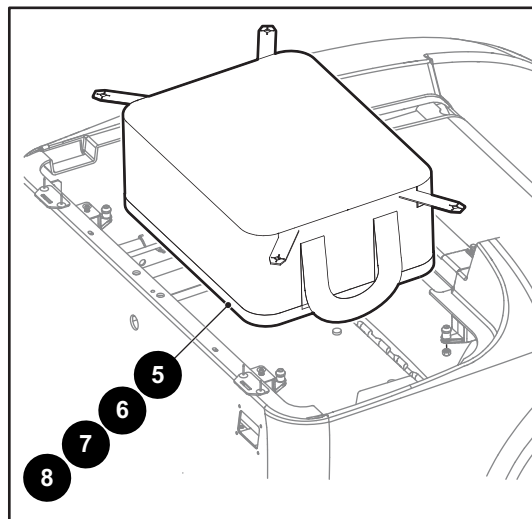
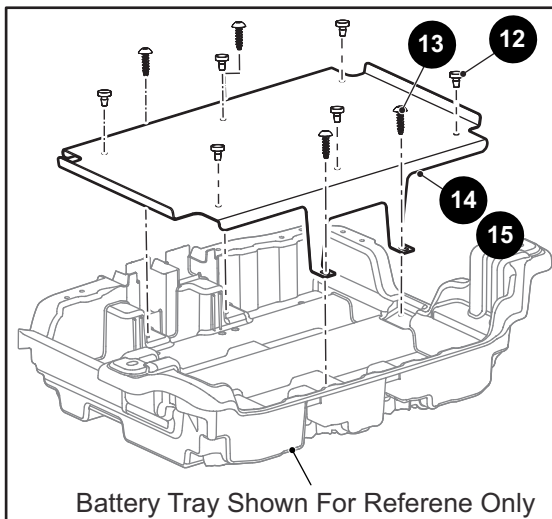
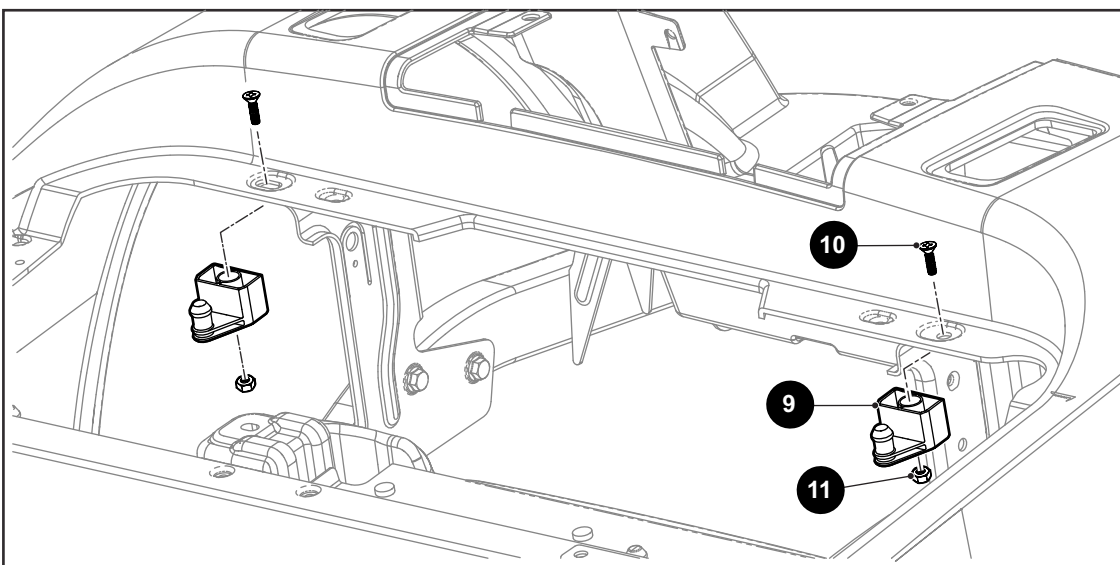
When ordering parts, please specify the model and serial number of the product.

\* Indicates a component that is not available as an individual part.

\*\*\* Indicates consult Customer Service Department for additional information.

ITEM	PART NO.	1 2 3 4 5	DESCRIPTION	QTY.
1	609308		Message Holder (Single).....	1
2	617613		Message Holder (Double).....	1
3	697249		Message Holder (Mounted on Windshield).....	1
4	14735G1		Rake Assembly (For Fleet & Freedom Only) (Includes Items 5 - 8).....	1
5	14736G2		Rake Handle.....	1
6	14737G1		Rake.....	1
7	14934G1		Spacer.....	1
8	00130G8		Round Head Phillips Wood Screw, #10 - 13 x 1" Lg.....	1

- 1** Under Seat Bag Kit (Standard Single) includes items 5, 12 - 15
- 2** Under Seat Bag Kit (Custom Single) includes items 6, 12 - 15
- 3** Under Seat Bag Kit (Standard Twin) includes items 7, 12 - 15
- 4** Under Seat Bag Kit (Custom Twin) includes items 8, 12 - 15
- 5** Under Seat Bag Kit (Standard Single) includes items 9 - 11
- 6** Under Seat Bag Kit (Custom Single) includes items 9 - 11
- 7** Under Seat Bag Kit (Standard Twin) includes items 9 - 11
- 8** Under Seat Bag Kit (Custom Twin) includes items 9 - 11



THE USE OF NON U.L. PARTS WILL VOID ANY U.L. LISTING.

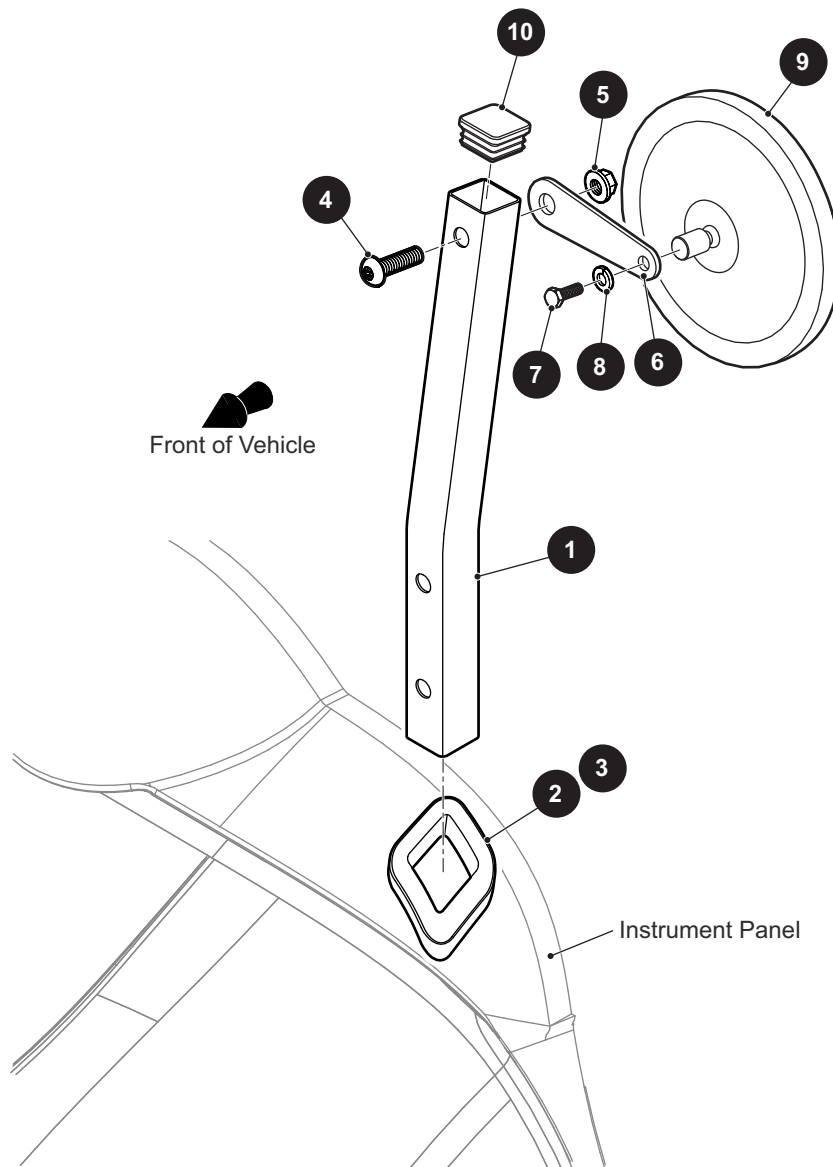
When ordering parts, please specify the model and serial number of the product.

\* Indicates a component that is not available as an individual part.

\*\*\* Indicates consult Customer Service Department for additional information.

ITEM	PART NO.	1 2 3 4 5	DESCRIPTION	QTY.
1	10023099		Under Seat Bag Kit (Standard Single) (Includes Items 5, 12 - 15).....	1
2	10024734		Under Seat Bag Kit (Custom Single) (Includes Items 6, 12 - 15).....	1
3	10024735		Under Seat Bag Kit (Standard Twin) (Includes Items 7, 12 - 15) .....	1
4	10024736		Under Seat Bag Kit (Custom Twin) (Includes Items 8, 12 - 15) .....	1
5	10023118		Under Seat Bag Kit (Standard Single) (Includes Items 9 - 11) .....	1
6	10024533		Under Seat Bag Kit (Custom Single) (Includes Items 9 - 11).....	1
7	10024732		Under Seat Bag Kit (Standard Twin) (Includes Items 9 - 11) .....	1
8	10024733		Under Seat Bag Kit (Custom Twin) (Includes Items 9 - 11) .....	1
9	*		Bag Lug.....	2
10	*		Torx Bolt, M8 .....	2
11	*		Lock Nut, M8.....	2
12	604115		Grommet.....	6
13	649804		Button Head Torx Screw, M8 - 3.5 x 30mm Lg .....	4
14	10022995		Bag Support Bracket .....	1
15	10024646		Bag Support Twin Bracket.....	1

FOR FREEDOM AND SHUTTLE 2+2 ONLY





THE USE OF NON U.L. PARTS WILL VOID ANY U.L. LISTING.

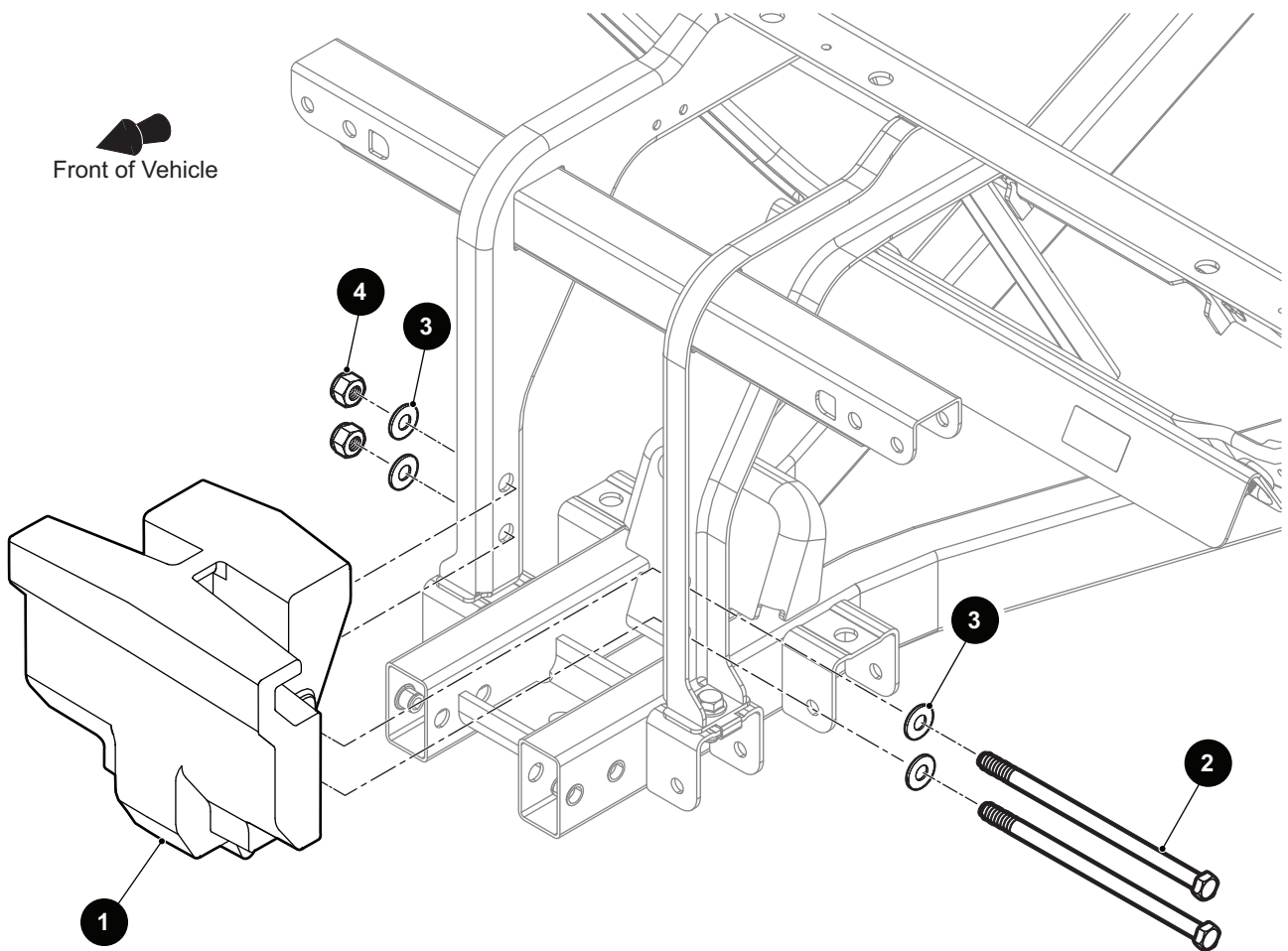
When ordering parts, please specify the model and serial number of the product.

\* Indicates a component that is not available as an individual part.

\*\*\* Indicates consult Customer Service Department for additional information.

ITEM	PART NO.	1 2 3 4 5	DESCRIPTION	QTY.
1	648473		Strut .....	1
2	602770		Strut Grommet (Driver Side) .....	1
3	602992		Strut Grommet (Passenger Side).....	1
4	600527		Button Head Torx Bolt, M10 - 1.5 x 60mm Lg, Grade 8.8 .....	1
5	600525		Flanged Lock Nut, M10 - 1.5.....	1
6	648528		Mirror Bracket.....	1
7	*		Hex Head Bolt, 1/4" - 20 x 5/8" Lg .....	1
8	*		Lock Washer, 1/4" .....	1
9	74202G01		Round Mirror .....	1
10	620634		End Cap .....	1

FOR SHUTTLE 2+2 ONLY



THE USE OF NON U.L. PARTS WILL VOID ANY U.L. LISTING.

When ordering parts, please specify the model and serial number of the product.

\* Indicates a component that is not available as an individual part.

\*\*\* Indicates consult Customer Service Department for additional information.

ITEM	PART NO.	1 2 3 4 5 DESCRIPTION	QTY.
1	10016135	Front Weight.....	3
2	659289	Hex Head Bolt, 1/2" - 13 x 7 1/2" Lg .....	2
3	00560G3	Flat Washer, 1/2" .....	4
4	14390G6	Lock Nut, 1/2" - 13 .....	2

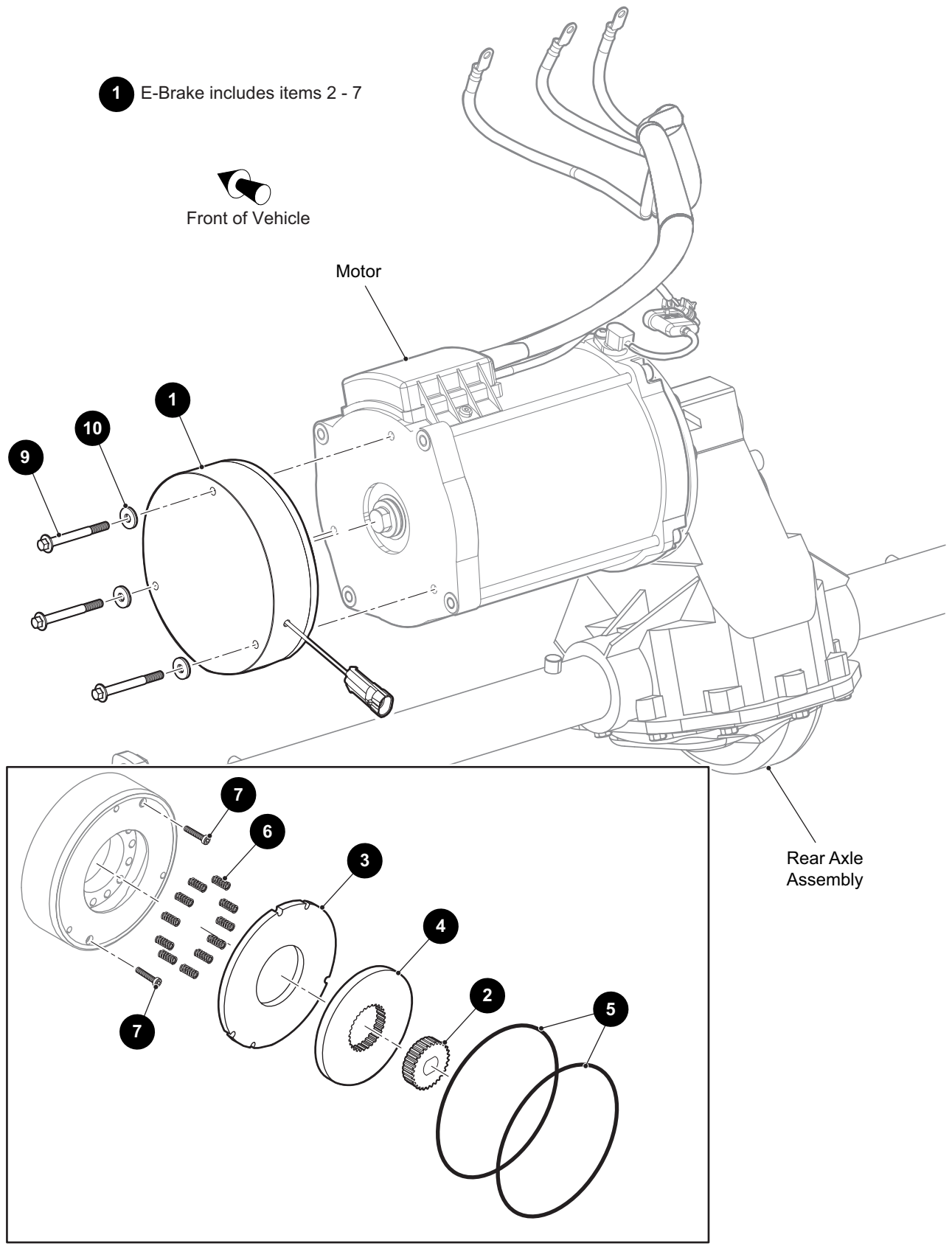
# BRAKES

1 E-Brake includes items 2 - 7

Front of Vehicle

Motor

Rear Axle Assembly



THE USE OF NON U.L. PARTS WILL VOID ANY U.L. LISTING.

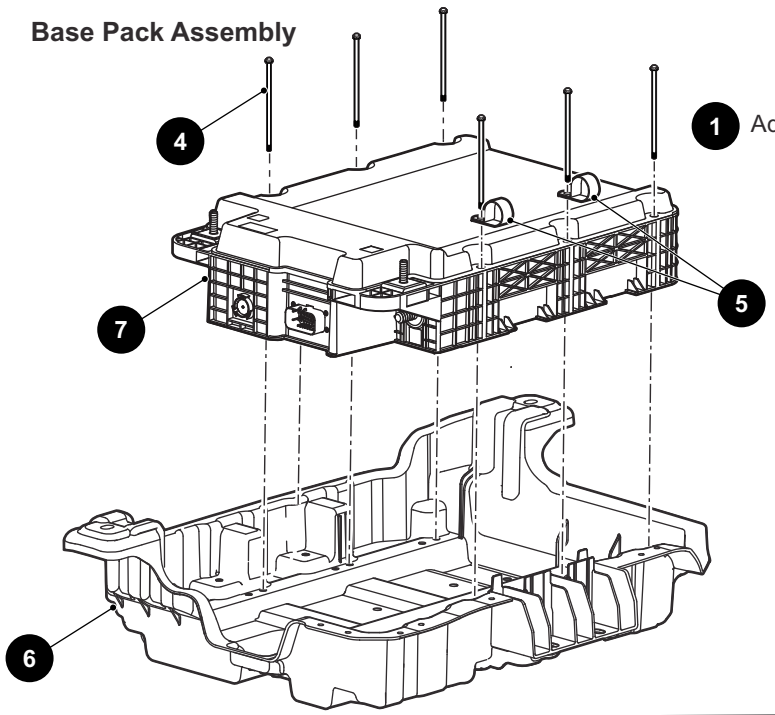
When ordering parts, please specify the model and serial number of the product.

\* Indicates a component that is not available as an individual part.

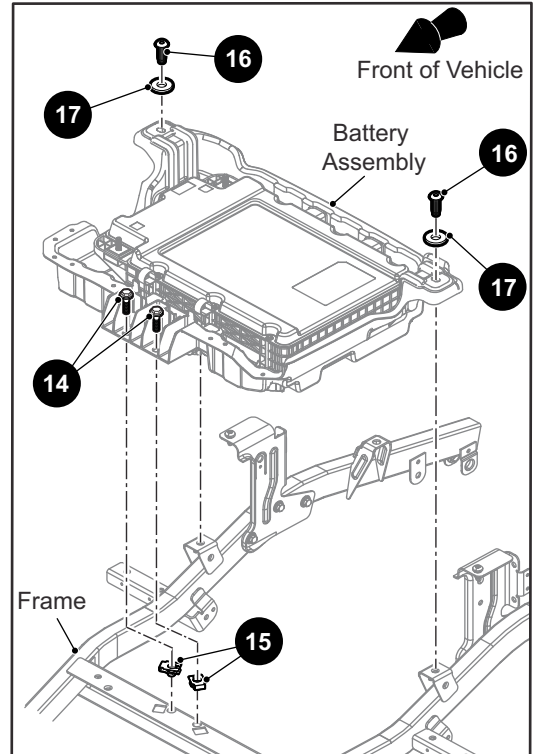
\*\*\* Indicates consult Customer Service Department for additional information.

ITEM	PART NO.	1 2 3 4 5	DESCRIPTION	QTY.
1	10015818		E-Brake (Includes Items 2 - 7) .....	1
2	628548		Center Hub .....	1
3	629569		Armature Plate.....	1
4	628549		Friction Disc.....	1
5	628550		O-Ring .....	2
6	628556		Spring .....	11
7	10024109		Low Head Cap Screw (SS), M5 - .8 x 25mm Lg.....	2
8				
9	73715G01		Flanged Hex Head Bolt, M6 - 1 x 60mm Lg, Grade 8.8.....	3
10	00915G1		Bonded Seal Washer, 1/4" .....	3

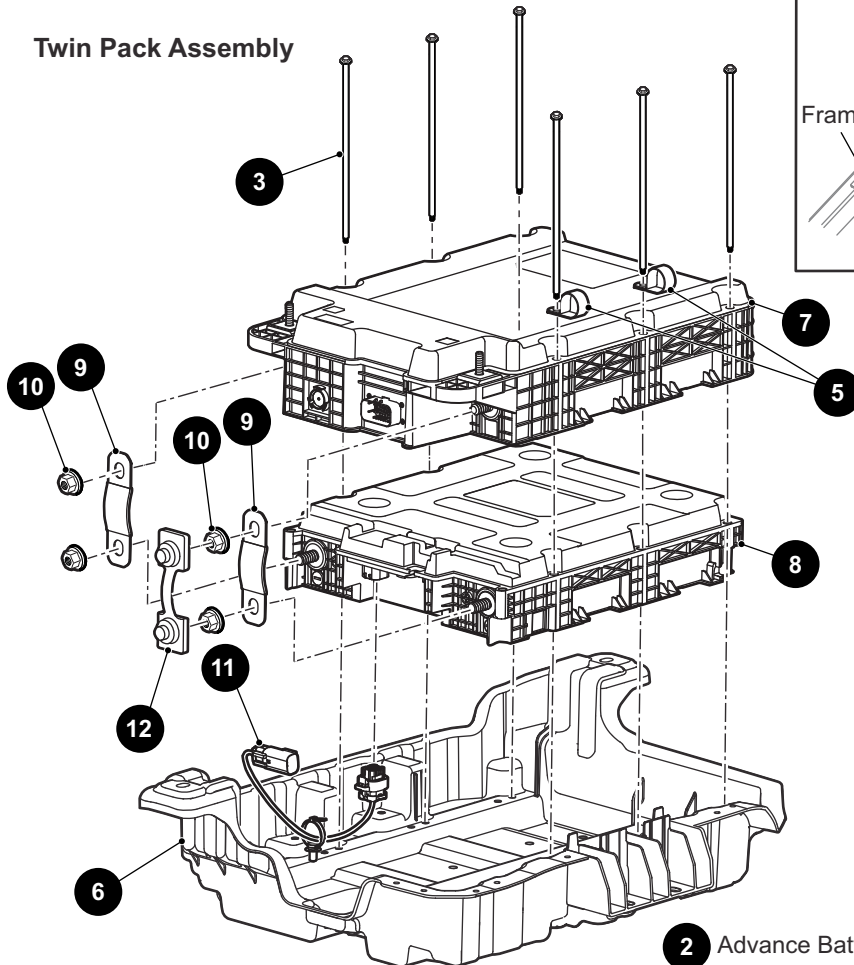
## Base Pack Assembly



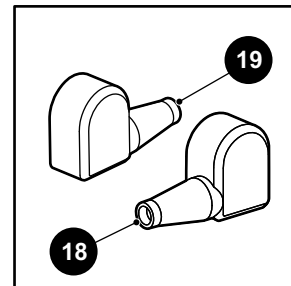
1 Advance Battery Base Assembly includes items 4 - 7



## Twin Pack Assembly



2 Advance Battery Twin Assembly includes items 3, 5 - 12



THE USE OF NON U.L. PARTS WILL VOID ANY U.L. LISTING.

When ordering parts, please specify the model and serial number of the product.

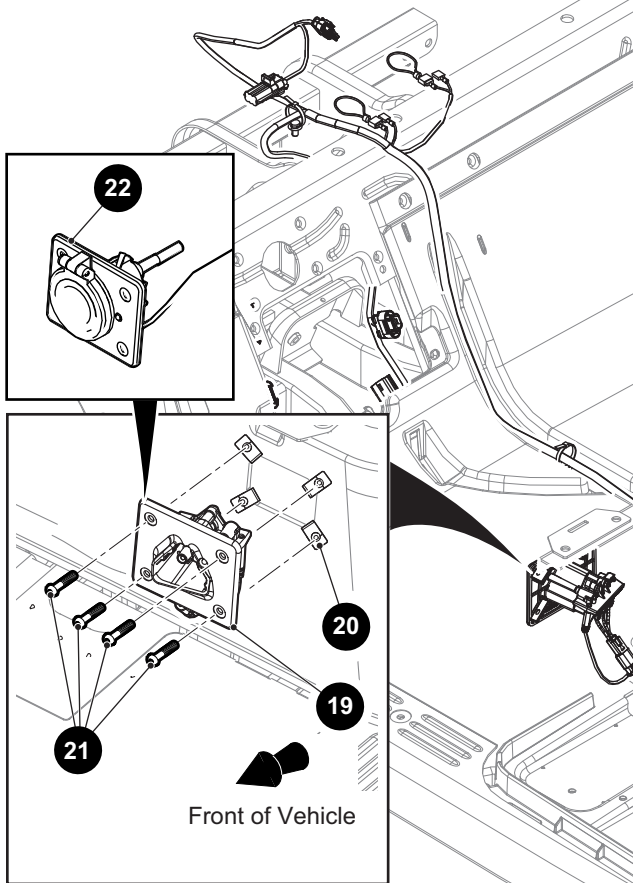
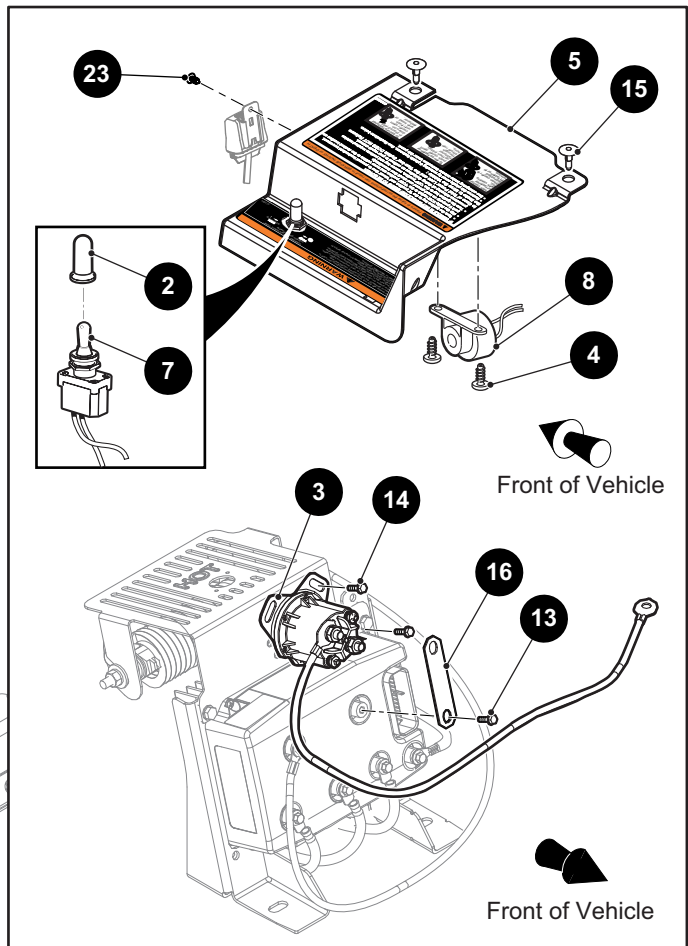
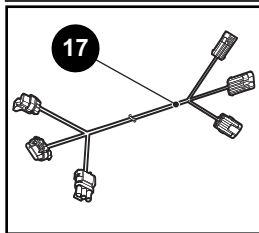
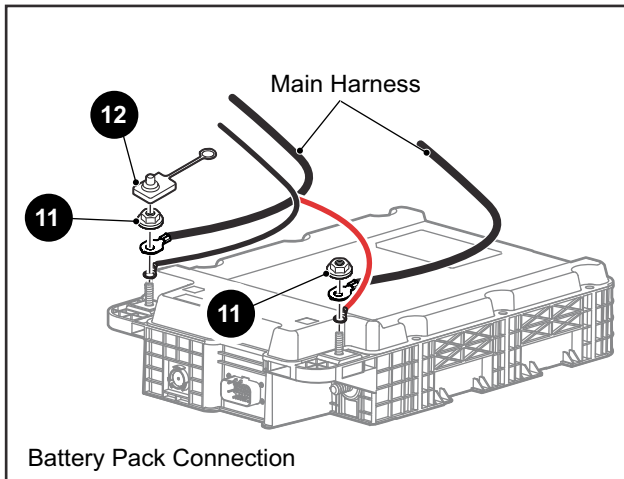
\* Indicates a component that is not available as an individual part.

\*\*\* Indicates consult Customer Service Department for additional information.

ITEM	PART NO.	1 2 3 4 5	DESCRIPTION	QTY.
1	10002947G01		Advance Battery Base Assembly (Includes Items 4 - 7) .....	1
2	10002947G02		Advance Battery Twin Assembly (Includes Items 3, 5 - 12) .....	1
3	697862G01		Flanged Hex Head Bolt, M6 - 2.14 x 200mm Lg .....	6
4	697862G02		Flanged Hex Head Bolt, M6 - 2.14 x 113mm Lg.....	6
5	*		Clamp .....	2
6	694140		Battery Tray .....	1
7	695788		Composite Module.....	1
8	695787		Cell Module.....	1
9	697427		Bus Bar .....	2
10	697858		Conical Hex Nut, M12 - 1.75 .....	4
11	10002820		Twin Communication Harness .....	1
12	10005220		Terminal Boot.....	1
13				
14	603799		Flanged Hex Head Bolt, M10 - 1.5 x 25mm Lg, Grade 8.8 .....	2
15	603818		Barrel Clip, M10 - 1.5 .....	2
16	10003544		Pan Head Tapping Bolt, M10 - 1.5 x 40mm Lg, Grade 8.8 .....	2
17	604066		Flat Washer, M10 .....	2
18	606042		Battery Terminal Cover, L.H. (For CE Vehicles) .....	3
19	606947		Battery Terminal Cover, R.H. (For CE Vehicles) .....	4

**1** Electrical Harness Assembly With HD Solenoid includes items 2 - 10

**6** Main Harness includes items 7 - 10





THE USE OF NON U.L. PARTS WILL VOID ANY U.L. LISTING.

When ordering parts, please specify the model and serial number of the product.

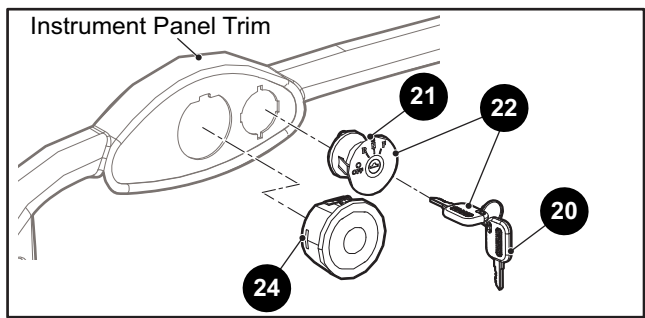
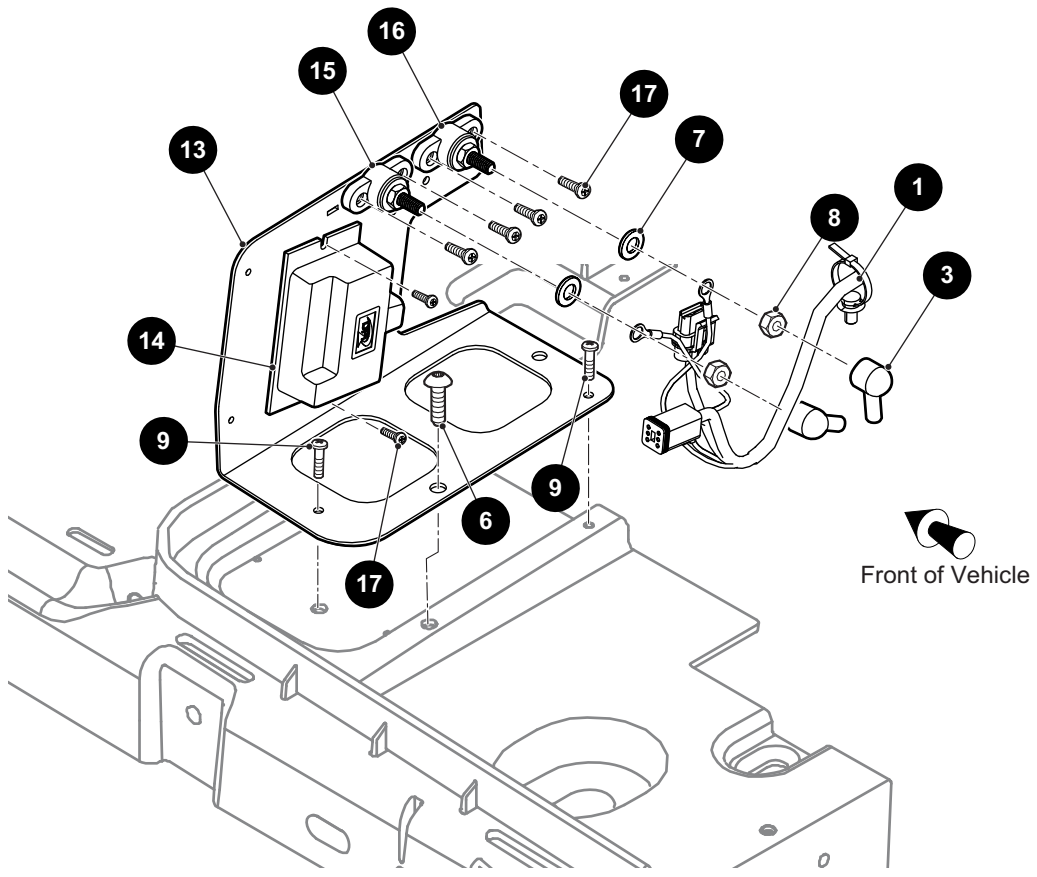
\* Indicates a component that is not available as an individual part.

\*\*\* Indicates consult Customer Service Department for additional information.

ITEM	PART NO.	1 2 3 4 5	DESCRIPTION	QTY.
1	10043589		Main Harness Assembly (Includes Items 2 - 10).....	1
2	655019		Rubber Boot (Row/tow Switch).....	1
3	649369		Solenoid, 48V .....	1
4	01051G01		Pan Head Phillips Screw, #8 - 16 x 1/2" Lg .....	2
5	612423		Controller Splash Shield Assembly.....	1
6	10043590		Main Harness (Includes Items 7 - 10).....	1
7	620765G01		Run/tow Switch .....	1
8	620764G02		Reverse Warning Buzzer .....	1
9	609686G01		Bi-metal Switch .....	1
10	636455G17		Fuse (Mini), 58V, 2A (Not Illustrated) .....	1
11	659134		Conical Hex Nut, M8 - 1.25 .....	2
12	10005219		Terminal Boot .....	1
13	73876G01		Flanged Hex Head Bolt, M6 - 1 x 12mm Lg, Grade 8.8 .....	1
14	71102G02		Hex Washer Head Bolt, 1/4" - 20 x 1/2" Lg, Grade 5 .....	2
15	610487		Removable Rivet, .256" .....	3
16	619047		Bus Bar .....	1
17	677030		Tow Harness .....	1
18	00614-G4		Pan Head Phillips Self Drilling Screw, #8 - 18 x 1/2" Lg .....	1
19	651410		Charger Receptacle .....	1
20	*		Barrel Clip, M6 - 1 .....	4
21	601326		Button Head Torx Bolt, M6 - 1 x 20mm Lg, Grade 8.8 .....	4
22	673527		Charger Receptacle (For On-Board Charger).....	1
23	16816G5		Ratchet Rivet, .187" x .550" Lg (For Freedom and Shuttle 2+2).....	1

## FOR FLEET ONLY

**12** DC - DC Converter Assembly includes items 13 - 17



THE USE OF NON U.L. PARTS WILL VOID ANY U.L. LISTING.

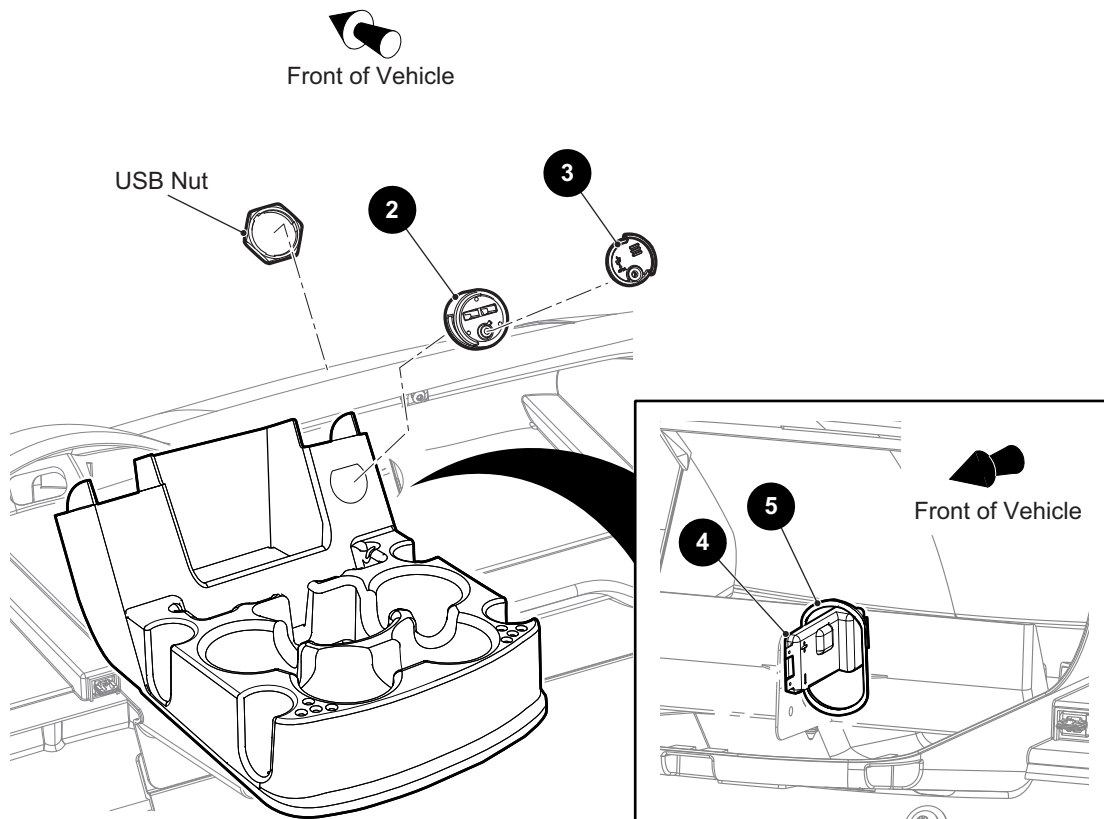
When ordering parts, please specify the model and serial number of the product.

\* Indicates a component that is not available as an individual part.

\*\*\* Indicates consult Customer Service Department for additional information.

ITEM	PART NO.	1 2 3 4 5	DESCRIPTION	QTY.
1	608182		DC-DC Converter Harness .....	1
2				
3	25682G01		Terminal Boot .....	2
4				
5				
6	649804		Button Head Torx Screw, M8 - 3.5 x 30mm Lg.....	1
7	00559G8		Flat Washer, 5/16" .....	2
8	00702G2		Hex Nut, 5/16" - 18.....	2
9	608290		Self Tapping Screw, #10 - 16 x 3/4" Lg .....	2
10	31539G1		Nylon Clamp, 15.5" Lg (Not Illustrated).....	4
11				
12	698914		DC-DC Converter Assembly (Includes Items 13 - 17).....	1
13	695817		Bracket .....	1
14	10000543		DC-DC Converter .....	1
15	662824G02		Terminal Stud (Black) .....	1
16	662824G01		Terminal Stud (Red).....	1
17	632372		Tapping Screw, #10 - 32 x 3/4" Lg .....	6
18				
19				
20	611282		Common Keypad.....	1
21	653072		Key Switch .....	1
22	655131		Key Switch and Key Set Assembly .....	1
23				
24	612314		State of Charge Meter .....	1

**1** USB Port Housing Assembly includes items 2 - 3



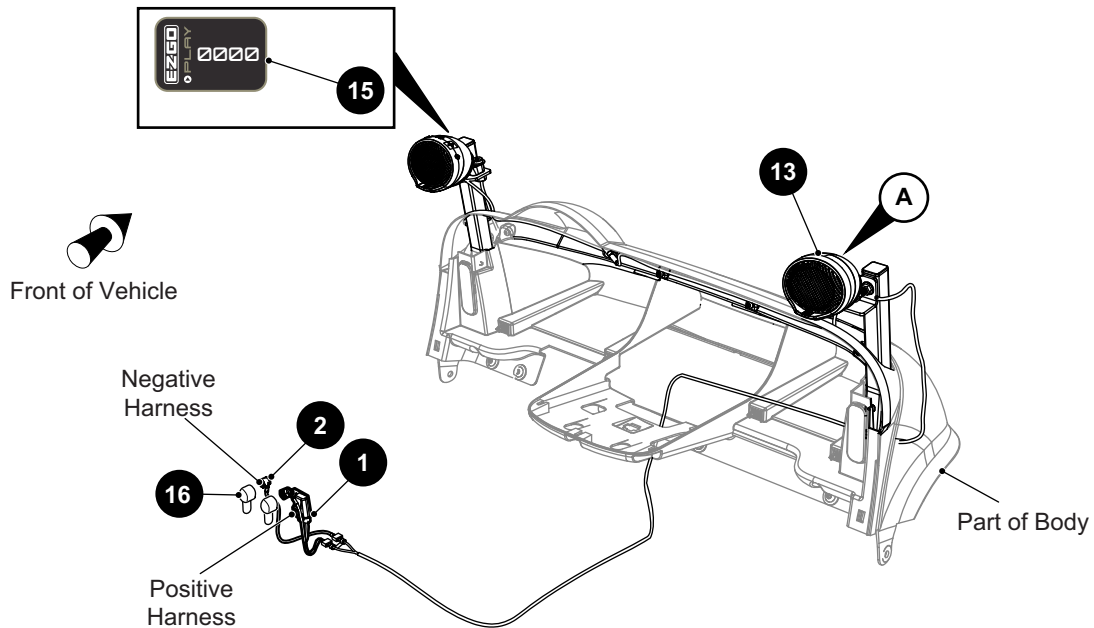
THE USE OF NON U.L. PARTS WILL VOID ANY U.L. LISTING.

When ordering parts, please specify the model and serial number of the product.

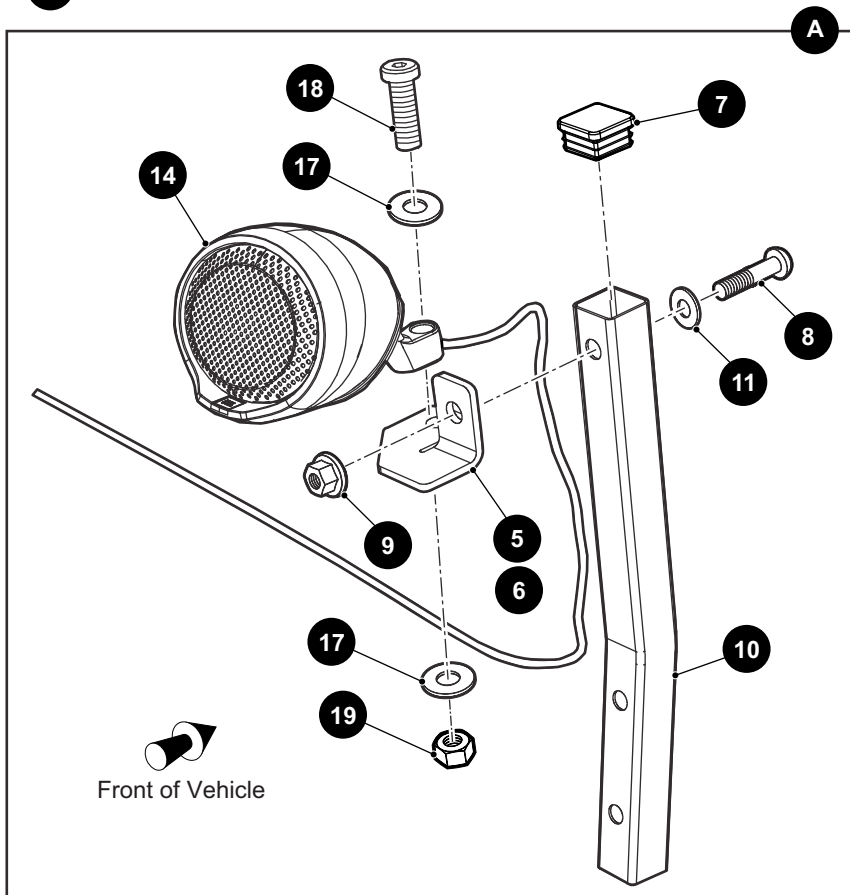
\* Indicates a component that is not available as an individual part.

\*\*\* Indicates consult Customer Service Department for additional information.

ITEM	PART NO.	1 2 3 4 5	DESCRIPTION	QTY.
1	639384		USB Port Housing Assembly (Includes Items 2 - 3).....	1
2	639383		USB Port Housing .....	1
3	639382		USB Port Lid .....	1
4	10001356		USB Electronics .....	1
5	17618G1		Nylon Clamp, 7" Lg .....	2



- 3** Speaker Assembly Mounting, Driver Side includes items 5, 7 - 11
- 4** Speaker Assembly Mounting, Passenger Side includes items 6 - 11
- 12** Bluetooth Speakers Assembly includes items 13 - 15



THE USE OF NON U.L. PARTS WILL VOID ANY U.L. LISTING.

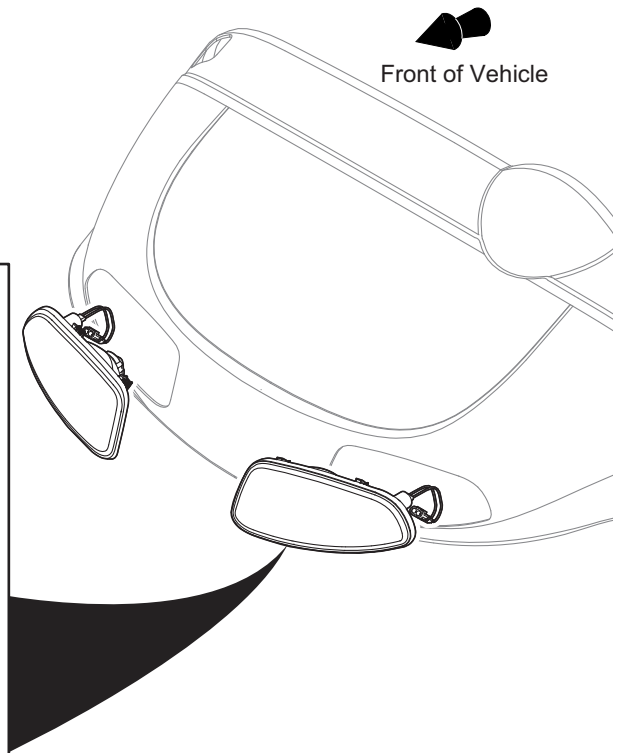
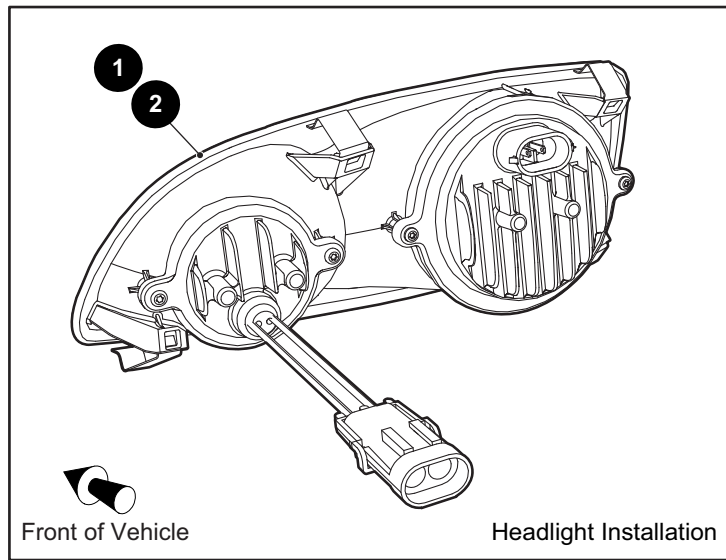
When ordering parts, please specify the model and serial number of the product.

\* Indicates a component that is not available as an individual part.

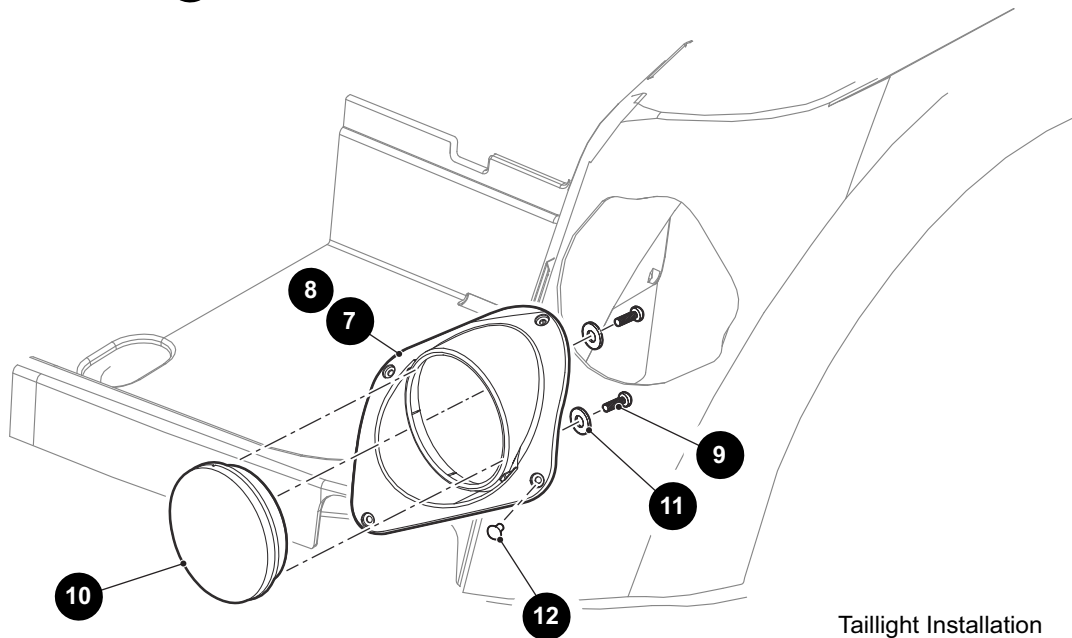
\*\*\* Indicates consult Customer Service Department for additional information.

ITEM	PART NO.	1 2 3 4 5	DESCRIPTION	QTY.
1	697532		Speaker Harness (Positive) .....	1
2	697533		Speaker Harness (Negative).....	1
3	697232		Speaker Assembly Mounting, Driver Side (Includes Items 5, 7 - 11) .....	1
4	697231		Speaker Assembly Mounting, Passenger Side (Includes Items 6 - 11).....	1
5	690335G01		Speaker Bracket, L.H. ....	1
6	690335G02		Speaker Bracket, R.H.....	1
7	620634		End Cap.....	1
8	600527		Button Head Torx Bolt, M10 - 1.5 x 60mm Lg, Grade 8.8.....	1
9	600525		Flanged Lock Nut, M10 - 1.5 .....	1
10	648473		Front Mirror Mount Strut .....	1
11	603823		Flat Washer .....	1
12	692171		Bluetooth Speakers Assembly (Includes Items 13 - 15).....	1
13	690350		Bluetooth Speaker (Parent) .....	1
14	692906		Bluetooth Speaker (Child) .....	1
15	692795		Bluetooth Speaker Decal.....	1
16	840177		Terminal Boot .....	2
17	00560G2		Flat Washer, 1/2" - 13.....	2
18	00463G11		Socket Head Cap Screw, 1/2" -13 x 1 1/2" Lg.....	1
19	00734G1		Lock Nut, 1/2" - 13 .....	1
20	17618G1		Nylon Clamp, 8" Lg (Not Illustrated).....	1
21	664524G01		GPS Harness (Not Illustrated).....	1

FOR FREEDOM AND SHUTTLE 2+2 ONLY



- 5 LED Taillight Assembly (Driver Side) includes items 7, 9 - 11
- 6 LED Taillight Assembly (Passenger Side) includes items 8 - 11





THE USE OF NON U.L. PARTS WILL VOID ANY U.L. LISTING.

When ordering parts, please specify the model and serial number of the product.

\* Indicates a component that is not available as an individual part.

\*\*\* Indicates consult Customer Service Department for additional information.

ITEM	PART NO.	1 2 3 4 5	DESCRIPTION	QTY.
1	10030334G01		LED Headlight Assembly (Driver Side) .....	1
2	10030334G02		LED Headlight Assembly (Passenger Side).....	1
3				
4				
5	10030401G01		LED Taillight Assembly (Driver Side) (Includes Items 7, 9 - 11) .....	1
6	10030401G02		LED Taillight Assembly (Passenger Side) (Includes Items 8 - 11) .....	1
7	10027806G01		Taillight Bezel (Driver Side) .....	1
8	10027806G02		Taillight Bezel (Passenger Side).....	1
9	10023082		Button Head Torx Screw (Plastite), M3 - 8.....	3
10	10014910		Round LED Taillight, 4" .....	1
11	10027443		Flat Washer, #4 - 7/16" .....	3
12	10030163		Button Head Torx Screw (Plastite), #10 - 16 x 3/8" Lg .....	8
<b>ITEMS 13 - 52 NOT SHOWN</b>				
13	10008835G07124		GPS Display Unit, 7", Base, 24 Months Lease Duration.....	1
14	10008835G07130		GPS Display Unit, 7", Base, 30 Months Lease Duration.....	1
15	10008835G07136		GPS Display Unit, 7", Base, 36 Months Lease Duration.....	1
16	10008835G07142		GPS Display Unit, 7", Base, 42 Months Lease Duration.....	1
17	10008835G07148		GPS Display Unit, 7", Base, 48 Months Lease Duration.....	1
18	10008835G07154		GPS Display Unit, 7", Base, 54 Months Lease Duration.....	1
19	10008835G07160		GPS Display Unit, 7", Base, 60 Months Lease Duration.....	1
20	10008835G07166		GPS Display Unit, 7", Base, 66 Months Lease Duration.....	1
21	10008835G07172		GPS Display Unit, 7", Base, 72 Months Lease Duration.....	1
22	10008835G07224		GPS Display Unit, 7", Enhanced, 24 Months Lease Duration.....	1
23	10008835G07230		GPS Display Unit, 7", Enhanced, 30 Months Lease Duration.....	1
24	10008835G07236		GPS Display Unit, 7", Enhanced, 36 Months Lease Duration.....	1
25	10008835G07242		GPS Display Unit, 7", Enhanced, 42 Months Lease Duration.....	1
26	10008835G07248		GPS Display Unit, 7", Enhanced, 48 Months Lease Duration.....	1
27	10008835G07254		GPS Display Unit, 7", Enhanced, 54 Months Lease Duration.....	1
28	10008835G07260		GPS Display Unit, 7", Enhanced, 60 Months Lease Duration.....	1
29	10008835G07266		GPS Display Unit, 7", Enhanced, 66 Months Lease Duration.....	1
30	10008835G07272		GPS Display Unit, 7", Enhanced, 72 Months Lease Duration.....	1

# ELECTRICAL

THE USE OF NON U.L. PARTS WILL VOID ANY U.L. LISTING.

When ordering parts, please specify the model and serial number of the product.

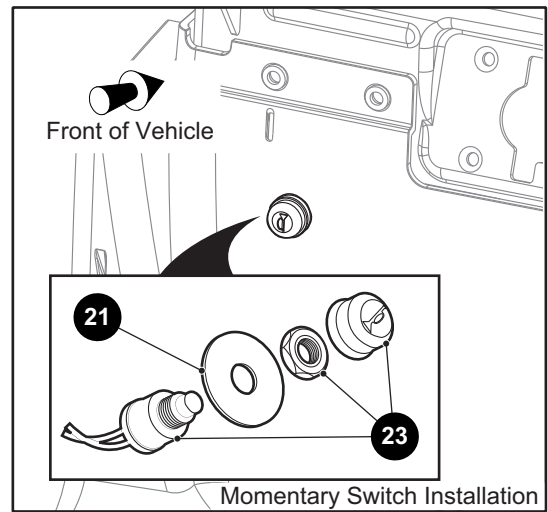
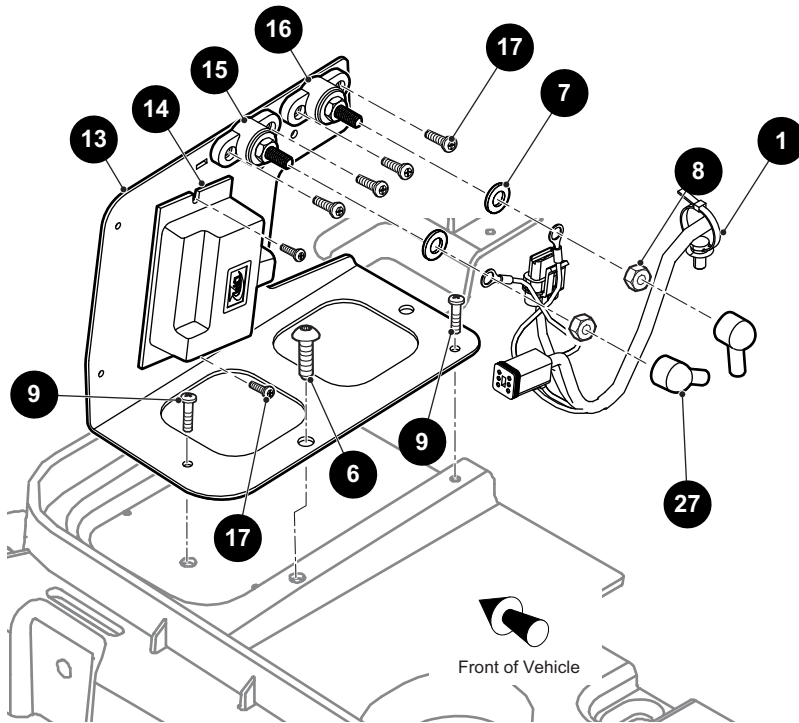
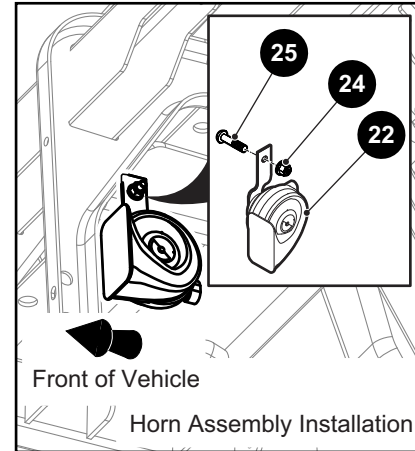
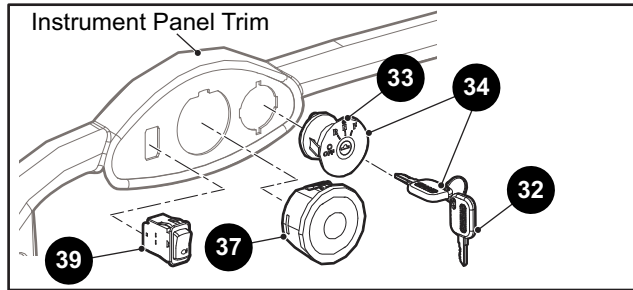
\* Indicates a component that is not available as an individual part.

\*\*\* Indicates consult Customer Service Department for additional information.

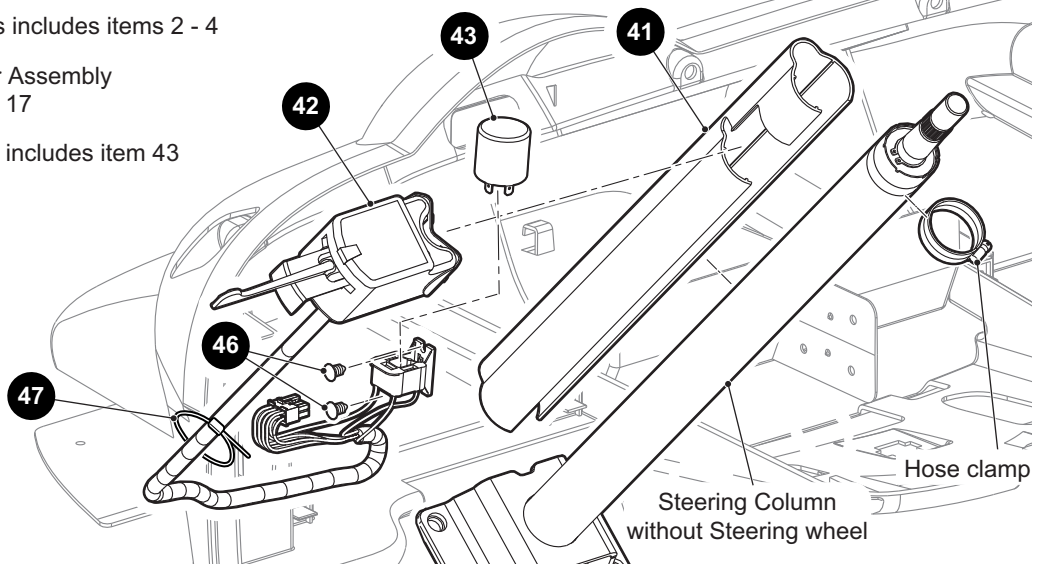
ITEM	PART NO.	1	2	3	4	5	DESCRIPTION	QTY.
31	10008835G10124						GPS Display Unit, 10", Enhanced, 24 Months Lease Duration .....	1
32	10008835G10130						GPS Display Unit, 10", Enhanced, 30 Months Lease Duration .....	1
33	10008835G10136						GPS Display Unit, 10", Enhanced, 36 Months Lease Duration .....	1
34	10008835G10142						GPS Display Unit, 10", Enhanced, 42 Months Lease Duration .....	1
35	10008835G10148						GPS Display Unit, 10", Enhanced, 48 Months Lease Duration .....	1
36	10008835G10154						GPS Display Unit, 10", Enhanced, 54 Months Lease Duration .....	1
37	10008835G10160						GPS Display Unit, 10", Enhanced, 60 Months Lease Duration .....	1
38	10008835G10166						GPS Display Unit, 10", Enhanced, 66 Months Lease Duration .....	1
39	10008835G10172						GPS Display Unit, 10", Enhanced, 72 Months Lease Duration .....	1
40	10008835G10224						GPS Display Unit, 10", Enhanced, 24 Months Lease Duration .....	1
41	10008835G10230						GPS Display Unit, 10", Enhanced, 30 Months Lease Duration .....	1
42	10008835G10236						GPS Display Unit, 10", Enhanced, 36 Months Lease Duration .....	1
43	10008835G10242						GPS Display Unit, 10", Enhanced, 42 Months Lease Duration .....	1
44	10008835G10248						GPS Display Unit, 10", Enhanced, 48 Months Lease Duration .....	1
45	10008835G10254						GPS Display Unit, 10", Enhanced, 54 Months Lease Duration .....	1
46	10008835G10260						GPS Display Unit, 10", Enhanced, 60 Months Lease Duration .....	1
47	10008835G10266						GPS Display Unit, 10", Enhanced, 66 Months Lease Duration .....	1
48	10008835G10272						GPS Display Unit, 10", Enhanced, 72 Months Lease Duration .....	1
49	10008835G07SC						GPS Display Unit, 7", Consumer Standard (For Freedom and Shuttle 2+2)...	1
50	10008835G07PC						GPS Display Unit, 7", Consumer Premium (For Freedom and Shuttle 2+2)...	1
51	10008835G10SC						GPS Display Unit, 10", Consumer Standard (For Freedom and Shuttle 2+2).	1
52	10008835G10PC						GPS Display Unit, 10", Consumer Premium (For Freedom and Shuttle 2+2).	1



## FOR FREEDOM AND SHUTTLE 2+2 ONLY



- 1 Accessory Harness includes items 2 - 4
- 12 DC - DC Converter Assembly includes items 13 - 17
- 42 Turn Signal Switch includes item 43



THE USE OF NON U.L. PARTS WILL VOID ANY U.L. LISTING.

When ordering parts, please specify the model and serial number of the product.

\* Indicates a component that is not available as an individual part.

\*\*\* Indicates consult Customer Service Department for additional information.

ITEM	PART NO.	1 2 3 4 5	DESCRIPTION	QTY.
1	10046150		Accessory Harness (Includes Items 2 - 4) .....	1
2	658741		Relay, 20amp, 24V DC (Not Illustrated).....	1
3	63645G22		Mini Fuse, 10A, 58V DC (Not Illustrated) .....	4
4	628840		Fuse (ATO), 58V, 10A (Not Illustrated) .....	1
5				
6	649804		Button Head Torx Screw, M8 - 3.5 x 30mm Lg.....	1
7	00559G8		Flat Washer, 5/16" .....	2
8	00702G2		Hex Nut, 5/16" - 18.....	2
9	608290		Self Tapping Screw, #10 - 16 x 3/4" Lg .....	2
10				
11				
12	698914		DC-DC Converter Assembly (Includes Items 13 - 17).....	1
13	695817		Bracket .....	1
14	10000543		DC-DC Converter .....	1
15	662824G02		Terminal Stud (Black) .....	1
16	662824G01		Terminal Stud (Red).....	1
17	632372		Tapping Screw, #10 - 32 x 3/4" Lg .....	6
18				
19				
20				
21	608397		Horn Plate .....	1
22	604196		Horn Assembly .....	1
23	17318G1		Momentary Switch.....	1
24	601476		Lock Nut, M6 - 1.....	1
25	601326		Button Head Torx Bolt, M6 - 1 x 20mm Lg, Grade 8.8 .....	1
26				
27	25682G02		Terminal Boot .....	2
28				
29				
30				
31				

# ELECTRICAL

THE USE OF NON U.L. PARTS WILL VOID ANY U.L. LISTING.

When ordering parts, please specify the model and serial number of the product.

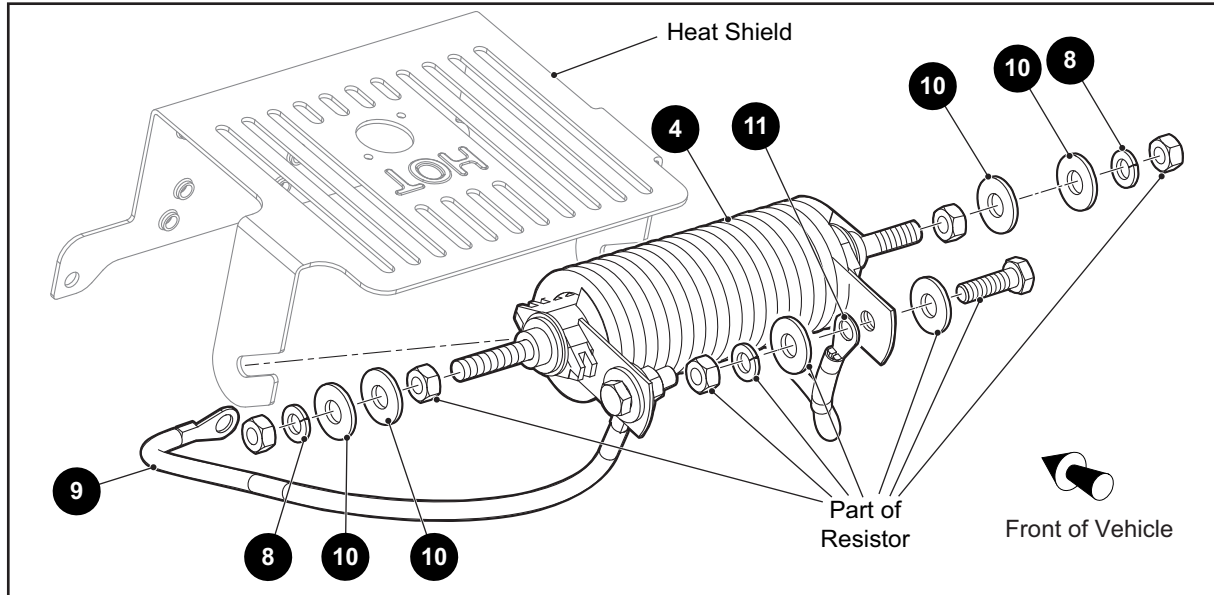
\* Indicates a component that is not available as an individual part.

\*\*\* Indicates consult Customer Service Department for additional information.

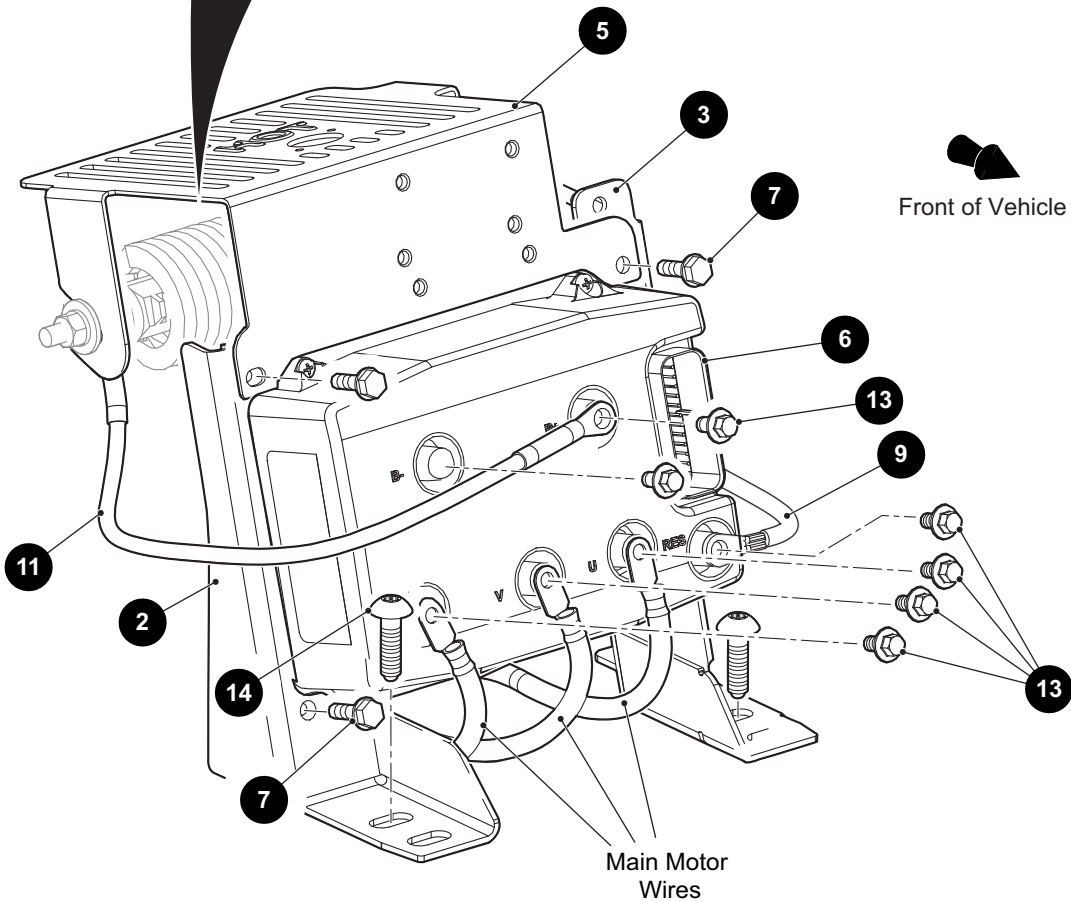
ITEM	PART NO.	1 2 3 4 5	DESCRIPTION	QTY.
32	611282		Common Key Set .....	1
33	653072		Key Switch, R-N-F(4 Position).....	1
34	655131		Key Switch and Key Set Assembly .....	1
35				
36				
37	612314		State of Charge Meter .....	1
38				
39	651897G07		Headlight Switch.....	1
40				
41	20965G3		Steering Column Cover .....	1
42	604511		Turn Signal Switch (Includes Item 43).....	1
43	604367		Flasher Unit.....	1
44	*		Vinyl Tape, 40mm Lg (Not Illustrated).....	1
45				
46	16816G5		Ratchet Rivet, .187" x .550" Lg.....	2
47	31539G1		Nylon Clamp, 15.5" Lg.....	1



# ELECTRONIC SPEED CONTROL



1 Controller Assembly includes items 2 - 11





## ELECTRONIC SPEED CONTROL

THE USE OF NON U.L. PARTS WILL VOID ANY U.L. LISTING.

When ordering parts, please specify the model and serial number of the product.

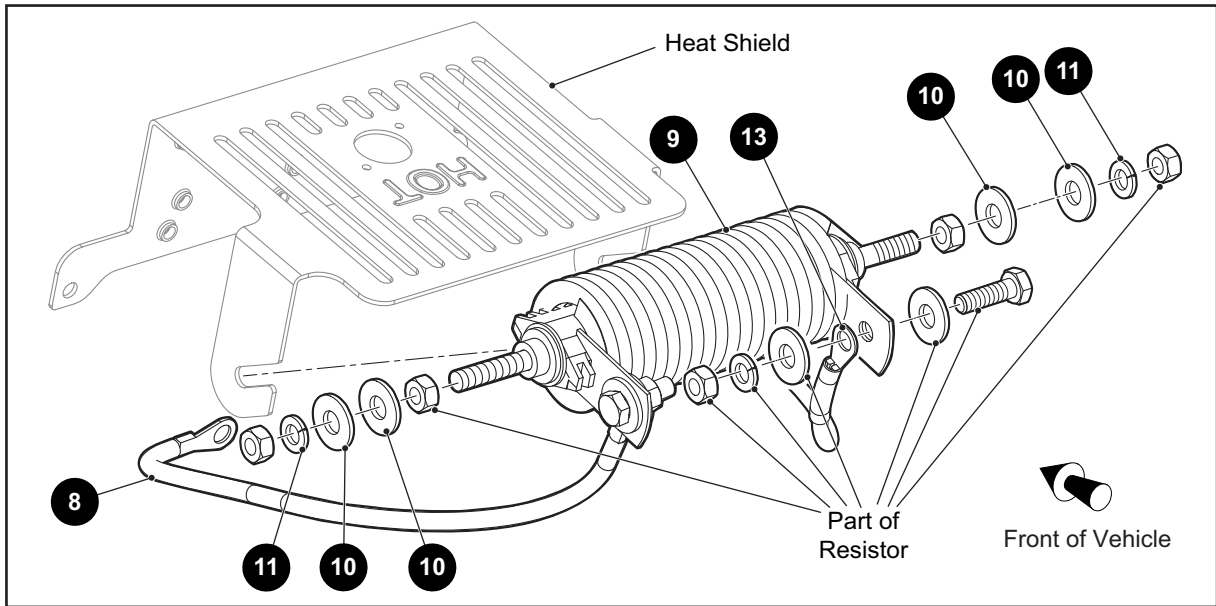
\* Indicates a component that is not available as an individual part.

\*\*\* Indicates consult Customer Service Department for additional information.

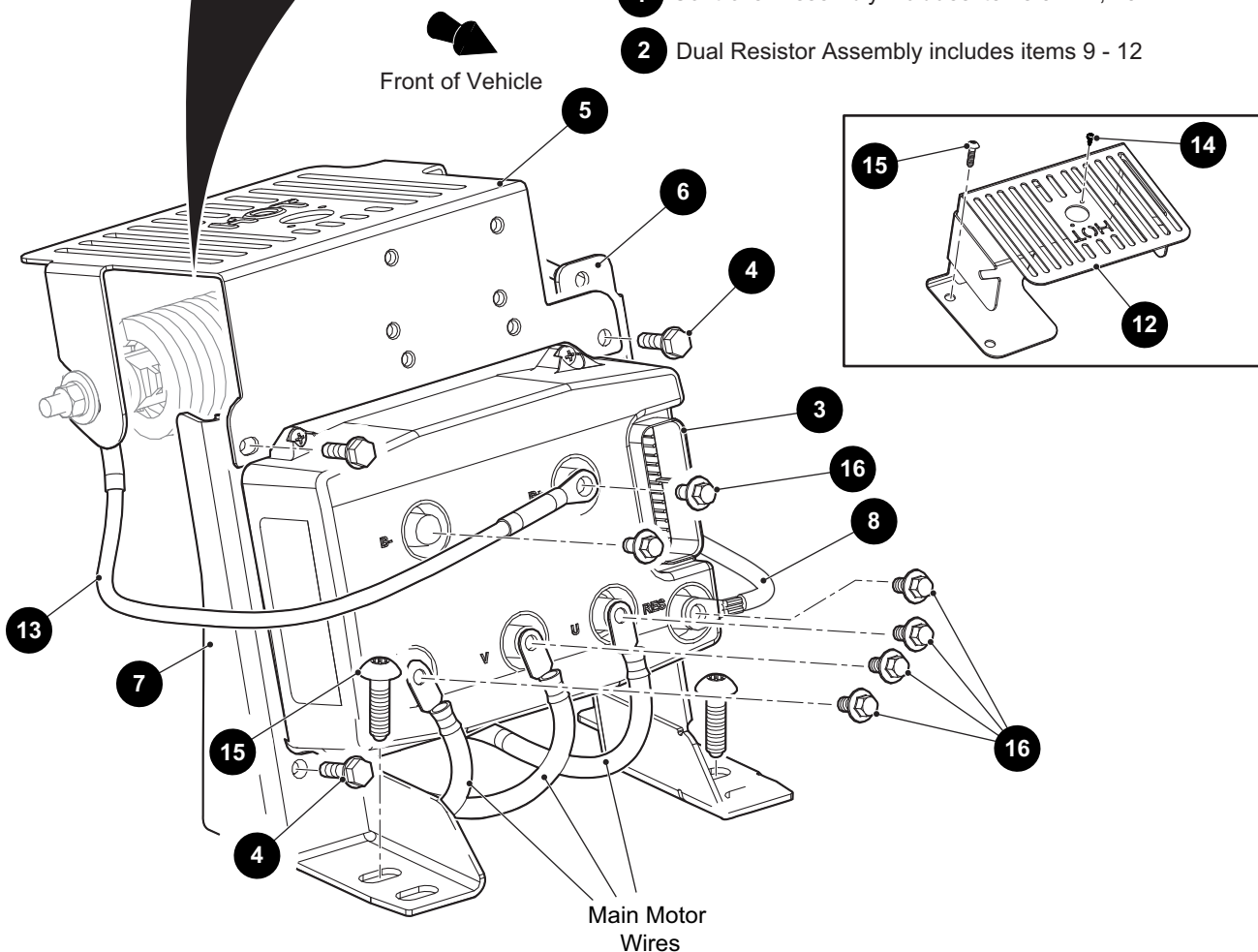
ITEM	PART NO.	1 2 3 4 5	DESCRIPTION	QTY.
1	10004388		Controller Assembly (Includes Items 2 - 11).....	1
2	623213		Controller Bracket (Passenger Side).....	1
3	623170		Controller Bracket (Driver Side).....	1
4	619001		Resistor, .86 Ohm Rating .....	1
5	645964		Heat Shield .....	1
6	10004989		Blank Controller .....	1
7	606264		Flanged Hex Head Bolt, M6 - 1 x 20mm Lg, Grade 8.8 .....	4
8	00565G8		Lock Washer, 5/16" .....	2
9	607707		Wire Assembly (White), #10 AWG .....	1
10	00571G2		Flat Washer, 5/16" .....	4
11	624611		Wire Assembly (White), #10 AWG .....	1
12				
13	73876G01		Flanged Hex Head Bolt, M6 - 1 x 12mm Lg, Grade 8.8 .....	6
14	649804		Button Head Torx Screw, M8 - 3.50 x 30mm Lg.....	2

# ELECTRONIC SPEED CONTROL

## FOR VEHICLES WITH DUAL RESISTOR OPTION



- 1 Controller Assembly includes items 3 - 11, 13
- 2 Dual Resistor Assembly includes items 9 - 12



## ELECTRONIC SPEED CONTROL

THE USE OF NON U.L. PARTS WILL VOID ANY U.L. LISTING.

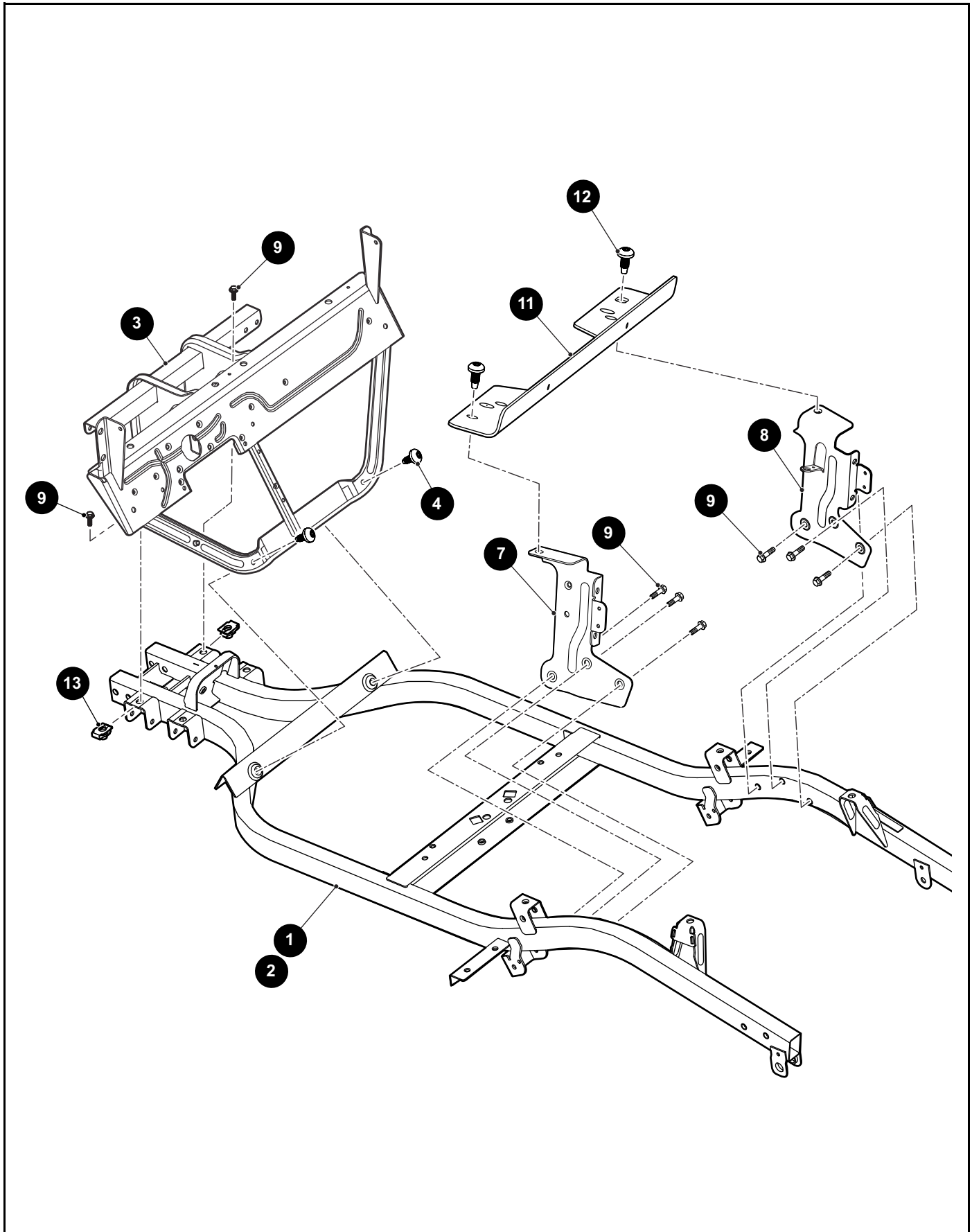
When ordering parts, please specify the model and serial number of the product.

\* Indicates a component that is not available as an individual part.

\*\*\* Indicates consult Customer Service Department for additional information.

ITEM	PART NO.	1 2 3 4 5	DESCRIPTION	QTY.
<b>FOR VEHICLES WITH DUAL RESISTOR OPTION</b>				
1	10004389		Dual Resistor Controller Assembly (Includes Items 3 - 11, 13).....	1
2	685540		Dual Resistor Assembly (Includes Items 9 - 12) .....	1
3	10004989		Blank Controller .....	1
4	606264		Flanged Hex Head Bolt, M6 - 1 x 20mm Lg, Grade 8.8 .....	4
5	645964		Heat Shield .....	1
6	623170		Controller Bracket (Driver Side).....	1
7	623213		Controller Bracket (Passenger Side).....	1
8	683048		Dual Resistor Harness.....	1
9	607701		Resistor, .42 Ohm Rating .....	1
10	00571G2		Flat Washer, 5/16" .....	4
11	00565G8		Lock Washer, 5/16" .....	2
12	683801		Resistor Bracket .....	1
13	624611		Wire Assembly (White), 10 AWG .....	1
14	00614-G4		Pan Head Phillips Self Drilling Screw, #8 - 18 x 1/2" Lg .....	2
15	649804		Button Head Torx Screw, M8 - 3.50 x 30mm Lg.....	4
16	73876G01		Flanged Hex Head Bolt, M6 - 1 x 12mm Lg, Grade 8.8.....	6
17	17618G1		Nylon Clamp, 8" Lg (Not Illustrated).....	2

# FRAME



THE USE OF NON U.L. PARTS WILL VOID ANY U.L. LISTING.

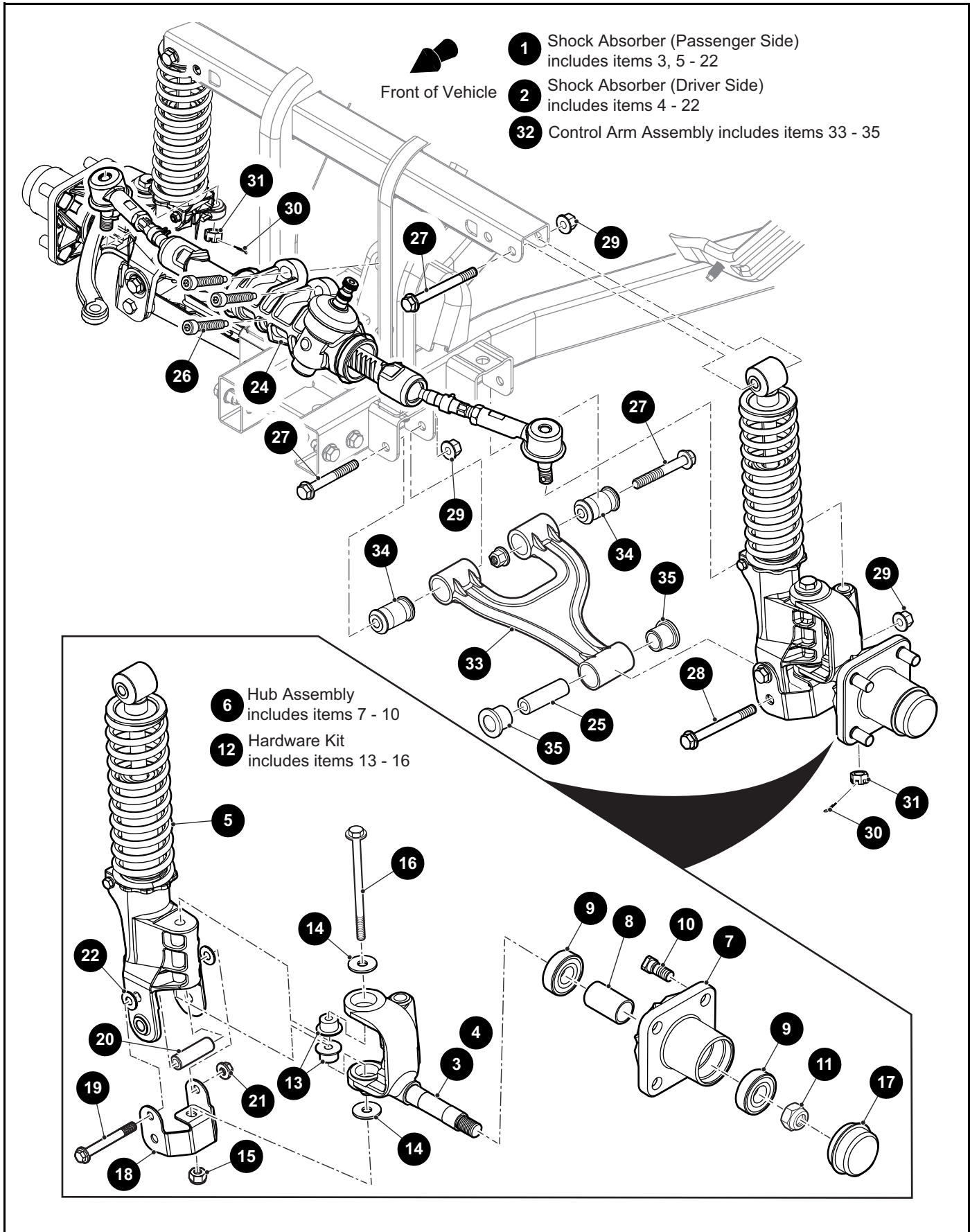
When ordering parts, please specify the model and serial number of the product.

\* Indicates a component that is not available as an individual part.

\*\*\* Indicates consult Customer Service Department for additional information.

ITEM	PART NO.	1 2 3 4 5	DESCRIPTION	QTY.
1	10014468G03		Frame Weldment, E/Coat & P/Coat .....	1
2	10014468G04		Frame Weldment, P/Coat.....	1
3	690541		IP Support Weldment .....	1
4	602572		Pan Head Taptite Bolt, M10 - 1.5 x 25mm Lg, Grade 8.8 .....	2
5				
6				
7	600218		Seat Support Bracket (Driver Side).....	1
8	613187		Seat Support Bracket (Passenger Side).....	1
9	603799		Flanged Hex Head Bolt, M10 - 1.5 x 25mm Lg, Grade 8.8.....	8
10				
11	601275		Seat Support Brace.....	1
12	602572		Pan Head Taptite Bolt, M10 - 1.5 x 25mm Lg, Grade 8.8 .....	2
13	603818		Barrel Clip, M10 - 1.5 .....	2

# FRONT SUSPENSION AND STEERING



## FRONT SUSPENSION AND STEERING

THE USE OF NON U.L. PARTS WILL VOID ANY U.L. LISTING.

When ordering parts, please specify the model and serial number of the product.

\* Indicates a component that is not available as an individual part.

\*\*\* Indicates consult Customer Service Department for additional information.

ITEM	PART NO.	1 2 3 4 5	DESCRIPTION	QTY.
1	10006133G02		Shock Absorber (Passenger Side) (Includes Items 3, 5 - 22) .....	1
2	10006133G01		Shock Absorber (Driver Side) (Includes Items 4 - 22) .....	1
3	10022282G02		Spindle (Passenger Side) .....	1
4	10022282G01		Spindle (Driver Side) .....	1
5	10015699		Strut Assembly .....	1
6	10010785		Hub Assembly (Includes Items 7 - 10) .....	1
7	*		Hub .....	1
8	*		Bearing Spacer, 28mm O.D. x 22mm I.D. x 46.7mm Lg .....	1
9	*		Ball Bearing, 47mm O.D. x 20mm I.D. x 14mm .....	2
10	19862G1		Wheel Bolt, 1/2" - 20 x 1.218" Lg .....	4
11	615109		Lock Nut, M16 - 2 .....	1
12	10022856		Hardware Kit (Includes Items 13 - 16) .....	1
13	699702		King Pin, 25mm .....	2
14	699701		Washer, 30mm O.D x 10.5mm I.D x 2.5mm .....	2
15	616675		Lock Nut, M10 x 1.50 .....	1
16	10006771		Flanged Hex Head Bolt, M10 - 1.5 x 130mm Lg, Grade 8.8 .....	1
17	12091G2		Spindle Cap .....	1
18	10001464		Knuckle Support Bracket .....	1
19	601754		Flanged Hex Head Bolt, M10 - 1.5 x 100mm Lg, Grade 10.9 .....	1
20	10003339		Tube, 18.5 O.D x 10.8 I.D x 59.35mm Lg .....	1
21	*		Flanged Hex Nut, M10 x 1.5 .....	1
22	603823		Flat Washer, M10 x 22mm x 2.5mm .....	2
23				
24	10033613		Steering Rack Assembly .....	1
25	602085		Control Arm Carrier Tube .....	2
26	602020		Socket Head Torx Bolt, M10 - 1.5 x 50mm Lg, Grade 8.8 .....	3
27	602415		Flanged Hex Head Bolt, M10 - 1.5 x 80mm Lg, Grade 12.9 .....	6
28	601754		Flanged Hex Head Bolt, M10 - 1.5 x 100mm Lg, Grade 10.9 .....	2
29	600525		Lock Nut, M10 - 1.5 .....	8
30	10387G2		Cotter Pin, .094" x 1" .....	2
31	608005		Castle Nut (SS), M12 - 1.25 .....	2

# FRONT SUSPENSION AND STEERING

THE USE OF NON U.L. PARTS WILL VOID ANY U.L. LISTING.

When ordering parts, please specify the model and serial number of the product.

\* Indicates a component that is not available as an individual part.

\*\*\* Indicates consult Customer Service Department for additional information.

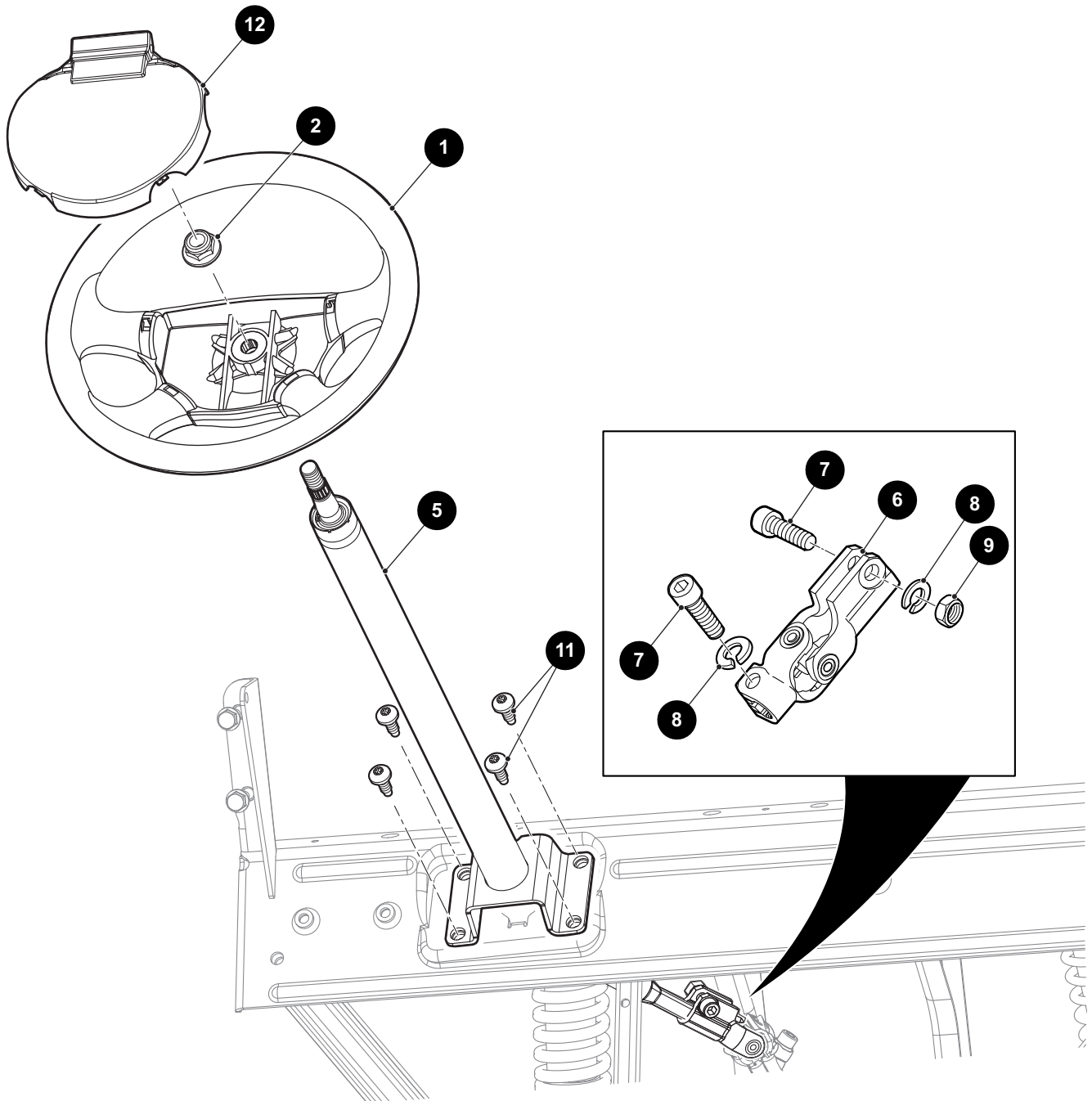
ITEM	PART NO.	1 2 3 4 5	DESCRIPTION	QTY.
32	10005744		Control Arm Assembly (Includes Items 33 - 35) .....	1
33	10007496		Control Arm .....	1
34	10010790		Isolator Sleeve (Rubber) .....	2
35	601340		Bushing .....	2





# FRONT SUSPENSION AND STEERING

4 Steering Column Assembly includes items 5 - 9



## FRONT SUSPENSION AND STEERING

THE USE OF NON U.L. PARTS WILL VOID ANY U.L. LISTING.

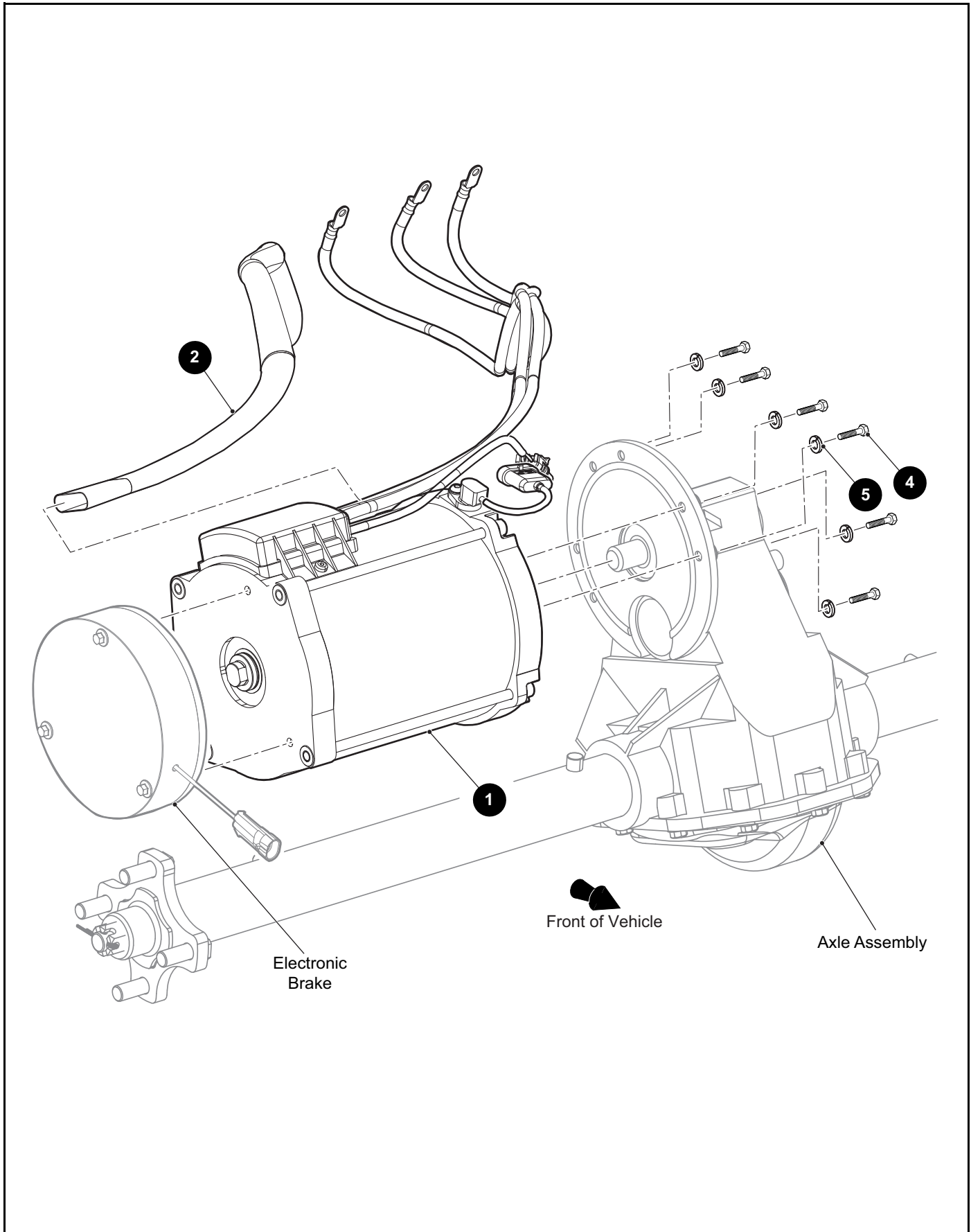
When ordering parts, please specify the model and serial number of the product.

\* Indicates a component that is not available as an individual part.

\*\*\* Indicates consult Customer Service Department for additional information.

ITEM	PART NO.	1 2 3 4 5	DESCRIPTION	QTY.
1	602980		Steering Wheel.....	1
2	601709		Lock Nut, M16 - 2.....	1
3				
4	691365		Steering Column Assembly (Includes Items 5 - 9).....	1
5	691315		Steering Column .....	1
6	608114		Steering Yoke .....	1
7	608653		Socket Head Bolt, M10 - 1.5 x 35mm Lg.....	2
8	608654		Lock Washer, 10.5mm .....	2
9	608655		Hex Nut, M10 - 1.5 .....	1
10				
11	602572		Pan Head Taptite Bolt, M10 - 1.5 x 25mm Lg, Grade 8.8 .....	4
12	607925		Scorecard Holder .....	1

# MOTOR



THE USE OF NON U.L. PARTS WILL VOID ANY U.L. LISTING.

When ordering parts, please specify the model and serial number of the product.

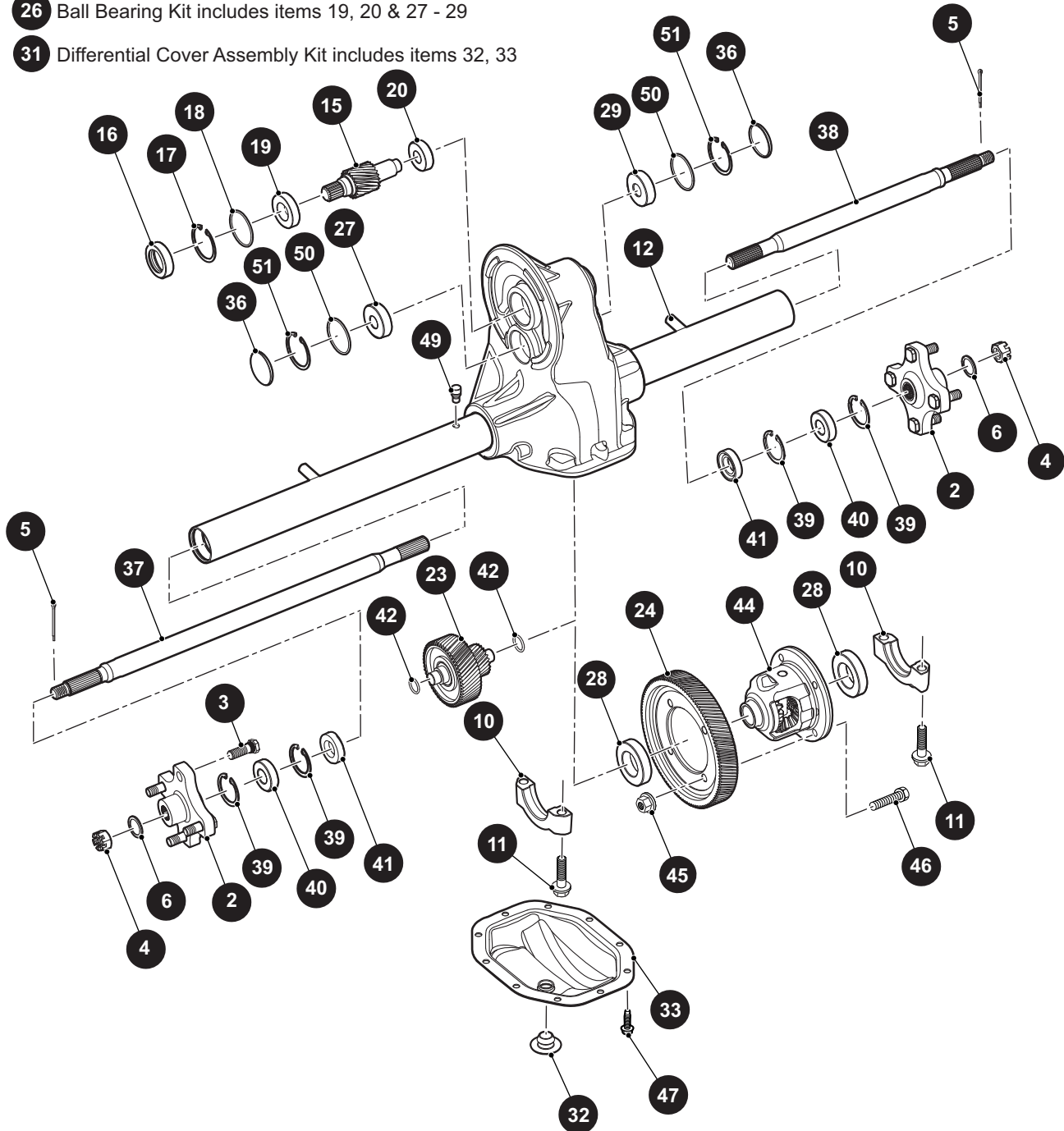
\* Indicates a component that is not available as an individual part.

\*\*\* Indicates consult Customer Service Department for additional information.

ITEM	PART NO.	1 2 3 4 5	DESCRIPTION	QTY.
1	680638		Motor, 48V AC .....	1
2	605714		Flex Loom Sleeve .....	1
3				
4	605741		Hex Head Bolt, M6 - 1 x 25mm Lg .....	6
5	601327		Lock Washer (SS), M6 .....	6
6				
7	32372G6		Vinyl Trim (Not Illustrated).....	1
8	27327G02		Twisted Clamp Clip (Not Illustrated).....	1

# REAR AXLE

- 1** Axle Assembly 16.99:1 includes items 2 - 51
- 9** Axle, 16.99:1 includes items 10 - 51
- 10** Axle Housing includes items 11, 12
- 14** Input Gear Kit includes items 15 - 20
- 22** Internal Gears Kit includes items 15, 23 & 24
- 26** Ball Bearing Kit includes items 19, 20 & 27 - 29
- 31** Differential Cover Assembly Kit includes items 32, 33



THE USE OF NON U.L. PARTS WILL VOID ANY U.L. LISTING.

When ordering parts, please specify the model and serial number of the product.

\* Indicates a component that is not available as an individual part.

\*\*\* Indicates consult Customer Service Department for additional information.

ITEM	PART NO.	1 2 3 4 5	DESCRIPTION	QTY.
1	10029349		Axle Assembly 16.99:1 (Includes Items 2 - 51).....	1
2	604112		Rear Axle Hub .....	2
3	644957		Wheel Bolt .....	8
4	612928		Slotted Hex Nut, 5/8" - 18 .....	2
5	10387G1		Cotter Pin, 5/32" x 1 3/4" Lg .....	2
6	15487G1		Flat Washer (Brake Drum), 1.5" O.D. x .76" I.D.....	2
7				
8				
9	10030506		Axle, 16.99:1 (Includes Items 10 - 51).....	1
10	***		Axle Housing (Includes Items 11, 12).....	1
11	*		Flanged Hex Head Bolt, 3/8" - 16 x 2.12" Lg .....	4
12	618650		Axle Bracket Locating Pin.....	2
13				
14	620329		Input Gear Kit (Includes Items 15 - 20) .....	1
15	620327		Input Gear.....	1
16	620328		Oil Seal .....	1
17	23530G1		Retaining Ring, 2.059" Dia .....	1
18	24628G1		O-Ring Seal, 1.84" I. D. ....	1
19	*		Ball Bearing, .984" I. D x 1.85" O.D.....	1
20	23520G1		Ball Bearing, .669" I. D x 1.97" O. D.....	1
21				
22	620361		Internal Gears Kit (Includes Items 15, 23 & 24) .....	1
23	620349		Intermediate Gear Assembly .....	1
24	620350		Drive Gear .....	1
25				
26	620362		Ball Bearing Kit (Includes Items 19, 20 & 27 - 29) .....	1
27	620340		Ball Bearing .....	1
28	17473G1		Differential Bearing Assembly.....	2
29	620355		Ball Bearing .....	1
30				
31	620363		Differential Cover Assembly Kit (Includes Items 32, 33) .....	1

## REAR AXLE

THE USE OF NON U.L. PARTS WILL VOID ANY U.L. LISTING.

When ordering parts, please specify the model and serial number of the product.

\* Indicates a component that is not available as an individual part.

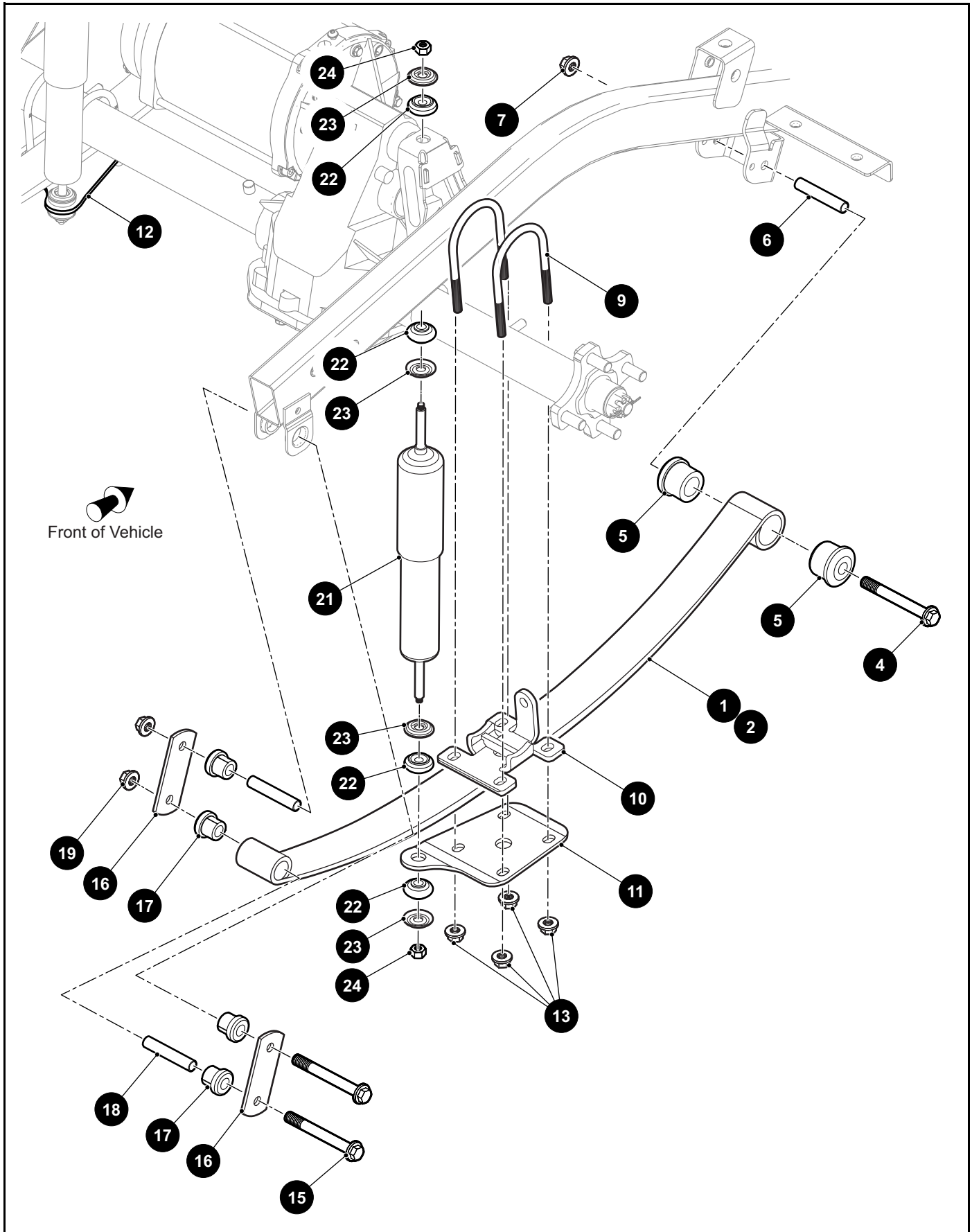
\*\*\* Indicates consult Customer Service Department for additional information.

ITEM	PART NO.	1	2	3	4	5	DESCRIPTION	QTY.
32	620347						Rubber Plug .....	1
33	620348						Differential Cover Plate .....	1
34								
35								
36	608811						End Cap Plug .....	2
37	614208						Axle Shaft, Long (Driver Side).....	1
38	614209						Axle Shaft, Short (Passenger Side).....	1
39	*						Retaining Ring .....	4
40	*						Ball Bearing .....	2
41	*						Oil Seal .....	2
42	620345						O-Ring .....	2
43								
44	614059						Limited Slip Differential Carrier with CC Clutches .....	1
45	601084						Lock Nut, 3/8" - 24 .....	4
46	*						Flanged Hex Head Bolt, 3/8" - 24 x 1 1/4" Lg .....	4
47	620346						Flanged Hex Head Bolt, 5/16" - 18 x 3/4" Lg .....	10
48								
49	620357						Axle Vent .....	1
50	620358						O-Ring .....	2
51	620359						Retaining Ring .....	2





# REAR SUSPENSION



## REAR SUSPENSION

THE USE OF NON U.L. PARTS WILL VOID ANY U.L. LISTING.

When ordering parts, please specify the model and serial number of the product.

\* Indicates a component that is not available as an individual part.

\*\*\* Indicates consult Customer Service Department for additional information.

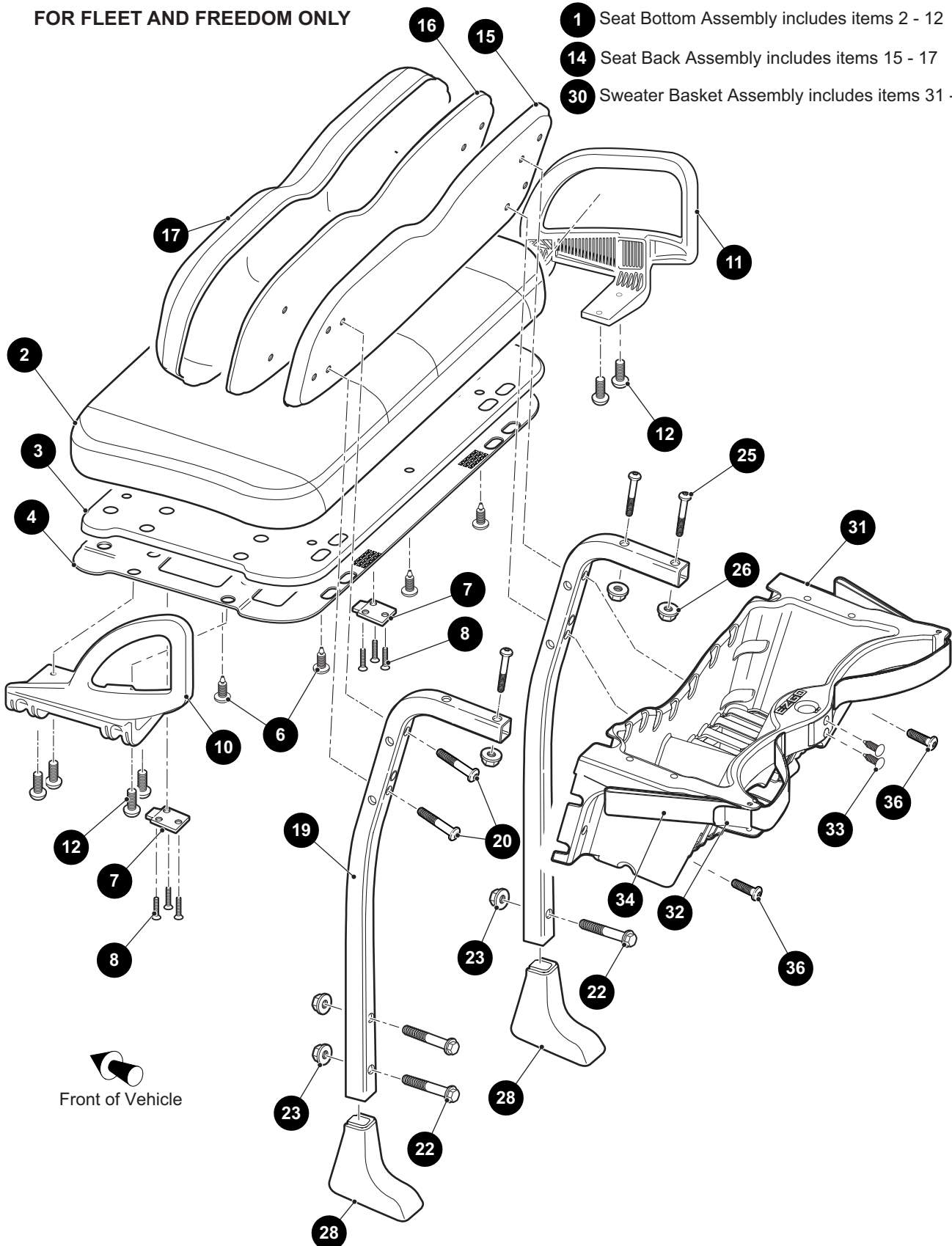
ITEM	PART NO.	1 2 3 4 5	DESCRIPTION	QTY.
1	10027130		Tapered Leaf Spring (For Fleet and Freedom).....	2
2	10027610		Tapered Leaf Spring (Heavy Duty).....	2
3				
4	601754		Flanged Hex Head Bolt, M10 - 1.5 x 100mm Lg, Grade 10.9.....	2
5	10029179		Flanged Bushing (Urethane).....	4
6	10030184		Split Spacer (Steel).....	2
7	600525		Flanged Lock Nut, M10 - 1.5.....	2
8				
9	632103		U-Bolt, 68mm Dia. x 45mm x 110mm Lg.....	4
10	10023387		Axle Support Bracket.....	2
11	625658		Shock Mount Plate (Passenger Side).....	1
12	625657		Shock Mount Plate (Driver Side).....	1
13	600525		Flanged Lock Nut, M10 - 1.5.....	8
14				
15	601754		Flanged Hex Head Bolt, M10 - 1.5 x 100mm Lg, Grade 10.9.....	4
16	652245		Shackle Plate.....	4
17	10025892		Flanged Bushing.....	8
18	10030184		Split Spacer (Steel).....	4
19	600525		Flanged Lock Nut, M10 - 1.5.....	4
20				
21	10024650		Shock Absorber.....	2
22	10194G1		Rubber Bushing.....	8
23	10435G1		Shock Absorber Washer, 1.25" O.D. x .406" I.D x .22" Lg.....	8
24	*		Hex Nut, 3/8" - 24.....	4

**FOR FLEET AND FREEDOM ONLY**

**1** Seat Bottom Assembly includes items 2 - 12

**14** Seat Back Assembly includes items 15 - 17

**30** Sweater Basket Assembly includes items 31 - 34



THE USE OF NON U.L. PARTS WILL VOID ANY U.L. LISTING.

When ordering parts, please specify the model and serial number of the product.

\* Indicates a component that is not available as an individual part.

\*\*\* Indicates consult Customer Service Department for additional information.

ITEM	PART NO.	1 2 3 4 5	DESCRIPTION	QTY.
1	***		Seat Bottom Assembly (Includes Items 2 - 12) ..... 629269G4002 Stone Beige 629269G4001 Oyster 629269G4006 Black 629269G4004 Gray	1
2	***		Vinyl and Foam Seat Bottom ..... 644819G02 Stone Beige 644819G01 Oyster 644819G06 Black 644819G04 Gray	1
3	10007867		Base Assembly .....	1
4	602551		Cover Plate .....	1
5				
6	16816G2		Ratchet Rivet, .25" x .887" .....	4
7	71610G01		Seat Hinge .....	2
8	00720G08		Flat Head Phillips Tapping Screw, #12 - 14 x 1" Lg .....	6
9				
10	617645		Hip Restraint (Driver Side) .....	1
11	617644		Hip Restraint (Passenger Side) .....	1
12	615417		Button Head Torx Bolt, M10 - 1.5 x 25mm Lg .....	8
13				
14	***		Seat Back Assembly (Includes Items 15 - 17)..... 641897G0002 Stone Beige 641897G0001 Oyster 641897G0006 Black 641897G0004 Gray	1
15	605529		Cover (Plastic) (Black) .....	1
16	644268		Base Assembly .....	1
17	***		Vinyl Cover and Foam Seat Back ..... 644820G02 Stone Beige 644820G01 Oyster 644820G06 Black 644820G04 Gray	1
18				
19	602413		Seat Back Support Strut.....	2
20	10029147		Button Head Torx Bolt, M10 - 1.5 x 60mm Lg, Grade 8.8 .....	4
21				

# SEATING

THE USE OF NON U.L. PARTS WILL VOID ANY U.L. LISTING.

When ordering parts, please specify the model and serial number of the product.

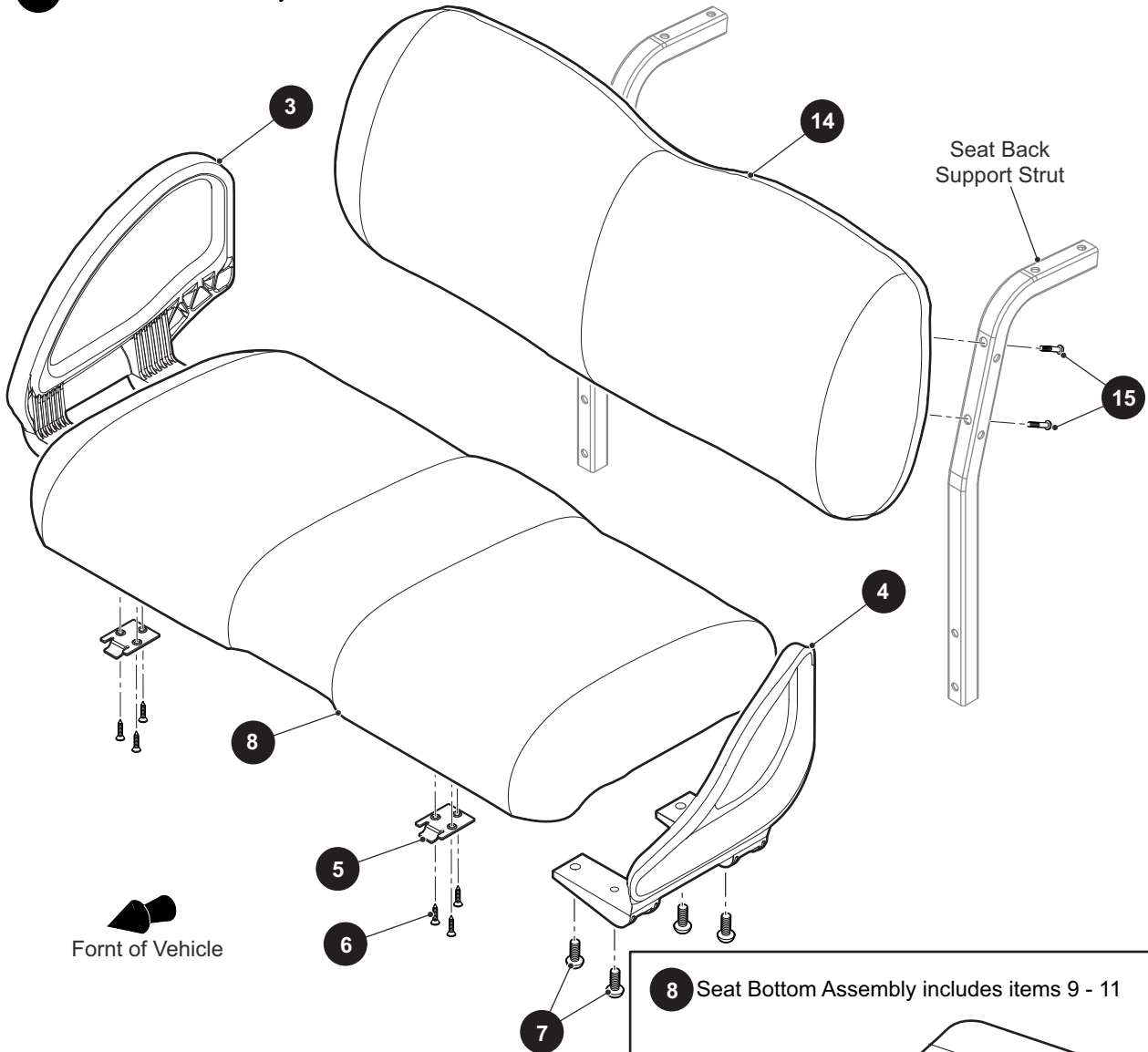
\* Indicates a component that is not available as an individual part.

\*\*\* Indicates consult Customer Service Department for additional information.

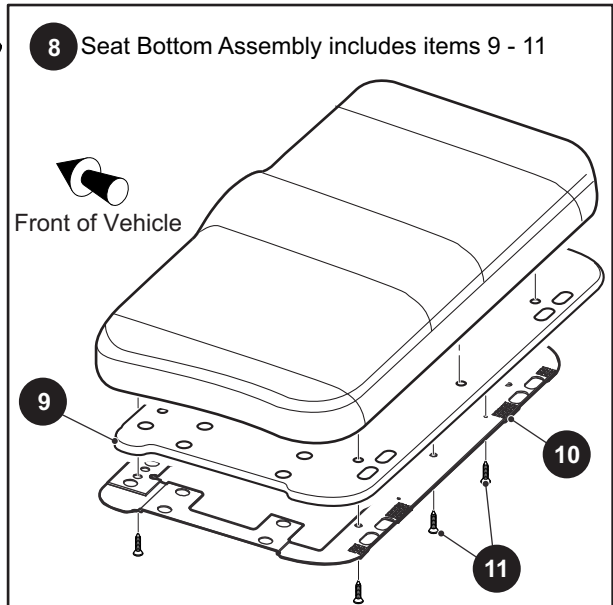
ITEM	PART NO.	1	2	3	4	5	DESCRIPTION	QTY.
22	603800						Flanged Hex Head Bolt, M10 - 1.5 x 50mm Lg, Grade 8.8 .....	4
23	600525						Flanged Lock Nut, M10 - 1.5 .....	4
24								
25	600527						Button Head Torx Bolt, M10 - 1.5 x 60mm Lg, Grade 8.8.....	4
26	600525						Flanged Lock Nut, M10 - 1.5 .....	4
27								
28	645088						Seat Back Support Strut Cover .....	2
29								
30	602742						Sweater Basket Assembly (Includes Items 31 - 34) .....	1
31	*						Sweater Basket .....	1
32	608051						Clamp (Bagrack) .....	2
33	16816G1						Ratchet Rivet, .25" x .680" .....	2
34	604102						Bag Strap .....	1
35								
36	600530						Button Head Torx Bolt, M10 - 1.5 x 25mm Lg, Grade 8.8.....	2



**1** Seat Bottom Assembly includes items 3 - 11



**8** Seat Bottom Assembly includes items 9 - 11





THE USE OF NON U.L. PARTS WILL VOID ANY U.L. LISTING.

When ordering parts, please specify the model and serial number of the product.

\* Indicates a component that is not available as an individual part.

\*\*\* Indicates consult Customer Service Department for additional information.

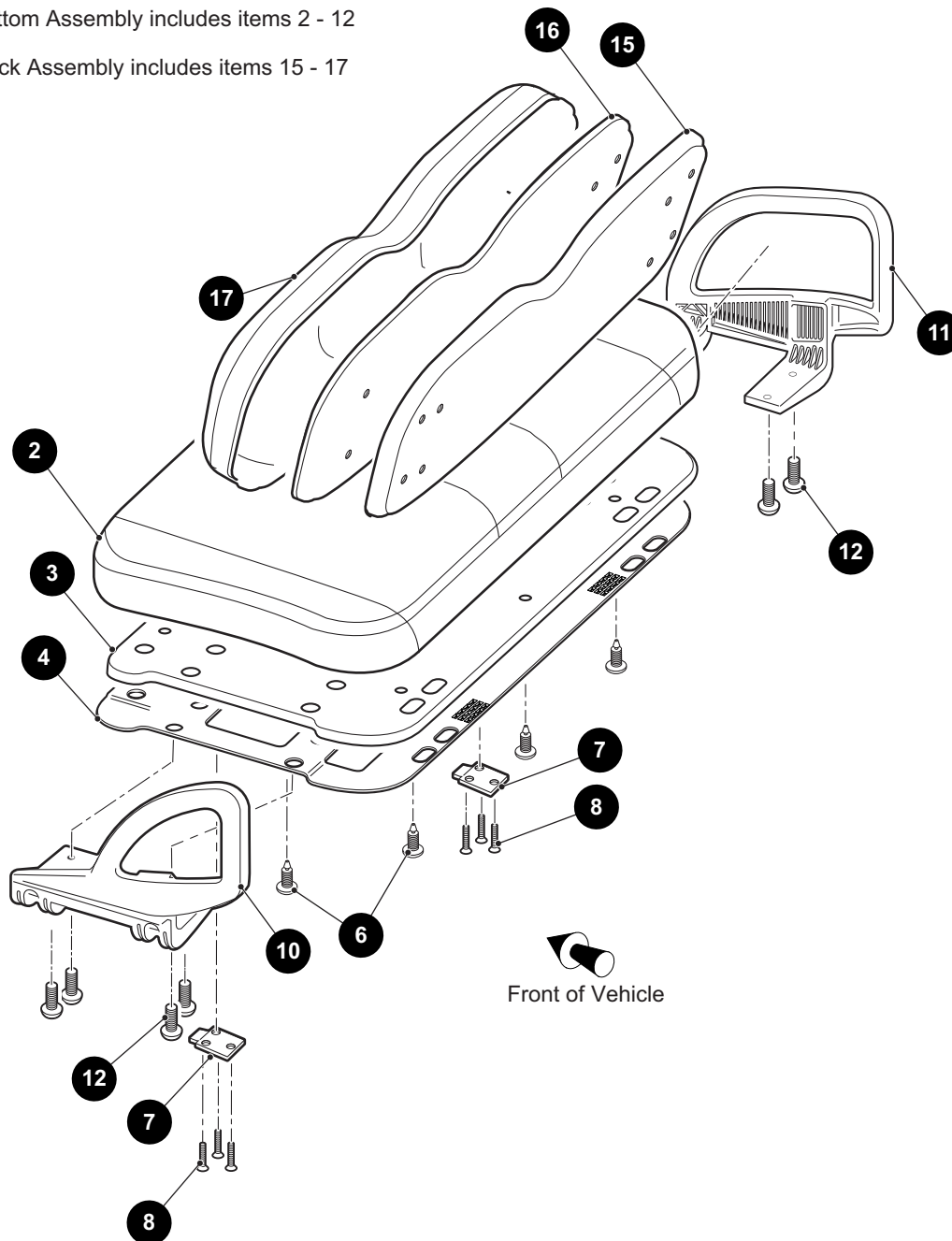
ITEM	PART NO.	1 2 3 4 5	DESCRIPTION	QTY.
1	***		Seat Bottom Assembly (Includes Items 3 - 11) ..... 629269G4618 Mushroom 629269G4619 Gray 629269G4620 Custom 629269G4621 Black	1
2				
3	617644		Hip Restraint (Passenger Side).....	1
4	617645		Hip Restraint (Driver Side).....	1
5	71610G01		Seat Hinge.....	2
6	00720G08		Phillips Head Tapping Screw, #12 - 14 x 1" Lg.....	6
7	615417		Button Head Torx Bolt, M10 - 1.5 x 25mm Lg.....	8
8	***		Seat Bottom (Includes Items 9 - 11) ..... 10046445G18 Mushroom 10046445G19 Gray 10046445G20 Custom 10046445G21 Black	1
9	*		Base Assembly.....	1
10	*		Cover Plate .....	1
11	*		Ratchet Rivet, .25" x .887" .....	4
12				
13				
14	***		Seat Back Assembly ..... 10046623G18 Mushroom 10046623G19 Gray 10046623G20 Custom 10046623G21 Black	1
15	10029147		Button Head Torx Bolt, M10 - 1.5 x 60mm Lg, Grade 8.8.....	4

# SEATING

FOR SHUTTLE 2+2 ONLY

1 Seat Bottom Assembly includes items 2 - 12

14 Seat Back Assembly includes items 15 - 17



THE USE OF NON U.L. PARTS WILL VOID ANY U.L. LISTING.

When ordering parts, please specify the model and serial number of the product.

\* Indicates a component that is not available as an individual part.

\*\*\* Indicates consult Customer Service Department for additional information.

ITEM	PART NO.	1 2 3 4 5	DESCRIPTION	QTY.
1	***		Seat Bottom Assembly (Includes Items 2 - 12) ..... 629269G4002 Stone Beige 629269G4001 Oyster 629269G4006 Black 629269G4004 Gray	1
2	***		Vinyl and Foam Seat Bottom ..... 644819G02 Stone Beige 644819G01 Oyster 644819G06 Black 644819G04 Gray	1
3	10007867		Base Assembly .....	1
4	602551		Cover Plate .....	1
5				
6	16816G2		Ratchet Rivet, .25" x .887" .....	4
7	71610G01		Seat Hinge .....	2
8	00720G08		Flat Head Phillips Tapping Screw, #12 - 14 x 1" Lg .....	6
9				
10	617645		Hip Restraint (Driver Side) .....	1
11	617644		Hip Restraint (Passenger Side) .....	1
12	615417		Button Head Torx Bolt, M10 - 1.5 x 25mm Lg .....	8
13				
14	***		Seat Back Assembly (Includes Items 15 - 17)..... 641897G0002 Stone Beige 641897G0001 Oyster 641897G0006 Black 641897G0004 Gray	1
15	605529		Cover (Plastic) (Black) .....	1
16	644268		Base Assembly .....	1
17	***		Vinyl Cover and Foam Seat Back ..... 644820G02 Stone Beige 644820G01 Oyster 644820G06 Black 644820G04 Gray	1

# SEATING

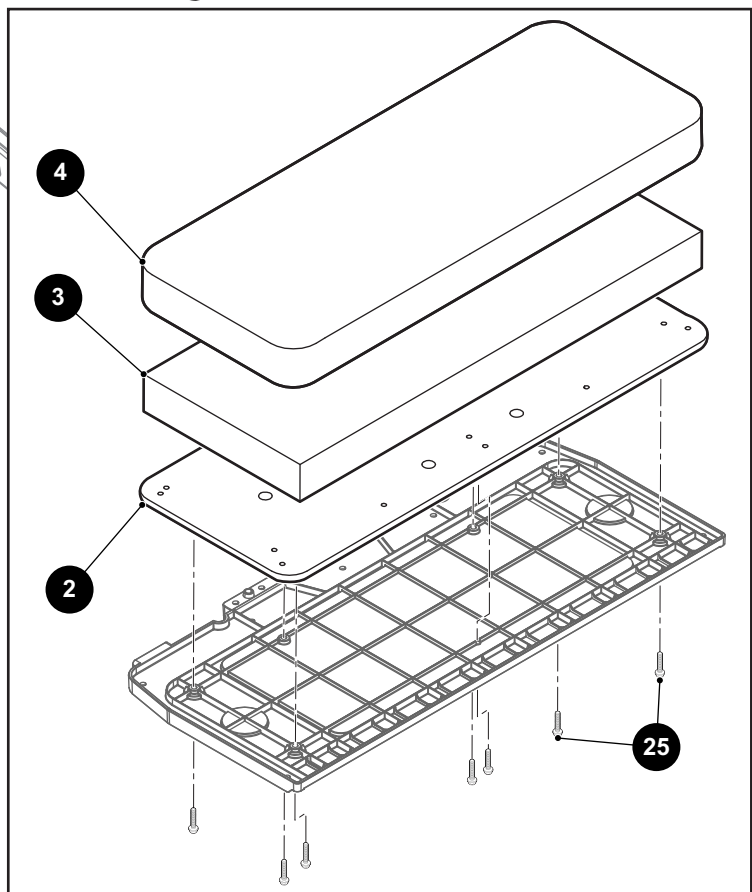
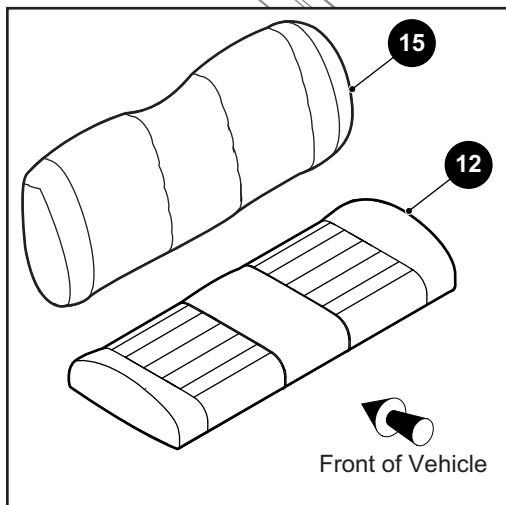
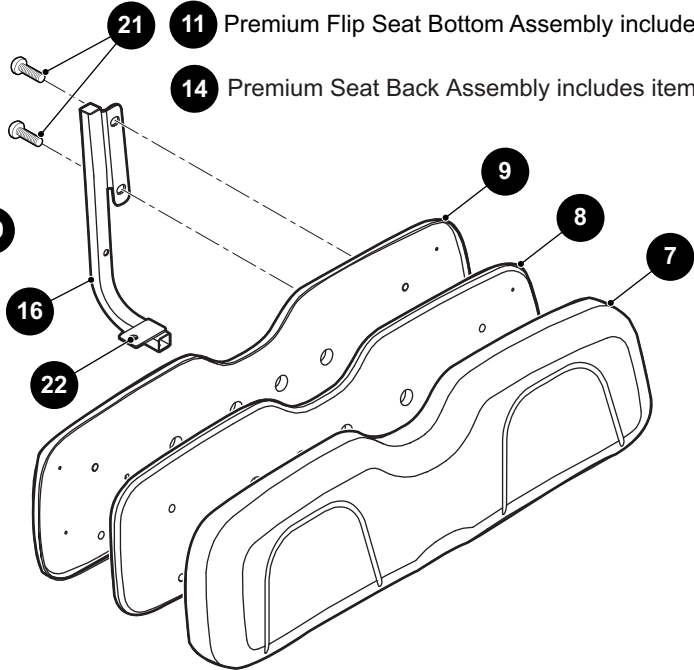
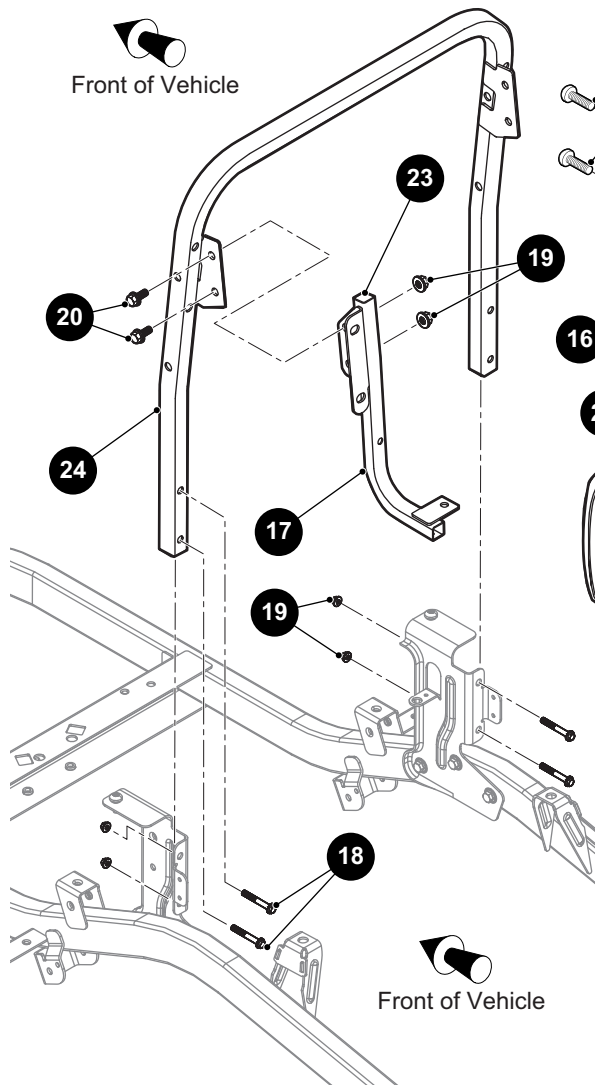
FOR SHUTTLE 2+2 ONLY

1 Flip Seat Bottom Assembly includes items 2 - 4

6 Seat Back Assembly includes items 7 - 9

11 Premium Flip Seat Bottom Assembly includes item 12

14 Premium Seat Back Assembly includes item 15



THE USE OF NON U.L. PARTS WILL VOID ANY U.L. LISTING.

When ordering parts, please specify the model and serial number of the product.

\* Indicates a component that is not available as an individual part.

\*\*\* Indicates consult Customer Service Department for additional information.

ITEM	PART NO.	1 2 3 4 5	DESCRIPTION	QTY.
1	***		Flip Seat Bottom Assembly (Includes Items 2 - 4) ..... 699321G01 Oyster 699321G02 Stone Beige 699321G04 Gray 699321G06 Black	1
2	669061		Seat Bottom.....	1
3	699297		Seat Bottom (Foam).....	1
4	***		Seat Bottom (Vinyl)..... 615646 Oyster 10027441 Stone Beige 617892 Gray 615648 Black	1
5				
6	***		Seat Back Assembly (Includes Items 7 - 9)..... 641897G0001 Oyster 641897G0002 Stone Beige 641897G0006 Black 641897G0004 Gray	1
7	***		Vinyl Seat Back Cover ..... 644820G01 Oyster 644820G02 Stone Beige 644820G06 Black 644820G04 Gray	1
8	605529		Seat Back Cover.....	1
9	644268		Seat Back Hip Base.....	1
10				
11	***		Premium Flip Seat Bottom Assembly (Includes Item 12)..... 10046625G18 Mushroom 10046625G19 Gray 10046625G20 Custom 10046625G21 Black 10046625G23 Charcoal 10046625G24 Oyster 10046625G25 White	1
12	669061		Flip Seat Bottom Combined.....	1
13				

# SEATING

THE USE OF NON U.L. PARTS WILL VOID ANY U.L. LISTING.

When ordering parts, please specify the model and serial number of the product.

\* Indicates a component that is not available as an individual part.

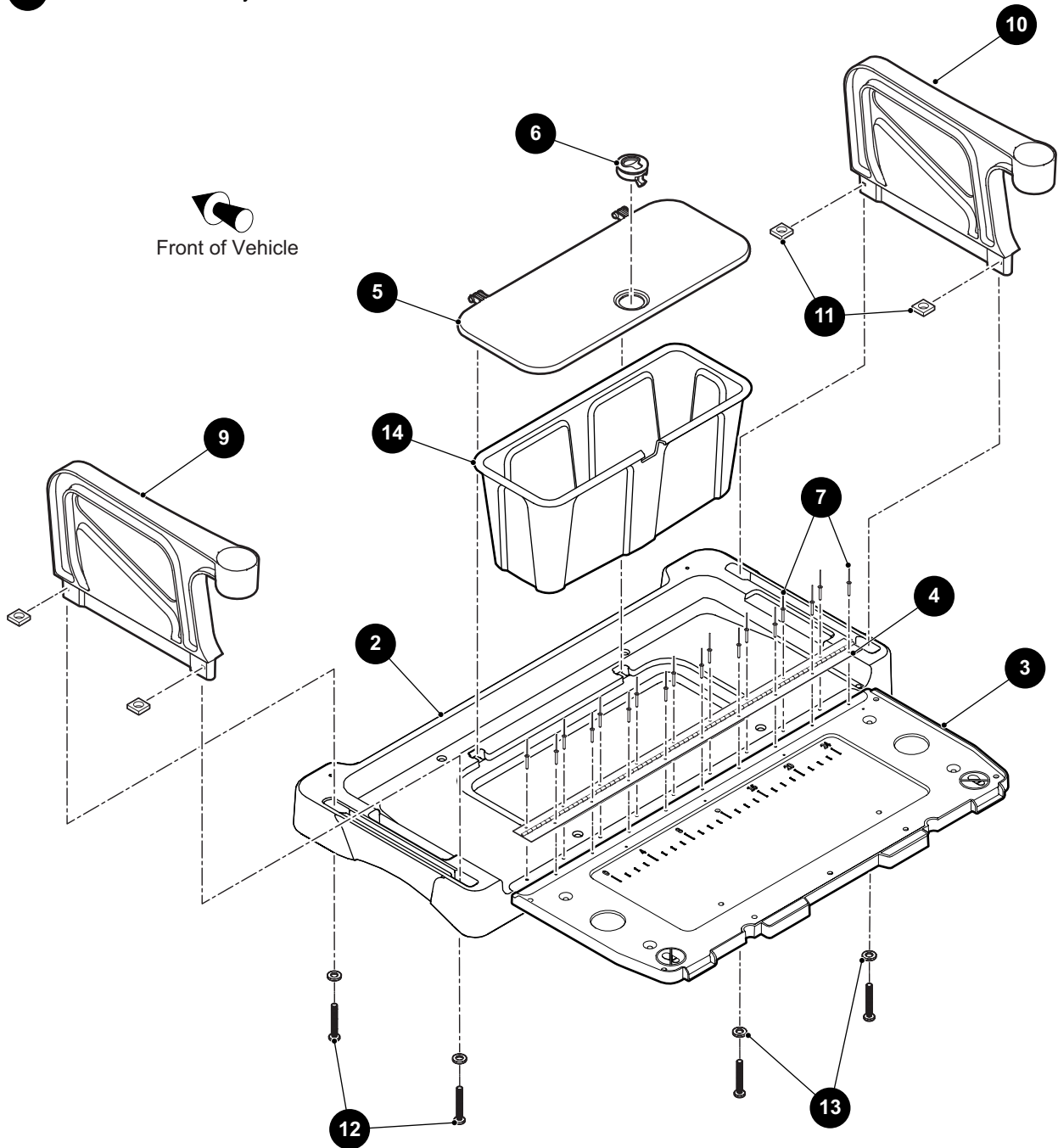
\*\*\* Indicates consult Customer Service Department for additional information.

ITEM	PART NO.	1	2	3	4	5	DESCRIPTION	QTY.
14	***						Premium Seat Back Assembly (Includes Item 15)..... 10046623G18 Mushroom 10046623G19 Gray 10046623G20 Custom 10046623G21 Black 10046623G23 Charcoal 10046623G24 Oyster 10046623G25 White	1
15	687137						Seat Back, Plywood .....	1
16	689616						Rear Facing Seat Support (Passenger Side) .....	1
17	689466						Rear Facing Seat Support (Driver Side).....	1
18	601414						Flanged Hex Head Bolt, M10 -1.5 x 65mm Lg, Grade 8.8 .....	4
19	600525						Flanged Lock Nut, M10 - 1.5 .....	8
20	603799						Flanged Hex Head Bolt, M10 - 1.5 x 25mm Lg, Grade 8.8 .....	4
21	600530						Button Head Torx Bolt, M10 - 1.5 x 25mm Lg, Grade 8.8.....	4
22	10025895						Barrel Clip, M8 x 1.25 .....	2
23	19853G1						Tube Cap .....	2
24	604473						Seat Support.....	1
25	*						Button Head Torx Bolt, M8 - 1.25 x 60mm Lg.....	7



## FOR SHUTTLE 2+2 ONLY

- 1** Board Deck Assembly includes items 2 - 7





THE USE OF NON U.L. PARTS WILL VOID ANY U.L. LISTING.

When ordering parts, please specify the model and serial number of the product.

\* Indicates a component that is not available as an individual part.

\*\*\* Indicates consult Customer Service Department for additional information.

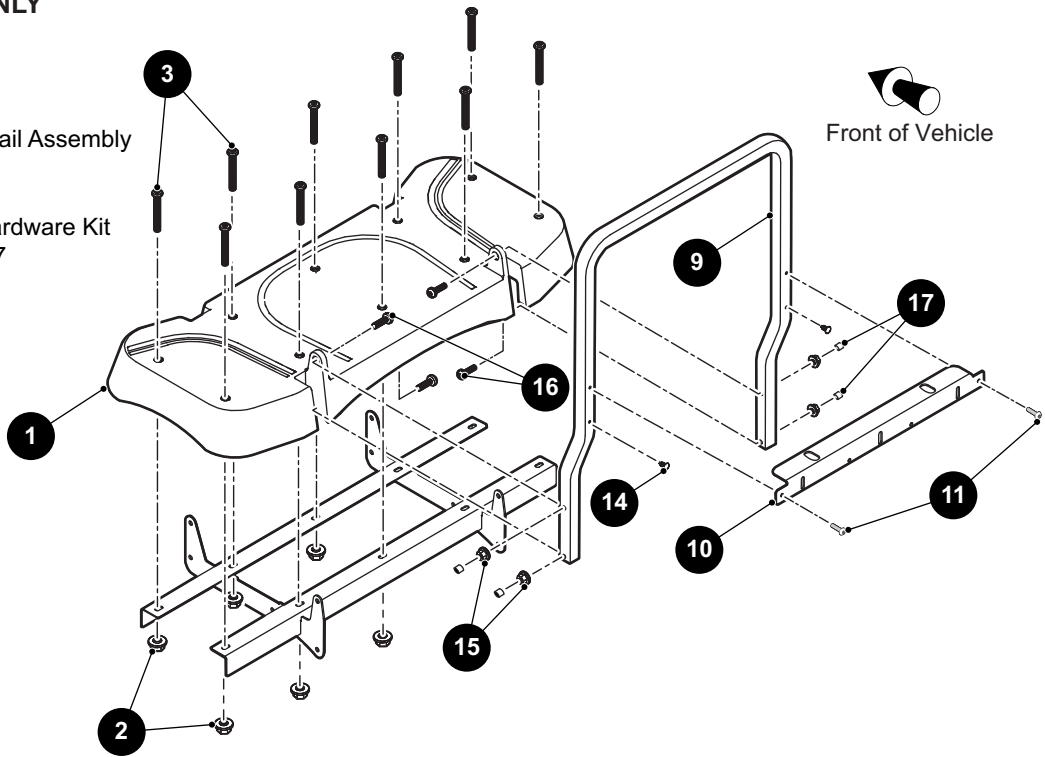
ITEM	PART NO.	1 2 3 4 5	DESCRIPTION	QTY.
1	10009995		Board Deck Assembly (Includes Items 2 - 7) .....	1
2	10007183		Seat Mount Base .....	1
3	10010592		Flip Seat Base .....	1
4	10007195		Hinge .....	1
5	10004646		Seat Bucket Lid .....	1
6	10008448		Latch Flush Pull .....	1
7	10010219		Rivet, 5/32" .....	18
8				
9	10007825G01		Arm Rest (Driver Side) .....	1
10	10007825G02		Arm Rest (Passenger Side) .....	1
11	10007630		Flat Square Nut M8 - 1.25 .....	4
12	10008553		Button Head Torx Bolt, M8 - 1.5 x 50mm Lg .....	4
13	606272		Lock Washer, 8mm .....	4
14	10005533		Bucket .....	1

# SEATING

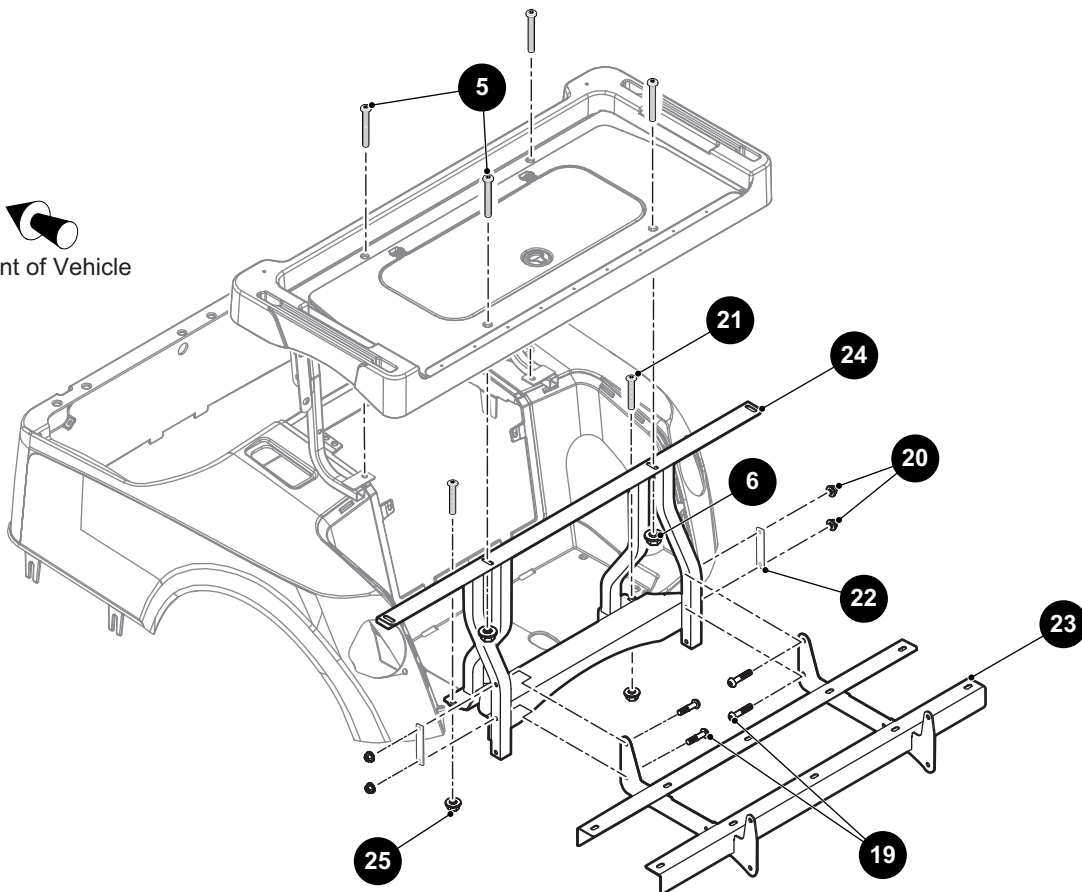
FOR SHUTTLE 2+2 ONLY

**8** Rear Footrest Handrail Assembly  
includes items 9 - 11

**13** Footboard Frame Hardware Kit  
includes items 14 - 17



Front of Vehicle



THE USE OF NON U.L. PARTS WILL VOID ANY U.L. LISTING.

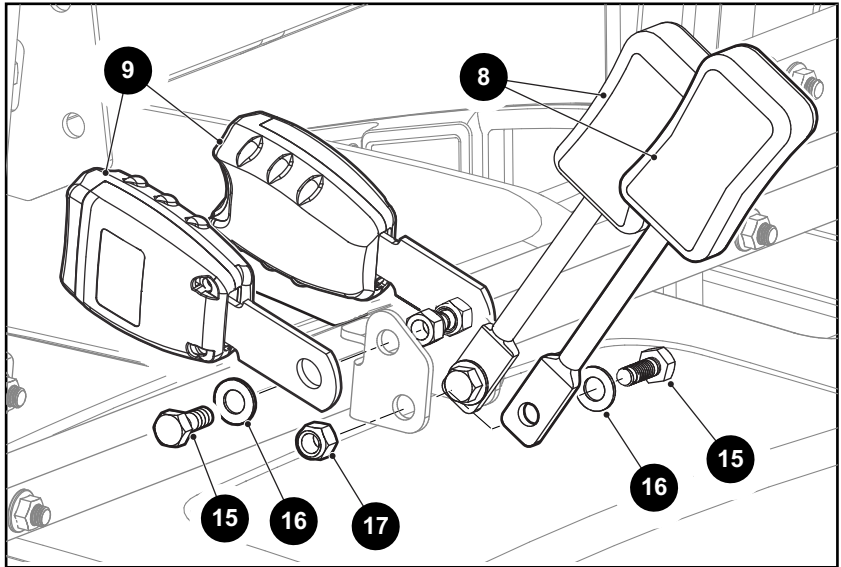
When ordering parts, please specify the model and serial number of the product.

\* Indicates a component that is not available as an individual part.

\*\*\* Indicates consult Customer Service Department for additional information.

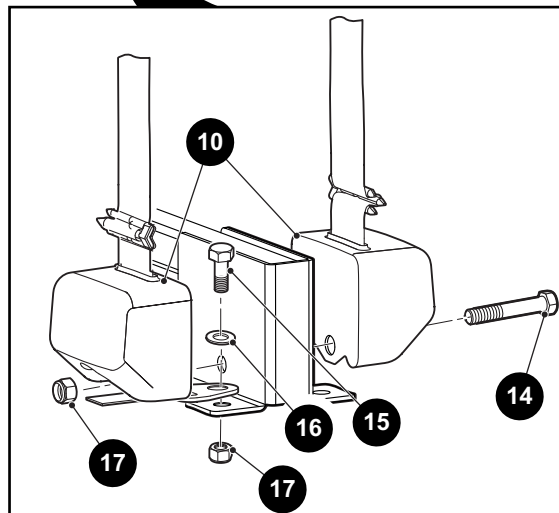
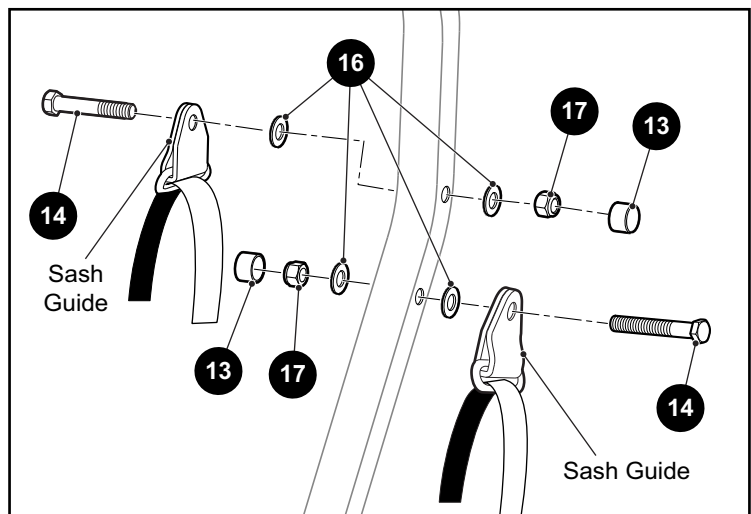
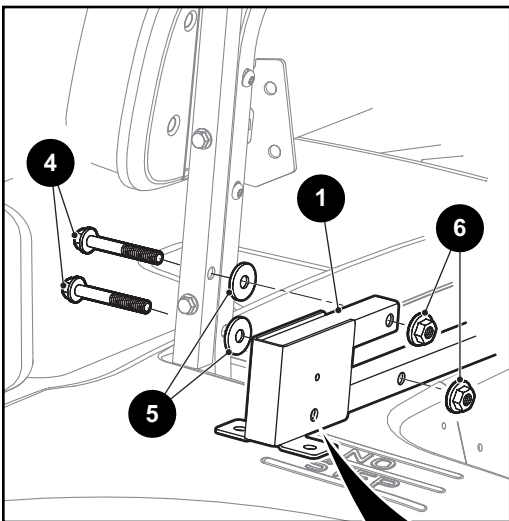
ITEM	PART NO.	1 2 3 4 5	DESCRIPTION	QTY.
1	10006567		Footrest.....	1
2	645956		Flanged Hex Nut, M8 - 1.25 .....	10
3	10007031		Button Head Torx Bolt, M8 - 1.25 x 35mm Lg .....	10
4				
5	10007031		Button Head Torx Bolt, M8 - 1.25 x 35mm Lg .....	4
6	645956		Flanged Hex Nut, M8 - 1.25 .....	2
7				
8	10022889		Rear Footrest Handrail Assembly (Includes Items 9 - 11).....	1
9	10007862		Footrest Handrail .....	1
10	10007865		Handrail Crossmember.....	1
11	10023112		Thread Forming Button Head Torx Screw, M6 - 1 x 20mm Lg.....	2
12				
13	10029288		Footboard Frame Hardware Kit (Includes Items 14 - 17).....	1
14	16816G5		Ratchet Rivet, .187" x .550".....	2
15	645956		Flanged Hex Nut, M8 - 1.25 .....	4
16	10008552		Button Head Torx Bolt, M8 - 1.25 x 60mm Lg.....	4
17	10031844		Thread Cover Cap .....	4
18				
19	10008552		Button Head Torx Bolt, M8 - 1.25 x 60mm Lg .....	4
20	645956		Flanged Hex Nut, M8 - 1.25 .....	4
21	10029267		Flanged Round Head Screw, 1/4" - 20 x 2" Lg.....	2
22	10014848		Pin Plate.....	2
23	10007628		Footrest Frame.....	1
24	10043291		Seat Mounting Frame.....	1
25	10007945		Flanged Hex Nut, 1/4" - 20.....	2

FOR SHUTTLE 2+2 ONLY



**3** Seatbelt Structure Hardware Kit includes items 4 - 6

**12** Seatbelt Installation Hardware Kit includes items 13 - 17



THE USE OF NON U.L. PARTS WILL VOID ANY U.L. LISTING.

When ordering parts, please specify the model and serial number of the product.

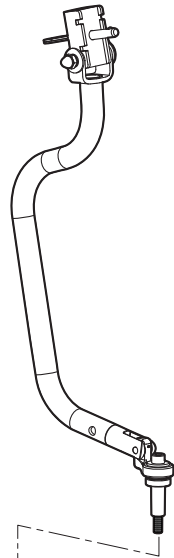
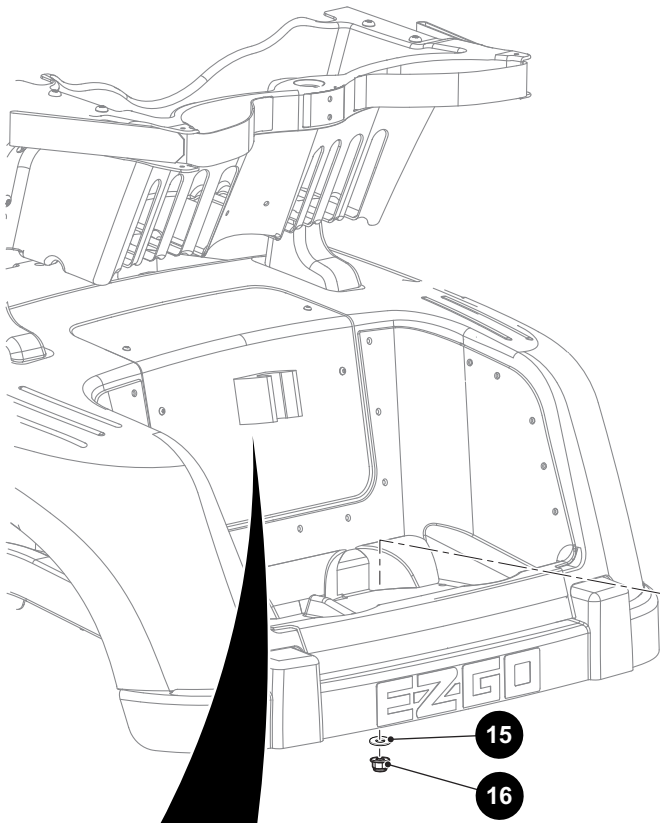
\* Indicates a component that is not available as an individual part.

\*\*\* Indicates consult Customer Service Department for additional information.

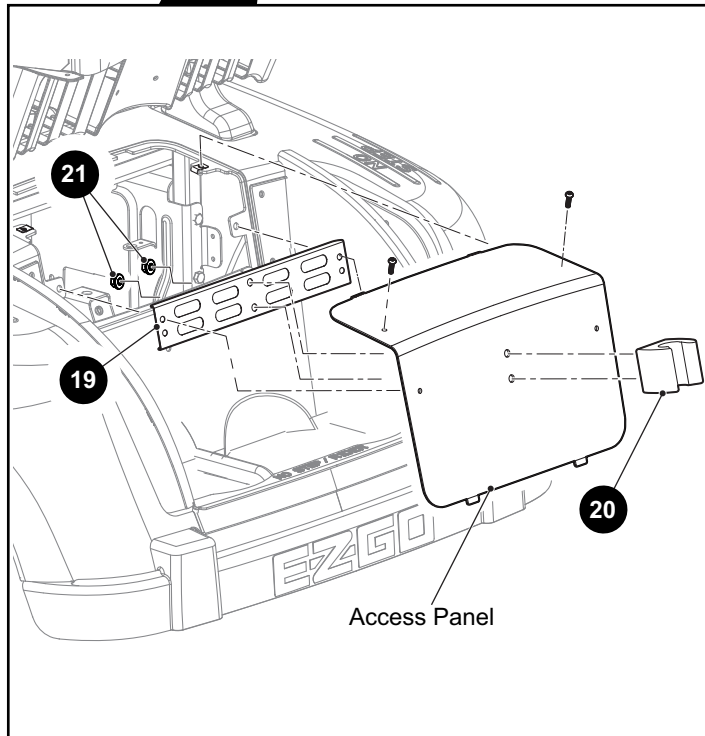
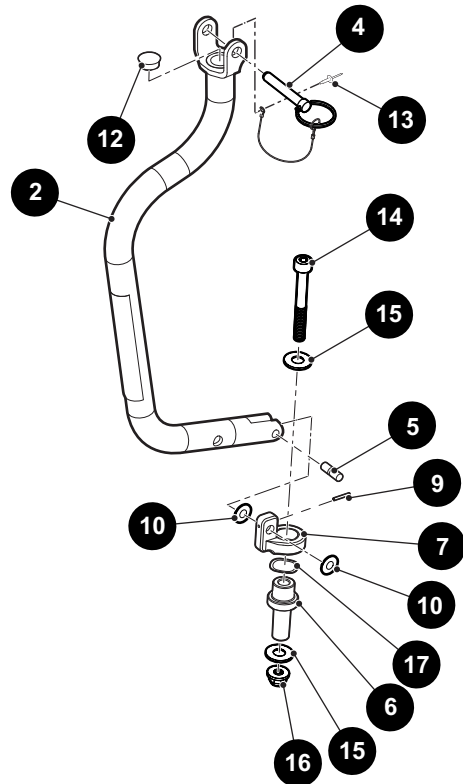
ITEM	PART NO.	1 2 3 4 5	DESCRIPTION	QTY.
1	610739		Seatbelt Weldment.....	1
2				
3	612126		Seatbelt Hardware Kit (Includes Items 4 - 6) .....	1
4	602415		Flanged Hex Head Bolt, M10 - 1.5 x 80mm Lg, Grade 12.9 .....	4
5	600525		Flanged Lock Nut, M10 - 1.5 .....	4
6	604066		Flat Washer (Steel), M10 .....	4
7				
8	609031		Seat Belt Buckle, 9" Lg .....	2
9	661524		Seat Belt Buckle, 6" Lg .....	2
10	649131		Seat Belt Retractor Assembly .....	4
11				
12	612127		Seatbelt Installation Hardware Kit (Includes Items 13 - 17) .....	1
13	605686		Vinyl Cap .....	4
14	612346		Hex Head Bolt, 7/16" - 20 x 2 1/2" Lg, Grade 5 .....	2
15	610753		Hex Head Bolt, 7/16" - 20 x 1" Lg, Grade 5 .....	8
16	00560G2		Flat Washer, 7/16" .....	16
17	00734G3		Lock Nut, 7/16" - 20 .....	14

# TOWBAR

FOR FLEET AND FREEDOM ONLY



1 Tow Bar Assembly includes items 2 - 17



THE USE OF NON U.L. PARTS WILL VOID ANY U.L. LISTING.

When ordering parts, please specify the model and serial number of the product.

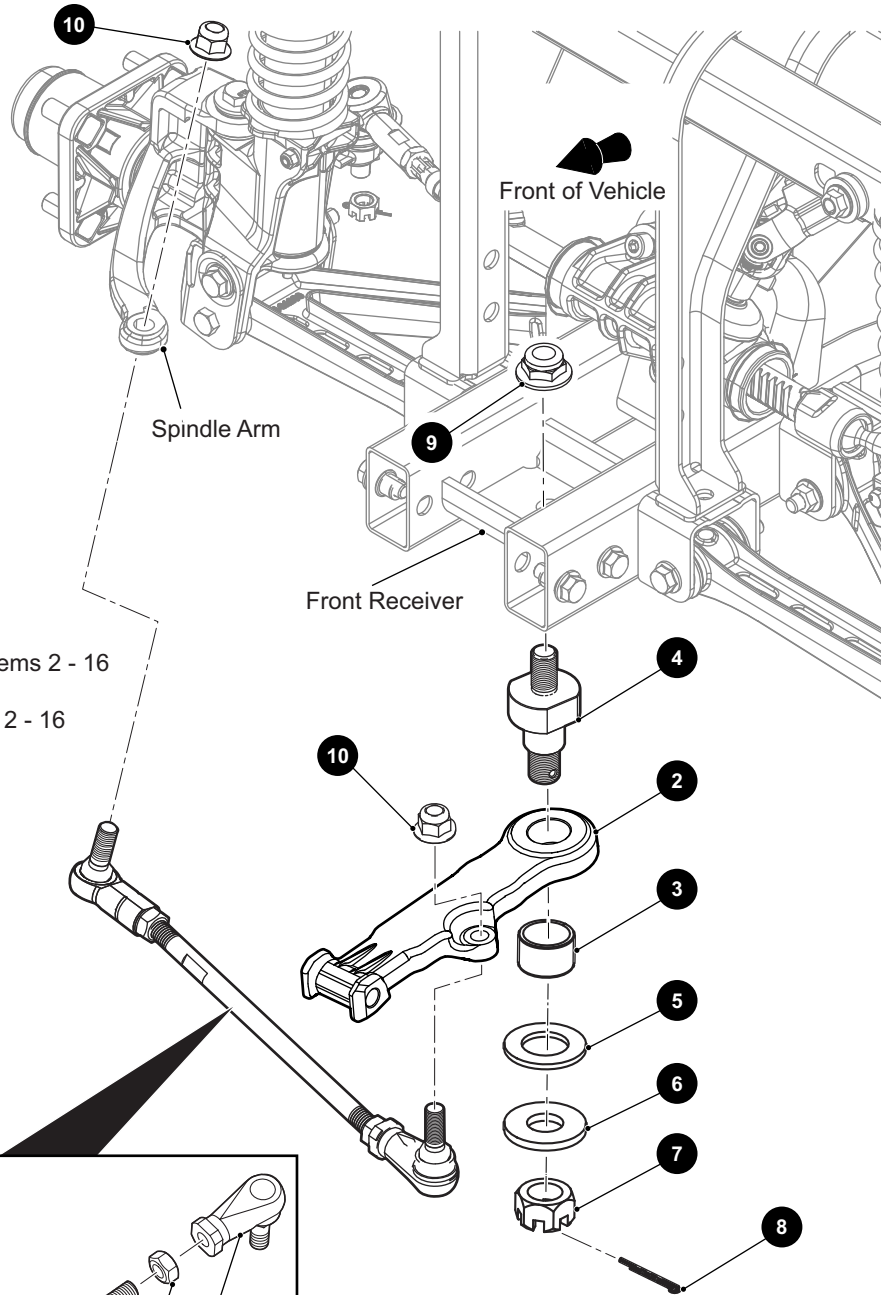
\* Indicates a component that is not available as an individual part.

\*\*\* Indicates consult Customer Service Department for additional information.

ITEM	PART NO.	1 2 3 4 5	DESCRIPTION	QTY.
1	10025958		Towbar Assembly (Includes Items 2 - 17) .....	1
2	10024526		Towbar .....	1
3				
4	641170		Hitch Pin Assembly (Short).....	1
5	75360G01		Pivot Pin .....	1
6	602990		Pivot.....	1
7	625458		Swivel .....	1
8				
9	608793		Spirol Pin, 3mm x 22mm .....	1
10	75340G01		Flat Washer (Delrin), M10.....	2
11				
12	20271G6		Plug, .875" Dia.....	1
13	10570G10		Domed Rivet (SS), 5/32" x 9/16" .....	1
14	603384		Socket Head Bolt, M12 - 1.25 x 100mm Lg, Grade 12.9.....	1
15	603182		Flat Washer, M12.....	2
16	625748		Lock Nut, M12 - 1.25 .....	1
17	603341		Wavy Washer, M32.....	1
18				
19	641228		Support Channel .....	1
20	603020		Towbar Retainer.....	1
21	600525		Flanged Lock Nut, M10 - 1.5.....	2

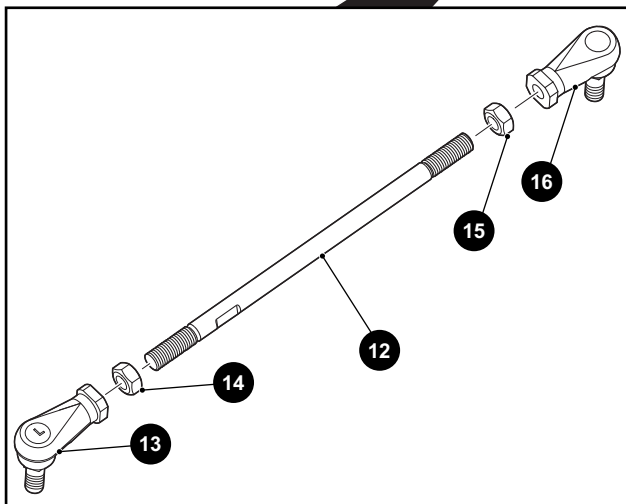
# TOWBAR

FOR FLEET AND FREEDOM ONLY



1 Towbar Front Assembly includes items 2 - 16

11 Tie-Rod Assembly includes items 12 - 16





THE USE OF NON U.L. PARTS WILL VOID ANY U.L. LISTING.

When ordering parts, please specify the model and serial number of the product.

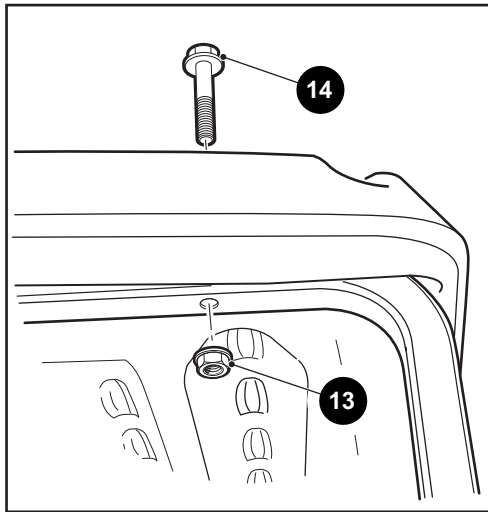
\* Indicates a component that is not available as an individual part.

\*\*\* Indicates consult Customer Service Department for additional information.

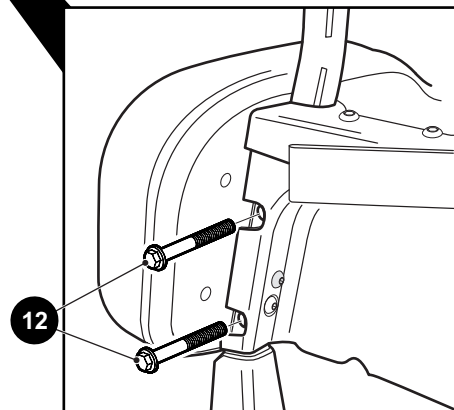
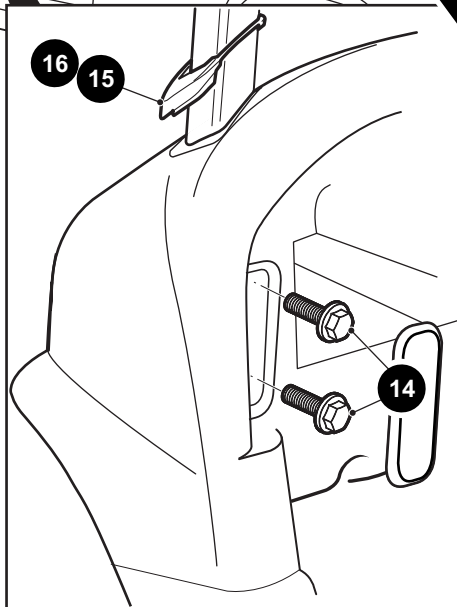
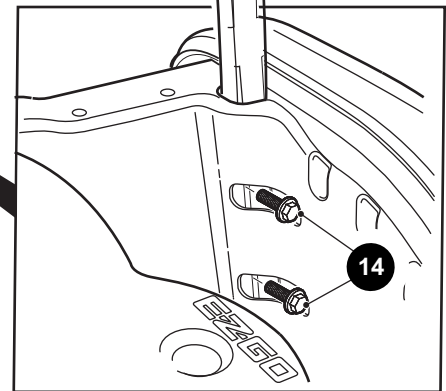
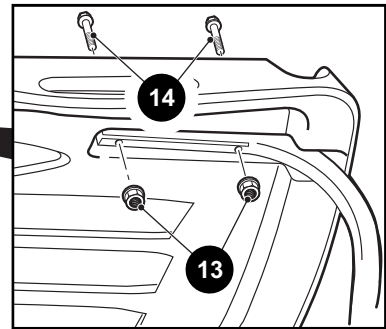
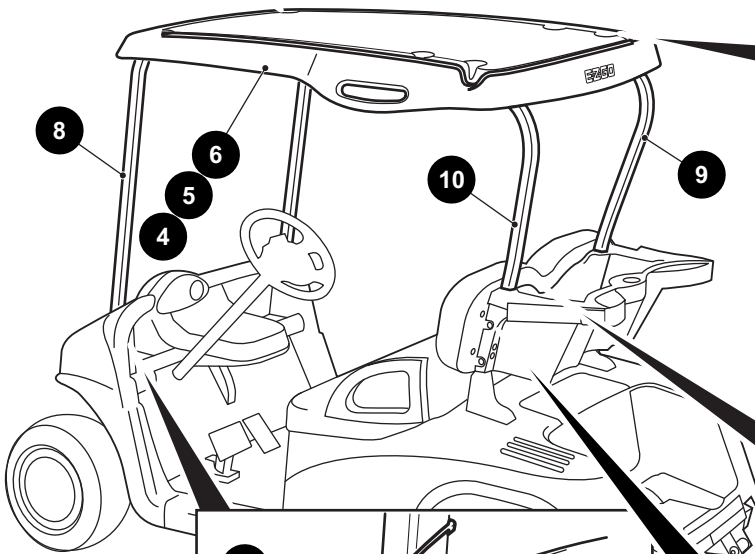
ITEM	PART NO.	1 2 3 4 5	DESCRIPTION	QTY.
1	10005045		Towbar Front Assembly (Includes Items 2 - 16).....	1
2	10005044		Front Pivot Bar.....	1
3	75307G01		Bearing.....	1
4	635464		Pivot Bolt.....	1
5	75309G01		Thrust Bearing 1.75" O.D. x 1" I.D.....	1
6	75342G01		Flat Washer, 1.75" O.D. x .78" I.D. ....	1
7	00518G8		Castle Nut, 3/4" - 16.....	1
8	10387G1		Cotter Pin, .125" x 1.50".....	1
9	601709		Lock Nut, M16 - 2.....	1
10	617787		Flanged Lock Nut, M12 - 1.75.....	2
11	10008952		Tie-rod Assembly (Includes Items 12 - 16).....	1
12	10008951		Tie-rod.....	1
13	643610		Tie Rod End, LH.....	1
14	624962		Hex Nut, M12 - 1.75.....	1
15	615414		Hex Nut, M12 - 1.75.....	1
16	614436		Tie Rod End.....	1

# WEATHER PROTECTION

## FOR FLEET AND FREEDOM ONLY



- 1 Sun Top Kit, Stone Beige includes items 4, 19
- 2 Sun Top Kit, Oyster includes items 5, 19
- 3 Sun Top Kit, Black includes items 6 - 16
- 7 Sun Top Strut Kit includes items 8 - 16
- 11 Sun Top Hardware Kit includes items 12 - 16
- 19 Sun Top Strut Kit includes items 8 - 10, 20
- 20 Sun Top Hardware Kit includes items 12 - 16



# WEATHER PROTECTION

THE USE OF NON U.L. PARTS WILL VOID ANY U.L. LISTING.

When ordering parts, please specify the model and serial number of the product.

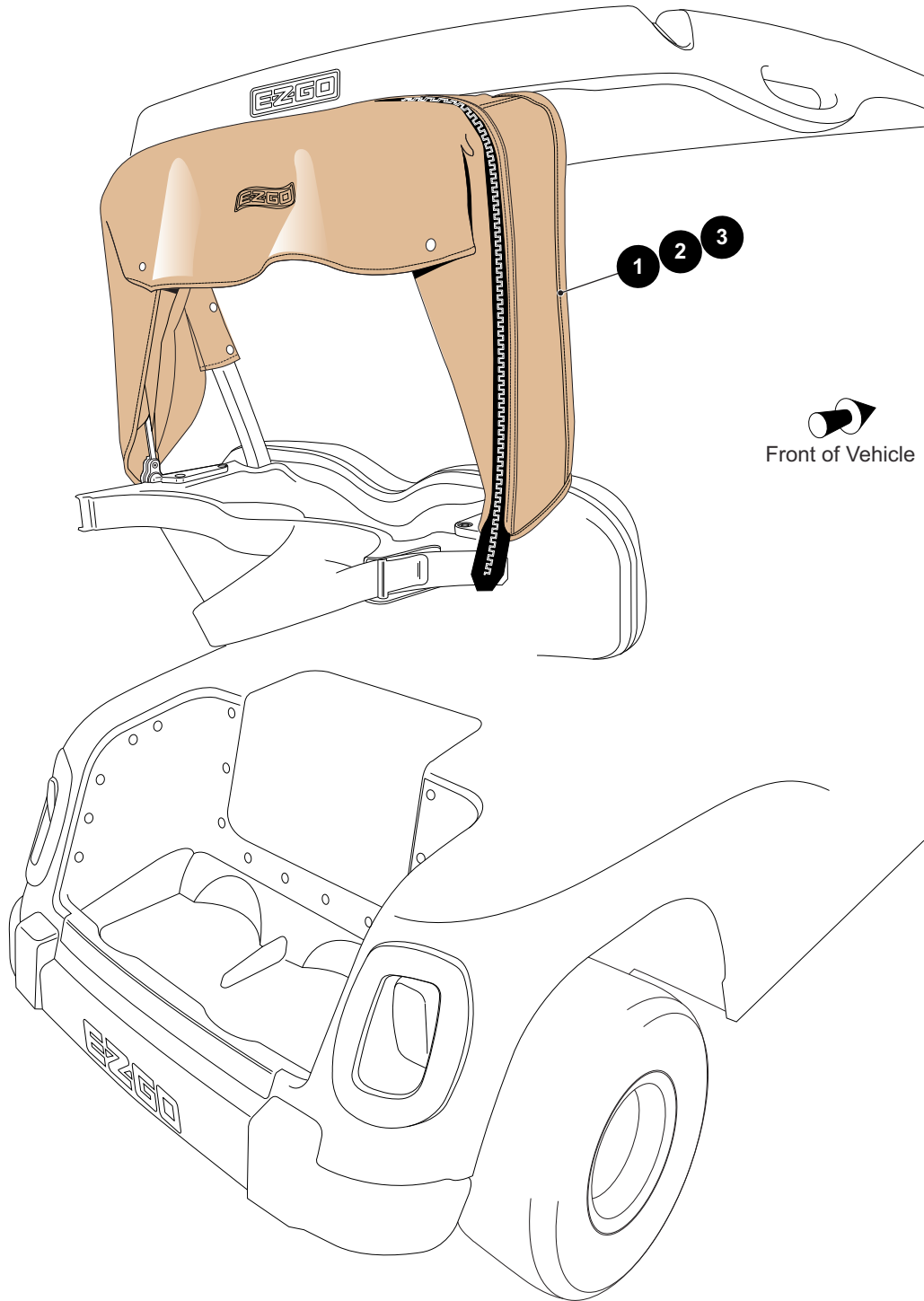
\* Indicates a component that is not available as an individual part.

\*\*\* Indicates consult Customer Service Department for additional information.

ITEM	PART NO.	1 2 3 4 5	DESCRIPTION	QTY.
1	610766		Sun Top Kit, Stone Beige (Includes Items 4, 19).....	1
2	610767		Sun Top Kit, Oyster (Includes Items 5, 19).....	1
3	613233		Sun Top Kit, Black (Includes Items 6 - 16) .....	1
4	608198		Sun Top .....	1
5	608015		Sun Top .....	1
6	613227		Sun Top .....	1
7	608677		Sun Top Strut Kit (Includes Items 8 - 16).....	1
8	603203		Front Strut .....	1
9	614310		Rear Strut (Passenger Side).....	1
10	614309		Rear Strut (Driver Side).....	1
11	607013		Sun Top Hardware Kit (Includes Items 12 - 16) .....	1
12	602415		Flanged Hex Head Bolt, M10 - 1.5 x 80mm Lg .....	4
13	600525		Flanged Lock Nut, M10 - 1.5 .....	10
14	603800		Flanged Hex Head Bolt, M10 - 1.5 x 50mm Lg .....	10
15	602770		Grommet (Driver Side) .....	1
16	602992		Grommet (Passenger Side).....	1
17				
18				
19	620880		Sun Top Strut Kit (Includes Items 8 - 10, 20).....	1
20	610763		Sun Top Hardware Kit (Includes Items 12 - 16) .....	1
21				
22	664522G08		GPS Mounting System (Not Illustrated) .....	1

# WEATHER PROTECTION

FOR FLEET AND FREEDOM ONLY



# WEATHER PROTECTION

THE USE OF NON U.L. PARTS WILL VOID ANY U.L. LISTING.

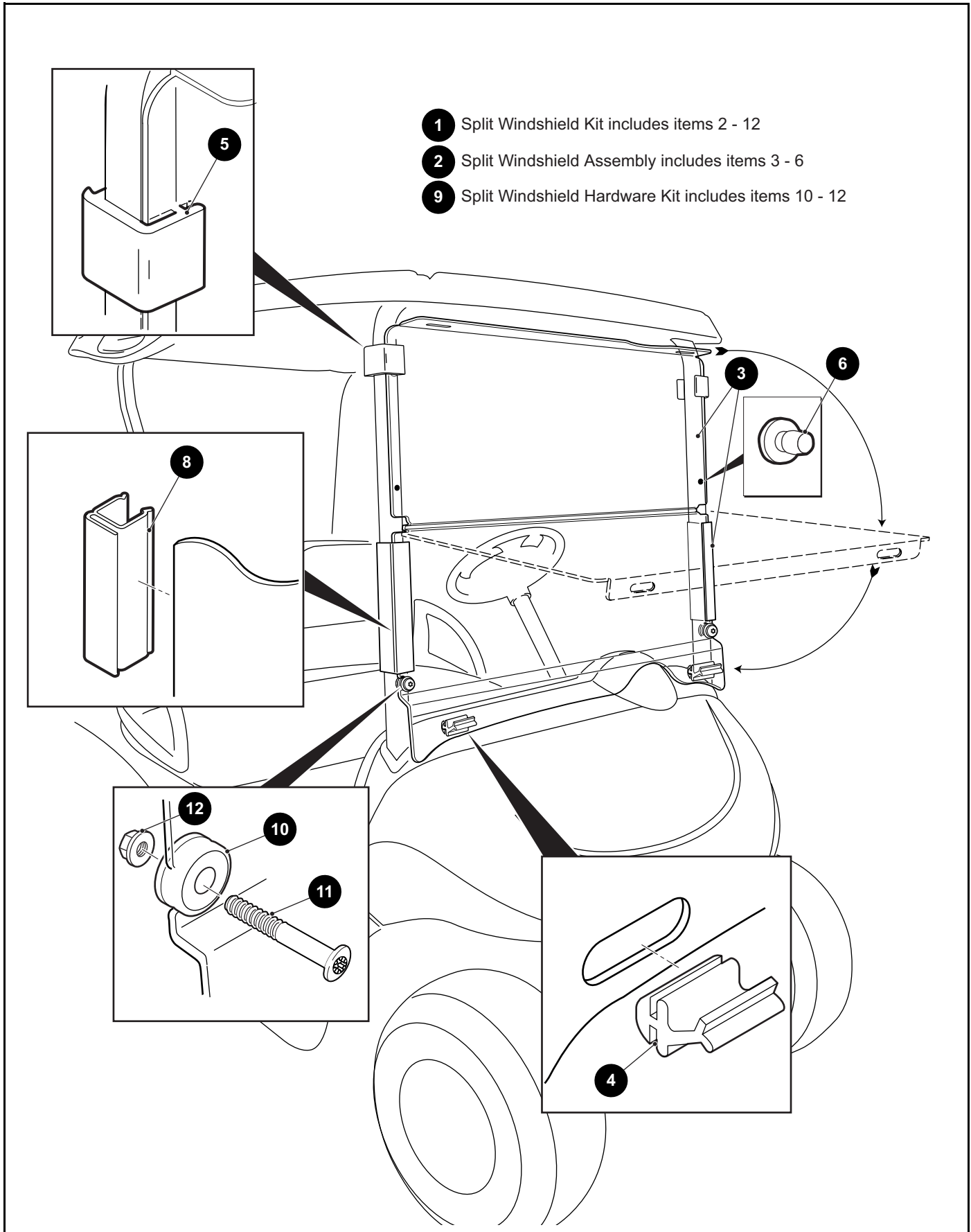
When ordering parts, please specify the model and serial number of the product.

\* Indicates a component that is not available as an individual part.

\*\*\* Indicates consult Customer Service Department for additional information.

ITEM	PART NO.	1 2 3 4 5	DESCRIPTION	QTY.
1	614267		Bag Cover Kit (Stone Beige).....	1
2	614268		Bag Cover Kit (Oyster).....	1
3	619020		Bag Cover Kit (Black).....	1

# WEATHER PROTECTION



## WEATHER PROTECTION

THE USE OF NON U.L. PARTS WILL VOID ANY U.L. LISTING.

When ordering parts, please specify the model and serial number of the product.

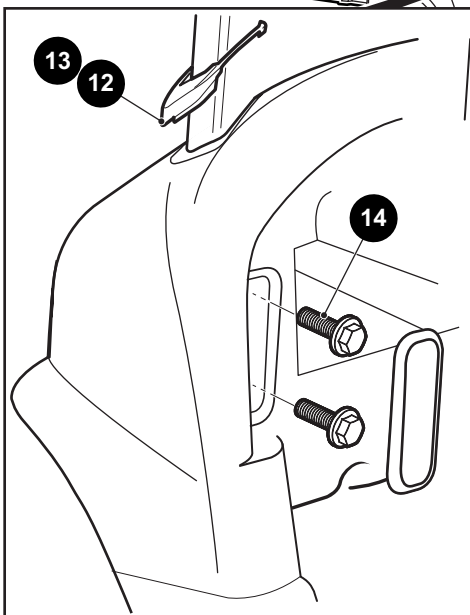
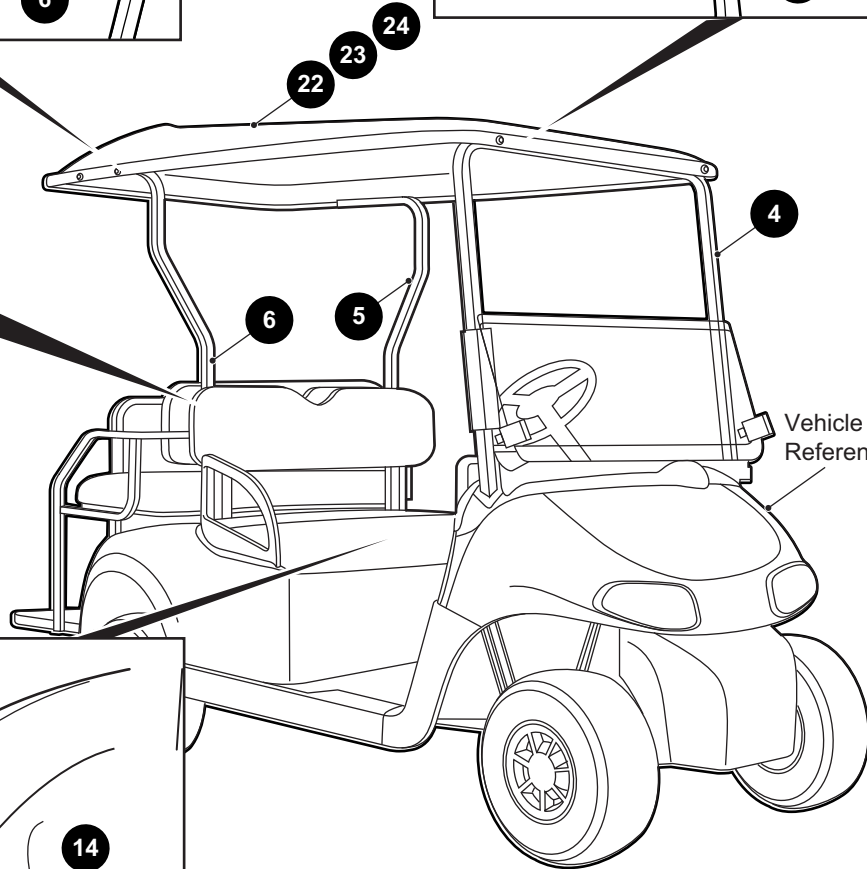
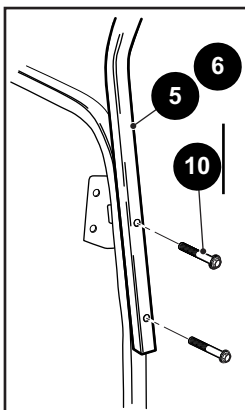
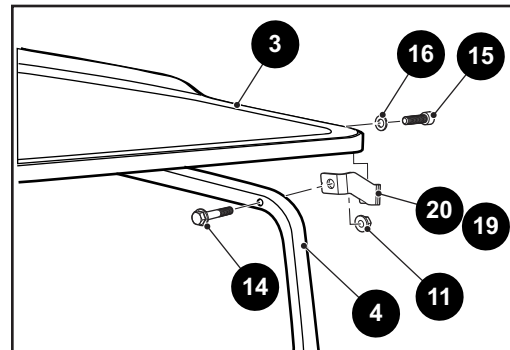
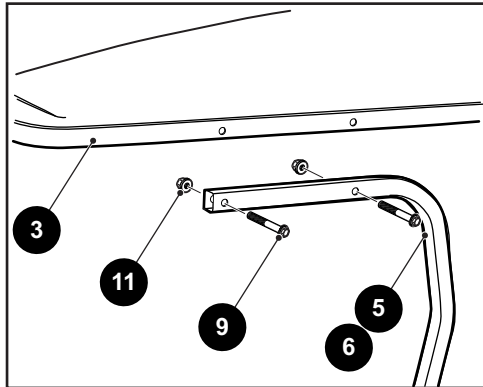
\* Indicates a component that is not available as an individual part.

\*\*\* Indicates consult Customer Service Department for additional information.

ITEM	PART NO.	1 2 3 4 5	DESCRIPTION	QTY.
1	10009762		Split Windshield Kit (Includes Items 2 - 12).....	1
2	606623		Split Windshield Assembly (Includes Items 3 - 6).....	1
3	603738		Split Windshield.....	1
4	603201		Lower Windshield Latch.....	2
5	603198		Upper Windshield Latch.....	2
6	604115		Isolator.....	2
7				
8	10009146		Windshield Attachment Sash, 9".....	2
9	668122		Split Windshield Hardware Kit (Includes Items 10 - 12).....	1
10	604116		Grommet.....	2
11	600527		Button Head Torx Bolt, M10 - 1.5 x 60mm Lg.....	2
12	600525		Flanged Lock Nut, M10 - 1.5.....	2
13				
14	608767		Split Wind Shield Kit (Tinted) (Not Illustrated).....	1
15	601379		Rear View Mirror Kit (Not Illustrated).....	1

# WEATHER PROTECTION

FOR SHUTTLE 2+2 ONLY



- 1 Sun Top Kit, Stone Beige includes items 4 - 20, 22
- 2 Sun Top Kit, Oyster includes items 4 - 20, 23
- 3 Sun Top Kit, Black includes items 4 - 20, 24
- 8 Sun Top Hardware Kit includes items 9 - 16
- 18 Sun Top Hardware Kit includes items 19 - 20



## WEATHER PROTECTION

THE USE OF NON U.L. PARTS WILL VOID ANY U.L. LISTING.

When ordering parts, please specify the model and serial number of the product.

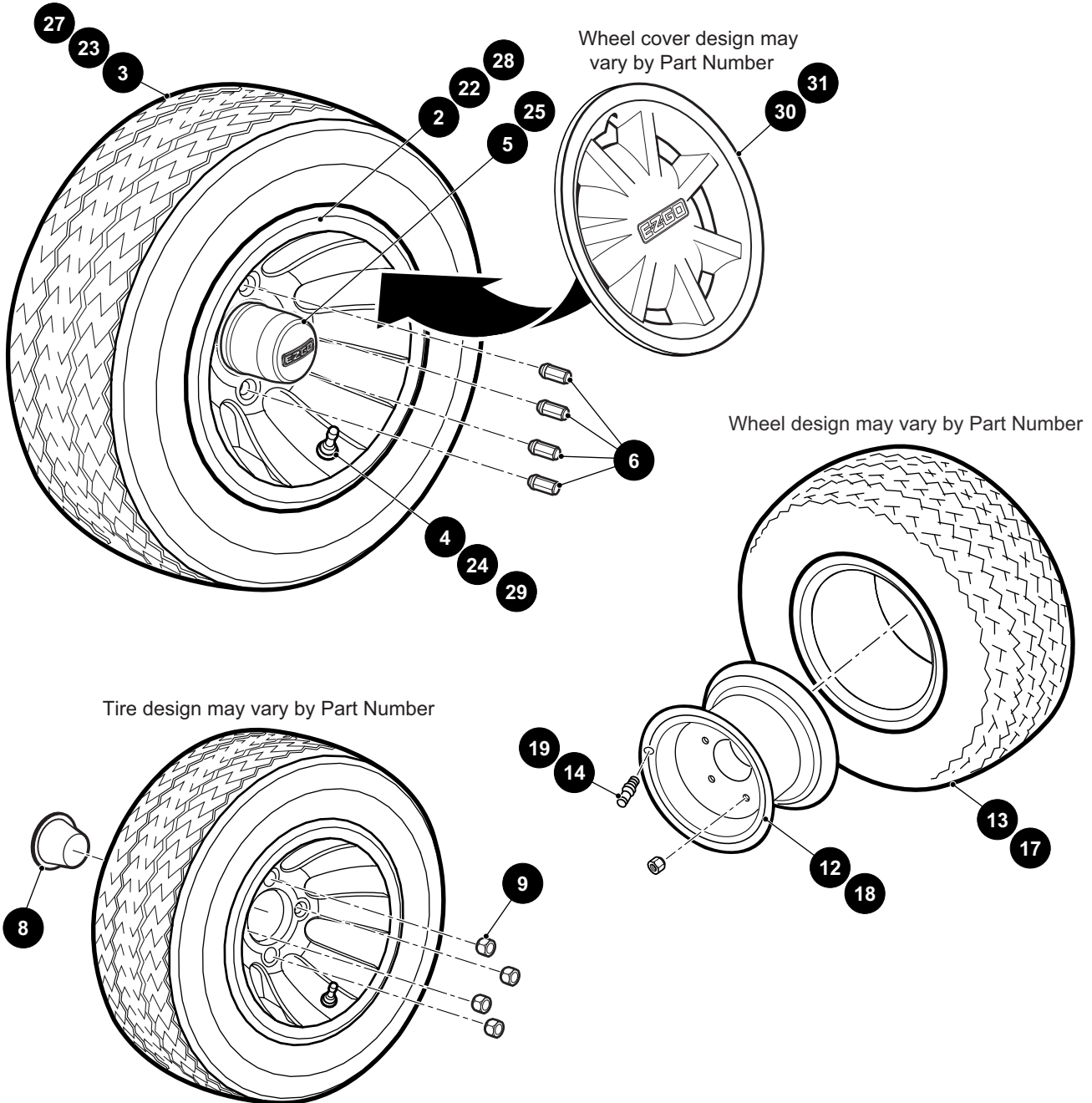
\* Indicates a component that is not available as an individual part.

\*\*\* Indicates consult Customer Service Department for additional information.

ITEM	PART NO.	1 2 3 4 5	DESCRIPTION	QTY.
1	610461		Sun Top Kit, Stone Beige (Includes Items 4 - 20, 22) .....	1
2	610462		Sun Top Kit, Oyster (Includes Items 4 -20, 23) .....	1
3	10006741		Sun Top Kit, Black (Includes Items 4 -20, 24) .....	1
4	603203		Front Strut Tube.....	1
5	604423		Rear Strut (Driver Side).....	1
6	604424		Rear Strut (Passenger Side) .....	1
7				
8	610468		Sun Top Hardware Kit (Includes Items 9 - 16).....	1
9	601414		Flanged Hex Head Bolt, M10 - 1.5 x 65mm Lg .....	4
10	602415		Flanged Hex Head Bolt, M10 - 1.5 x 80mm Lg .....	4
11	600525		Flanged Lock Nut, M10 - 1.5.....	8
12	602770		Strut Grommet (Driver Side) .....	1
13	602992		Strut Grommet (Passenger Side).....	1
14	603800		Flanged Hex Head Bolt, M10 - 1.5 x 50mm Lg .....	6
15	608653		Socket Head Bolt, M10 - 1.5 x 35mm Lg .....	2
16	00560G1		Flat Washer, 3/8" .....	2
17				
18	610472		Sun Top Hardware Kit (Includes Items 19 - 20).....	1
19	610424		Bracket (Driver Side).....	1
20	610425		Bracket (Passenger Side) .....	1
21				
22	610434		Sun Top, Stone Beige .....	1
23	610433		Sun Top, Oyster .....	1
24	606937		Sun Top, Black.....	1

# WHEELS AND TIRES

- 1** Wheel and Tire Assembly (Machine Alloy) includes items 2 - 5
- 11** Wheel and Tire Assembly (Hole-N-One) includes items 12 - 14
- 16** Wheel and Tire Assembly (Kenda) includes items 17 - 19
- 21** Wheel and Tire Assembly (Paramount Radial) includes items 22 - 25
- 26** Wheel and Tire Assembly (Kenda) includes items 27 - 29



# WHEELS AND TIRES

THE USE OF NON U.L. PARTS WILL VOID ANY U.L. LISTING.

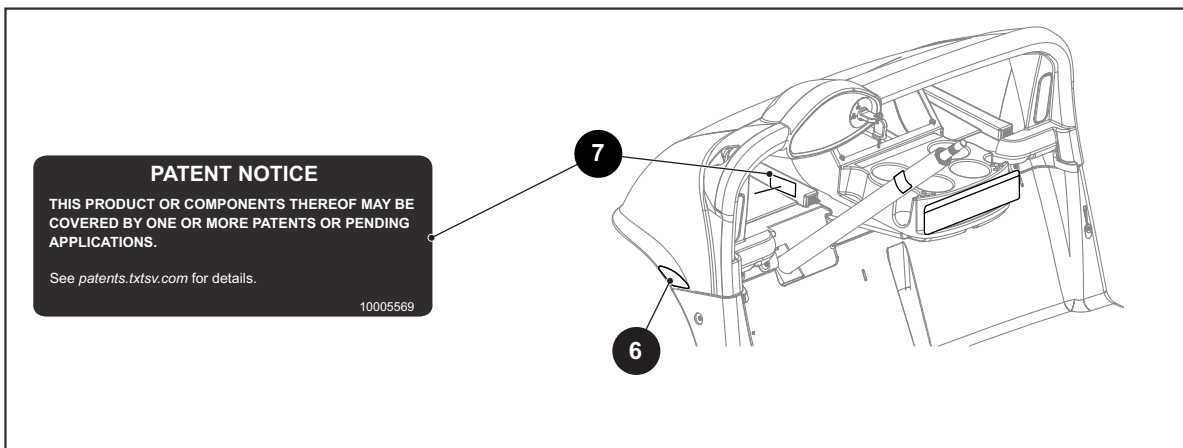
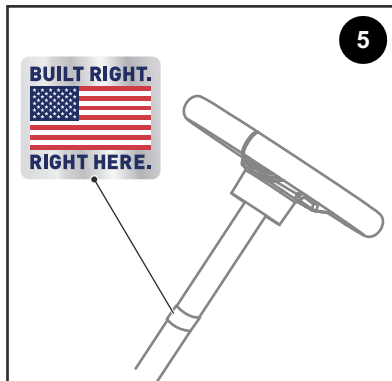
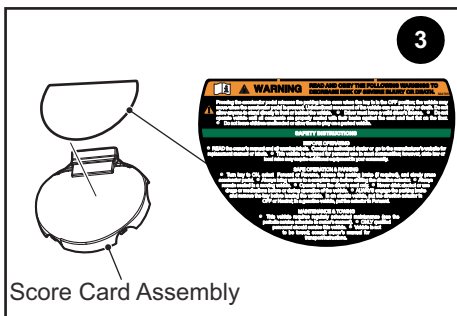
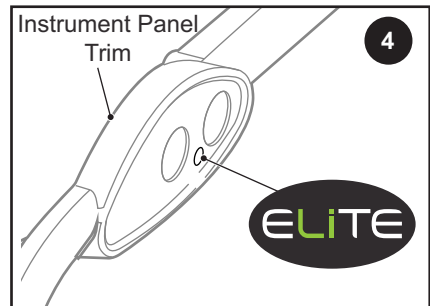
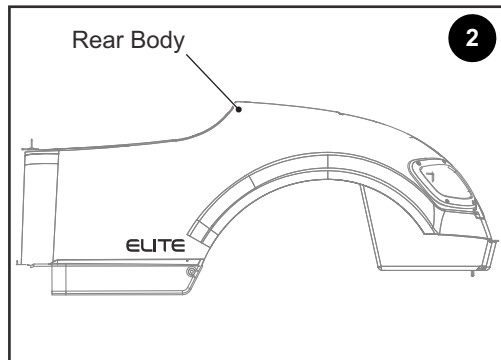
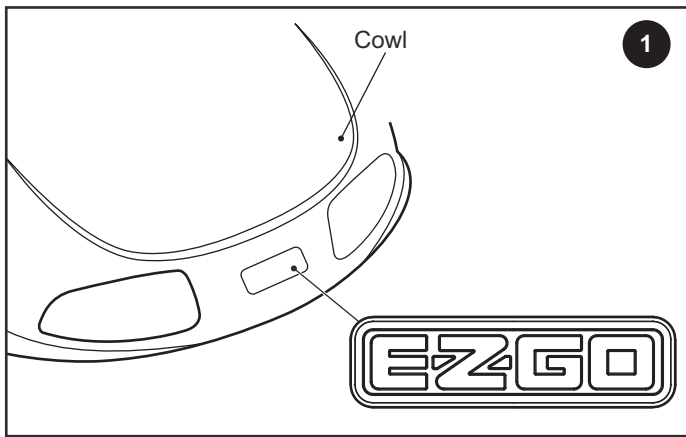
When ordering parts, please specify the model and serial number of the product.

\* Indicates a component that is not available as an individual part.

\*\*\* Indicates consult Customer Service Department for additional information.

ITEM	PART NO.	1 2 3 4 5	DESCRIPTION	QTY.
1	647042		Wheel and Tire Assembly (Machine Alloy) (Includes Items 2 - 5) .....	4
2	*		Wheel, 10" .....	1
3	647044		Tire (Kenda), 205/50 - 10" .....	1
4	604915		Valve Stem (Chrome) .....	1
5	652122		Wheel Cap (Chrome).....	1
6	605310		Lug Nut (Chrome) .....	16
7				
8	74175G01		Dust Cap .....	2
9	14723G1		Lug Nut, 1/2" - 20 .....	16
10				
11	612772		Wheel and Tire Assembly (Hole-N-One) (Includes Items 12 - 14) .....	4
12	*		Wheel, 8" .....	1
13	612771		Tire, 8" .....	1
14	11657G2		Valve Stem .....	1
15				
16	652255		Wheel and Tire Assembly (Kenda) (Includes Items 17 - 19).....	2
17	652989		Tire, 18" x 8.5" - 8".....	1
18	*		Wheel, 8" x 7" .....	1
19	643948		Valve Stem .....	1
20				
21	10013368		Wheel and Tire Assembly (Paramount Radial) (Includes Items 22 - 25).....	4
22	690528		Wheel, Rouge with Mach Face, Black, 12" x 7" .....	1
23	699870		Tire, Paramount, 205/40 R12 .....	1
24	604915		Valve Stem (Chrome) .....	1
25	685275		Wheel Cap (SS), Black.....	1
26	652394		Wheel and Tire Assembly (Kenda) (Includes Items 27 - 29).....	4
27	614438		Tire.....	1
28	*		Wheel, 8" x 7" .....	1
29	643948		Valve Stem .....	1
30	665149		Wheel Cover (Metallic Gold) .....	1
31	665144		Wheel Cover (Metallic Silver).....	1

# DECALS AND LABELS



## DECALS AND LABELS

THE USE OF NON U.L. PARTS WILL VOID ANY U.L. LISTING.

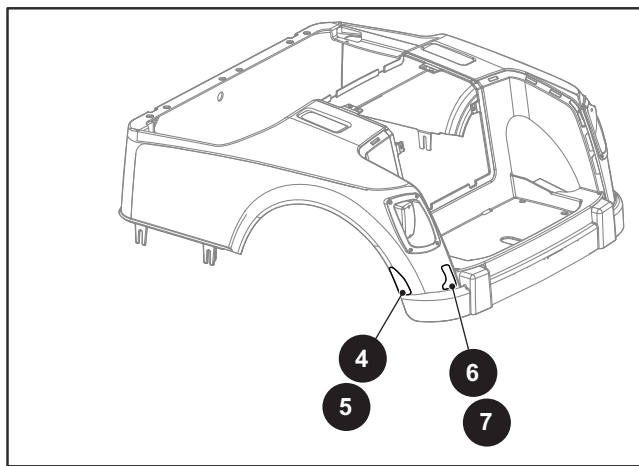
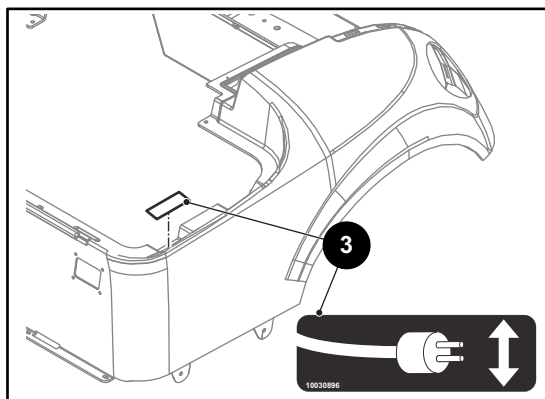
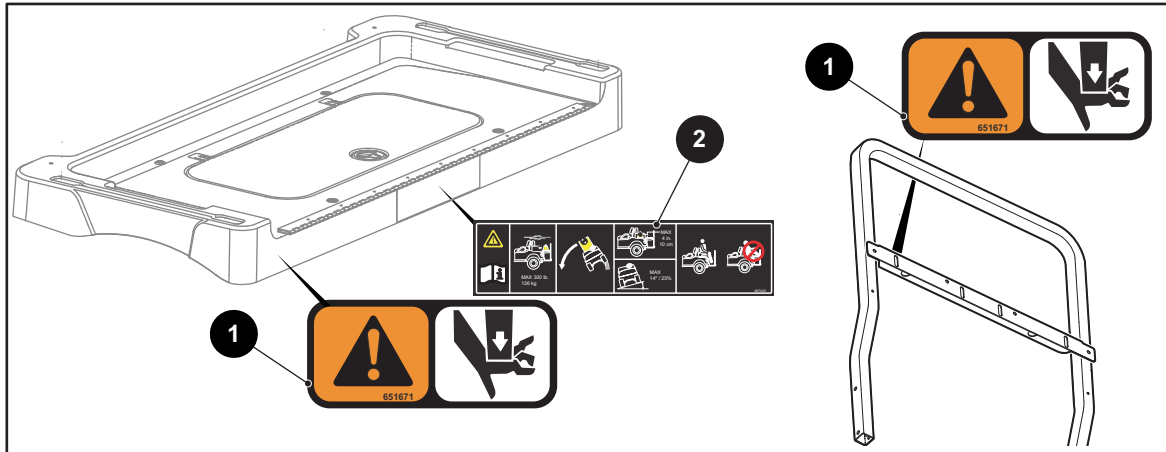
When ordering parts, please specify the model and serial number of the product.

\* Indicates a component that is not available as an individual part.

\*\*\* Indicates consult Customer Service Department for additional information.

ITEM	PART NO.	1 2 3 4 5	DESCRIPTION	QTY.
1	10011930		E-Z-GO Name Plate (Platinum) .....	1
2	10007728		Elite Branding Decal.....	2
3	664789		Steering Wheel Warning Label (For Freedom & Shuttle 2+2).....	1
4	657850		Advanced Battery Decal.....	1
5	685698		Decal, Made in USA (For Freedom & Shuttle 2+2) .....	1
6	608991		Yellow Reflector (For Freedom & Shuttle 2+2).....	2
7	10005569		Patent Label .....	1

# DECALS AND LABELS



## DECALS AND LABELS

THE USE OF NON U.L. PARTS WILL VOID ANY U.L. LISTING.

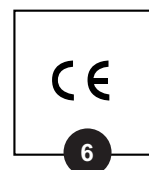
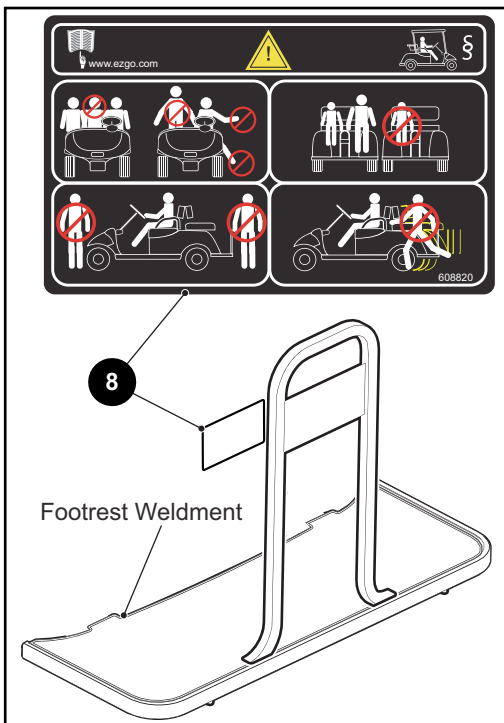
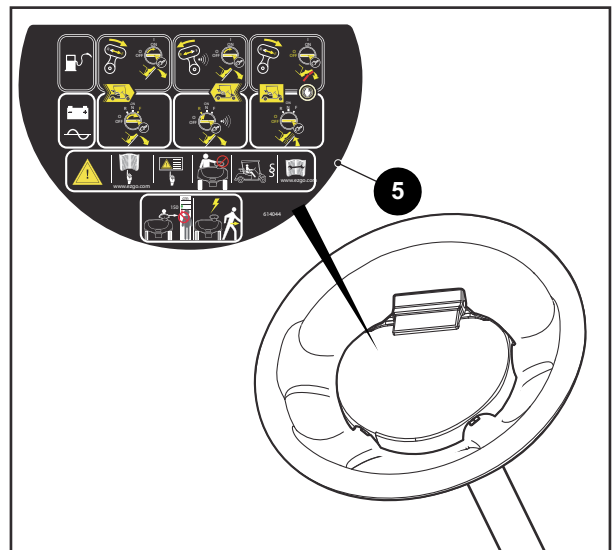
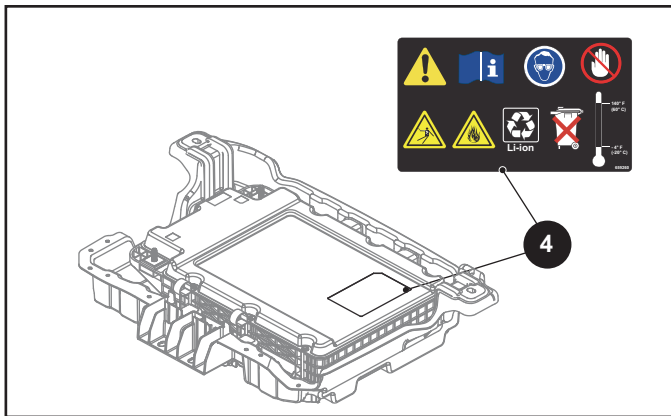
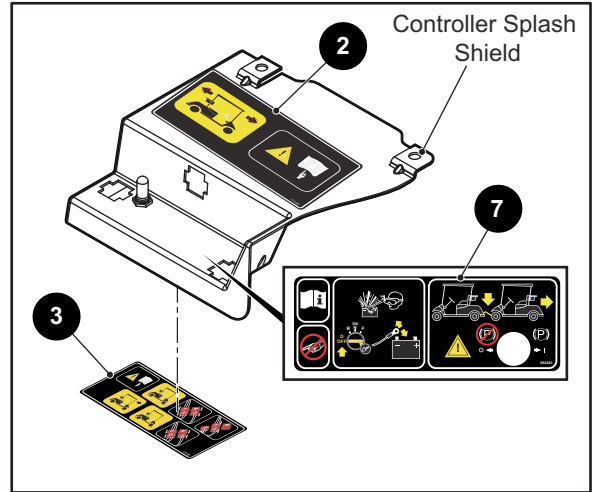
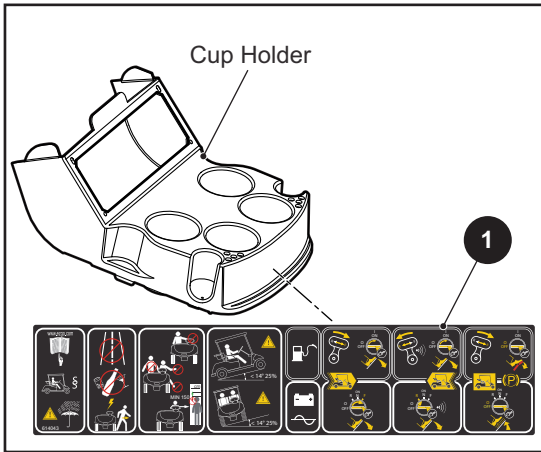
When ordering parts, please specify the model and serial number of the product.

\* Indicates a component that is not available as an individual part.

\*\*\* Indicates consult Customer Service Department for additional information.

ITEM	PART NO.	1 2 3 4 5	DESCRIPTION	QTY.
1	651671		Pinch Warning Decal (For Shuttle 2+2 Only) .....	2
2	697425		Rear Seat Label (For Shuttle 2+2 Only).....	1
3	10030896		Charger Cord Routing Label .....	1
4	608993		Side Reflector (Red) (Driver Side) (For Freedom and Shuttle 2+2).....	1
5	608996		Side Reflector (Red) (Passenger Side) (For Freedom and Shuttle 2+2) .....	1
6	625246		Rear Reflex Reflector (Red) (Passenger Side) (For Freedom and Shuttle 2+2)	1
7	625244		Rear Reflex Reflector (Red) (Driver Side) (For Freedom and Shuttle 2+2).....	1

## FOR CE VEHICLES





## DECALS AND LABELS

THE USE OF NON U.L. PARTS WILL VOID ANY U.L. LISTING.

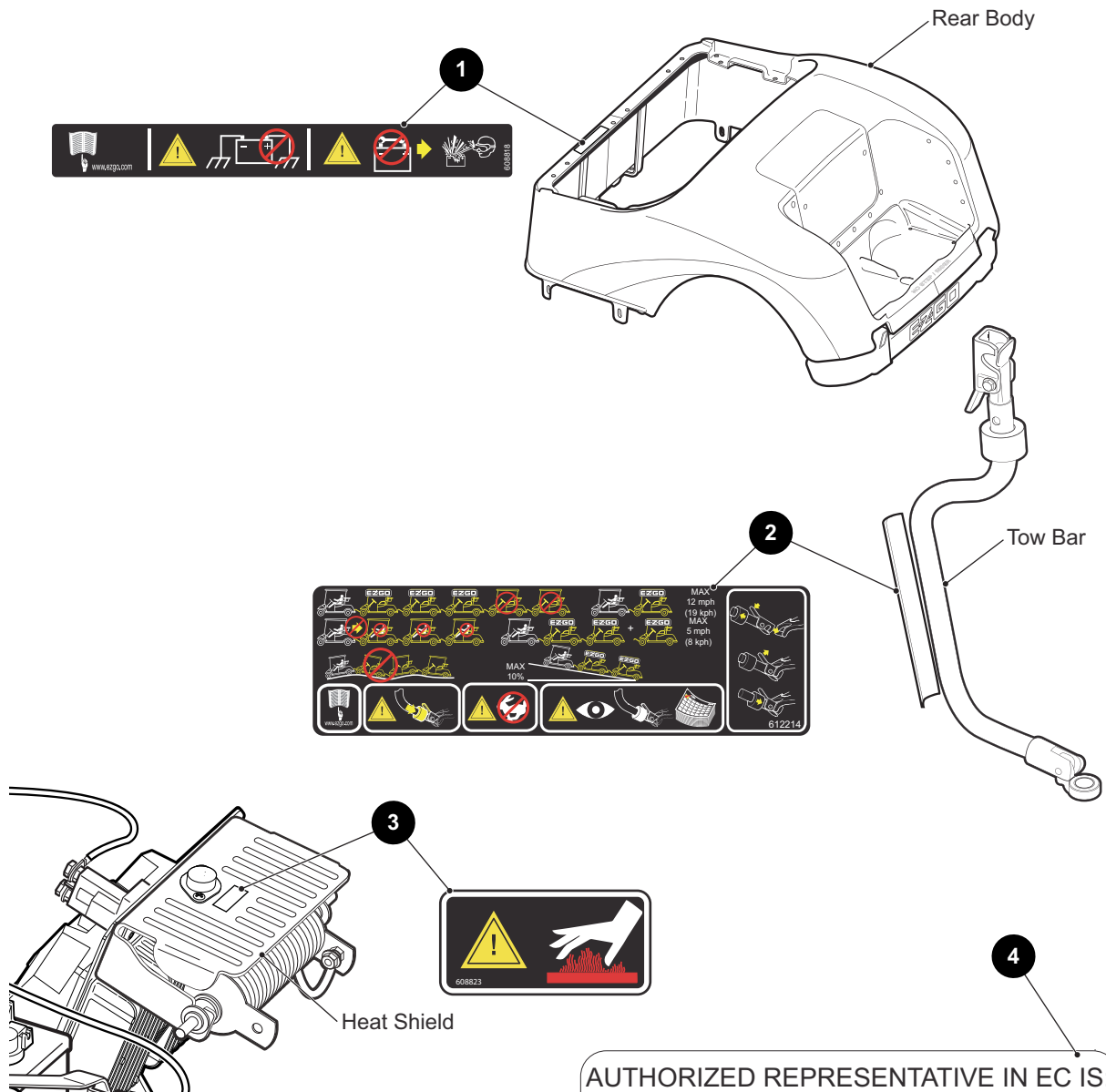
When ordering parts, please specify the model and serial number of the product.

\* Indicates a component that is not available as an individual part.

\*\*\* Indicates consult Customer Service Department for additional information.

ITEM	PART NO.	1 2 3 4 5	DESCRIPTION	QTY.
1	614043		Warning Label (Instrument Panel) .....	1
2	610991		Towing/Maintenance Label.....	1
3	610990		Towing Instruction Notice Label .....	1
4	659260		Advanced Battery Warning Label .....	1
5	614044		Steering Wheel Label.....	1
6	601783		CE Decal .....	1
7	664283		Run/Tow Label, CE .....	1
8	608820		Shuttle 2+2 Label (For Shuttle 2+2 Only).....	1

## FOR CE VEHICLES



AUTHORIZED REPRESENTATIVE IN EC IS:  
RANSOMES JACOBSEN FRANCE  
3 Chemin des silos  
ZI du Chapitre  
31100 Toulouse

614068

## DECALS AND LABELS

THE USE OF NON U.L. PARTS WILL VOID ANY U.L. LISTING.

When ordering parts, please specify the model and serial number of the product.

\* Indicates a component that is not available as an individual part.

\*\*\* Indicates consult Customer Service Department for additional information.

ITEM	PART NO.	1 2 3 4 5	DESCRIPTION	QTY.
1	608818		Grounding Label.....	1
2	612214		Towbar Label (For Fleet and Freedom).....	1
3	608823		Hot Decal, CE .....	1
4	*		Authorized Representative Decal (CE) .....	1







**TEXTRON SPECIALIZED VEHICLES, INC.**

1451 Marvin Griffin Road  
Augusta, Georgia 30906 - 3852  
USA

**CONTACT INFORMATION**

**North America:**

Technical Assistance & Warranty:

Phone: 1-800-774-3946, FAX: 1-800-448-8124

Service Parts Phone:

1-888-GET-E-Z-GO (1-888-438-3946), FAX: 1-800-752-6175

**International:**

Phone: 001-706-798-4311, FAX: 001-706-771-4609

Service Manuals are available for purchase from a local Distributor, an authorized Branch, Genuine E-Z-GO Parts & Accessories Department or at [www.shopezgo.com](http://www.shopezgo.com).

Copyrighted Material

This manual may not be reproduced in whole or in part without the express permission of the manufacturer.